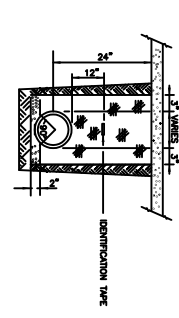
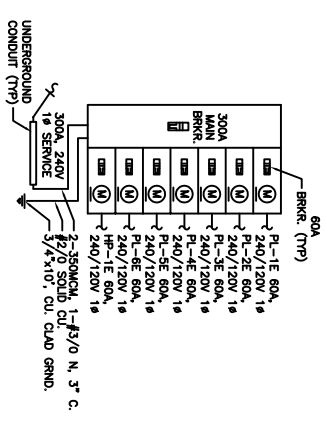


ELECTRICAL NOTES

1. ALL WORK SHALL COMPLY TO THE LATEST EDITION OF THE NATIONAL ELECTRICAL CODE, THE GOVERNING ELECTRICAL CODE, AND ALL OTHER INSPECTION DEPARTMENTS HAVING JURISDICTION. OBTAIN CERTIFICATES OR APPROVAL WHERE REQUIRED.
2. ALL MATERIALS FURNISHED SHALL BE NEW AND SHALL BE U.L. LISTED.
3. THE RANGES, INDICATE SIZE AND GENERAL LOCATION OF WORK. SIZE RANGES SHALL NOT BE USED. THE EXACT LOCATION AND ELEVATION OF ALL LIGHTING FIXTURES, REFRIGERATORS AND TELEPHONE EX. LOCATIONS IS DETERMINED BY ACTUAL CONDITIONS ON THE FIELD. UNLESS OTHERWISE NOTED.
4. PRIOR TO WORKING, CONTRACTOR SHALL VISIT THE JOB SITE AND FAMILIARIZE THEMSELVES WITH THE EXISTING CONDITIONS.
5. ELECTRICAL CONTRACTOR SHALL COORDINATE HIS WORK WITH OTHER CONTRACTORS WHOSE WORK MAY AFFECT THIS INSTALLATION.
6. ELECTRICAL CONTRACTOR SHALL COORDINATE INCOMING ELECTRICAL SERVICE WITH UTILITY COMPANY AND INCLUDE IN HIS BID, ALL CHARGES AND FEES INCURRED IN INSPECTIONS.
7. WHERE MORE THAN ONE SWITCH OCCURS IN THE SAME LOCATION, THEY SHALL BE INSTALLED IN A GANG TYPE BOX UNDER ONE COVER PLATE.
8. ELECTRICAL CONTRACTOR SHALL COORDINATE THE TELEPHONE INSTALLATION WITH THE TELEPHONE COMPANY AND THE GENERAL CONTRACTOR.
9. ELECTRICAL CONTRACTOR, BEFORE INSTALLING ANY OF THE WORK, SHALL SEE THAT IT DOES NOT INTERFERE WITH CLEARANCES REQUIRED FOR HUNG CEILING, HANGING OF LIGHTS, OR OTHER WORK. CONTRACTOR SHALL BE RESPONSIBLE FOR OBTAINING ALL NECESSARY PERMITS AND APPROVALS. CONTRACTOR SHALL MAINTAIN ALL PERMITS AND APPROVALS AS TO PERMIT THE INSTALLATION OF THE ARCHITECTURAL WORK AS SHOWN ON THE PLANS AND DETAILS.
10. PERSONAL TEST REQUIRED BY THE OWNER OR THE ENGINEER IN CONNECTION WITH THE OPERATION OF THE ELECTRICAL SYSTEM IN THE BUILDING.
11. ALL TESTS SHALL BE MADE IN ACCORDANCE WITH THE LATEST STANDARD OF THE IEEE, AND THE NATIONAL ELECTRICAL CODE.
12. MINIMUM CONDUCTOR SIZE SHALL BE #12, 600V INSULATION, MINIMUM SIZE CONDUIT SHALL BE 3/4" EMT FOR INTERIOR USE AND 3/4" RIGID ALUMINUM FOR EXTERIOR USE. USE THE FOLLOWING TABLE FOR CONDUCTOR SIZES. CONDUIT SHALL BE 1/2" ABOVE CEILING IN THE UNCONDITIONED SPACES.
13. CONTRACTOR SHALL INSTALL WIRING AND OTHER CIRCUIT COMPONENTS TO MATCH EQUIPMENT ACTUALLY INSTALLED.
14. INSTALL GROUND FAULT RECEPTACLES AT RECEPTACLE LOCATIONS WITHIN 5' OF SINKS OR LAVATORIES, AND AT EXTERIOR LOCATIONS. EXTERIOR RECEPTACLES SHALL ALSO BE WEATHERPROOF.
15. BONDING AND GROUNDING SHALL BE IN ACCORDANCE WITH NFPA 70:250-235.
16. FUSES SHALL BE TT CLASS ICS, 250 VOLT, 200,000 AMP INTERRUPTING CAP.
17. PROVIDE SERVICES OF A FIRE/SMOKE DETECTION & ALARM COMPANY TO DESIGN & INSTALL ALARM SYSTEM TO MEET REQUIREMENTS OF THE STATE FIRE MARSHAL.
18. ALL ELECTRICAL, MECHANICAL, & PLUMBING PENETRATING THE WALLS SHALL BE FIRE CALLED. (PENETRATIONS THROUGH RATED CONSTRUCTION SHALL BE SEALED WITH A MATERIAL CAPABLE OF PREVENTING THE PASSAGE OF FLAMES AND HOT GASES WHEN TESTED IN ACCORDANCE WITH ASTM-E814).
19. ALL J BOXES FOR EXTERIOR SPONS SHALL BE INSIDE BUILDING.



PLANET STORAGE
DAMMON ENGINEERING, INC.
 1095 FLORIDA AVENUE 985-649-5882 SLIDELL, LA. 70468
 DAMMONENGINEERING.COM

SITE POWER PLAN
 JEFF BRELAND
 64287 HWY 41
 PEARL RIVER, LOUISIANA