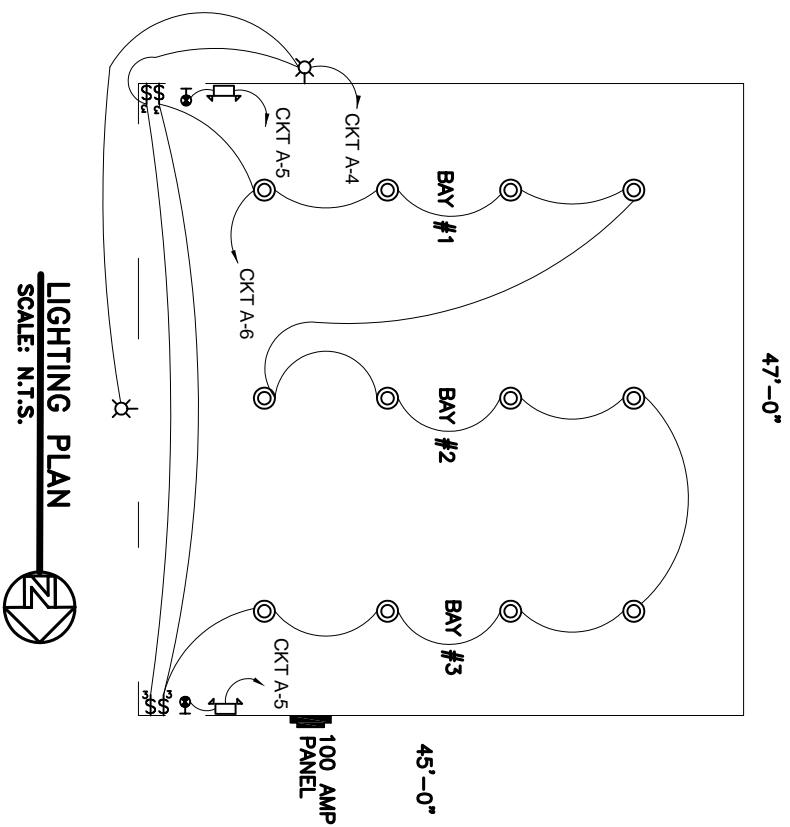
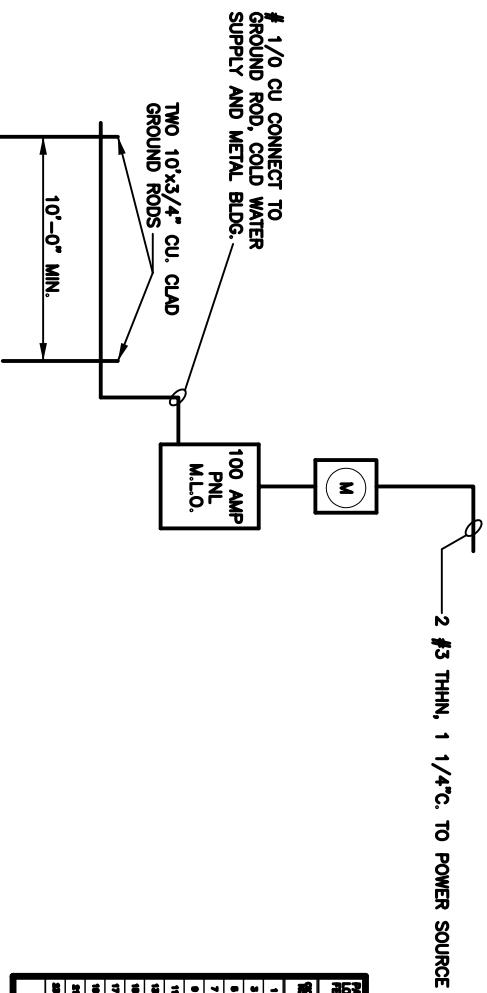


POWER PLAN
SCALE: N.T.S.



LIGHTING PLAN
SCALE: N.T.S.



ELECTRICAL RISER DIAGRAM
N.T.S.

CIRCUIT		CIRCUIT		CIRCUIT		CIRCUIT		CIRCUIT		CIRCUIT		CIRCUIT		CIRCUIT		CIRCUIT		CIRCUIT		CIRCUIT	
NO.	DESCRIPTION	NO.	DESCRIPTION	NO.	DESCRIPTION	NO.	DESCRIPTION	NO.	DESCRIPTION	NO.	DESCRIPTION	NO.	DESCRIPTION	NO.	DESCRIPTION	NO.	DESCRIPTION	NO.	DESCRIPTION	NO.	DESCRIPTION
1	EMERGENCY LIGHT W/ 90 MIN. BATTERY BACK-UP	21	EMERGENCY LIGHT W/ 90 MIN. BATTERY BACK-UP	41	EMERGENCY LIGHT W/ 90 MIN. BATTERY BACK-UP	61	EMERGENCY LIGHT W/ 90 MIN. BATTERY BACK-UP	81	EMERGENCY LIGHT W/ 90 MIN. BATTERY BACK-UP	101	EMERGENCY LIGHT W/ 90 MIN. BATTERY BACK-UP	121	EMERGENCY LIGHT W/ 90 MIN. BATTERY BACK-UP	141	EMERGENCY LIGHT W/ 90 MIN. BATTERY BACK-UP	161	EMERGENCY LIGHT W/ 90 MIN. BATTERY BACK-UP	181	EMERGENCY LIGHT W/ 90 MIN. BATTERY BACK-UP	201	EMERGENCY LIGHT W/ 90 MIN. BATTERY BACK-UP
2	EXT LIGHT W/ 90 MIN. BATTERY BACK-UP	22	EXT LIGHT W/ 90 MIN. BATTERY BACK-UP	42	EXT LIGHT W/ 90 MIN. BATTERY BACK-UP	62	EXT LIGHT W/ 90 MIN. BATTERY BACK-UP	82	EXT LIGHT W/ 90 MIN. BATTERY BACK-UP	102	EXT LIGHT W/ 90 MIN. BATTERY BACK-UP	122	EXT LIGHT W/ 90 MIN. BATTERY BACK-UP	142	EXT LIGHT W/ 90 MIN. BATTERY BACK-UP	162	EXT LIGHT W/ 90 MIN. BATTERY BACK-UP	182	EXT LIGHT W/ 90 MIN. BATTERY BACK-UP	202	EXT LIGHT W/ 90 MIN. BATTERY BACK-UP
3	3 WAY SWITCH	23	3 WAY SWITCH	43	3 WAY SWITCH	63	3 WAY SWITCH	83	3 WAY SWITCH	103	3 WAY SWITCH	123	3 WAY SWITCH	143	3 WAY SWITCH	163	3 WAY SWITCH	183	3 WAY SWITCH	203	3 WAY SWITCH
4	HIGH PRESSURE SODIUM LIGHTS	24	HIGH PRESSURE SODIUM LIGHTS	44	HIGH PRESSURE SODIUM LIGHTS	64	HIGH PRESSURE SODIUM LIGHTS	84	HIGH PRESSURE SODIUM LIGHTS	104	HIGH PRESSURE SODIUM LIGHTS	124	HIGH PRESSURE SODIUM LIGHTS	144	HIGH PRESSURE SODIUM LIGHTS	164	HIGH PRESSURE SODIUM LIGHTS	184	HIGH PRESSURE SODIUM LIGHTS	204	HIGH PRESSURE SODIUM LIGHTS
5	METAL HALIDE LIGHTS	25	METAL HALIDE LIGHTS	45	METAL HALIDE LIGHTS	65	METAL HALIDE LIGHTS	85	METAL HALIDE LIGHTS	105	METAL HALIDE LIGHTS	125	METAL HALIDE LIGHTS	145	METAL HALIDE LIGHTS	165	METAL HALIDE LIGHTS	185	METAL HALIDE LIGHTS	205	METAL HALIDE LIGHTS
6	GF/WEATHERPROOF RECEPTACLE	26	GF/WEATHERPROOF RECEPTACLE	46	GF/WEATHERPROOF RECEPTACLE	66	GF/WEATHERPROOF RECEPTACLE	86	GF/WEATHERPROOF RECEPTACLE	106	GF/WEATHERPROOF RECEPTACLE	126	GF/WEATHERPROOF RECEPTACLE	146	GF/WEATHERPROOF RECEPTACLE	166	GF/WEATHERPROOF RECEPTACLE	186	GF/WEATHERPROOF RECEPTACLE	206	GF/WEATHERPROOF RECEPTACLE
7	POWER PANEL	27	POWER PANEL	47	POWER PANEL	67	POWER PANEL	87	POWER PANEL	107	POWER PANEL	127	POWER PANEL	147	POWER PANEL	167	POWER PANEL	187	POWER PANEL	207	POWER PANEL

LEGEND

- ⊞ - EMERGENCY LIGHT W/ 90 MIN. BATTERY BACK-UP
- ⊕ - EXT LIGHT W/ 90 MIN. BATTERY BACK-UP
- ⊞ - 3 WAY SWITCH
- ⊞ - HIGH PRESSURE SODIUM LIGHTS
- ⊞ - METAL HALIDE LIGHTS
- ⊞ - GF/WEATHERPROOF RECEPTACLE
- ⊞ - POWER PANEL

ELECTRICAL NOTES

1. ALL WORK SHALL CONFORM TO THE LATEST EDITION OF THE NATIONAL ELECTRICAL CODE, THE GOVERNING ELECTRICAL CODE, AND ALL OTHER INSPECTION DEPARTMENTS HAVING JURISDICTION. OBTAIN CERTIFICATES OR APPROVAL WHERE REQUIRED.
2. ALL MATERIALS FURNISHED SHALL BE NEW AND SHALL BE U.L. LISTED.
3. THE DRAWINGS INDICATE SIZE AND GENERAL LOCATION OF WORK. SCALE DIMENSIONS SHALL NOT BE USED. THE EXACT LOCATION AND ELEVATION OF ALL LIGHTING FIXTURES, RECEPTACLES AND TELEPHONE OUTLETS, ETC. SHALL BE DETERMINED BY ACTUAL CONDITIONS IN THE FIELD, UNLESS NOTED OTHERWISE.
4. PRIOR TO BIDDING, CONTRACTOR SHALL VISIT THE JOB SITE AND FAMILIARIZE THEMSELVES WITH THE EXISTING CONDITIONS.
5. ELECTRICAL CONTRACTORS SHALL COORDINATE HIS WORK WITH OTHER TRADES AND WITH OTHER CONTRACTORS WHOSE WORK MAY AFFECT THIS INSTALLATION.
6. ELECTRICAL CONTRACTOR SHALL COORDINATE INCOMING ELECTRICAL SERVICE WITH UTILITY COMPANY AND INCLUDE IN HIS BID ALL CHARGES AND FEES INCURRED IN MODIFICATIONS.
7. WHERE MORE THAN ONE SWITCH OCCURS IN THE SAME LOCATION, THEY SHALL BE INSTALLED IN A GANG TYPE BOX UNDER ONE COVER PLATE.
8. ELECTRICAL CONTRACTOR SHALL COORDINATE THE TELEPHONE INSTALLATION WITH THE TELEPHONE COMPANY AND THE GENERAL CONTRACTOR.
9. ELECTRICAL CONTRACTOR, BEFORE INSTALLING ANY OF THE WORK, SHALL SEE THAT WORK DOES NOT INTERFERE WITH CLEARANCES REQUIRED FOR FINISHED CEILINGS, HUNG CEILING LIGHT FIXTURES, HUNG CEILING TELEPHONE OUTLETS, ETC. SUCH DETAILS OR DESIGN CANNOT BE FOLLOWED. THE CONTRACTOR, AT HIS OWN EXPENSE, SHALL MAKE SUCH CHANGES IN THE WORK AS DIRECTED BY THE ARCHITECT, AS WELL AS TO PERMIT THE INSTALLATION OF THE ARCHITECTURAL WORK AS SHOWN ON THE PLANS AND DETAILS.
10. PERFORM TEST REQUIRED BY THE OWNER OR THE ENGINEER IN CONNECTION WITH THE OPERATION OF THE ELECTRICAL SYSTEM IN THE BUILDING.
11. ALL TESTS SHALL BE MADE IN ACCORDANCE WITH THE LATEST STANDARD OF THE IEEE AND THE NATIONAL ELECTRICAL CODE.
12. MINIMUM CONDUCTOR SIZE SHALL BE #12, 600V INSULATION, MINIMUM SIZE CONDUIT SHALL BE 1/2" TYPE EMT OR 1" TYPE RSC. ALL RECEPTACLE CIRCUITS SHALL BE 3-WIRE TYPE WITH GROUND. ALL RECEPTACLE CIRCUITS SHALL BE INSTALLED IN AIR CONDITIONED SPACES.
13. CONTRACTOR SHALL INSTALL WIRING AND OTHER CIRCUIT COMPONENTS TO MATCH EQUIPMENT ACTUALLY INSTALLED.
14. INSTALL GROUND FAULT RECEPTACLES AT RECEPTACLE LOCATIONS WITHIN 5' OF SINKS OR LAVATORIES, AND AT EXTERIOR LOCATIONS. EXTERIOR RECEPTACLES SHALL ALSO BE WEATHERPROOF.
15. BONDING AND GROUNDING SHALL BE IN ACCORDANCE WITH NFPA 70:230-63, NFPA 70:230-23, 230-71, & 230-72.
16. GROUND NEUTRAL IN ACCORDANCE WITH NFPA 70:250-23b.
17. FUSES SHALL BE ITT CLASS K5, 250 VOLT, 200,000 AMP INTERRUPTING CAP.
18. PROVIDE SERVICES OF A FIRE/SMOKE DETECTION & ALARM COMPANY TO DESIGN & INSTALL ALARM SYSTEM TO MEET REQUIREMENTS OF THE STATE FIRE MARSHALL.
19. EXTERIOR LIGHTING SHALL BE SHADDED OR INWARDLY DIRECTED IN SUCH A MANNER SO THAT NO DIRECT LIGHTING OR GLARE IS OBSERVED OR REPORTED. THE AGENCY OF SUCH LIGHTING SHALL BE NOTIFIED AND ADVISED OF THE LIGHTING PROPOSED. THE AGENCY SHALL BE NOTIFIED AND ADVISED OF THE LIGHTING PROPOSED. THE AGENCY SHALL BE NOTIFIED AND ADVISED OF THE LIGHTING PROPOSED. THE AGENCY SHALL BE NOTIFIED AND ADVISED OF THE LIGHTING PROPOSED.
20. ALL ELECTRICAL MECHANICAL & PLUMBING PENETRATING FIRE PARTITIONS SHALL BE FIRE CALLED (PENETRATIONS THROUGH RATED CONSTRUCTION SHALL BE SEALED WITH A MATERIAL CAPABLE OF PREVENTING THE PASSAGE OF FLAMES AND HOT GASES WHEN TESTED IN ACCORDANCE WITH ASTM-E814.)

<p>U.S. FISH & WILDLIFE SERVICE</p> <p>DAMMON ENGINEERING, INC.</p> <p>1095 FLORIDA AVENUE 985-649-5892 SLIDELL, LA. 70458</p> <p>DAMMONENGINEERING.COM</p>	<p>POWER/LIGHTING PLAN</p> <p>U.S. FISH & WILDLIFE SERVICE</p> <p>215 OFFSHORE SHIPYARD ROAD</p> <p>VENICE LA. 70091</p>	<p>SCALE: AS NOTED</p> <p>FILE:</p> <p>JOB NO.</p> <p>DATE: 05-31-07</p> <p>SHEET</p> <p style="font-size: 2em; font-weight: bold;">E-1</p> <p>OF</p>
--	---	---