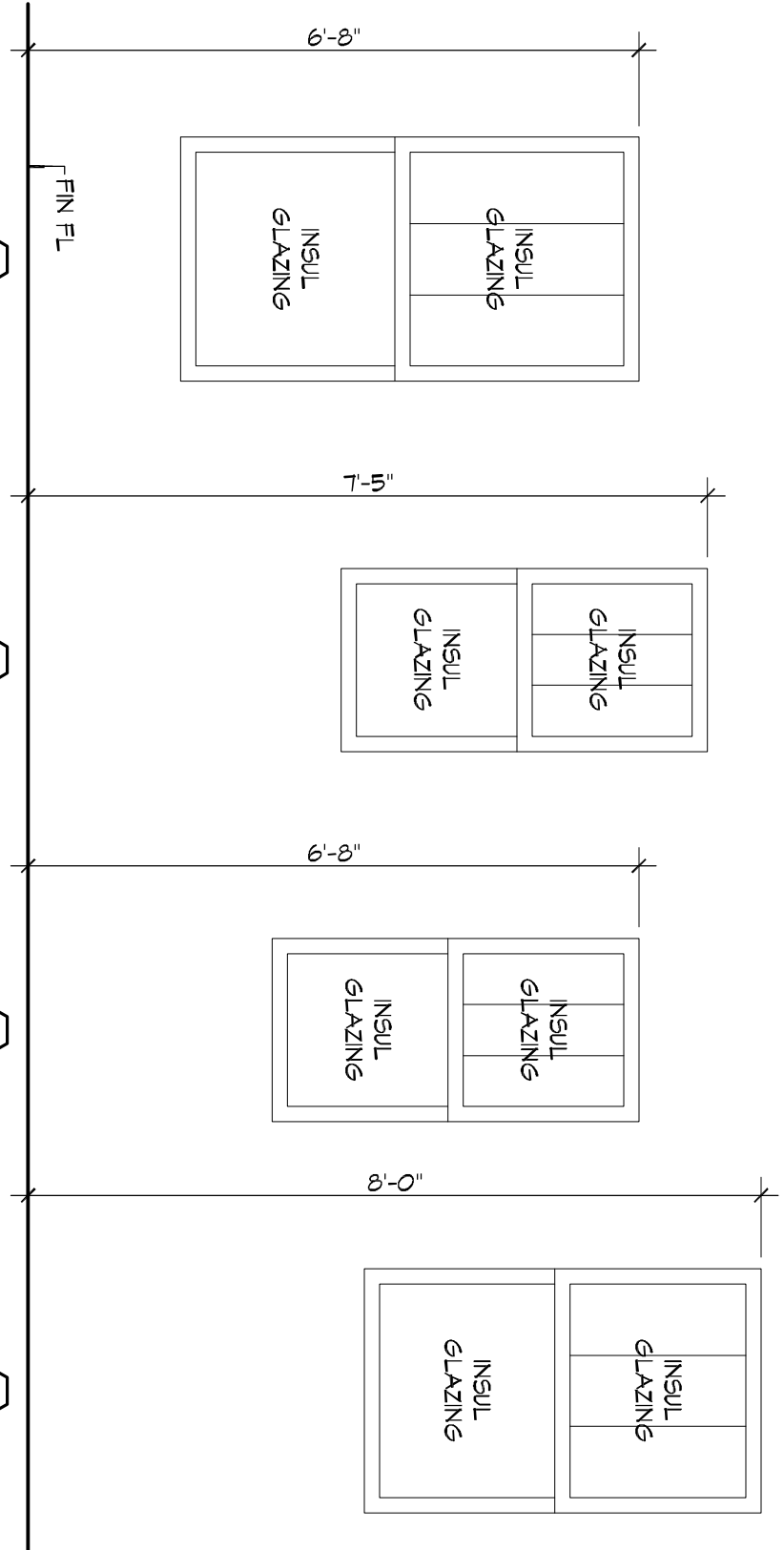
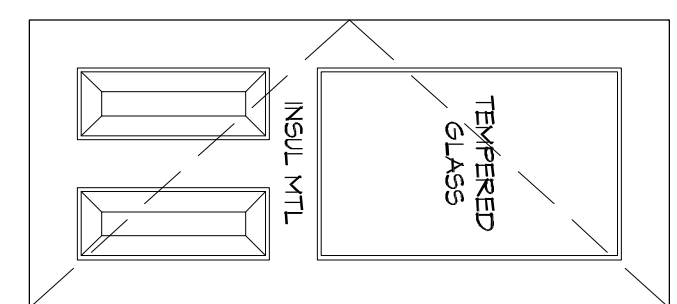


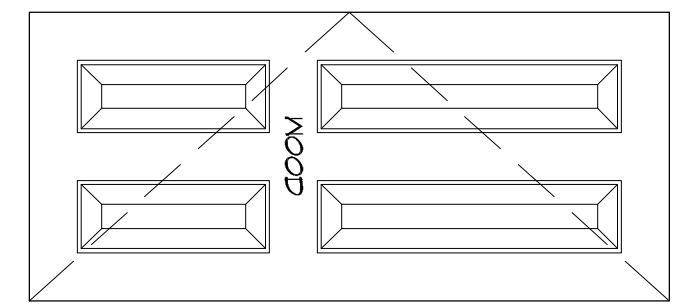
**7 DETAIL**  
SCALE: 1/2" = 1'-0"



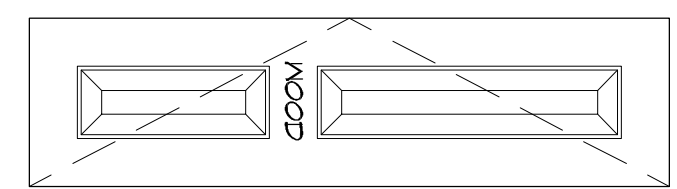
**8 OPENING TYPES - WINDOWS**  
SCALE: 1/2" = 1'-0"



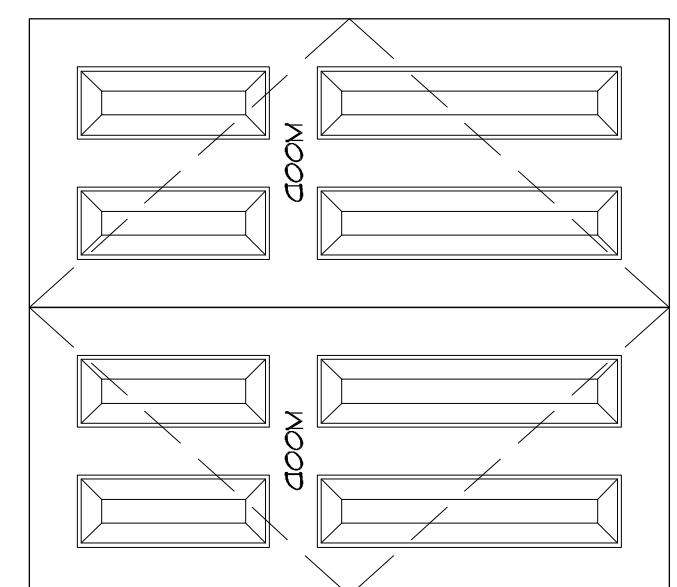
P0



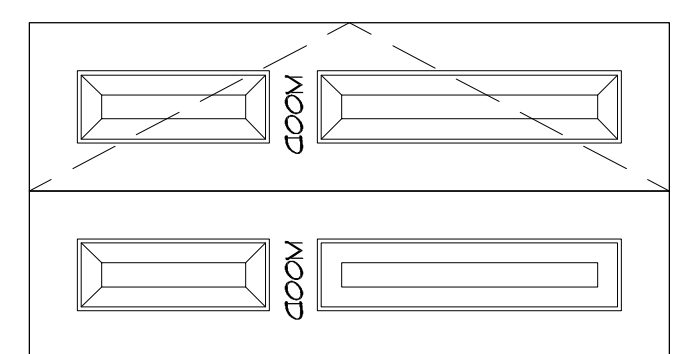
P1



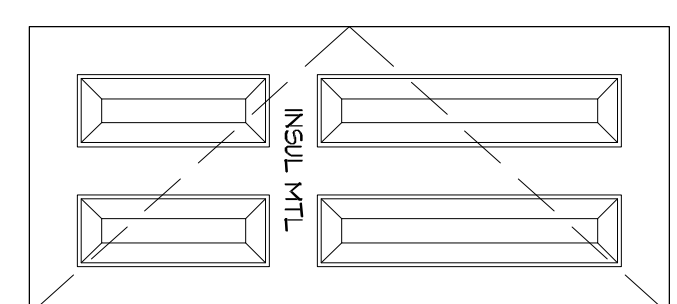
P2



PP1

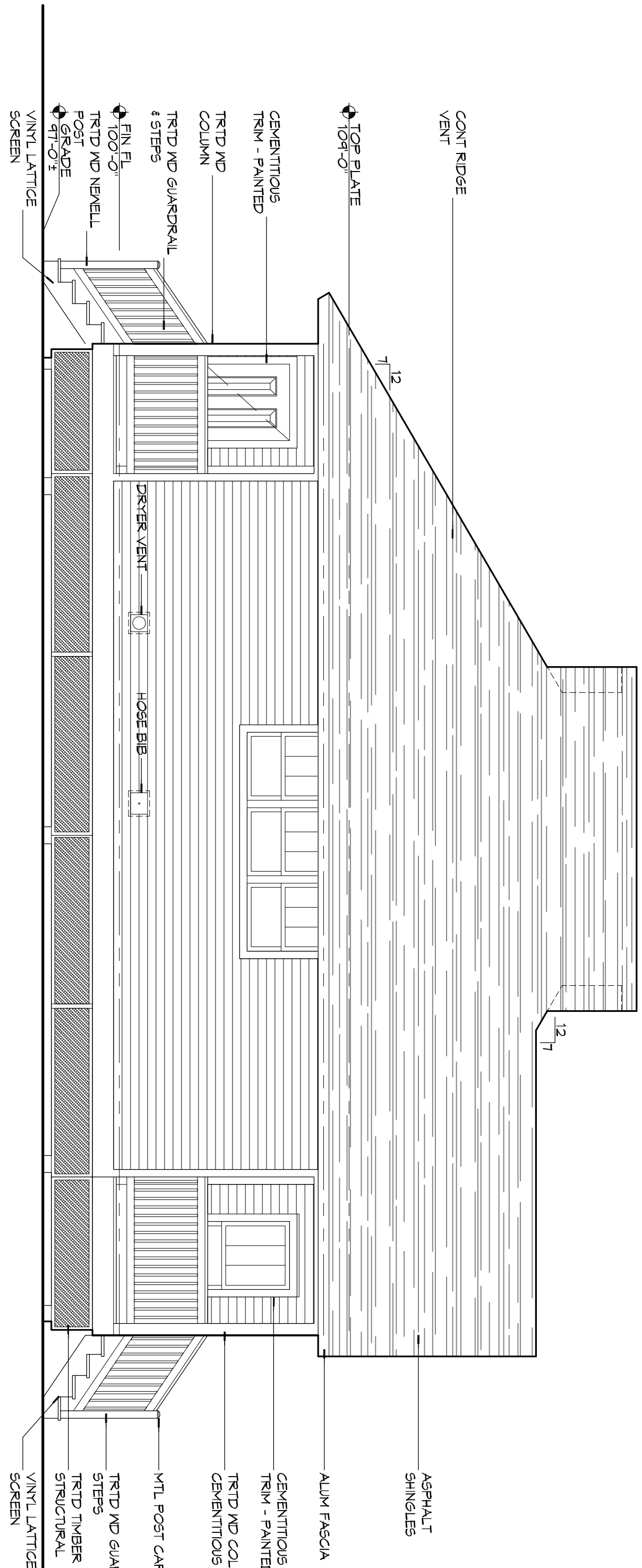


PP2

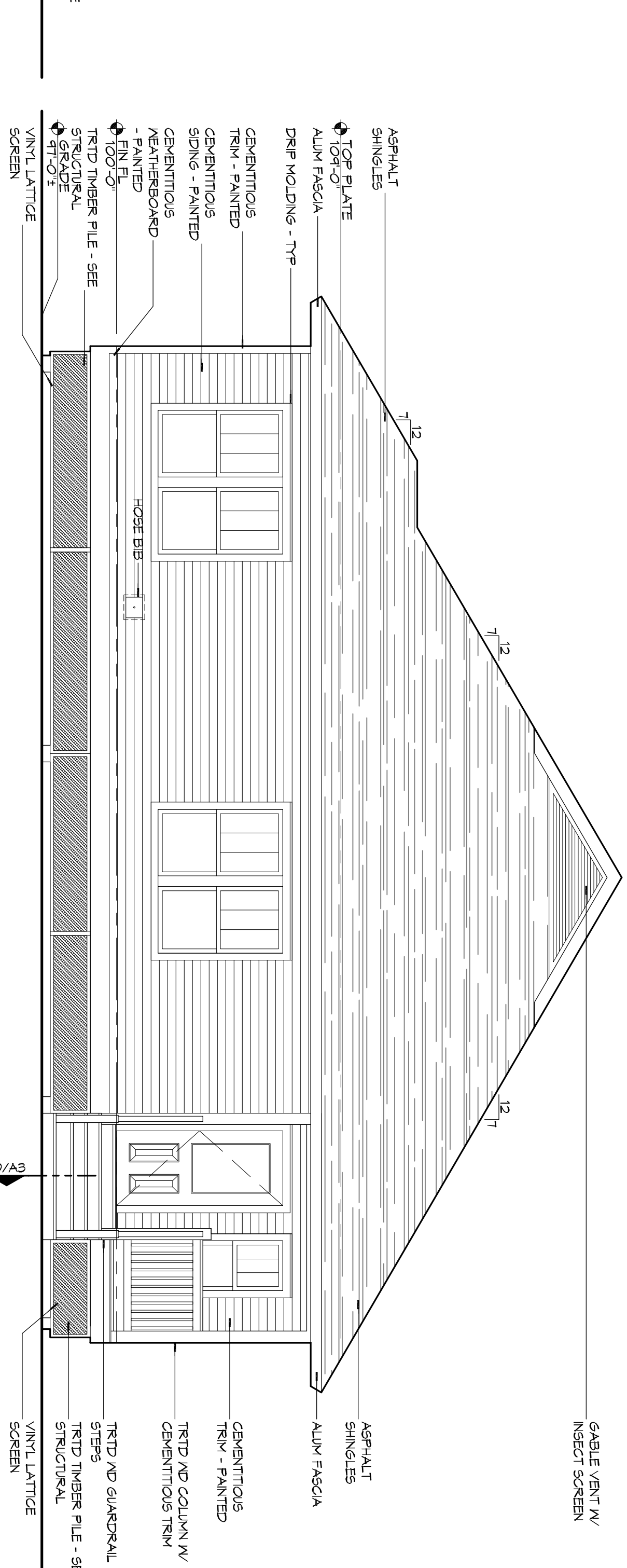


P3

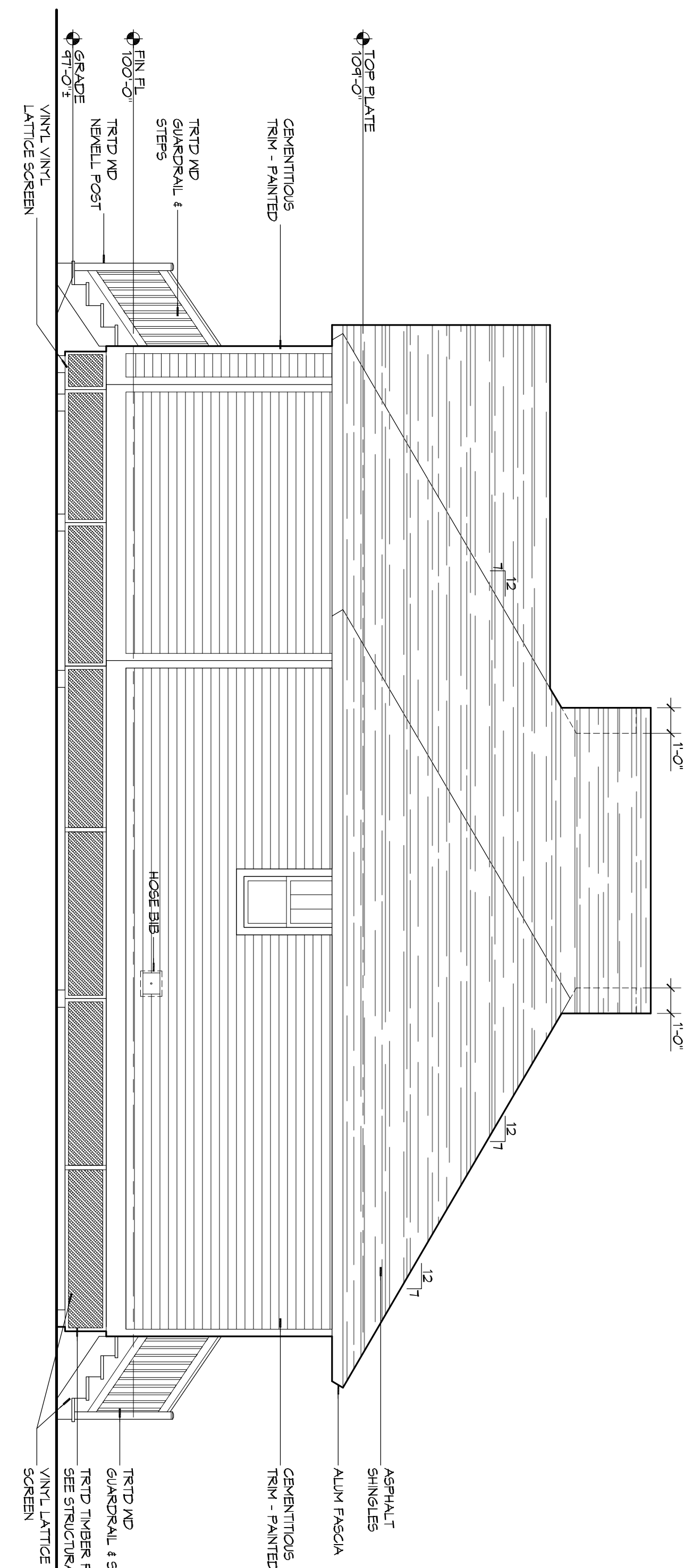
**9 OPENING TYPES - DOORS**  
SCALE: 1/2" = 1'-0"



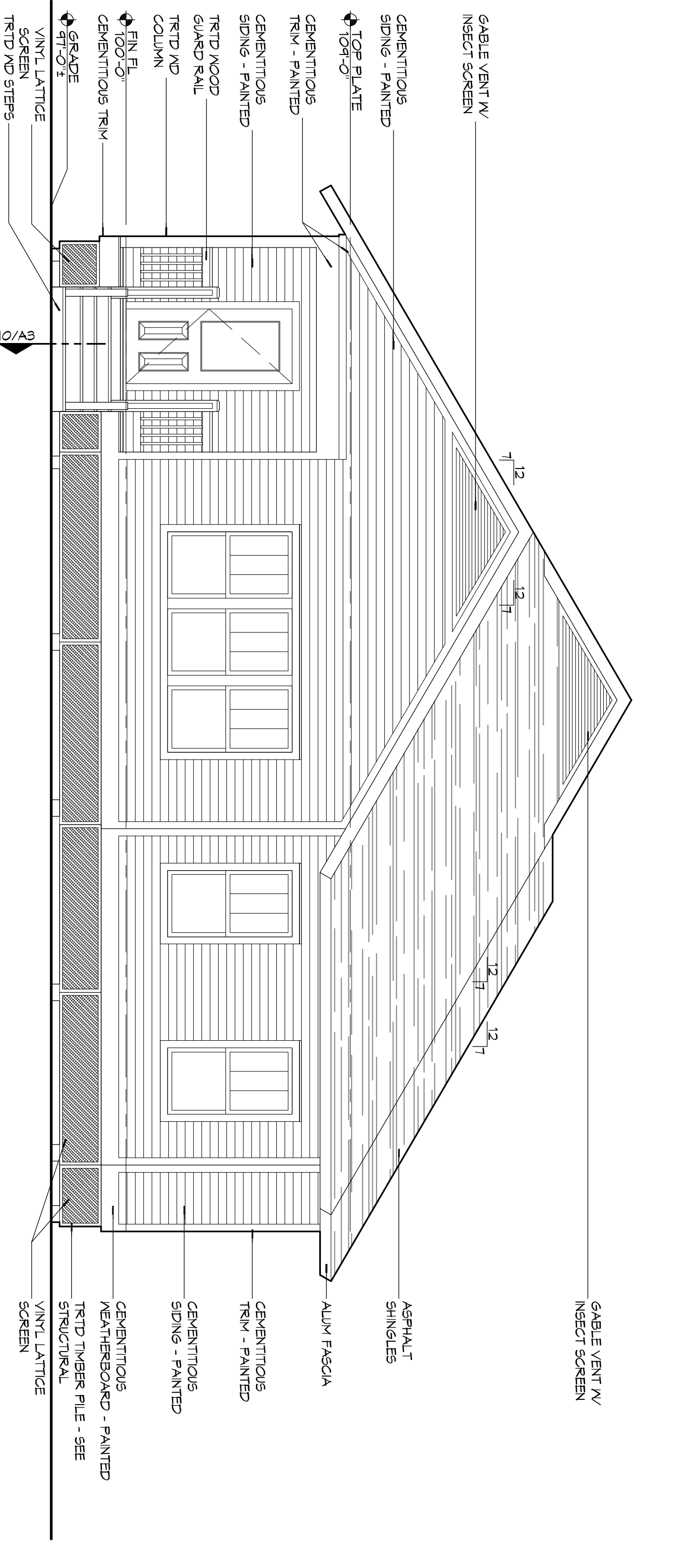
**4 EXTERIOR ELEVATION**  
SCALE: 1/4" = 1'-0"



**3 EXTERIOR ELEVATION**  
SCALE: 1/4" = 1'-0"



**2 EXTERIOR ELEVATION**  
SCALE: 1/4" = 1'-0"



**1 EXTERIOR ELEVATION**  
SCALE: 1/4" = 1'-0"

#	DESCRIPTION	DATE

**DAMMON ENGINEERING, INC.**  
Architects & Engineers

Chief Architect: Kevin J. Kinchen, NCARB  
Chief Engineer: Brian Mistic, PE  
554 Old Spanish Trail  
Slidell, LA 70458

www.dammonengineering.com  
Info@dammonengineering.com  
PH: 985.649.5832  
F: 985.641.5950

**CAMP VILLER NEW HOME CONSTRUCTION**

CAMP VILLER, LOUISIANA

Job No: 2210 DATE: AUGUST 22, 2014

DRAWN BY: K.K. CHECKED BY: K.K.

95% SUBMITTAL NOT FOR CONSTRUCTION

SHEET TITLE:  
EXTERIOR ELEVATIONS,  
OPENING TYPES AND  
DETAIL

DRAWING NUMBER:  
**A2**

SHEET NO.: 6 OF 12