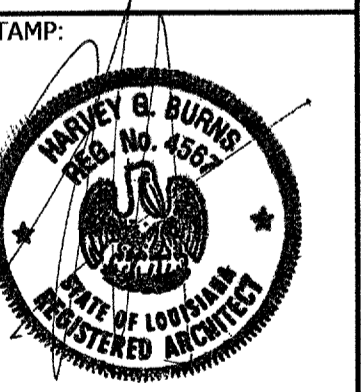


ALL IDEAS, DESIGN, ARRANGEMENTS, DRAWINGS, SPECIFICATIONS, AND NOTATIONS ARE THE PROPERTY OF JAHNCKE & BURNS ARCHITECTS, LLC AND WILL BE KEPT CONFIDENTIAL AND NOT REPRODUCED OR TRANSMITTED IN ANY FORM OR BY ANY MEANS, ELECTRONIC OR MECHANICAL, INCLUDING PHOTOCOPYING, RECORDING, OR BY ANY INFORMATION STORAGE AND RETRIEVAL SYSTEM, WITHOUT THE WRITTEN PERMISSION OF JAHNCKE & BURNS ARCHITECTS, LLC. THESE DOCUMENTS ARE THE PROPERTY OF JAHNCKE & BURNS ARCHITECTS, LLC AND ARE TO BE USED ONLY FOR THE PROJECT AND SITE IDENTIFIED ON THESE DOCUMENTS. COPYRIGHT © 2012

MCMAIN HEALTH CLINIC RENOVATION
AT
ELEANOR MCMAIN SECONDARY HIGH SCHOOL
5712 SOUTH CLAIBORNE AVENUE
NEW ORLEANS, LOUISIANA 70125



REVISION(S):

CONTRACTOR MUST VERIFY AND CHECK ALL JOB DIMENSIONS, DETAILS, AND SPECIFICATIONS ON SITE AND REPORT ANY ERROR, OMISSION, OR DISCREPANCY TO THE ARCHITECT IN WRITING BEFORE PROCEEDING WITH WORK.

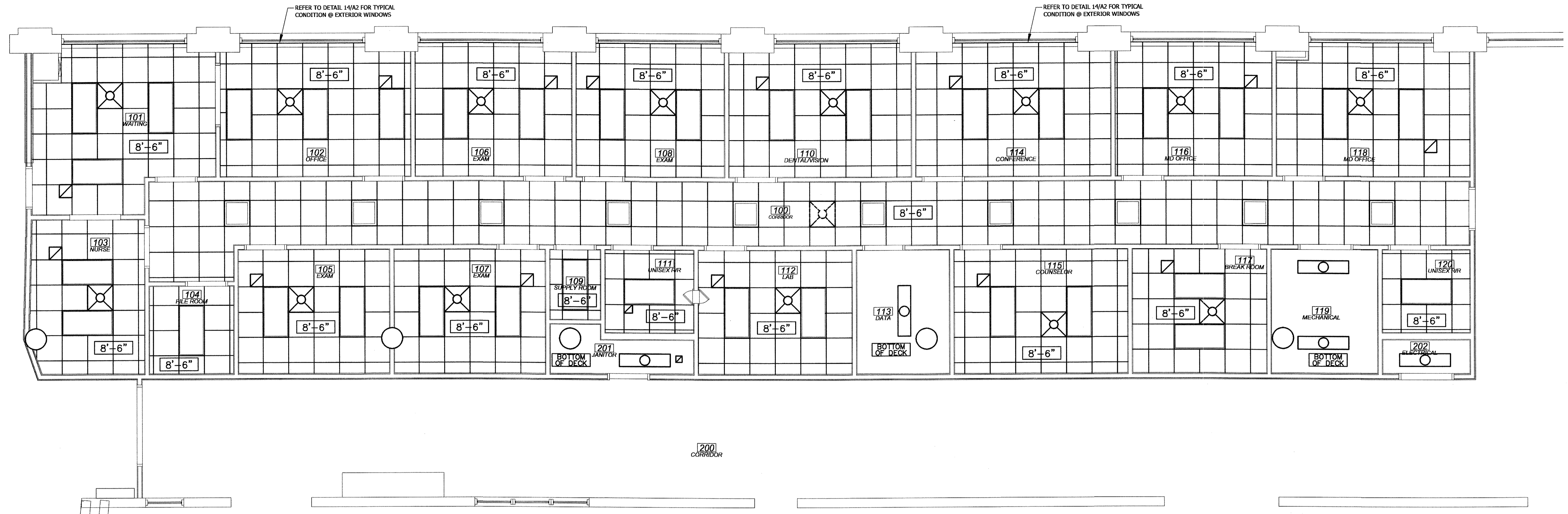
DRAWN BY: JTL/CAO/SGF

CHECKED BY: HGB DATE: 05/11/12

DATE: 05/11/12

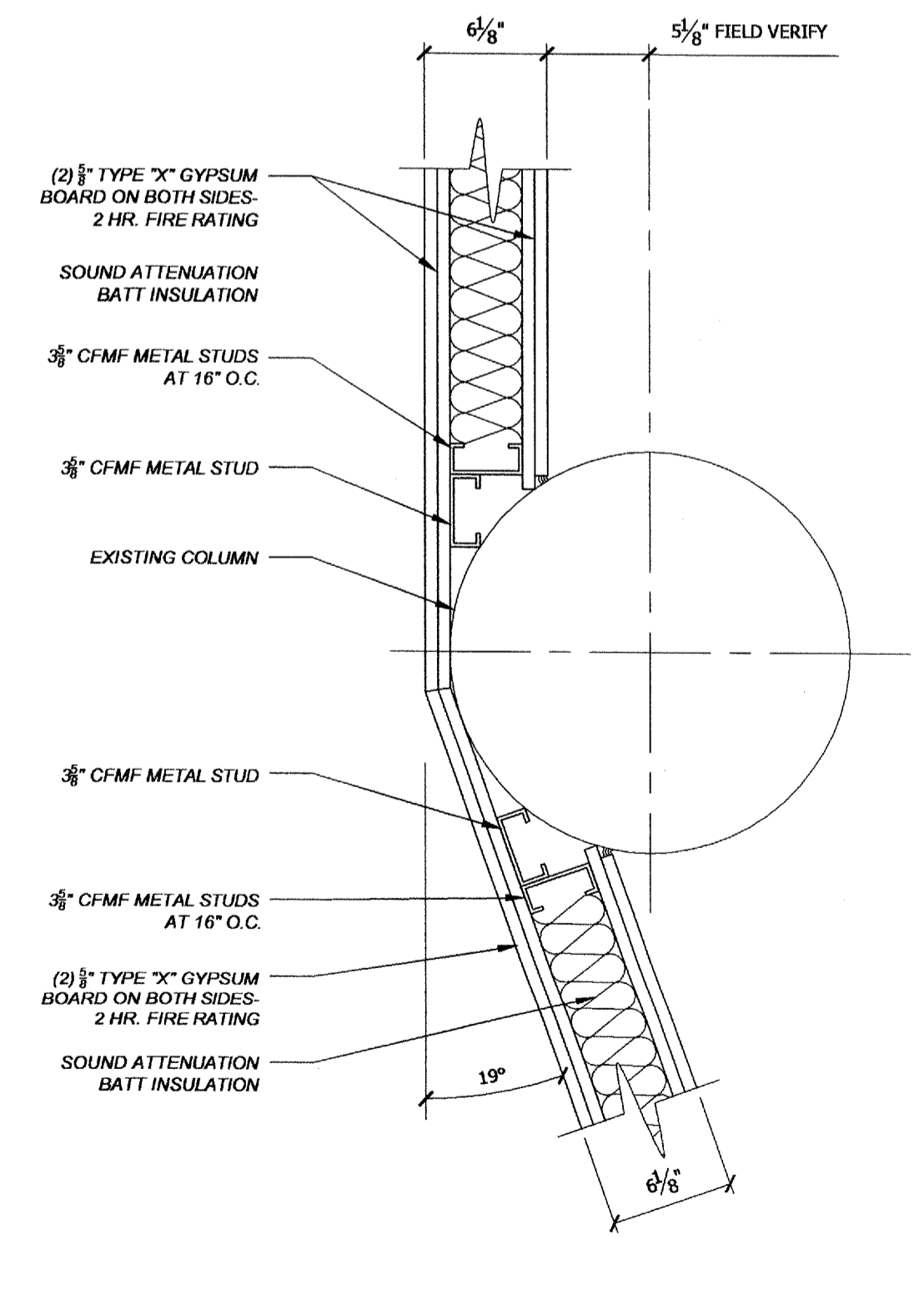
JOB NO: 1007B

SHEET NO: A-3

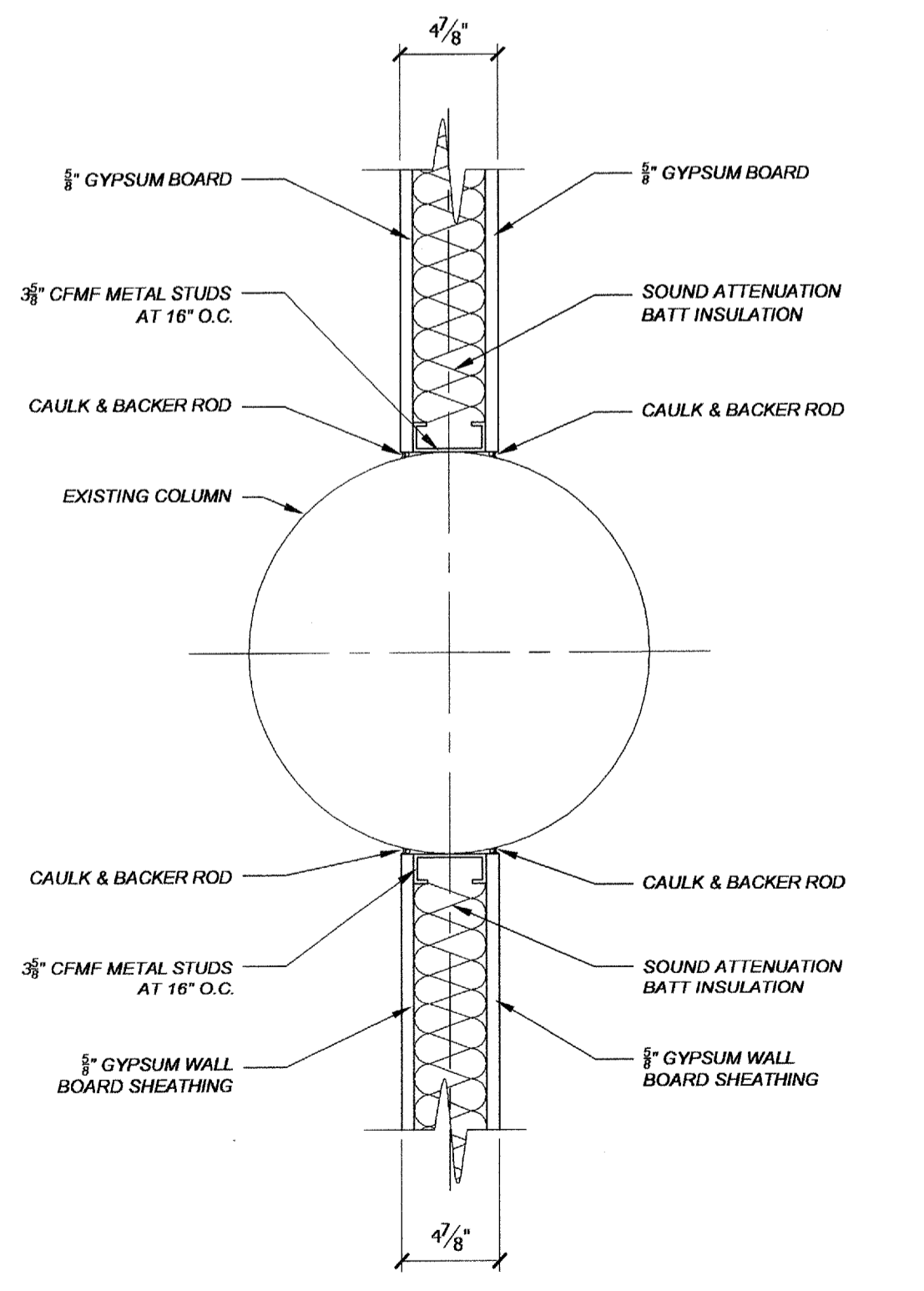


1 REFLECTED CEILING PLAN
SCALE: 1/4" = 1' - 0"

LEGEND		NOTES:	
[101] WAITING	ROOM NAME AND NUMBER	1.	CONTRACTOR TO PROVIDE AND INSTALL HAT CHANNEL FRAMING AND MISCELLANEOUS METAL FRAMING AS REQ'D TO ANY INCIDENTAL LOCATIONS AS REQ'D.
X'-X"	CEILING HEIGHT	2.	REFER TO MECHANICAL AND ELECTRICAL DRAWINGS FOR COORDINATION, LOCATIONS, TYPES AND FURTHER INFORMATION OF MECHANICAL AND ELECTRICAL ITEMS.
[Symbol]	SUPPLY AIR	[Symbol]	2x2 LAY-IN LIGHT FIXTURE
[Symbol]	RETURN AIR	[Symbol]	2x2 ACOUSTICAL CEILING TILES
[Symbol]	VENT	[Symbol]	SUSPENDED LIGHT FIXTURE
[Symbol]	2x4 LAY-IN LIGHT FIXTURE		



2 COLUMN DETAIL
SCALE: 1 1/2" = 1' - 0"



3 COLUMN DETAIL
SCALE: 1 1/2" = 1' - 0"