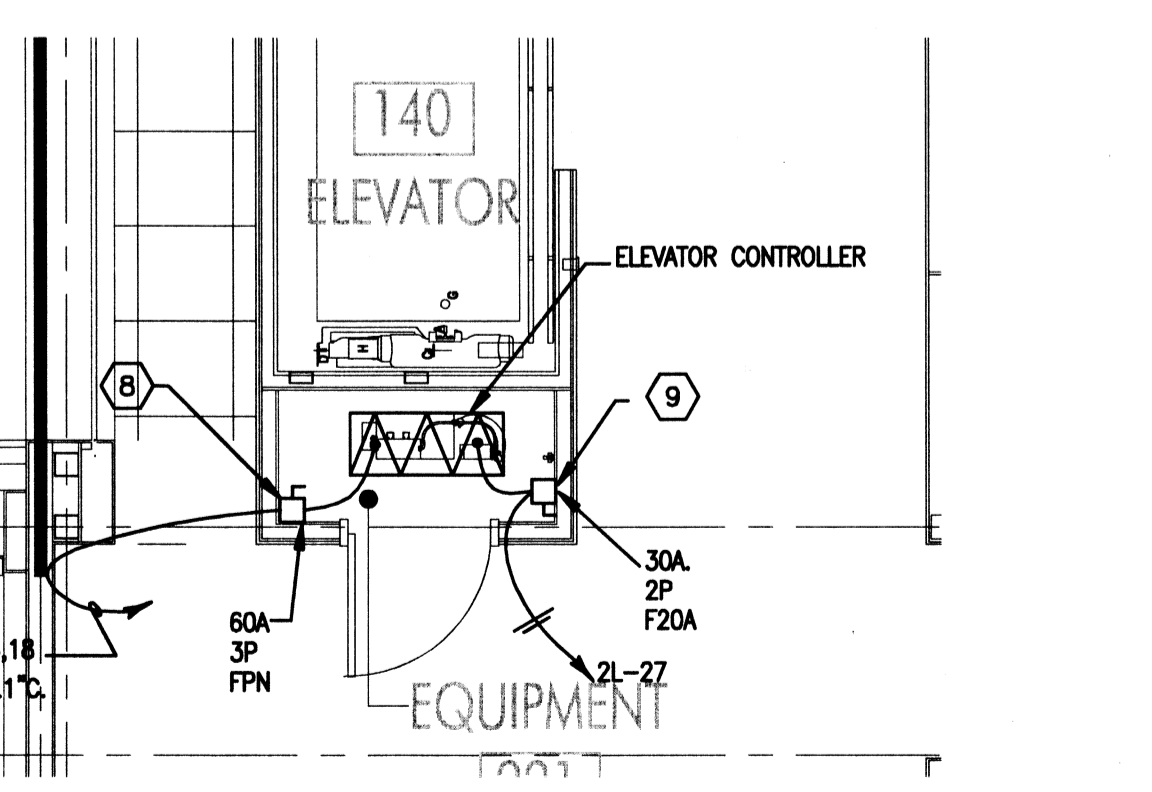
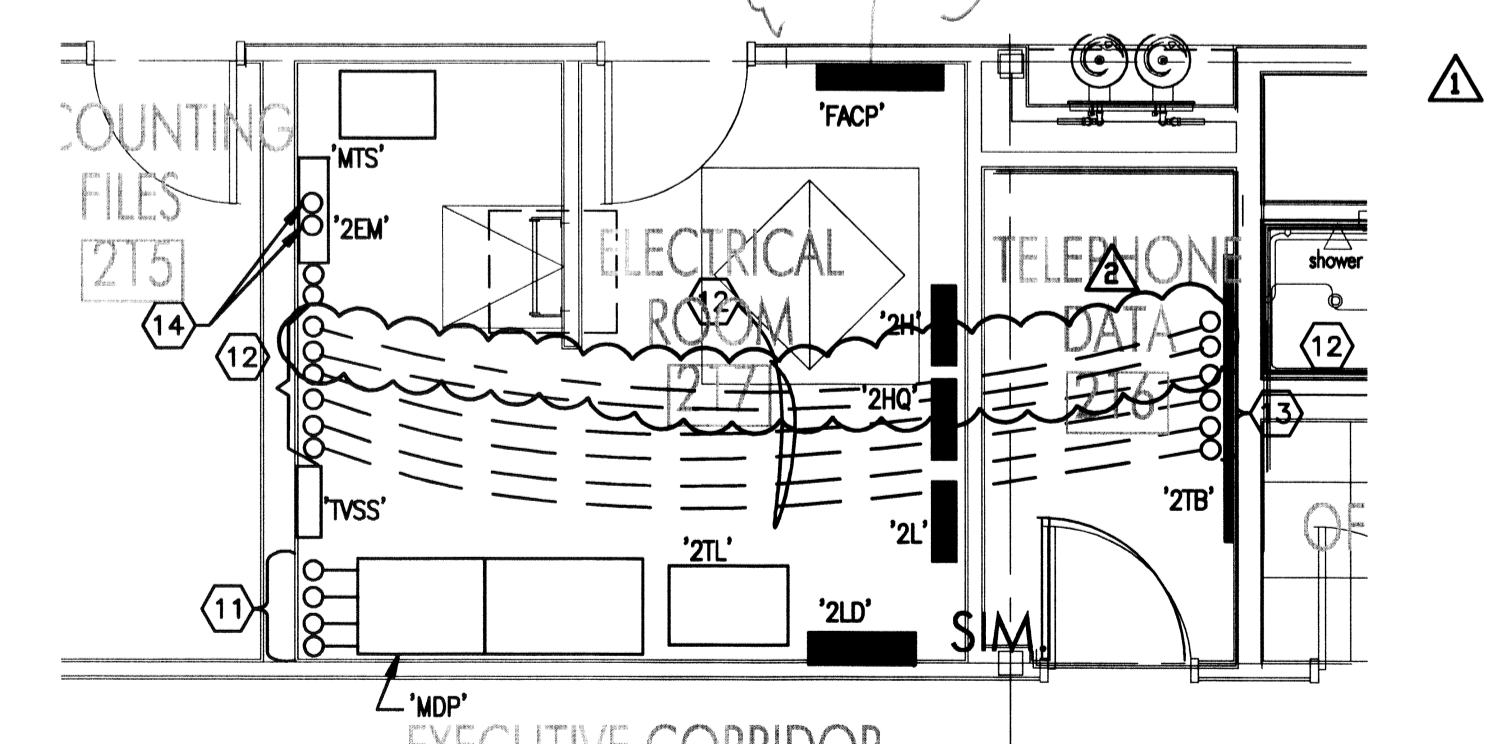


1 SECOND LEVEL POWER PLAN
E-202 1/8" = 1' - 0"



ENLARGED ELEVATOR MACHINE ROOM
1/4" = 1' - 0"



3 ENLARGED ELECTRICAL ROOM
E-202 1/4" = 1' - 0"

SPECIFIC NOTES:

- 1 CONNECT TO THE ELECTRIC WATER COOLERS.
- 2 TELEPHONE BACKBOARD '2TB', SEE SHEET E-302.
- 3 CONNECT THE GFI DUPLEX RECEPTACLE FROM THE LINE SIDE OF THE RECEPTACLE TO THE LIGHTING FIXTURE INDICATED IN THIS ROOM. SEE SHEET E-102.
- 4 MOUNT THE QUAD RECEPTACLES FLUSH WITH THE TELEPHONE BACKBOARD. PROVIDE EXTENSION BOXES AS REQUIRED.
- 5 INSTANTANEOUS WATER HEATER, WH-3, 16.0KW, 277V, 3φ. PROVIDE (2) SEPARATE POWER CONNECTIONS AS INDICATED ON THE DRAWING.
- 6 PROVIDE A 60A, 2P FUSED DISCONNECT SWITCH. FUSE THE SWITCH WITH 40A FUSES. PROVIDE A BAKELITE PHENOLIC NAMEPLATE AT EACH DISCONNECT SWITCH AND THE INSTANTANEOUS WATER HEATER THAT READS, "BOTH DISCONNECT SWITCHES MUST BE TURNED TO THE OFF POSITION BEFORE WORKING ON THE INSTANTANEOUS WATER HEATER".
- 7 FOR ADDITIONAL WORK IN THE ELEVATOR MACHINE ROOM, REFER TO DETAIL 2 ON THIS SHEET.
- 8 PROVIDE BAKELITE PHENOLIC NAMEPLATE FOR THE ELEVATOR POWER DISCONNECT SWITCH THAT READS, "ELEVATOR POWER DISCONNECT".
- 9 PROVIDE BAKELITE PHENOLIC NAMEPLATE FOR THE ELEVATOR CAB LIGHTS THAT READS "ELEVATOR CAB LIGHTS DISCONNECT".
- 10 FOR ELECTRICAL GEAR LAYOUT AND CONDUITS IN THESE ROOMS, SEE DETAIL 3 ON THIS SHEET.
- 11 TURN SWITCHBOARD CONDUITS AND POWER FEEDER INTO THE MAIN CIRCUIT BREAKER SECTION OF THE SWITCHBOARD. PROVIDE TOP HAT FOR SWITCHBOARD IF REQUIRED.
- 12 RISE UP ABOVE THE ACCESSIBLE CEILING WITH (2) 3" TELEPHONE CONDUITS, (2) 2" TV CONDUITS AND (2) 2" WI-FI POS SYSTEM CONDUITS AND EXTEND TO TELEPHONE BACKBOARD '2TB'.
- 13 SEE DETAIL 2/ED03.
- 14 STUB-UP THE (2) 2 1/2" CONDUITS AND THE POWER FEEDER FROM LEVEL 1 CEILING CAVITY INTO PANELBOARD '2EM'.

ASSOCIATED DESIGN GROUP, INC.
 CONSULTING ENGINEERS

CORPORATE OFFICE
 114 Toledo Drive
 Lafayette, Louisiana 70506
 (337) 234-8710

NEW ORLEANS BRANCH
 1010 Common St.
 Suite 2405
 New Orleans, LA 70112
 (504) 561-6333

 Project # 08213