

**Michael
Willis
Architects**



MWA JOB #: 200807

REVISION:
- -

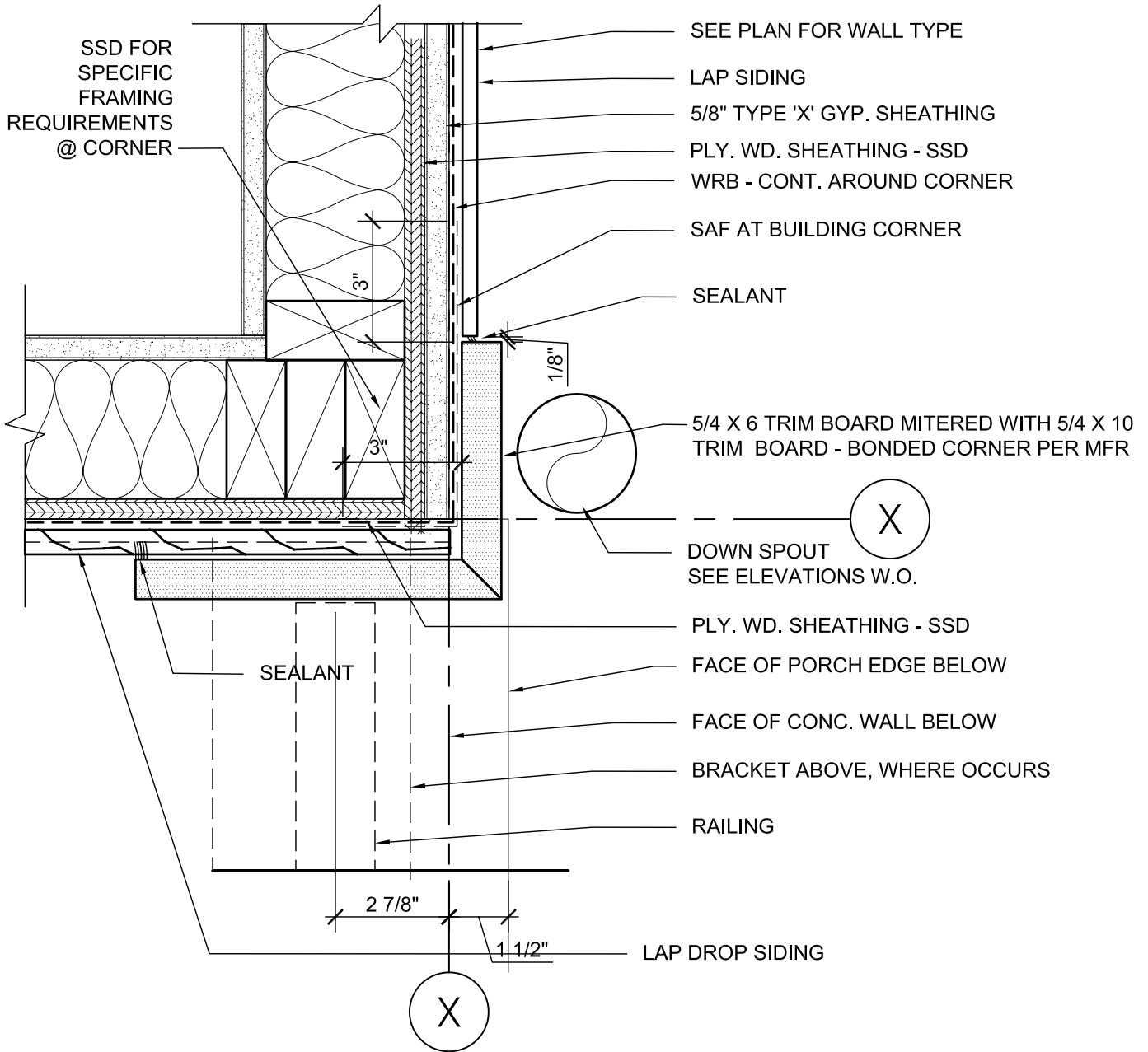
TREME/LAFITTE AND TULANE GRAVIER HOME
BUILDING PLAN
NEW ORLEANS, LOUISIANA

DATE: 10/14/08

SCALE: 3"=1'-0"

SECTION AT WALL CORNER

A520-001



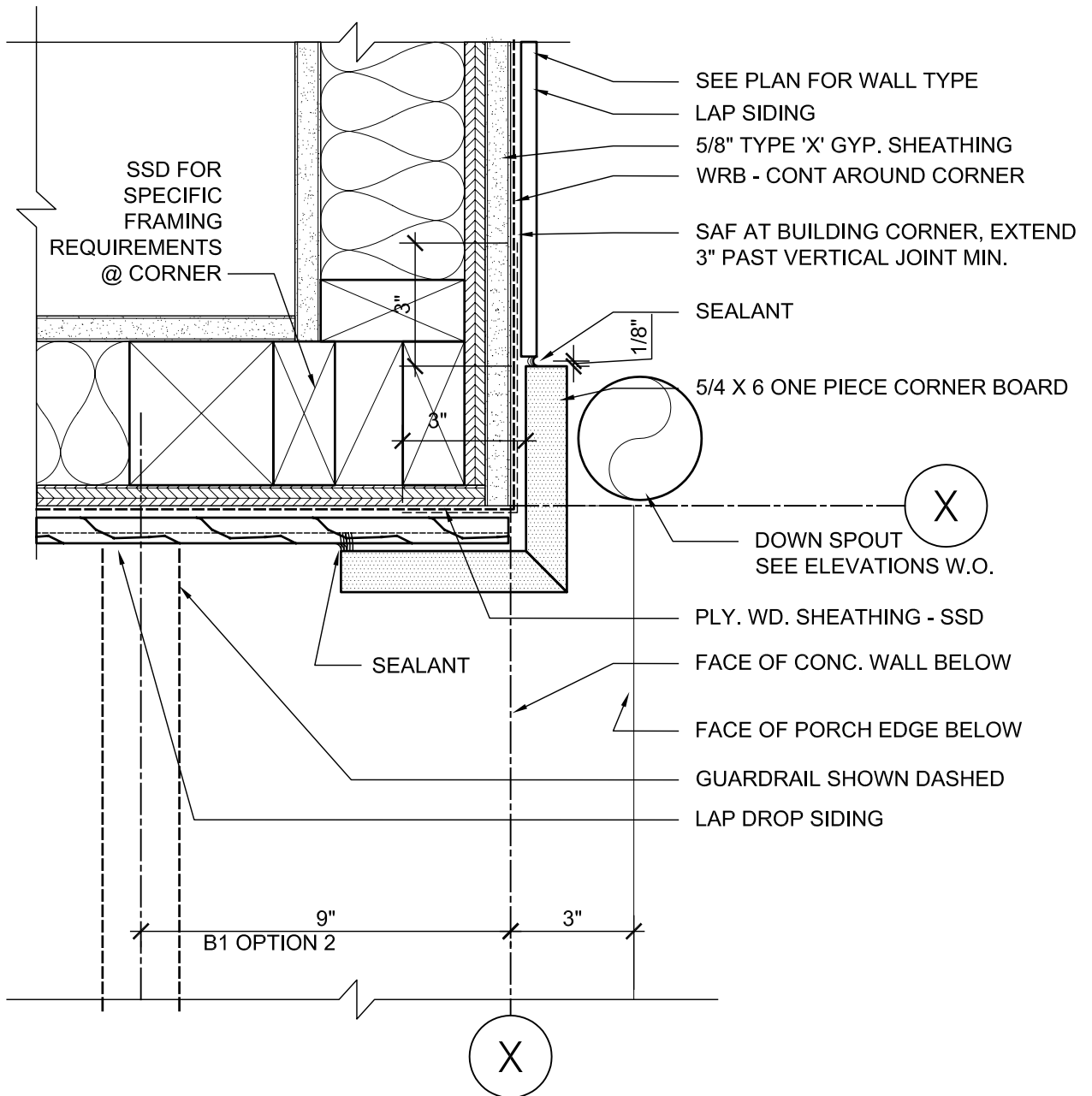
MWA JOB #: 200807
 REVISION: -

TREME/LAFITTE AND TULANE GRAVIER HOME
 BUILDING PLAN
 NEW ORLEANS, LOUISIANA

DATE: 10/14/08
 SCALE: 3"=1'-0"

SECTION @ WALL CORNER

A520 003



MWA JOB #: 200807

REVISION: -

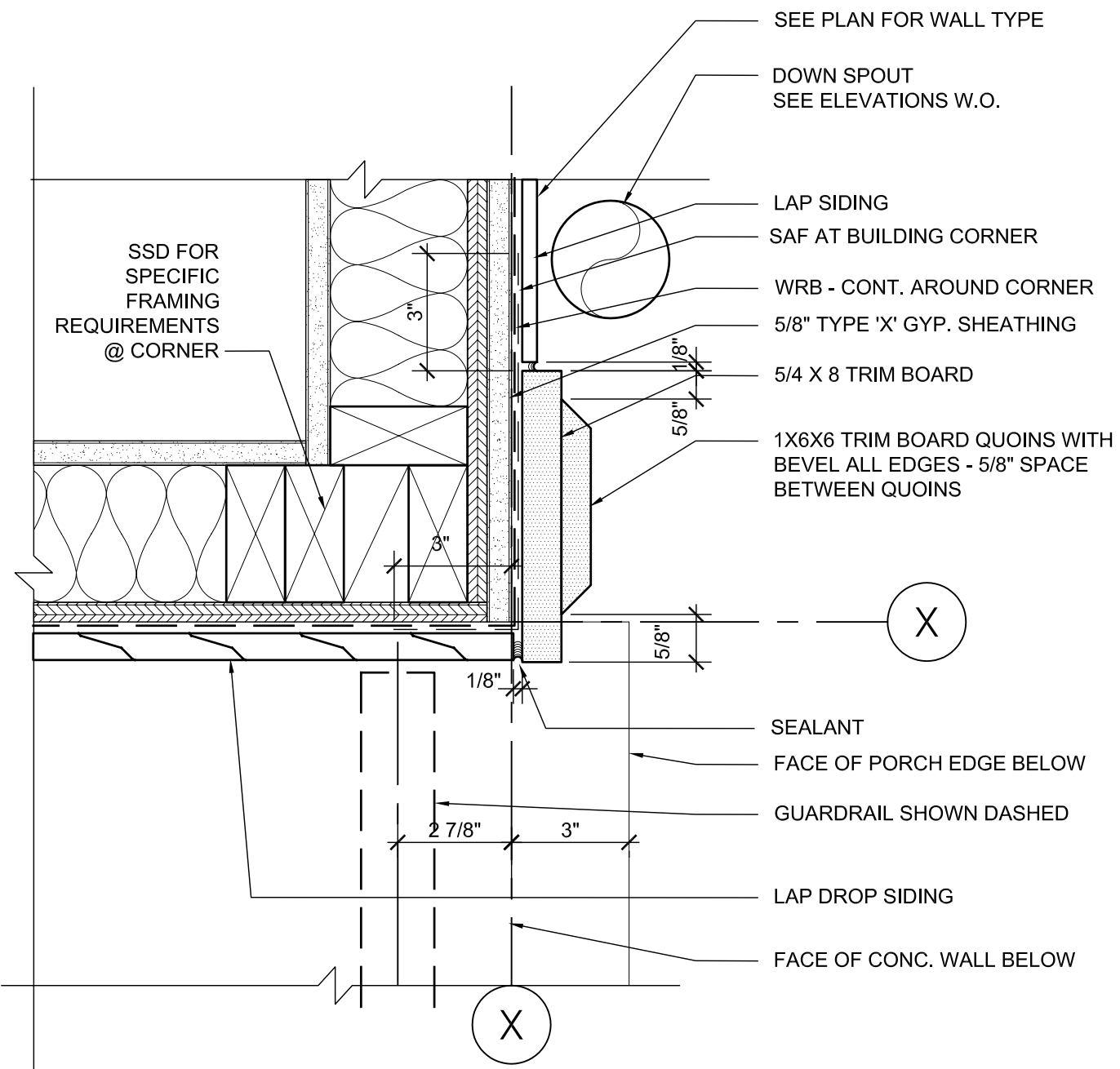
TREME/LAFITTE AND TULANE GRAVIER HOME
BUILDING PLAN
NEW ORLEANS, LOUISIANA

DATE: 10/14/08

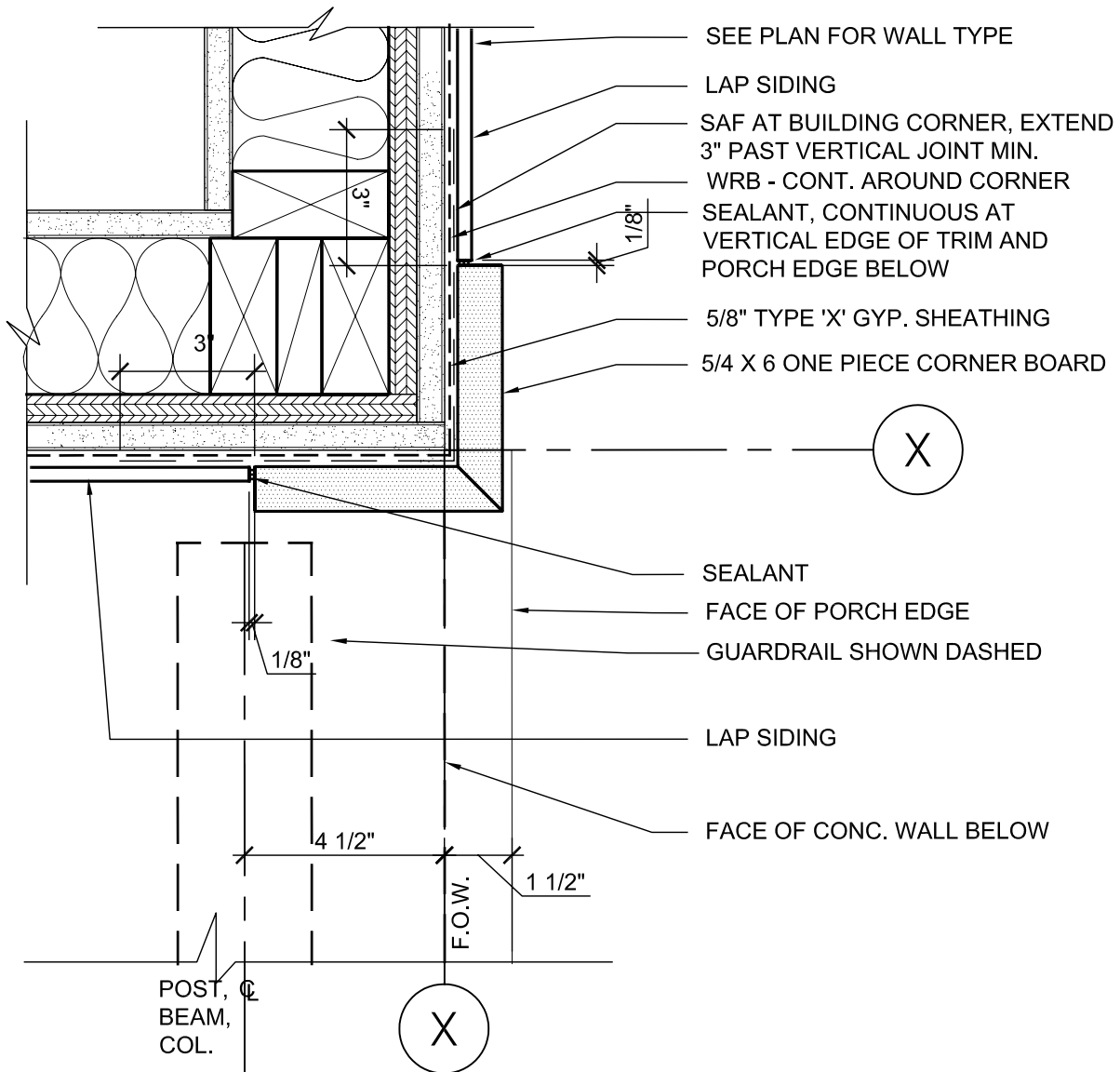
SCALE: 3" = 1'-0"

PORCH DECK CORNER

A520-005



MWA JOB #: 200807	TREME/LAFITTE AND TULANE GRAVIER HOME	DATE: 10/14/08
REVISION: -	BUILDING PLAN NEW ORLEANS, LOUISIANA	SCALE: 3"=1'-0"
PORCH DECK CORNER		A520 007



**Michael
Willis
Architects**



MWA JOB #: 200807

REVISION: -

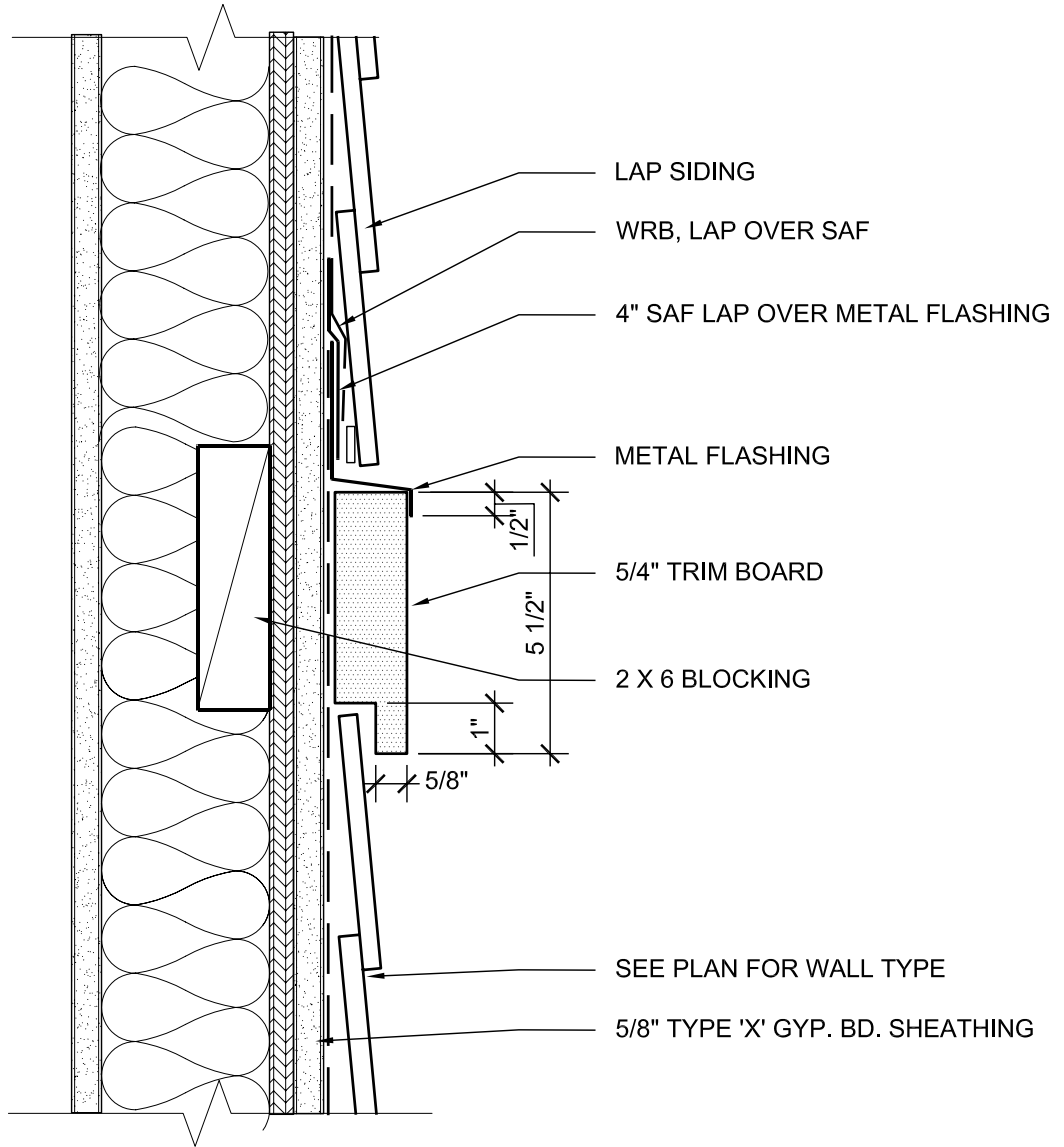
TREME/LAFITTE AND TULANE GRAVIER HOME
BUILDING PLAN
NEW ORLEANS, LOUISIANA

DATE: 10/14/08

SCALE: 3"=1'-0"

OUTSIDE CORNER AT 1 HR WALLS

A520-009



MWA JOB #: 200807

REVISION:
- -

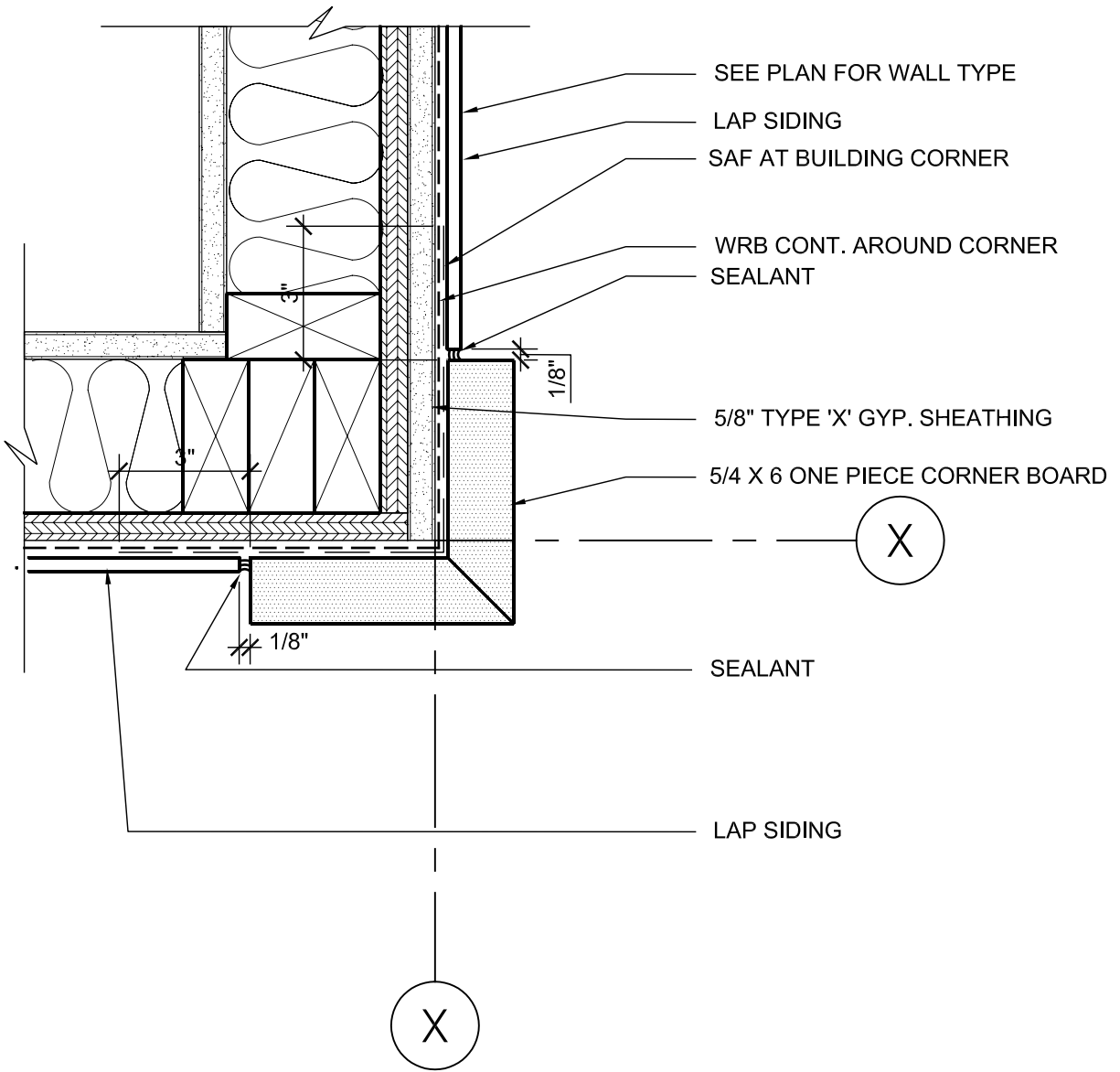
TREME/LAFITTE AND TULANE GRAVIER HOME
 BUILDING PLAN
 NEW ORLEANS, LOUISIANA

DATE: 10/14/08

SCALE: 3"=1'-0"

TRIM BAND AT WALL

A520-010



MWA JOB #: 200807

REVISION: - -

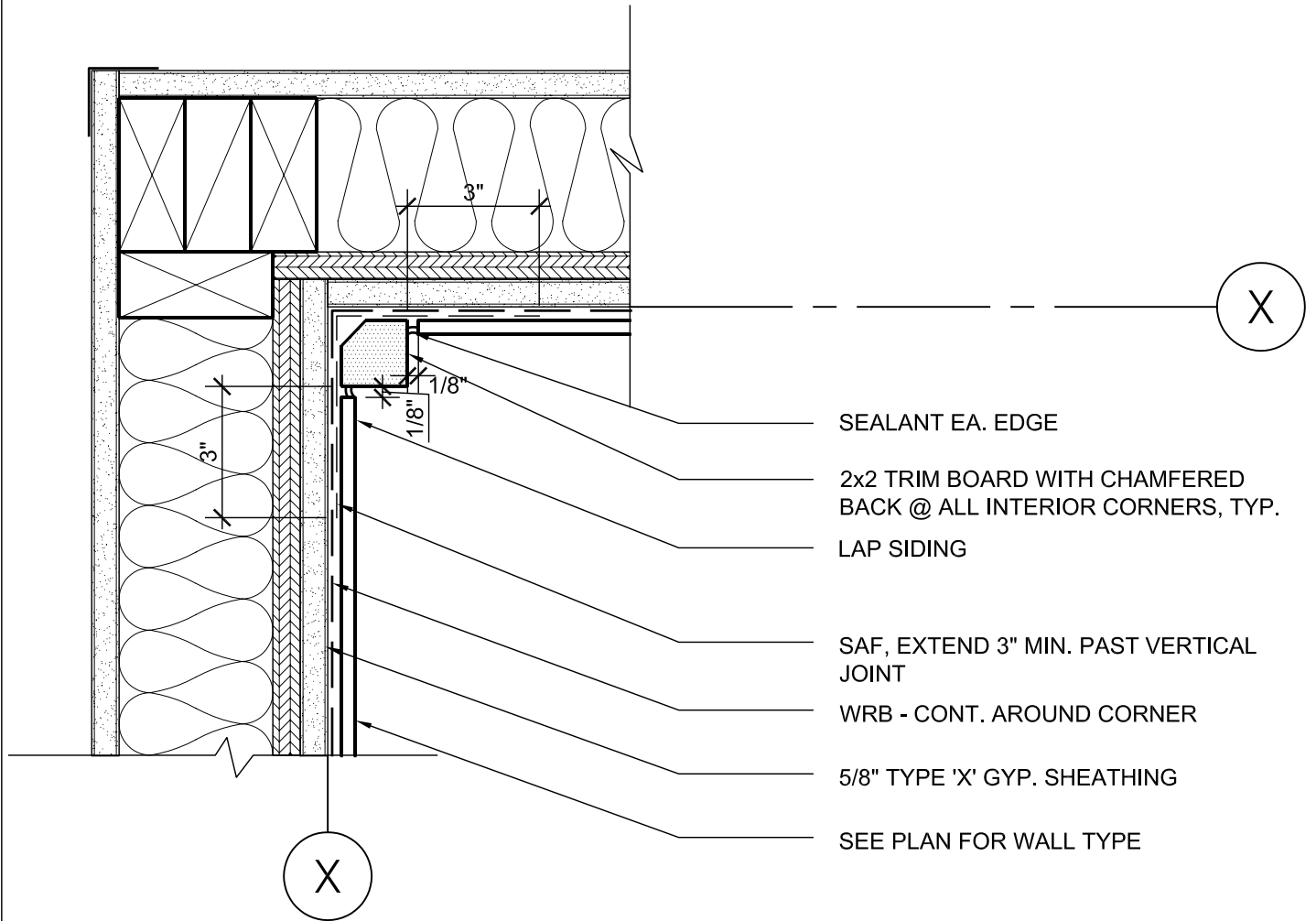
TREME/LAFITTE AND TULANE GRAVIER HOME
 BUILDING PLAN
 NEW ORLEANS, LOUISIANA

DATE: 10/14/08

SCALE: 3"=1'-0"

OUTSIDE CORNER TRIM

A520-011



MWA JOB #: 200807

REVISION:
- -

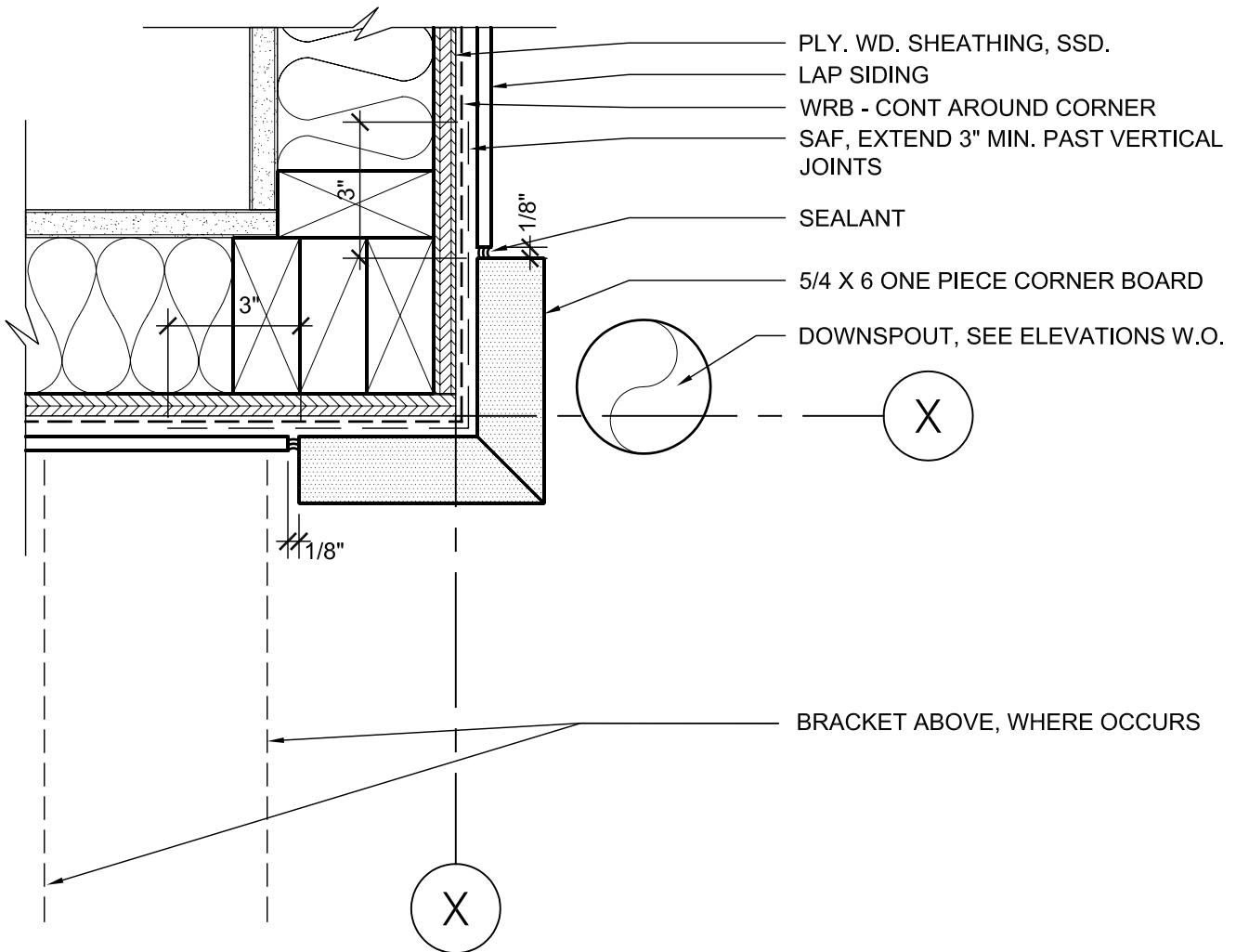
TREME/LAFITTE AND TULANE GRAVIER HOME
BUILDING PLAN
NEW ORLEANS, LOUISIANA

INSIDE CORNER TRIM AT 1-HR
WALLS

DATE: 10/14/08

SCALE: 3"=1'-0"

A520-012



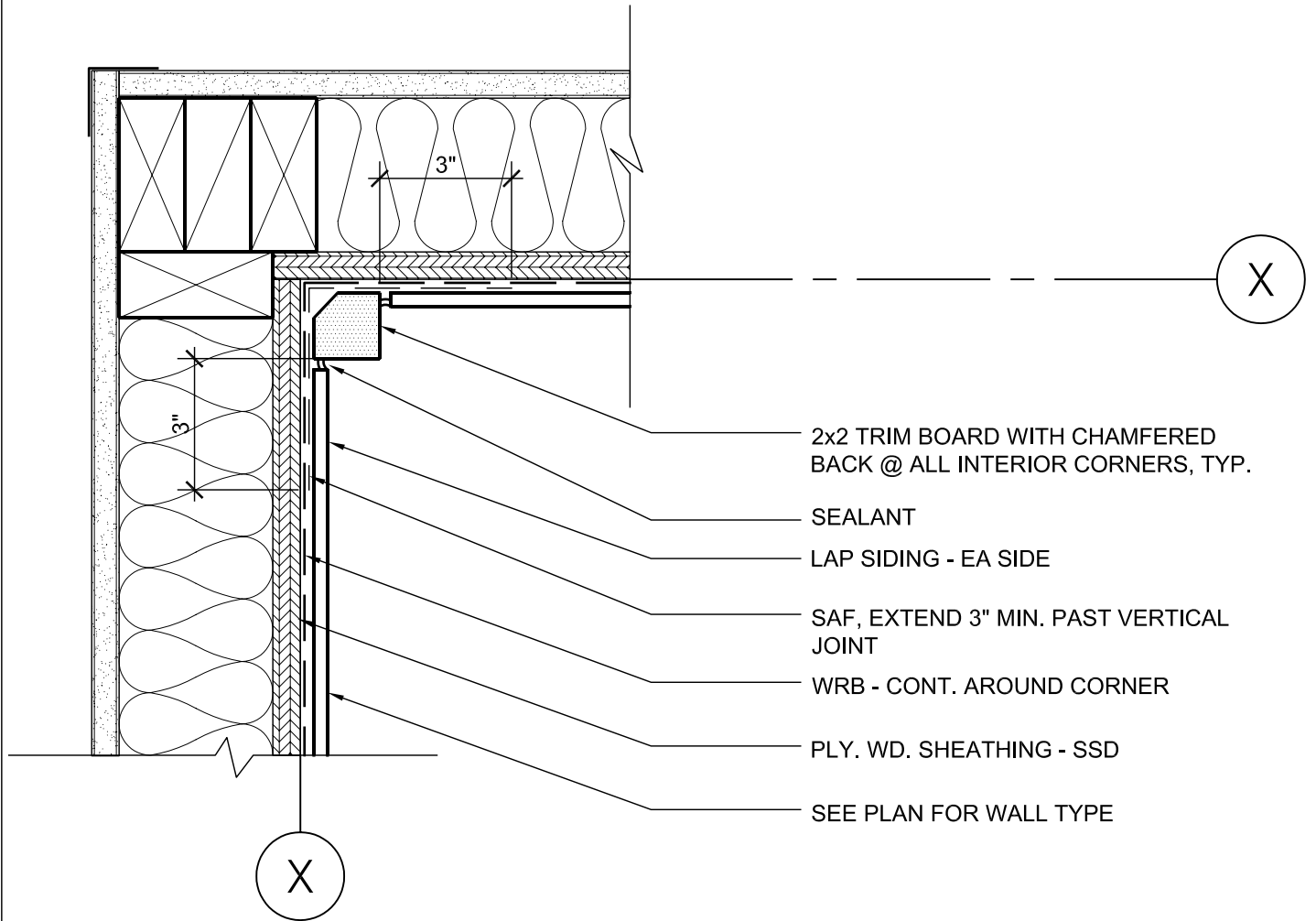
MWA JOB #: 200807
 REVISION:
 - -

TREME/LAFITTE AND TULANE GRAVIER HOME
 BUILDING PLAN
 NEW ORLEANS, LOUISIANA

DATE: 10/14/08
 SCALE: 3"=1'-0"

CORNER @ NON-RATED WALLS

A520 013



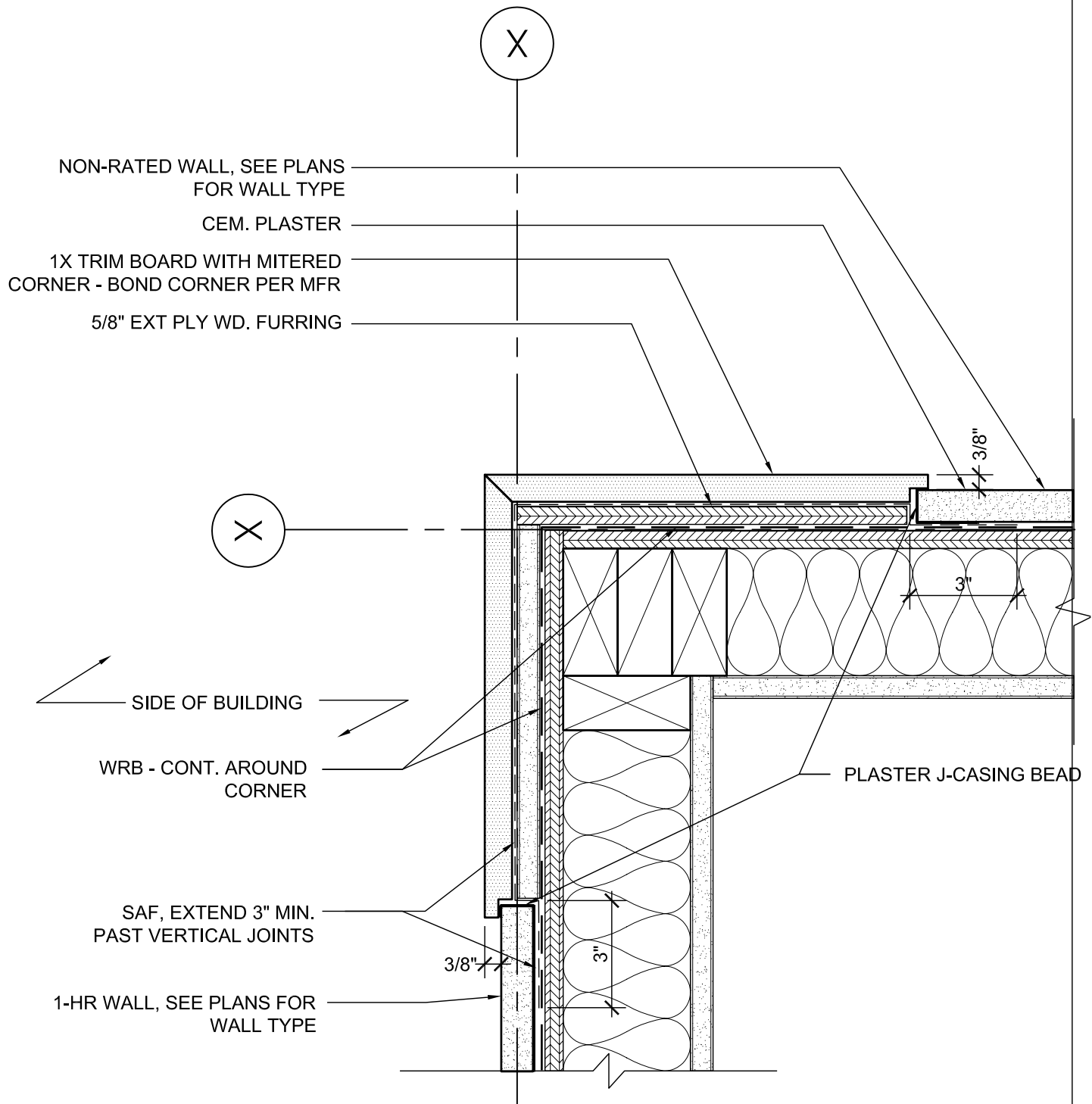
MWA JOB #: 200807
 REVISION: -

TREME/LAFITTE AND TULANE GRAVIER HOME
 BUILDING PLAN
 NEW ORLEANS, LOUISIANA

DATE: 10/14/08
 SCALE: 3"=1'-0"

INSIDE CORNER TRIM

A520 014



MWA JOB #: 200807

REVISION:
- -

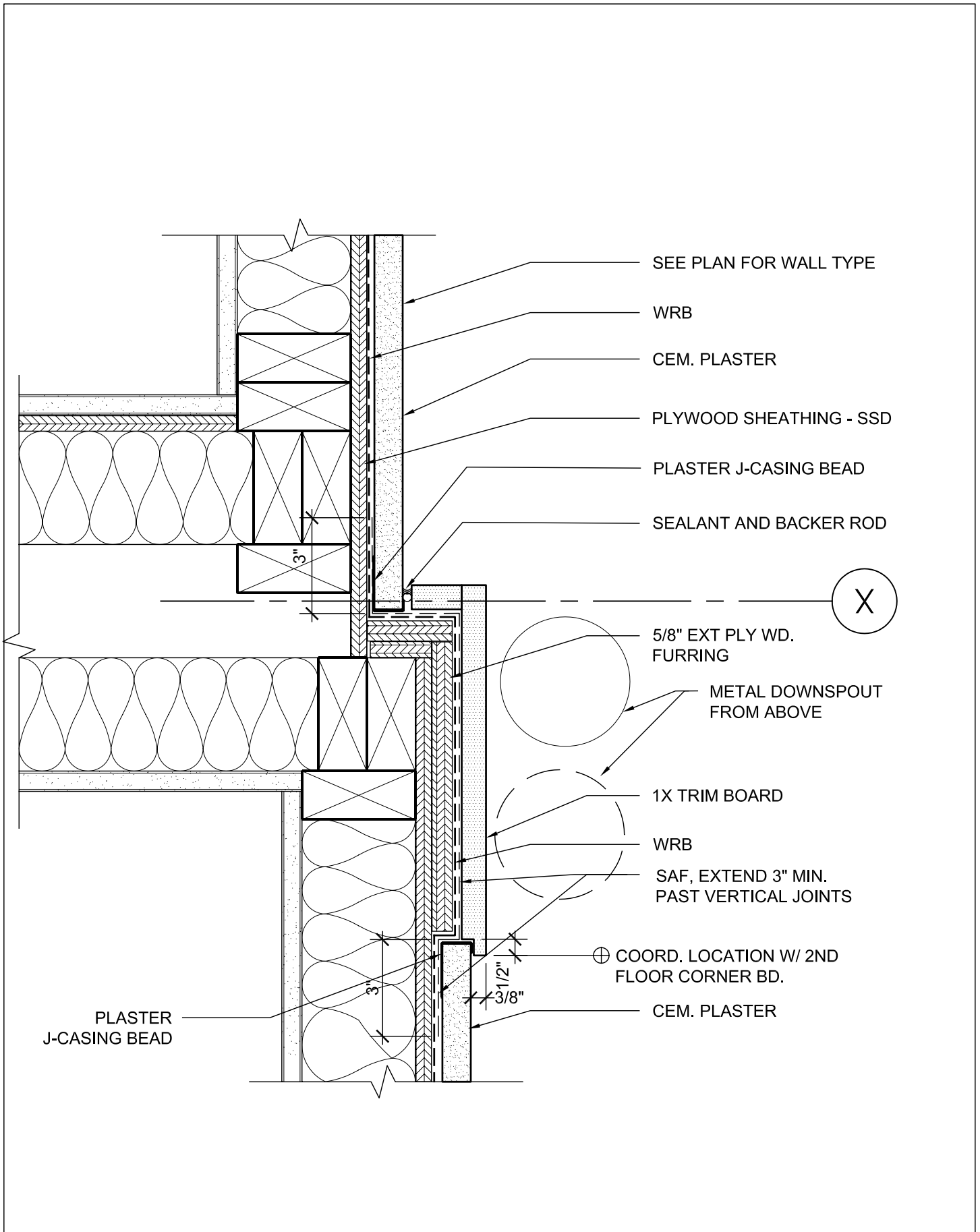
TREME/LAFITTE AND TULANE GRAVIER HOME
BUILDING PLAN
NEW ORLEANS, LOUISIANA

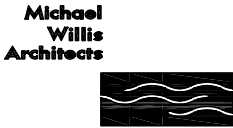
DATE: 10/14/08

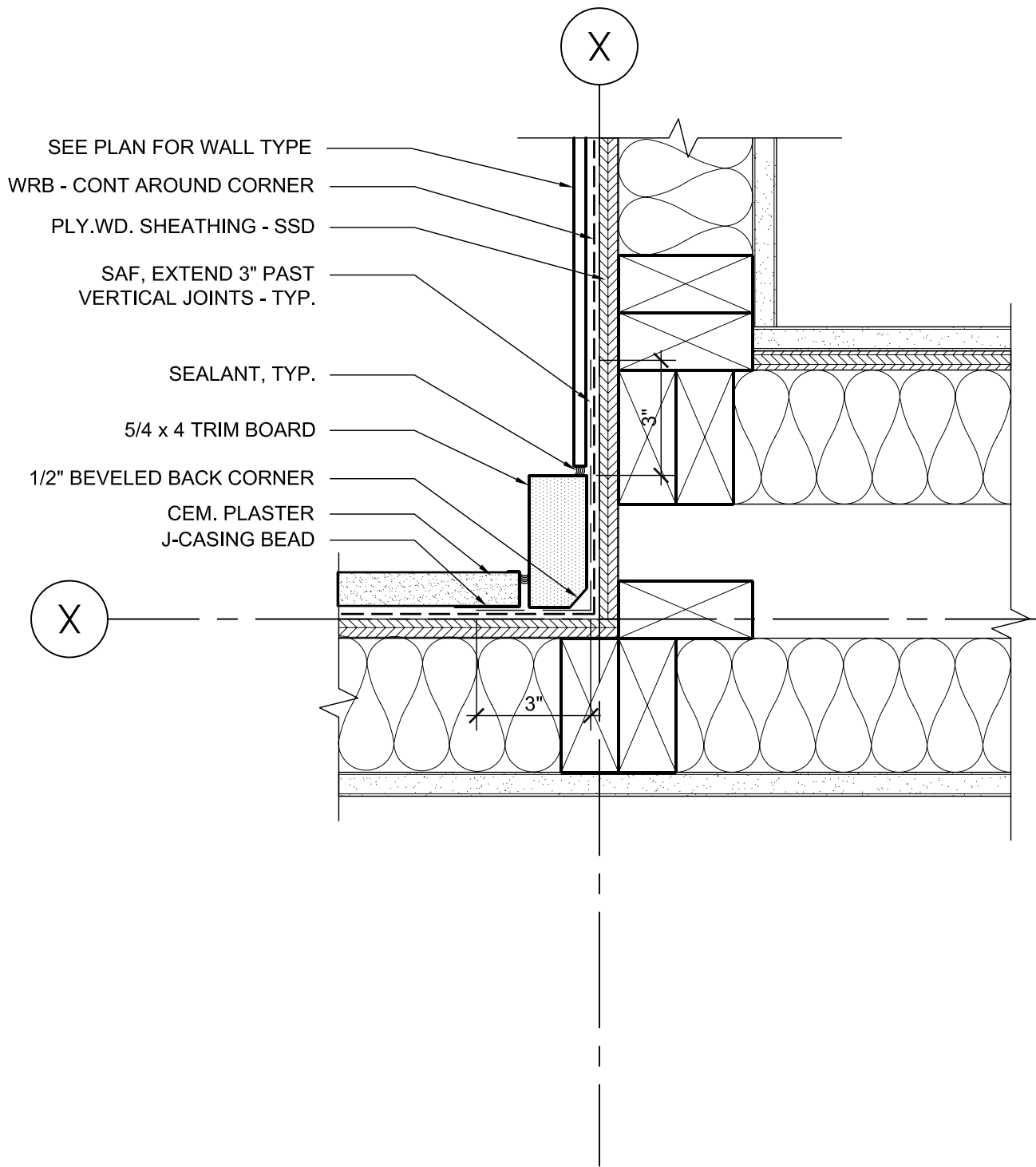
SCALE: 3"=1'-0"

CORNER AT 1 HR AND NON RATED
WALL

A520-016



	MWA JOB #: 200807	TREME/LAFITTE AND TULANE GRAVIER HOME	DATE: 10/14/08
	REVISION: -	BUILDING PLAN NEW ORLEANS, LOUISIANA	SCALE: 3"=1'-0"
CEMENT PLASTER OFFSET @ PARTY WALL			A520-017



MWA JOB #: 200807

REVISION: - -

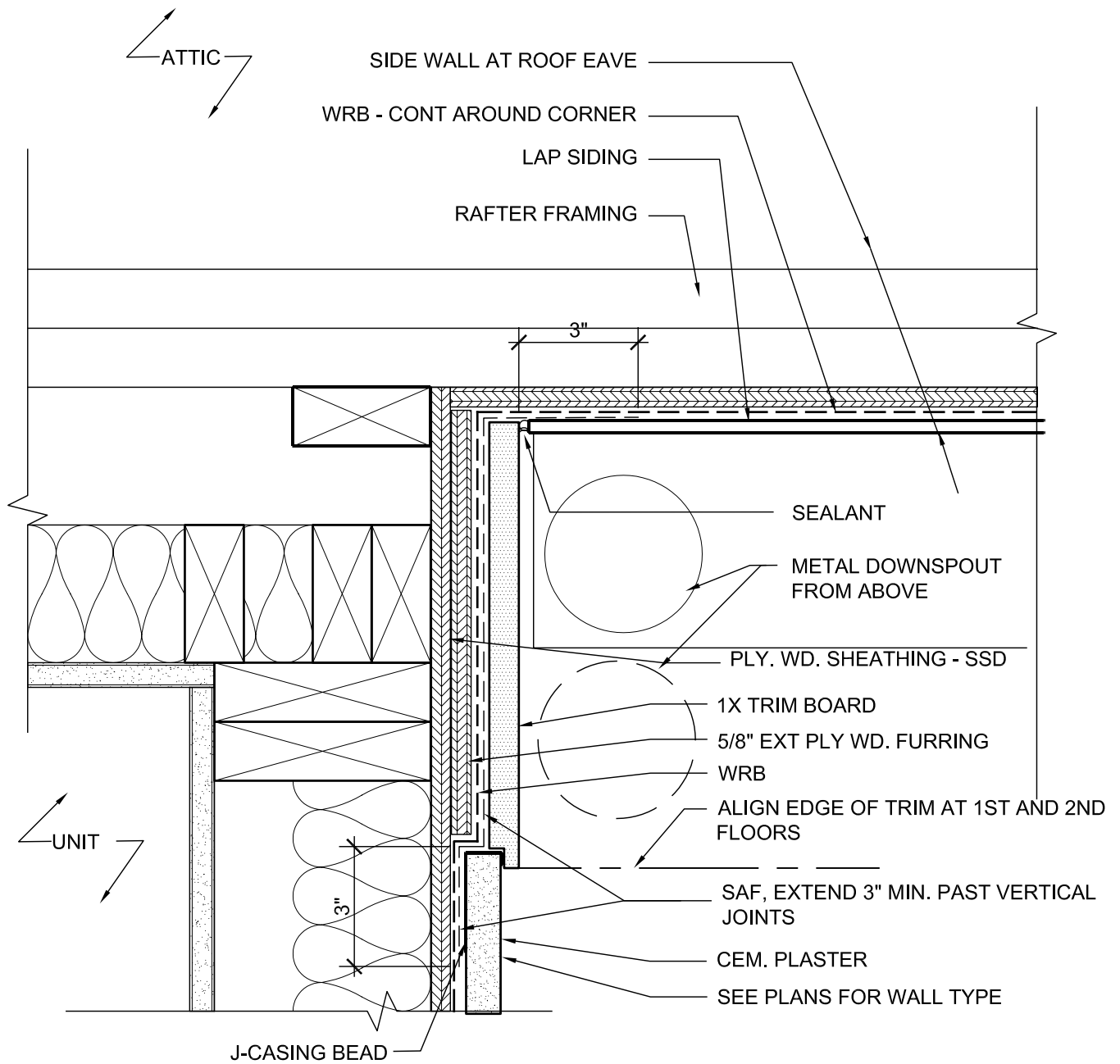
TREME/LAFITTE AND TULANE GRAVIER HOME
BUILDING PLAN
NEW ORLEANS, LOUISIANA

DATE: 10/14/08

SCALE: 3"=1'-0"

INSIDE CORNER @ PARTY WALL

A520 018



MWA JOB #: 200807

REVISION:
- -

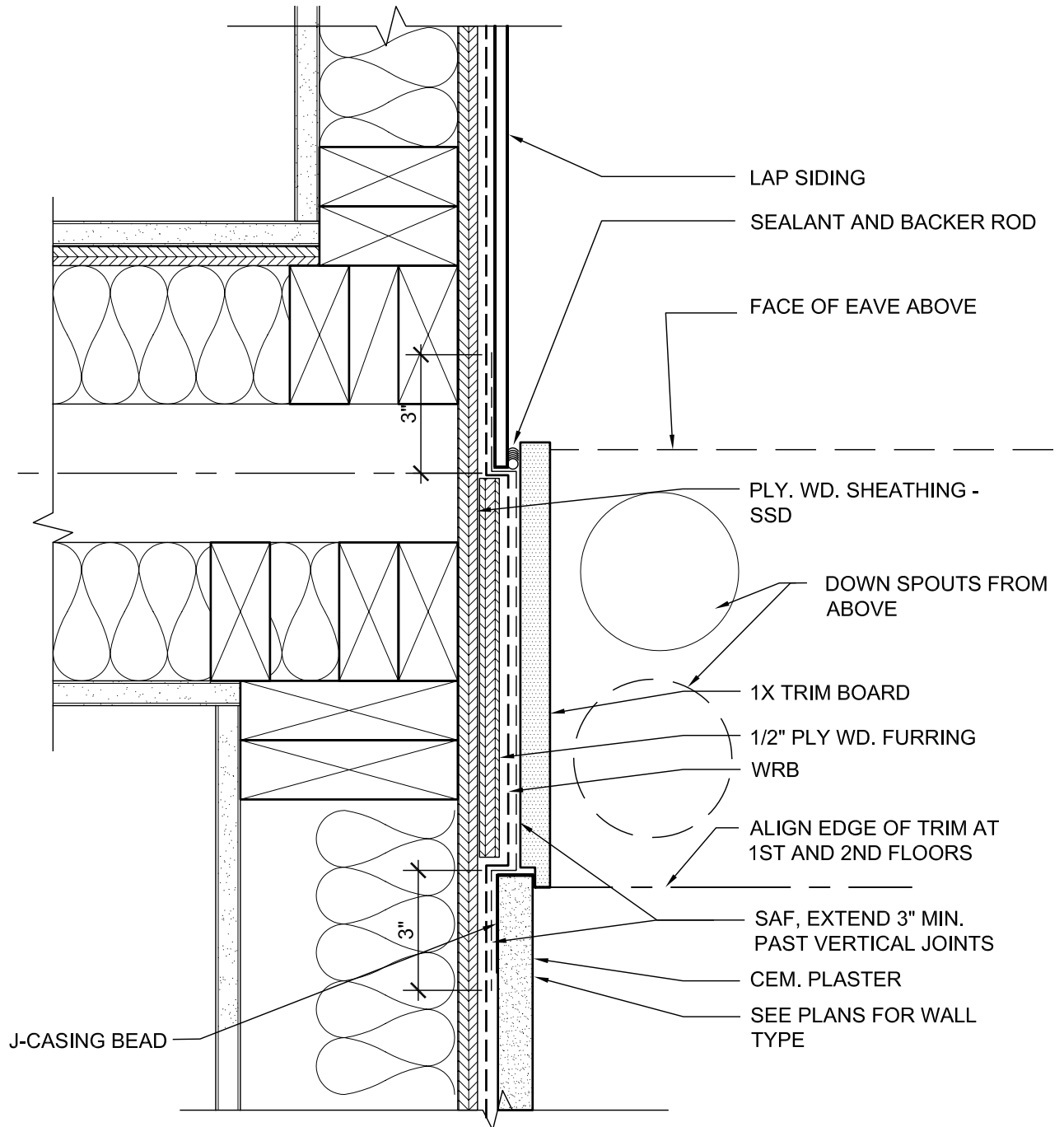
TREME/LAFITTE AND TULANE GRAVIER HOME
BUILDING PLAN
NEW ORLEANS, LOUISIANA

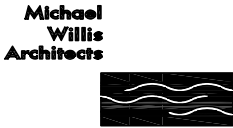
DATE: 10/14/08

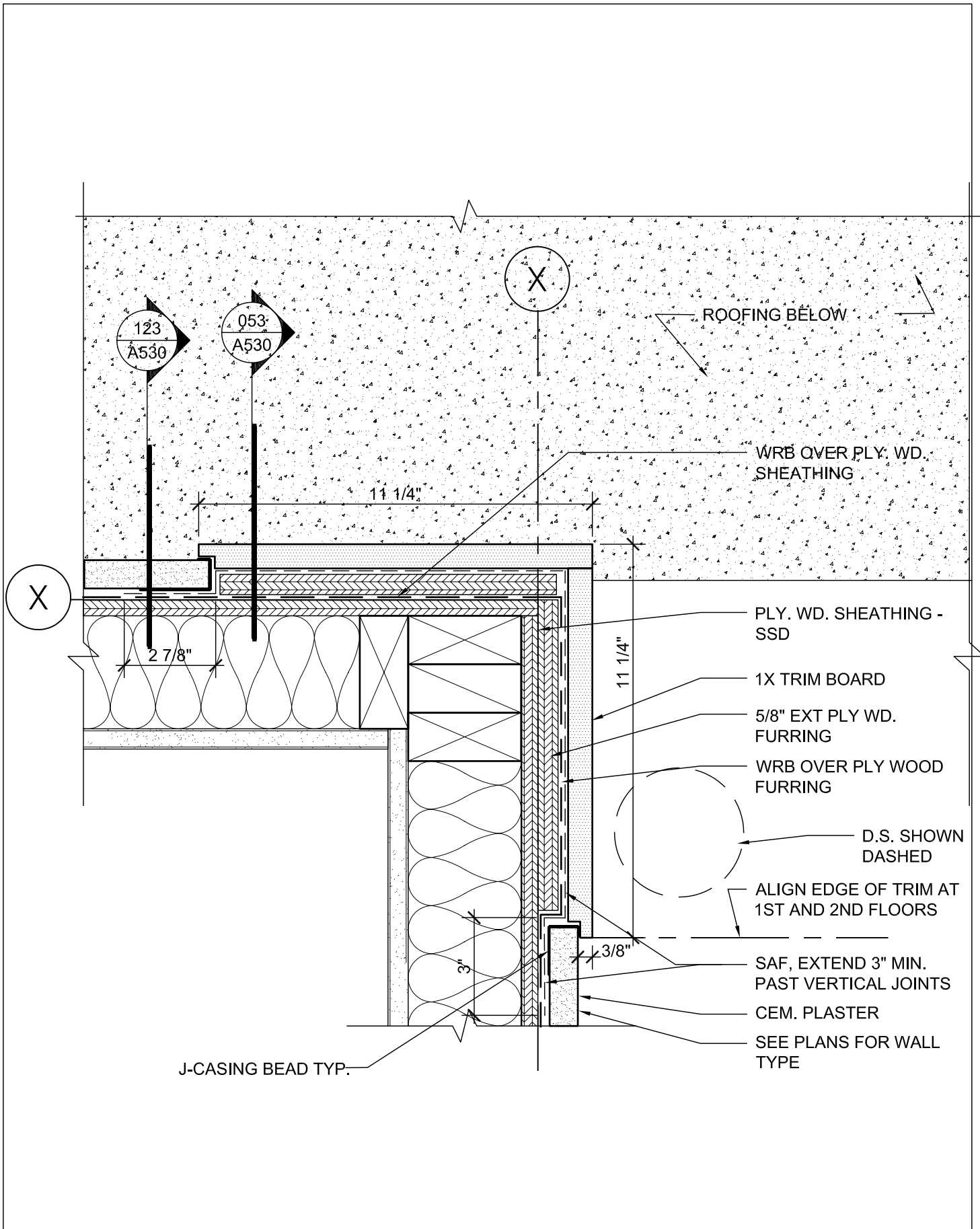
SCALE: 3"=1'-0"

WALL @ PROJECTING EAVE

A520 019



	MWA JOB #: 200807	TREME/LAFITTE AND TULANE GRAVIER HOME	DATE: 10/14/08
	REVISION: -	BUILDING PLAN NEW ORLEANS, LOUISIANA	SCALE: 3"=1'-0"
FINISH TRANS @ PARTY WALL			A520 020



J-CASING BEAD TYP.



MWA JOB #: 200807

REVISION: -

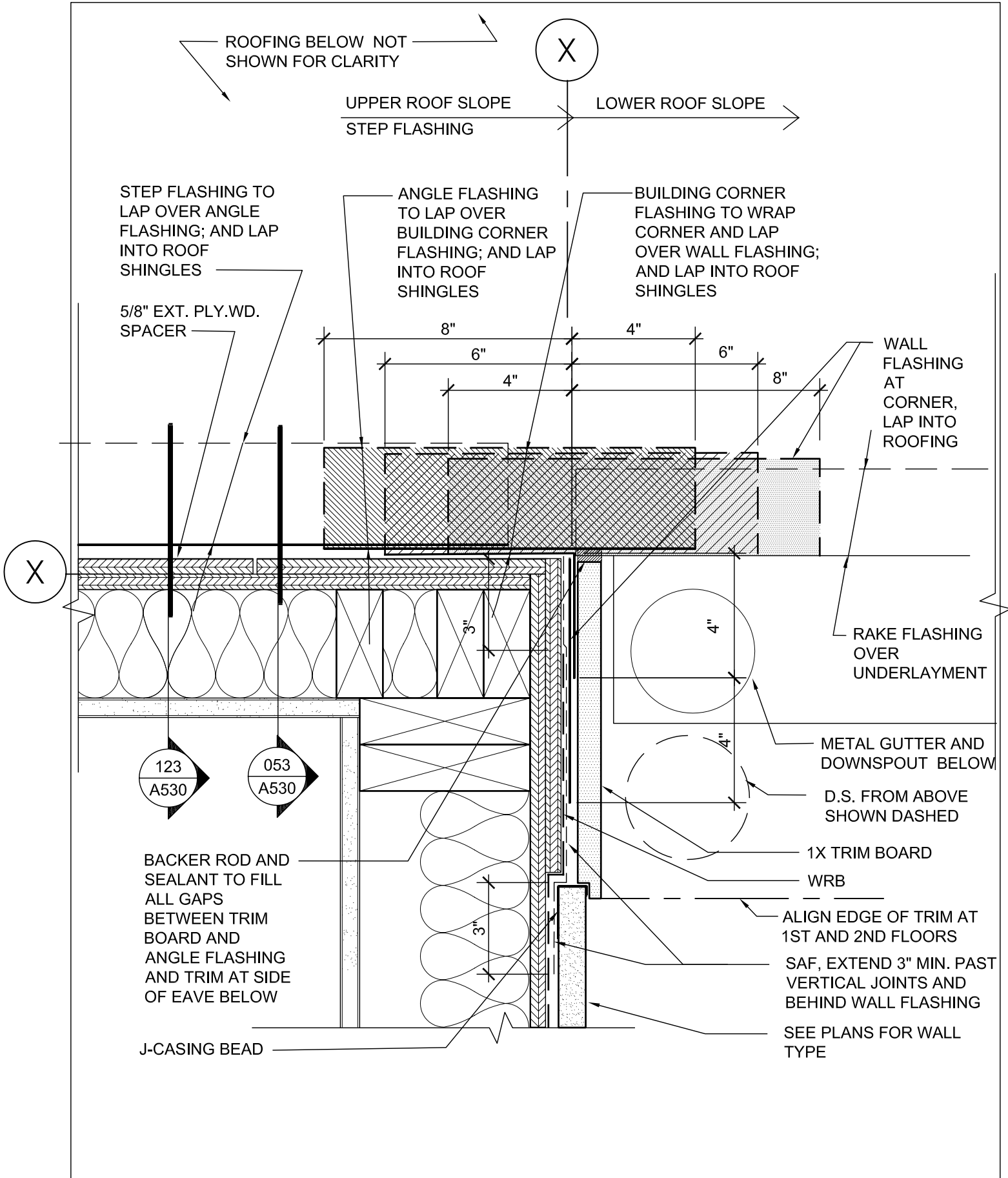
TREME/LAFITTE AND TULANE GRAVIER HOME
 BUILDING PLAN
 NEW ORLEANS, LOUISIANA

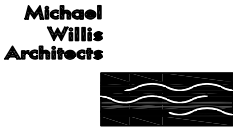
DATE: 10/14/08

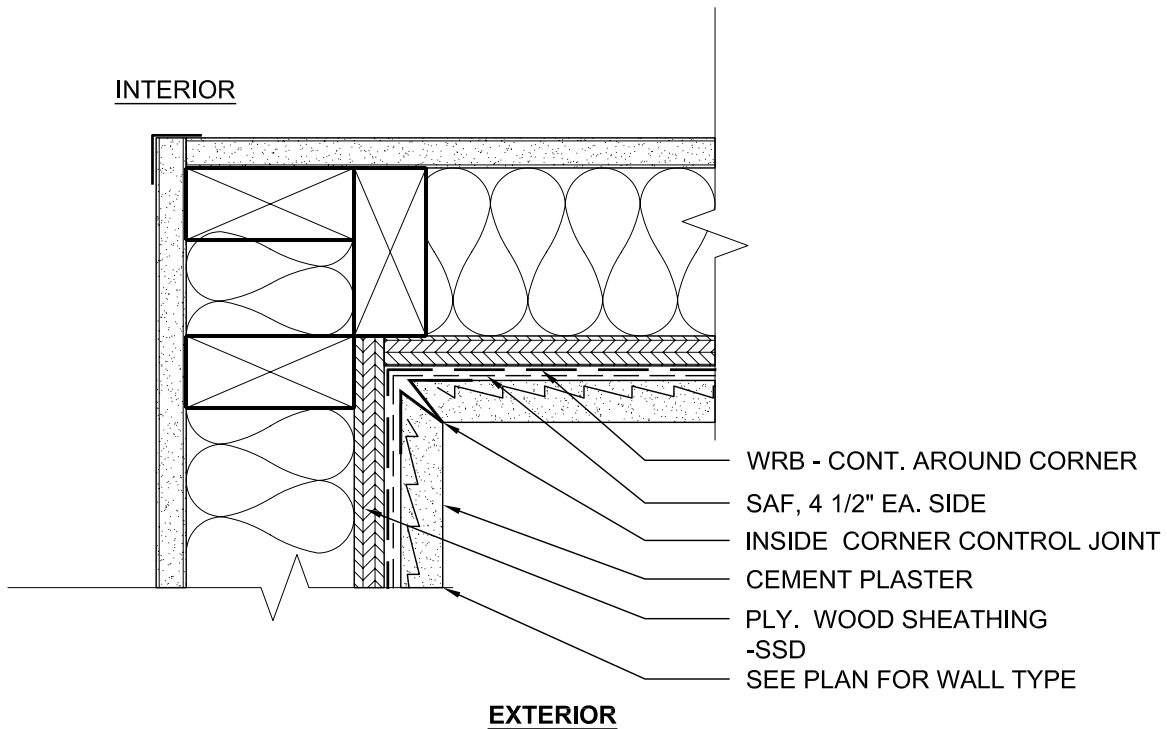
SCALE: 3" = 1'-0"

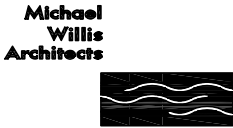
CORNER @ NON-RATED WALLS

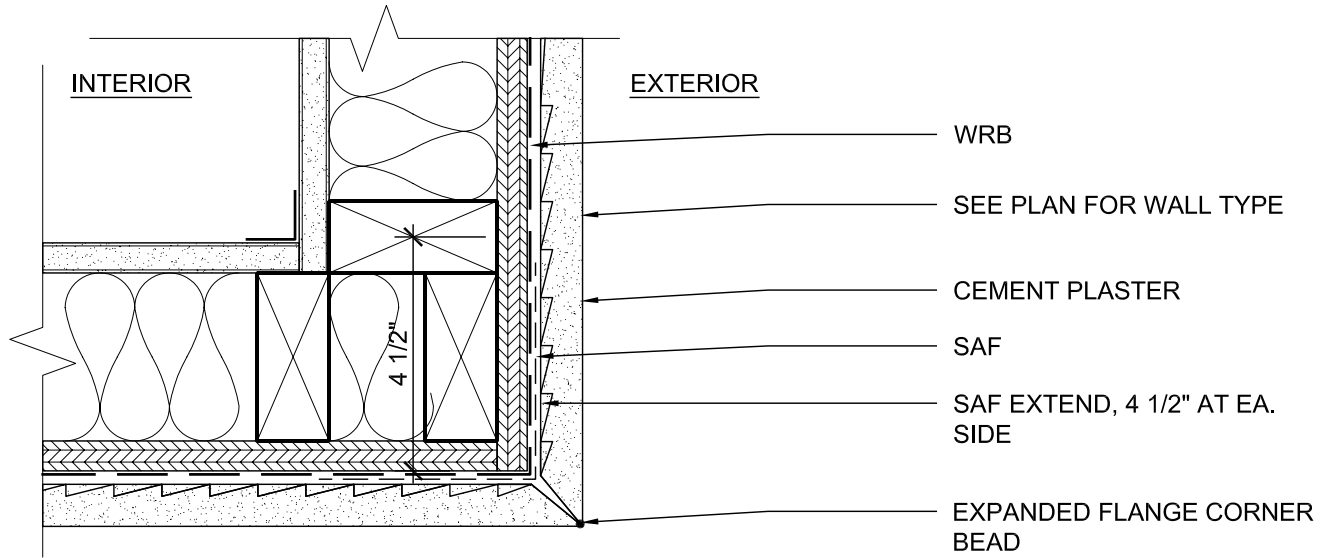
A520-021



	MWA JOB #: 200807	TREME/LAFITTE AND TULANE GRAVIER HOME	DATE: 10/14/08
	REVISION: -	BUILDING PLAN NEW ORLEANS, LOUISIANA	SCALE: 3" = 1'-0"
CORNER @ ROOF METAL FLASHING			A520-022



	MWA JOB #: 200807	TREME/LAFITTE AND TULANE GRAVIER HOME	DATE: 10/14/08
	REVISION: - -	BUILDING PLAN NEW ORLEANS, LOUISIANA	SCALE: ViewportScale
		CEM. PLAS. INSIDE CORNER	A520-026



**Michael
Willis
Architects**



MWA JOB #: 200807

REVISION:
- -

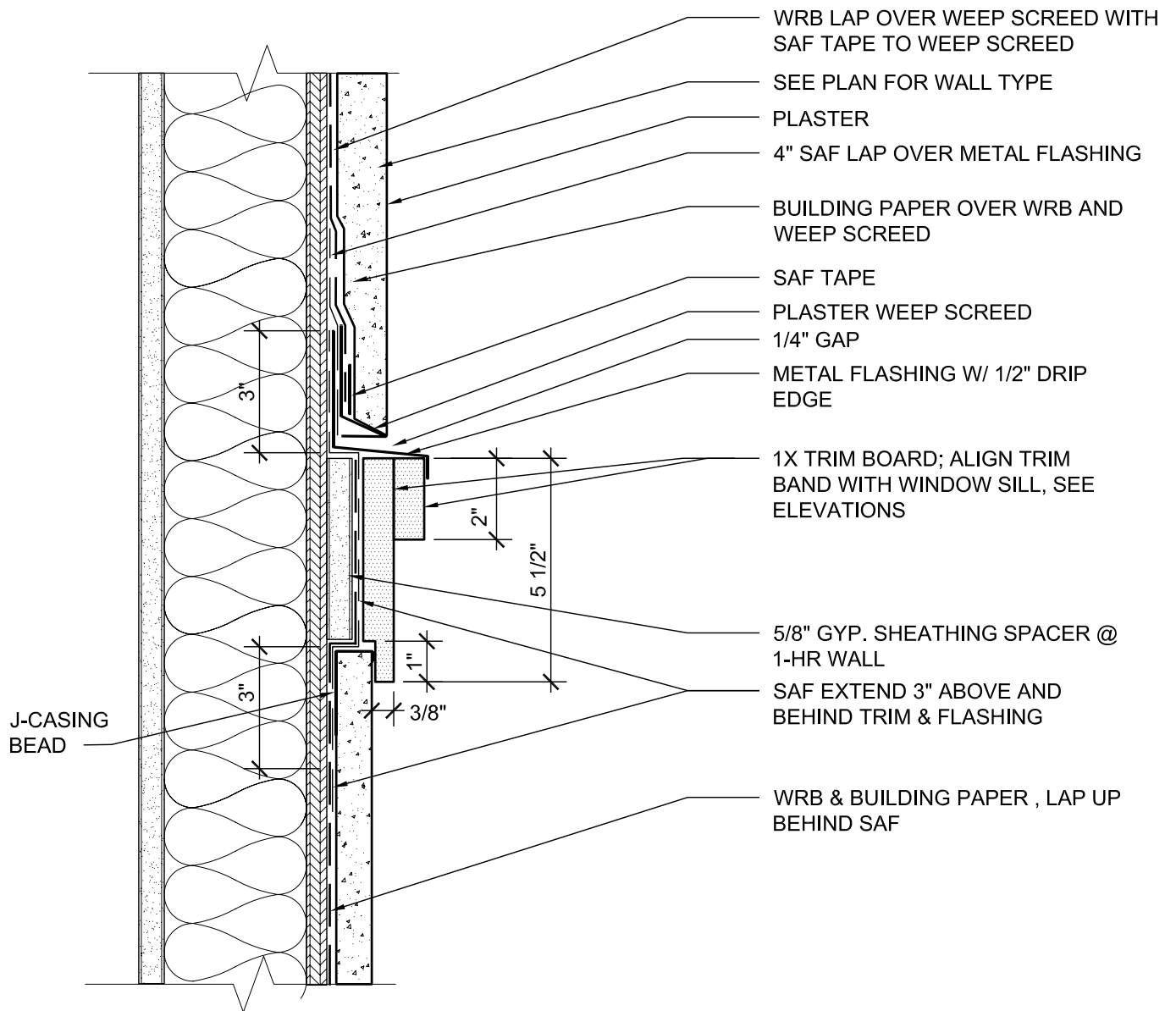
TREME/LAFITTE AND TULANE GRAVIER HOME
BUILDING PLAN
NEW ORLEANS, LOUISIANA

DATE: 10/14/08

SCALE: 3"=1'-0"


CEM. PLAS. OUTSIDE CORNER

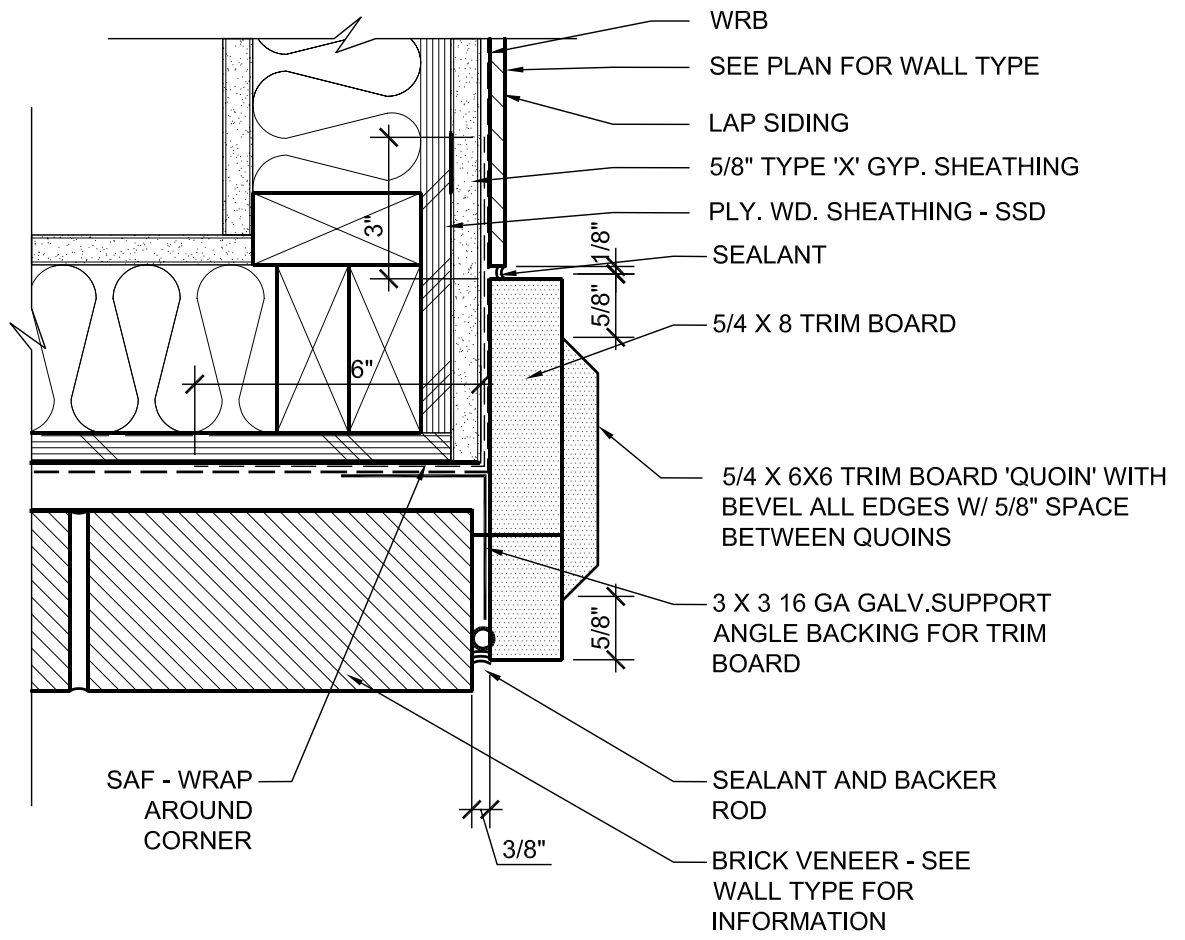
A520 027



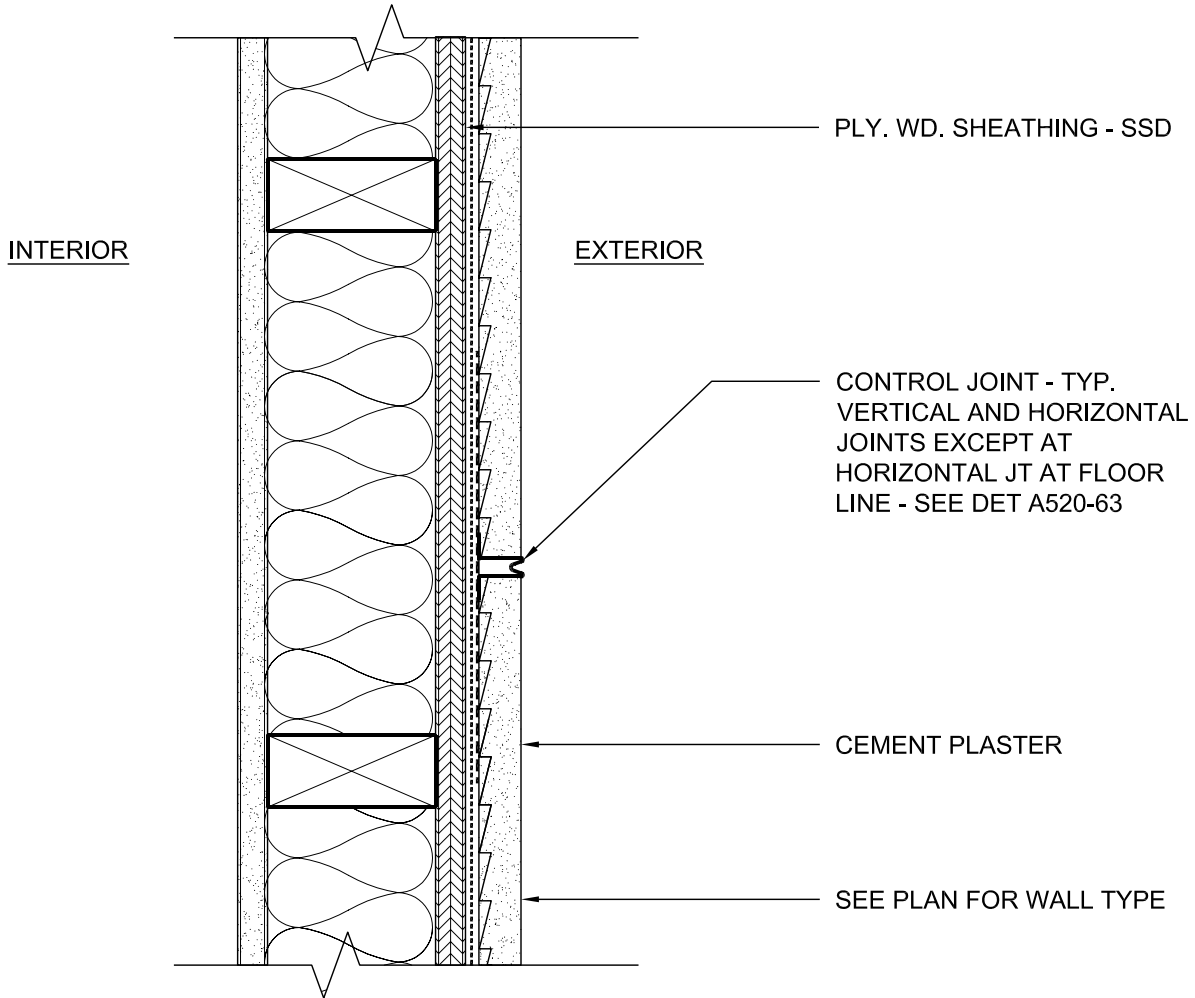
- WRB LAP OVER WEEP SCREED WITH SAF TAPE TO WEEP SCREED
- SEE PLAN FOR WALL TYPE
- PLASTER
- 4" SAF LAP OVER METAL FLASHING
- BUILDING PAPER OVER WRB AND WEEP SCREED
- SAF TAPE
- PLASTER WEEP SCREED
- 1/4" GAP
- METAL FLASHING W/ 1/2" DRIP EDGE
- 1X TRIM BOARD; ALIGN TRIM BAND WITH WINDOW SILL, SEE ELEVATIONS
- 5/8" GYP. SHEATHING SPACER @ 1-HR WALL
- SAF EXTEND 3" ABOVE AND BEHIND TRIM & FLASHING
- WRB & BUILDING PAPER, LAP UP BEHIND SAF

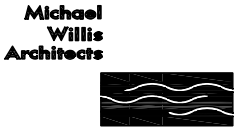
J-CASING BEAD

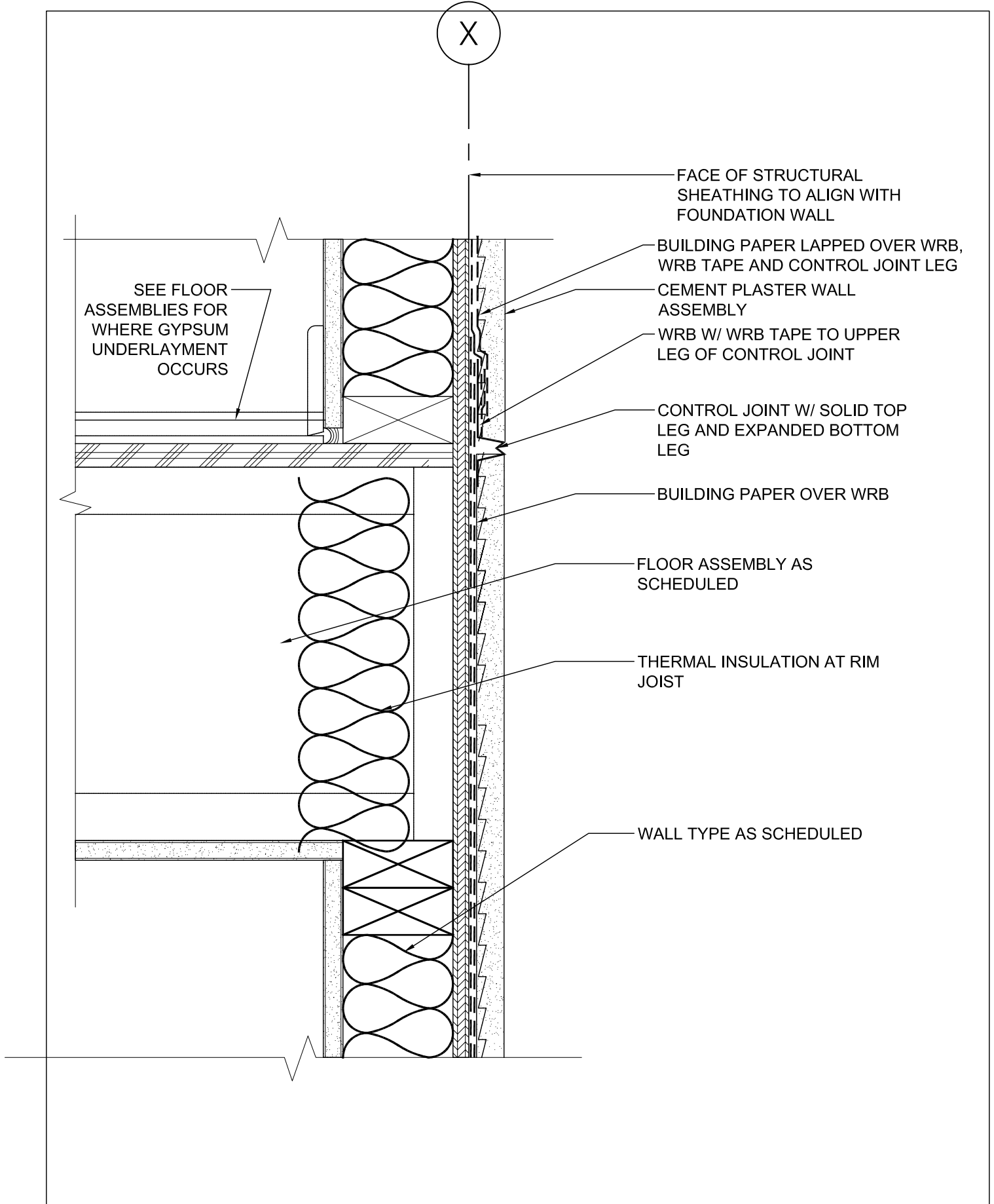
	MWA JOB #: 200807	TREME/LAFITTE AND TULANE GRAVIER HOME BUILDING PLAN NEW ORLEANS, LOUISIANA	DATE: 10/14/08
	REVISION: -		SCALE: 3"=1'-0"
TRIM BAND @ WALL			A520 028

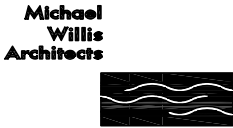


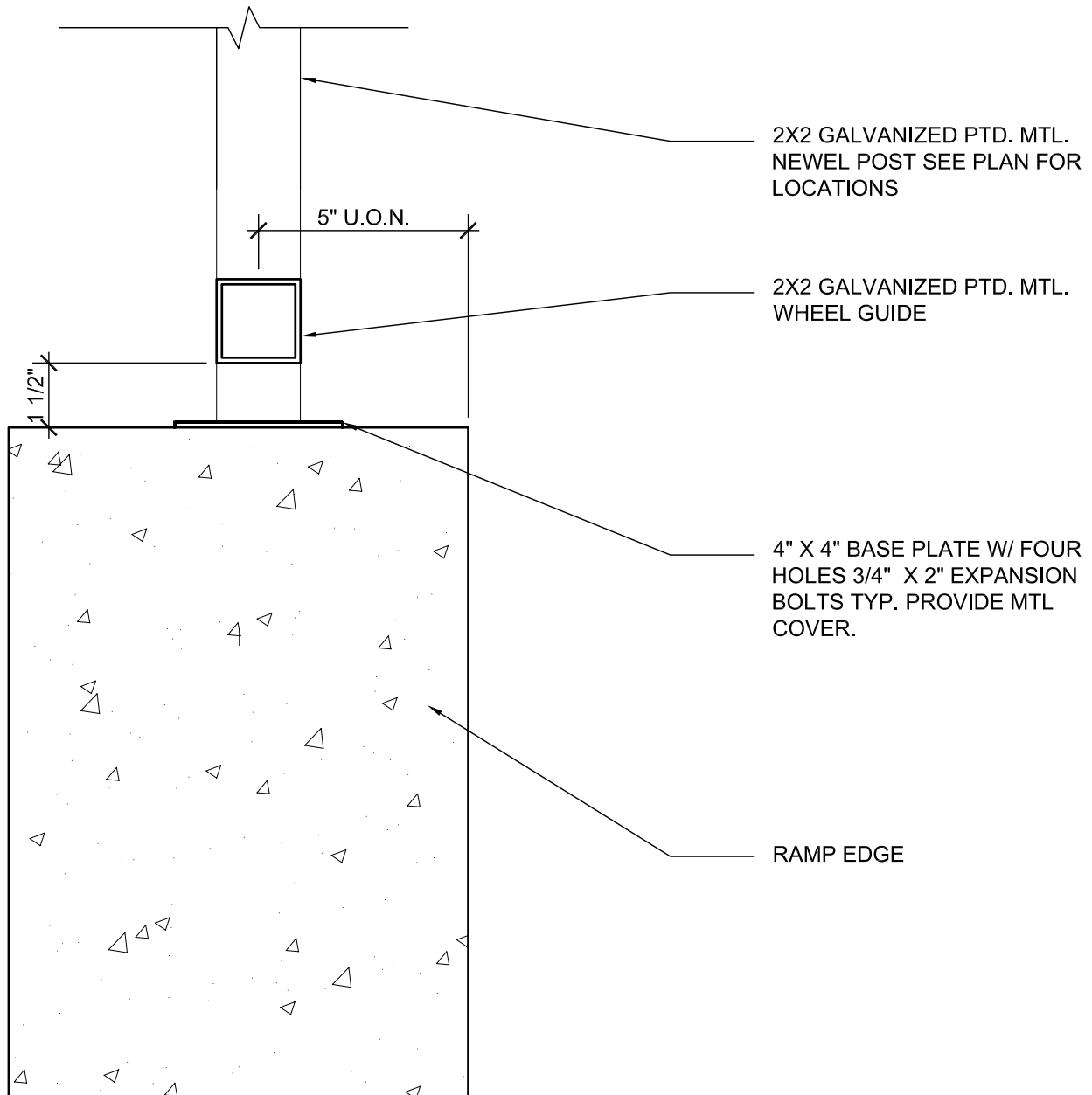
MWA JOB #: 200807	TREME/LAFITTE AND TULANE GRAVIER HOME	DATE: 10/14/08
REVISION: -	BUILDING PLAN NEW ORLEANS, LOUISIANA	SCALE: 3" = 1'-0"
	BRICK CORNER DETAIL	A520-032



	MWA JOB #: 200807	TREME/LAFITTE AND TULANE GRAVIER HOME	DATE: 10/14/08
	REVISION: -	BUILDING PLAN NEW ORLEANS, LOUISIANA	SCALE: 3"=1'-0"
		TYP. CEM. PLAS. CONTROL JOINT	A520-062



	MWA JOB #: 200807	TREME/LAFITTE AND TULANE GRAVIER HOME	DATE: 10/14/08
	REVISION: -	BUILDING PLAN NEW ORLEANS, LOUISIANA	SCALE: ViewportScale
CONTROL JOINT AT FLOOR ASSEMBLY			A520-063



MWA JOB #: 200807

REVISION: - -

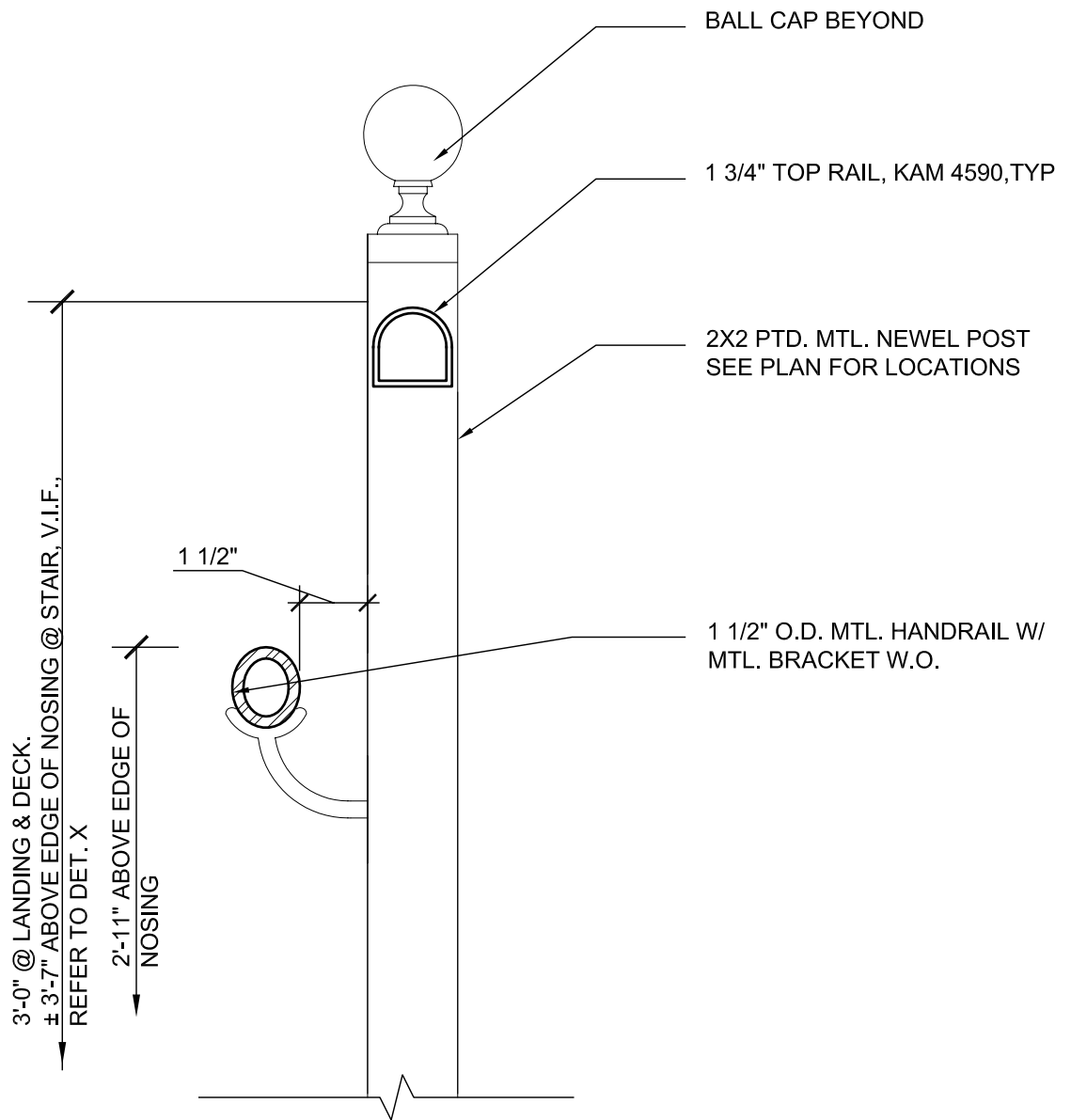
TREME/LAFITTE AND TULANE GRAVIER HOME
BUILDING PLAN
NEW ORLEANS, LOUISIANA

DATE: 10/14/08

SCALE: 3"=1'-0"

EDGE OF RAMP WITH POST

A520 071



**Michael
Willis
Architects**



MWA JOB #: 200807

REVISION:
- -

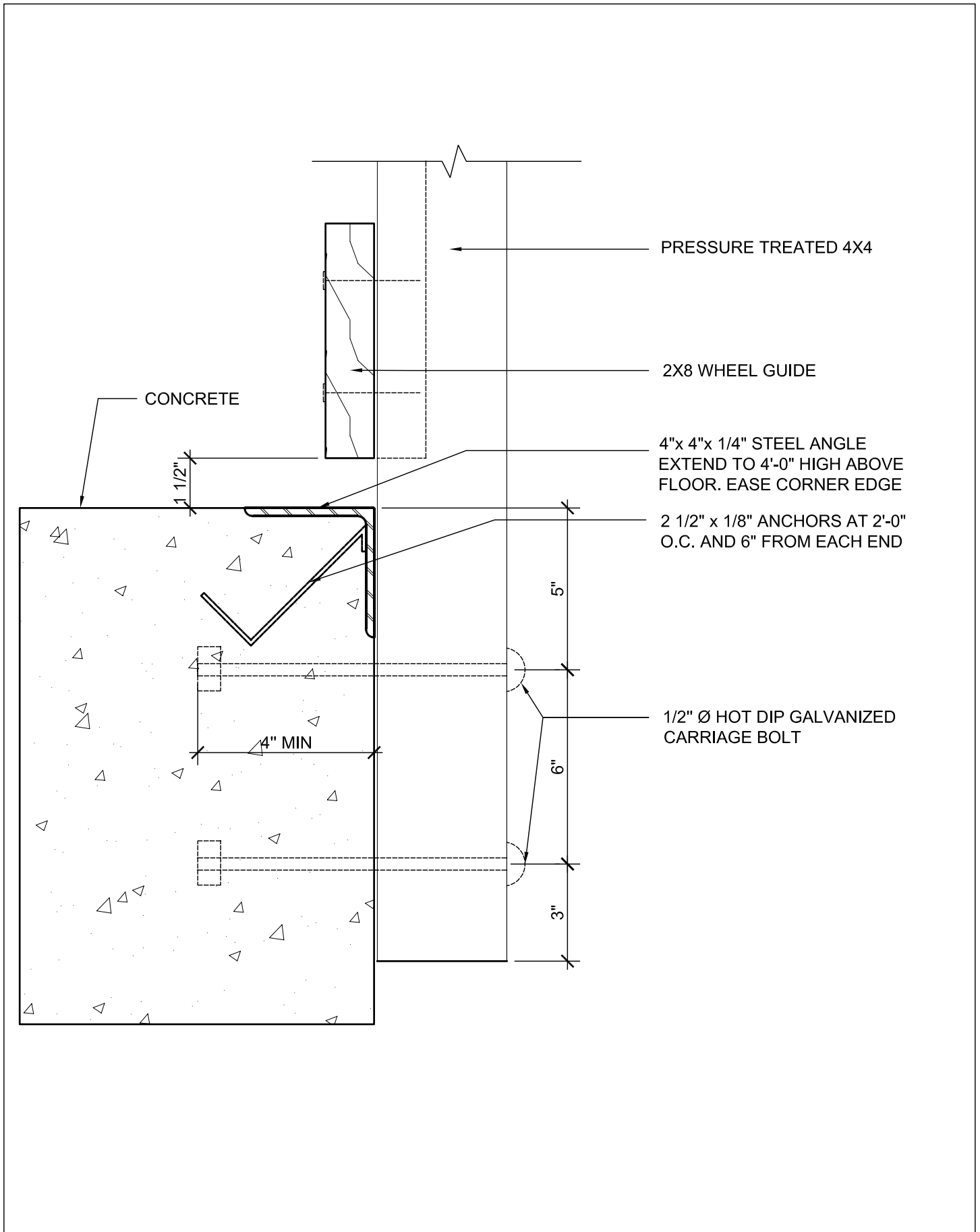
TREME/LAFITTE AND TULANE GRAVIER HOME
BUILDING PLAN
NEW ORLEANS, LOUISIANA

DATE: 10/14/08

SCALE: 3"=1'-0"

GUARD RAIL & HANDRAIL

A520 075



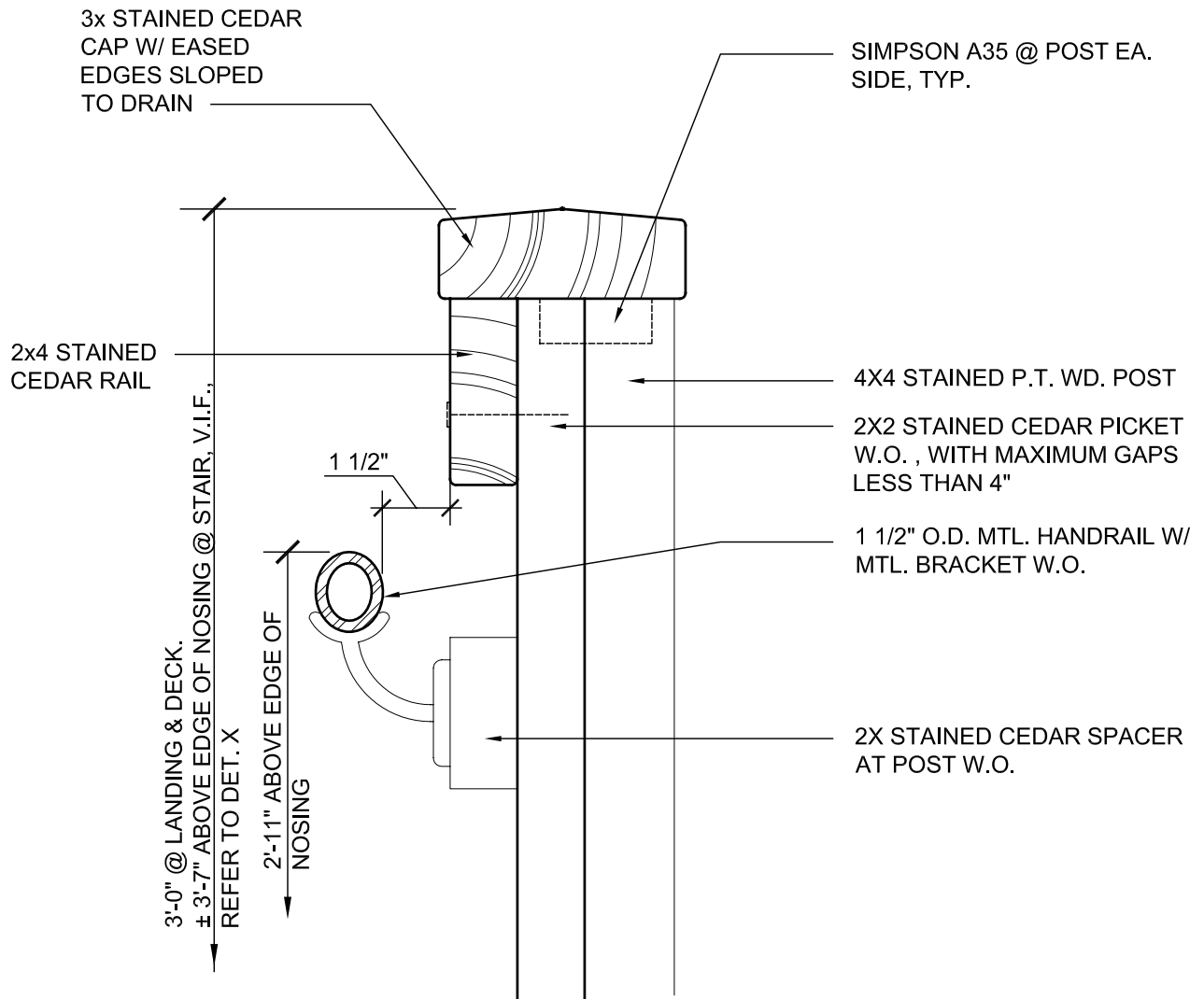
MWA JOB #: 200807
 REVISION:
 -

TREME/LAFITTE AND TULANE GRAVIER HOME
 BUILDING PLAN
 NEW ORLEANS, LOUISIANA

DATE: 10/14/08
 SCALE: ViewportScale

EDGE OF RAMP WITH WOOD POST

A520.076



**Michael
Willis
Architects**



MWA JOB #: 200807

REVISION:
- -

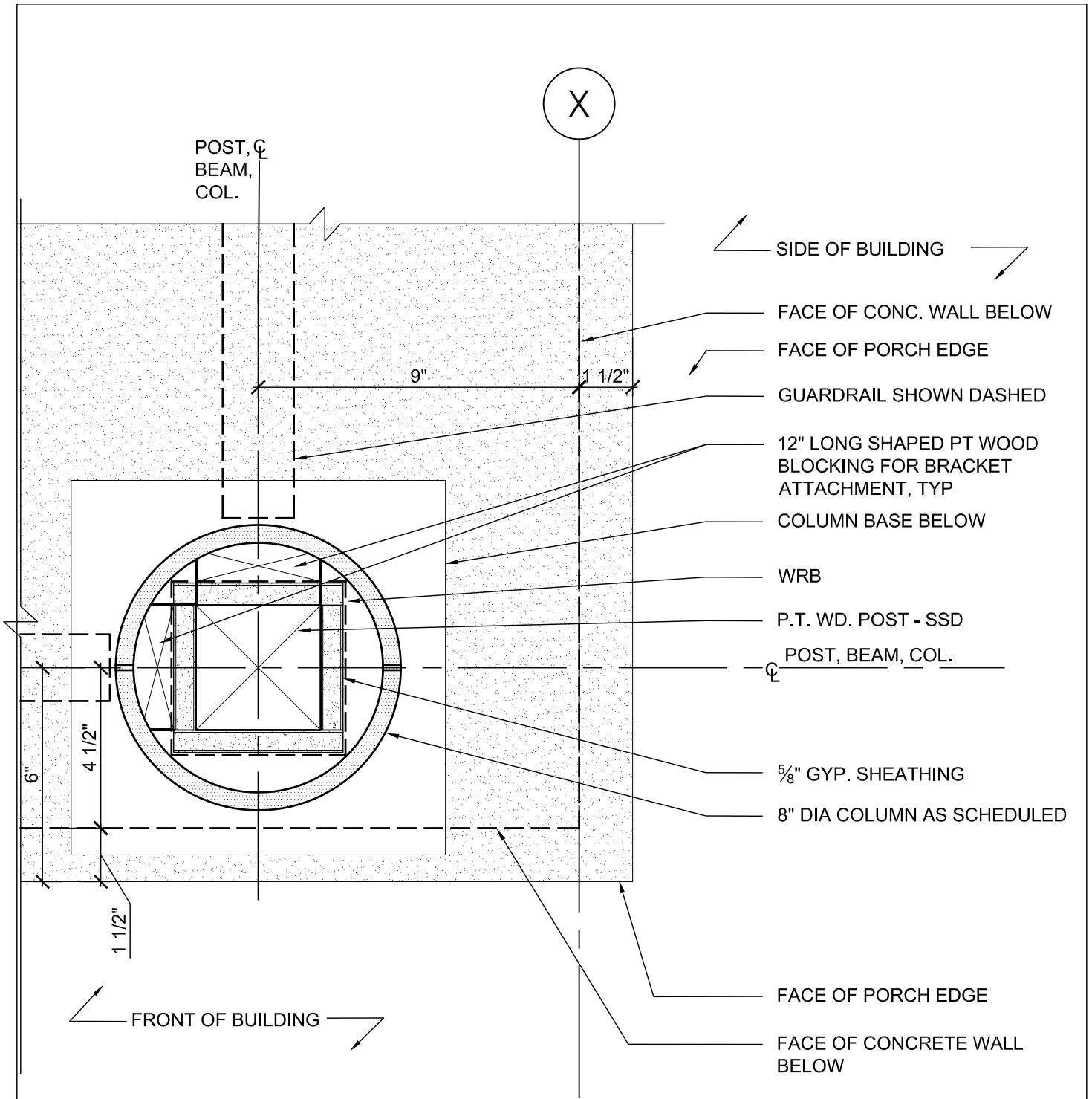
TREME/LAFITTE AND TULANE GRAVIER HOME
BUILDING PLAN
NEW ORLEANS, LOUISIANA

DATE: 10/14/08

SCALE: ViewportScale

TOP OF RAIL AT WD. POST

A520.077



POST, ϕ
BEAM,
COL.

X

SIDE OF BUILDING

FACE OF CONC. WALL BELOW

FACE OF PORCH EDGE

GUARDRAIL SHOWN DASHED

12" LONG SHAPED PT WOOD
BLOCKING FOR BRACKET
ATTACHMENT, TYP

COLUMN BASE BELOW

WRB

P.T. WD. POST - SSD

POST, BEAM, COL.

$\frac{5}{8}$ " GYP. SHEATHING

8" DIA COLUMN AS SCHEDULED

FACE OF PORCH EDGE

FACE OF CONCRETE WALL
BELOW

9"

1 1/2"

4 1/2"

6"

1 1/2"

FRONT OF BUILDING

**Michael
Willis
Architects**



MWA JOB #: 200807

REVISION:
- -

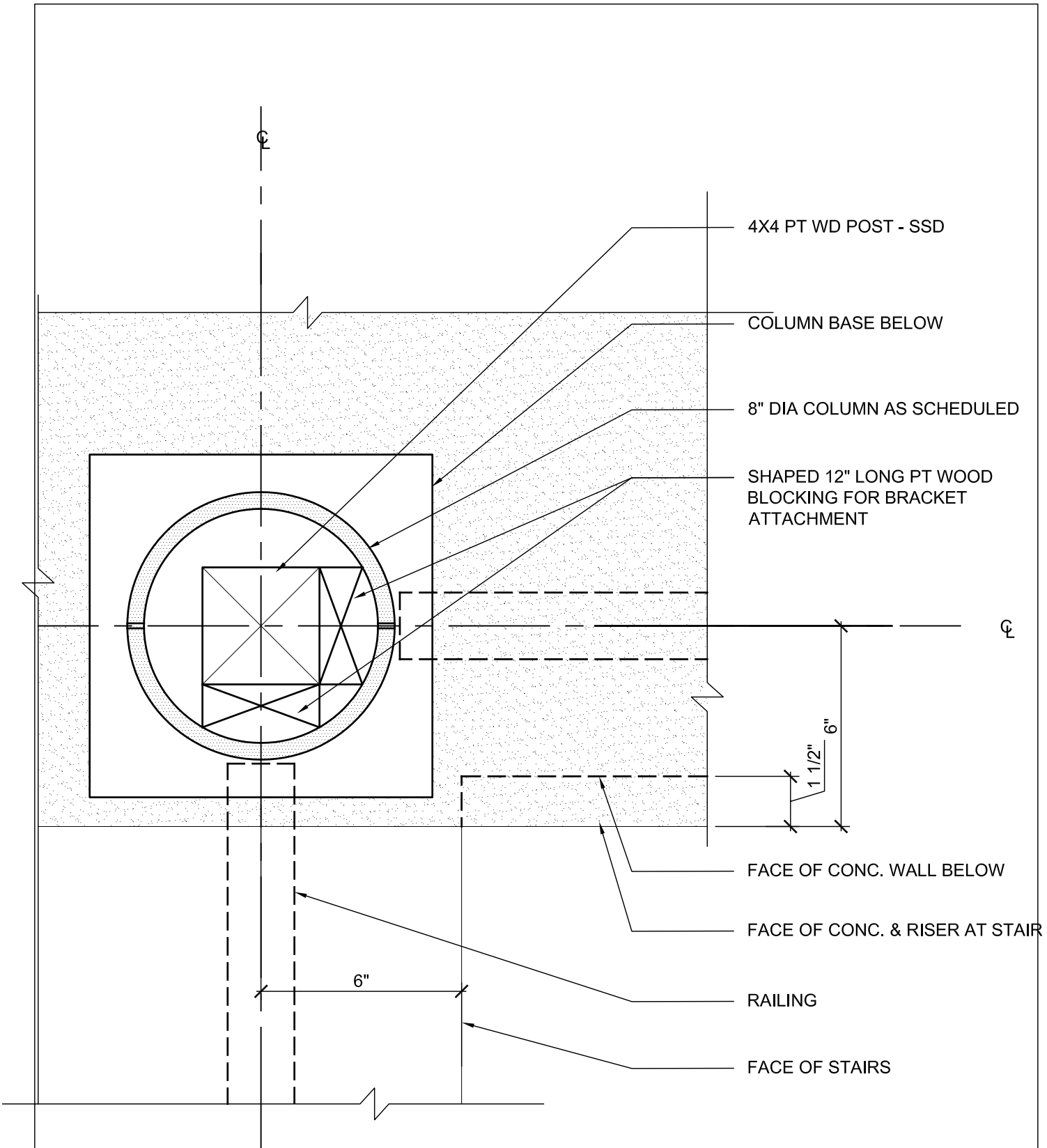
TREME/LAFITTE AND TULANE GRAVIER HOME
BUILDING PLAN
NEW ORLEANS, LOUISIANA

DATE: 10/14/08

SCALE: 3"=1'-0"

8IN. ROUND COLUMN AT CORNER

A520 101



MWA JOB #: 200807

REVISION:
- -

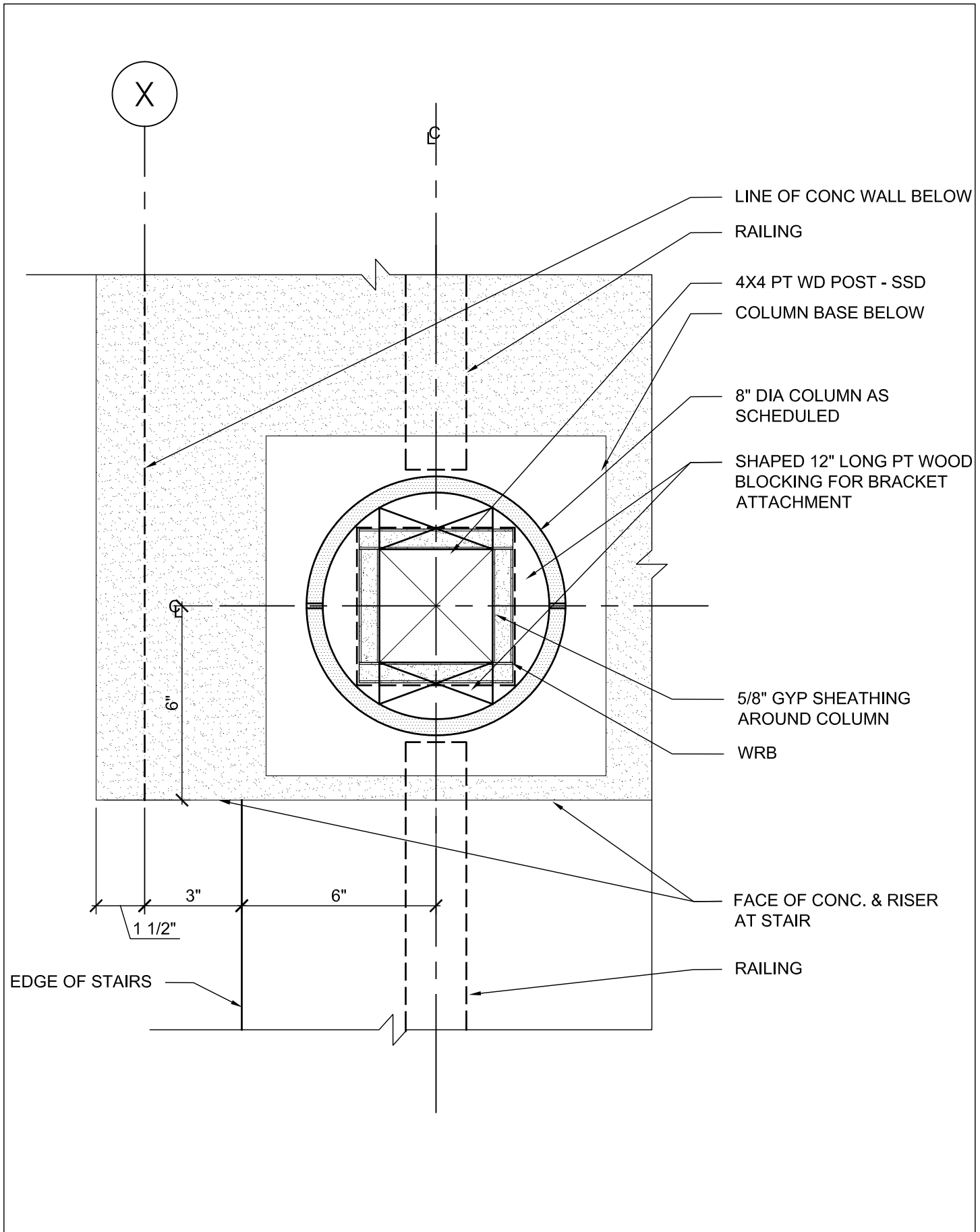
TREME/LAFITTE AND TULANE GRAVIER HOME
BUILDING PLAN
NEW ORLEANS, LOUISIANA

DATE: 10/14/08

SCALE: ViewportScale

8 IN ROUND COLUMN AT STAIRS

A520-101A



LINE OF CONC WALL BELOW

RAILING

4X4 PT WD POST - SSD

COLUMN BASE BELOW

8" DIA COLUMN AS SCHEDULED

SHAPED 12" LONG PT WOOD BLOCKING FOR BRACKET ATTACHMENT

5/8" GYP SHEATHING AROUND COLUMN

WRB

FACE OF CONC. & RISER AT STAIR

RAILING



MWA JOB #: 200807

REVISION: -

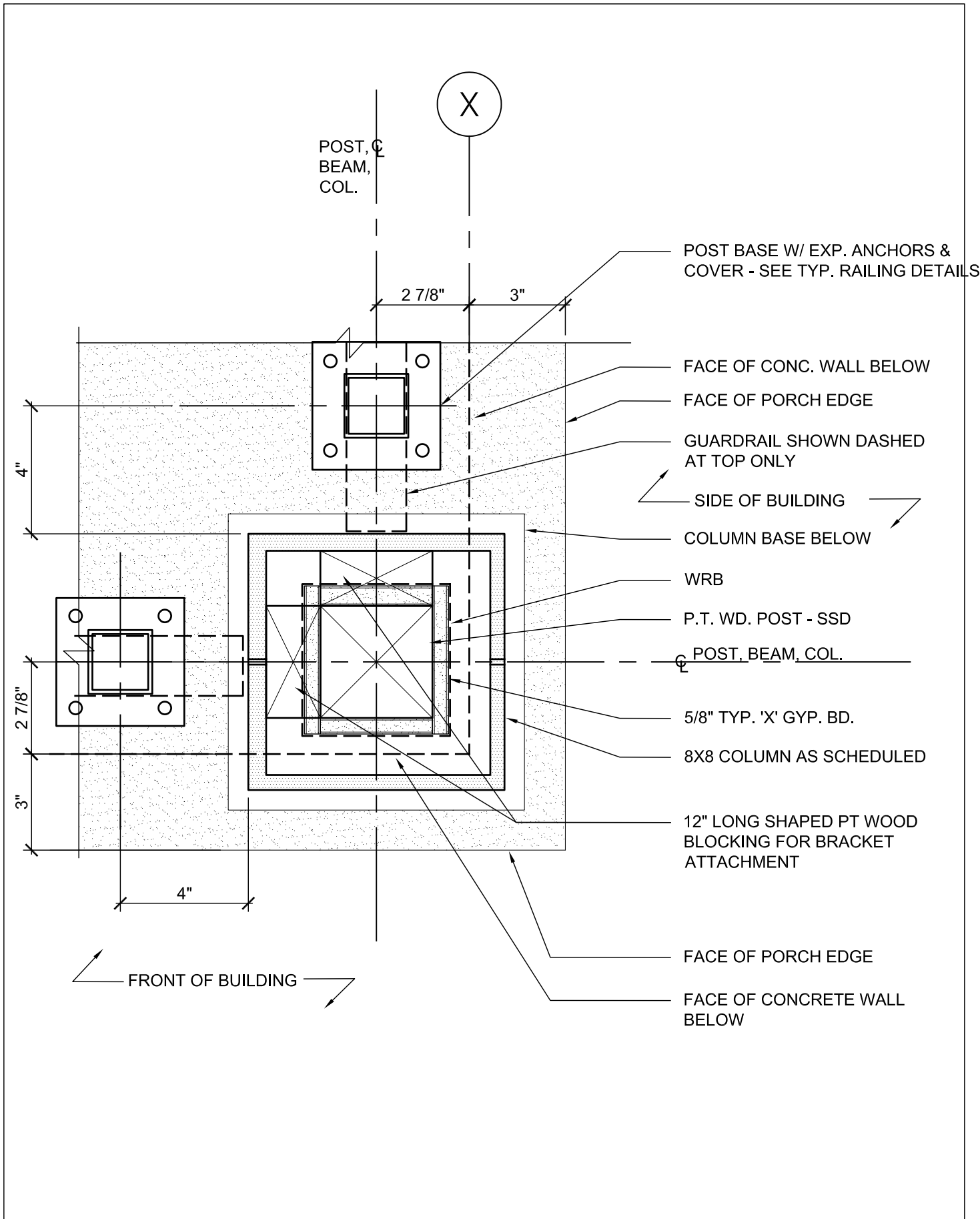
TREME/LAFITTE AND TULANE GRAVIER HOME
BUILDING PLAN
NEW ORLEANS, LOUISIANA

DATE: 10/14/08

SCALE: ViewportScale

8 IN ROUND COLUMN AT STAIRS

A520-101B



POST, BEAM, COL.

X

POST BASE W/ EXP. ANCHORS & COVER - SEE TYP. RAILING DETAILS

2 7/8" 3"

FACE OF CONC. WALL BELOW

FACE OF PORCH EDGE

GUARDRAIL SHOWN DASHED AT TOP ONLY

SIDE OF BUILDING

COLUMN BASE BELOW

WRB

P.T. WD. POST - SSD

POST, BEAM, COL.

5/8" TYP. 'X' GYP. BD.

8X8 COLUMN AS SCHEDULED

12" LONG SHAPED PT WOOD BLOCKING FOR BRACKET ATTACHMENT

FACE OF PORCH EDGE

FACE OF CONCRETE WALL BELOW


4"

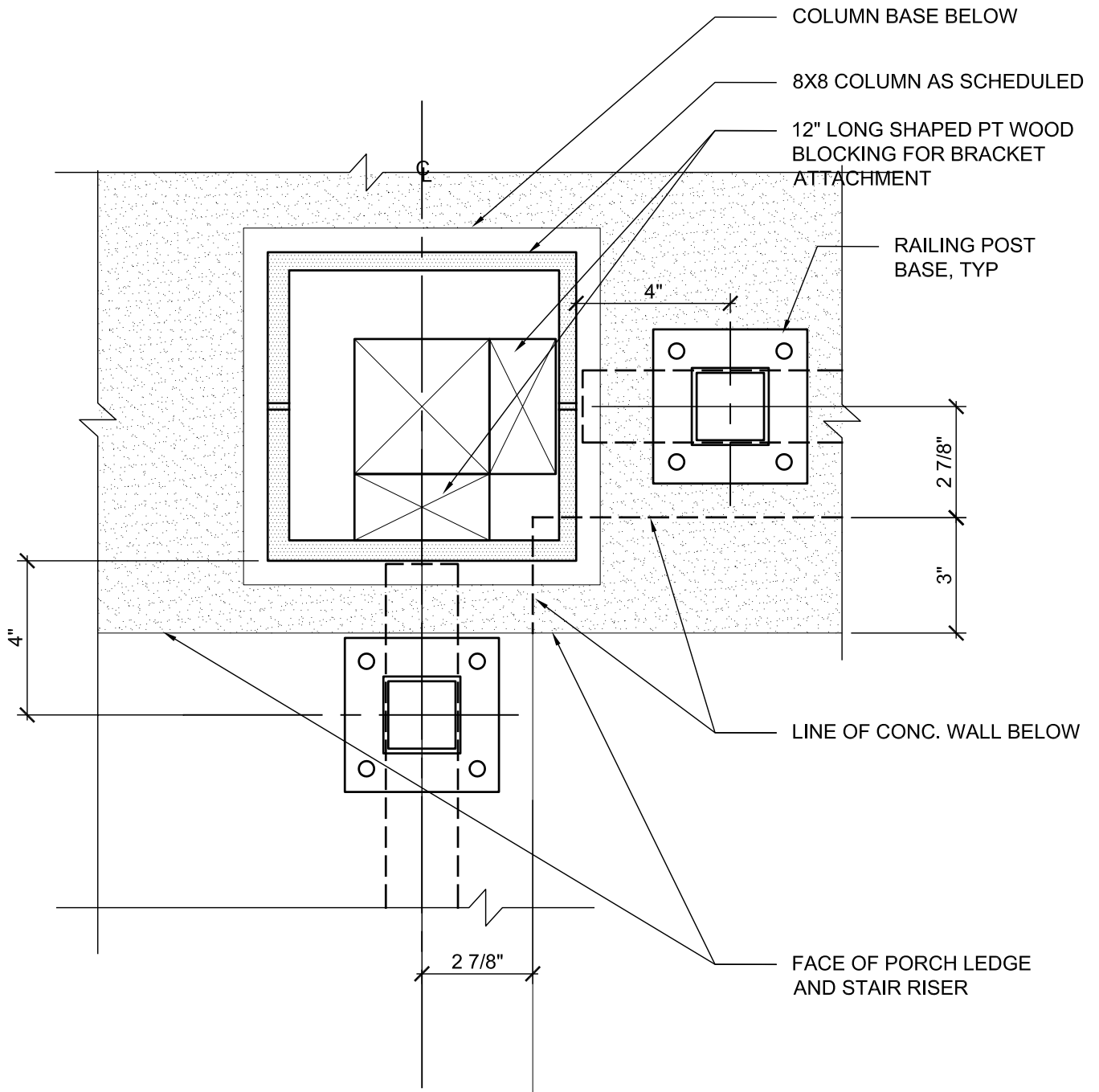
2 7/8"

3"

4"

FRONT OF BUILDING

	MWA JOB #: 200807	TREME/LAFITTE AND TULANE GRAVIER HOME	DATE: 10/14/08
	REVISION: -	BUILDING PLAN NEW ORLEANS, LOUISIANA	SCALE: 3"=1'-0"
8 IN. SQUARE COLUMN BASE			A520 102



**Michael
Willis
Architects**



MWA JOB #: 200807

REVISION:
- -

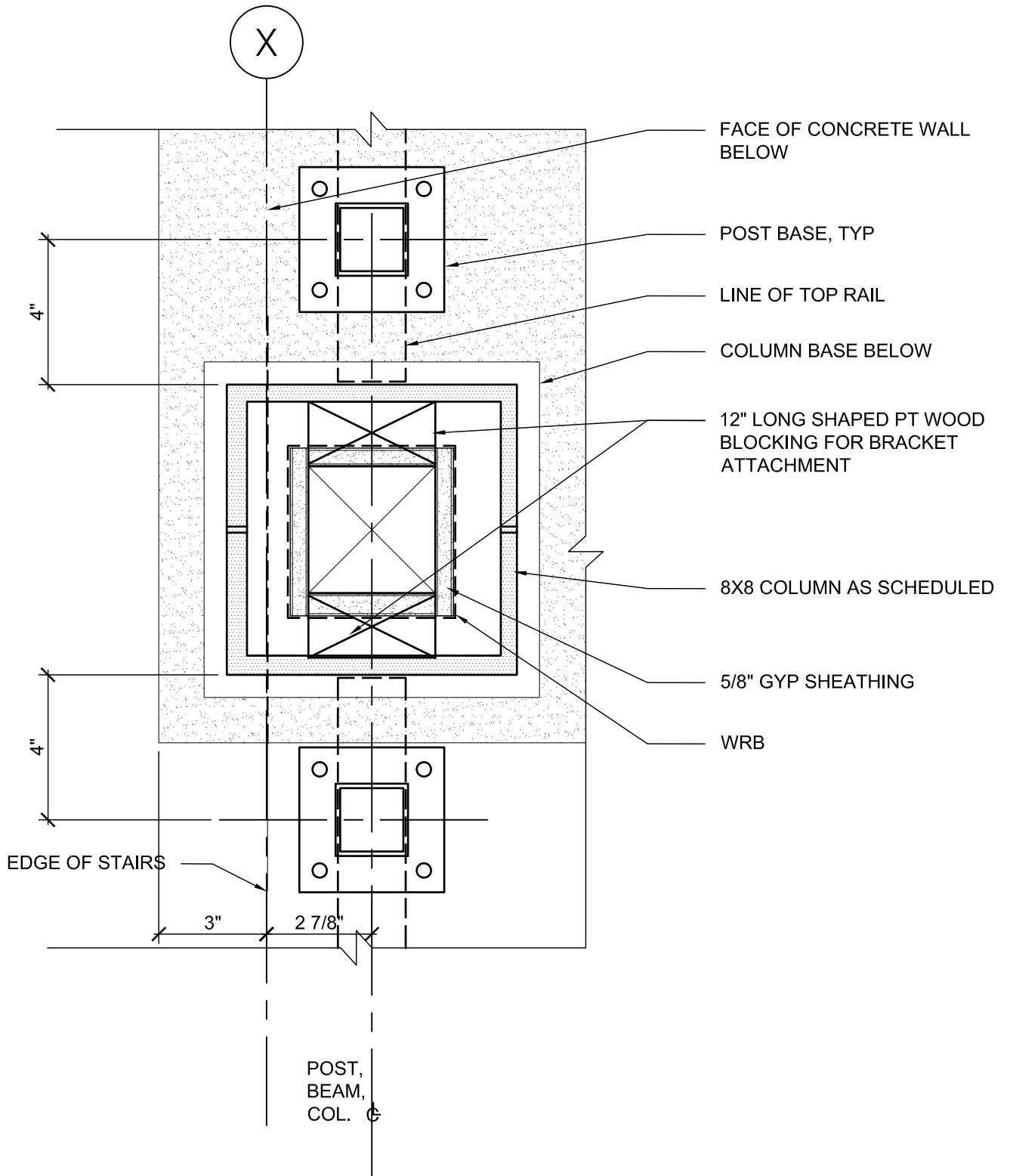
TREME/LAFITTE AND TULANE GRAVIER HOME
BUILDING PLAN
NEW ORLEANS, LOUISIANA

8 INCH SQUARE COLUMN AT
STAIRS

DATE: 10/14/08

SCALE: ViewportScale

A520-102A



**Michael
Willis
Architects**



MWA JOB #: 200807

REVISION: - -

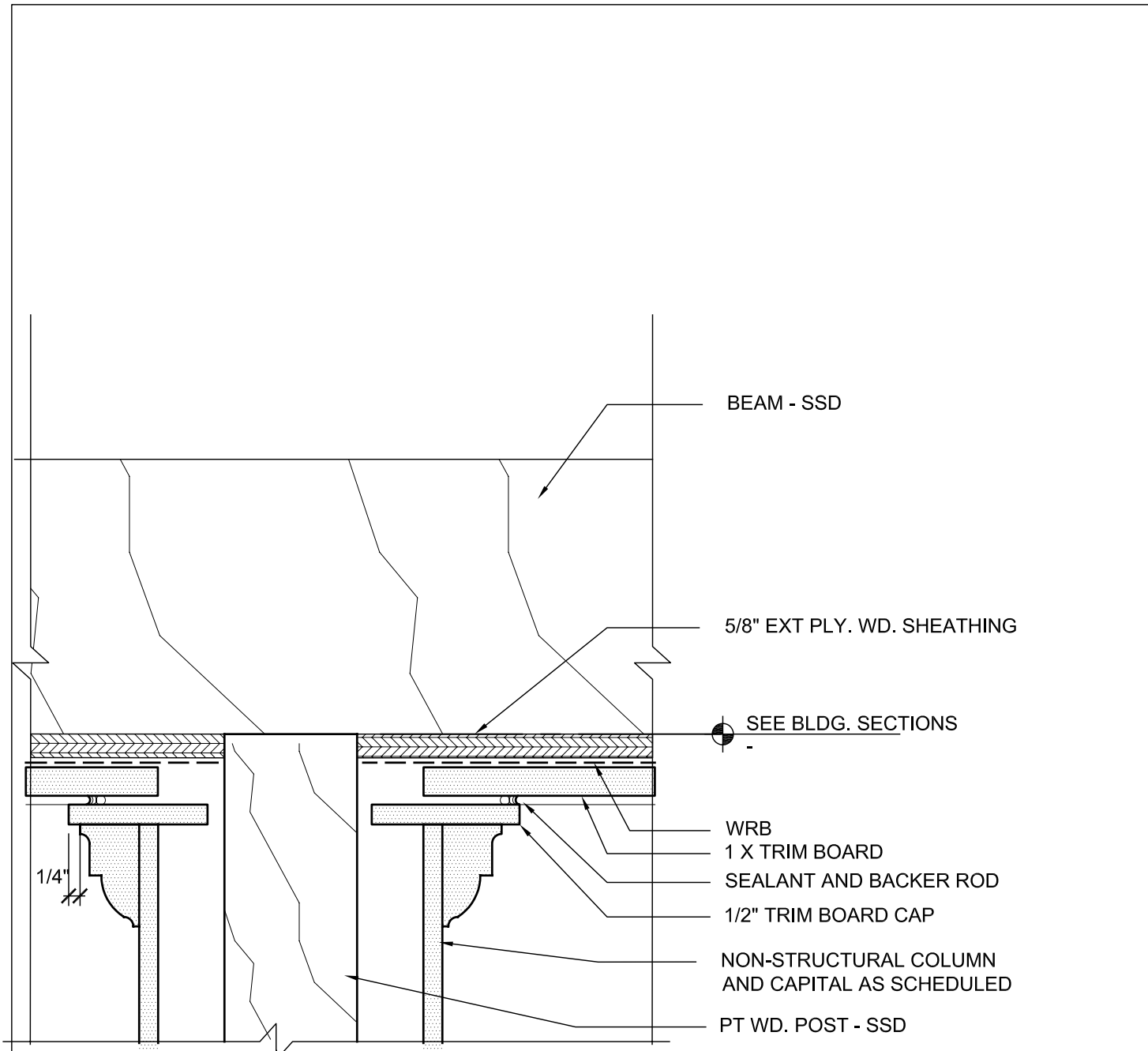
TREME/LAFITTE AND TULANE GRAVIER HOME
BUILDING PLAN
NEW ORLEANS, LOUISIANA

DATE: 10/14/08

SCALE: ViewportScale

8 IN SQ COLUMN AT STAIRS

A520-102B




BEAM - SSD

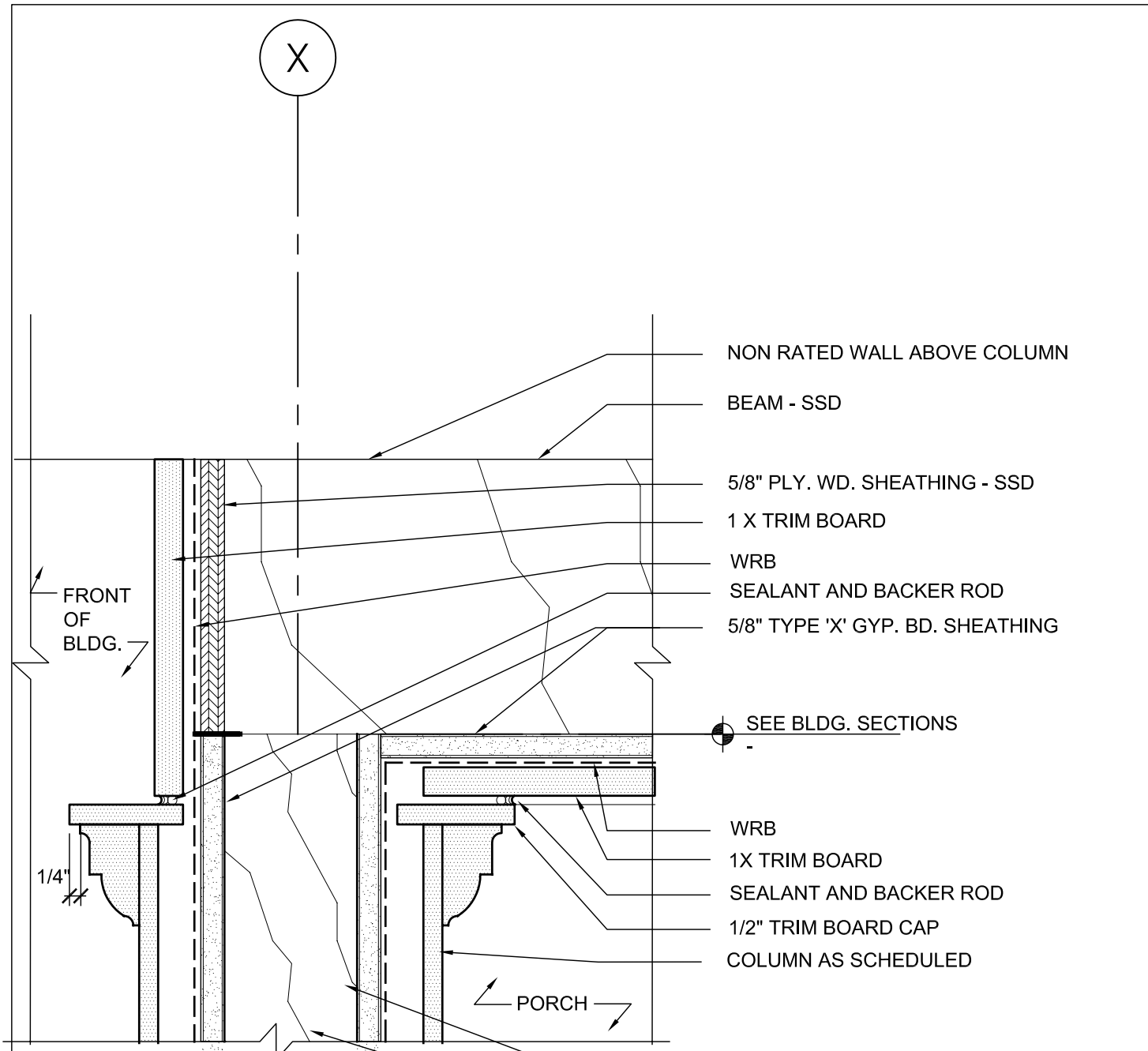
5/8" EXT PLY. WD. SHEATHING

SEE BLDG. SECTIONS


- WRB
- 1 X TRIM BOARD
- SEALANT AND BACKER ROD
- 1/2" TRIM BOARD CAP
- NON-STRUCTURAL COLUMN AND CAPITAL AS SCHEDULED
- PT WD. POST - SSD

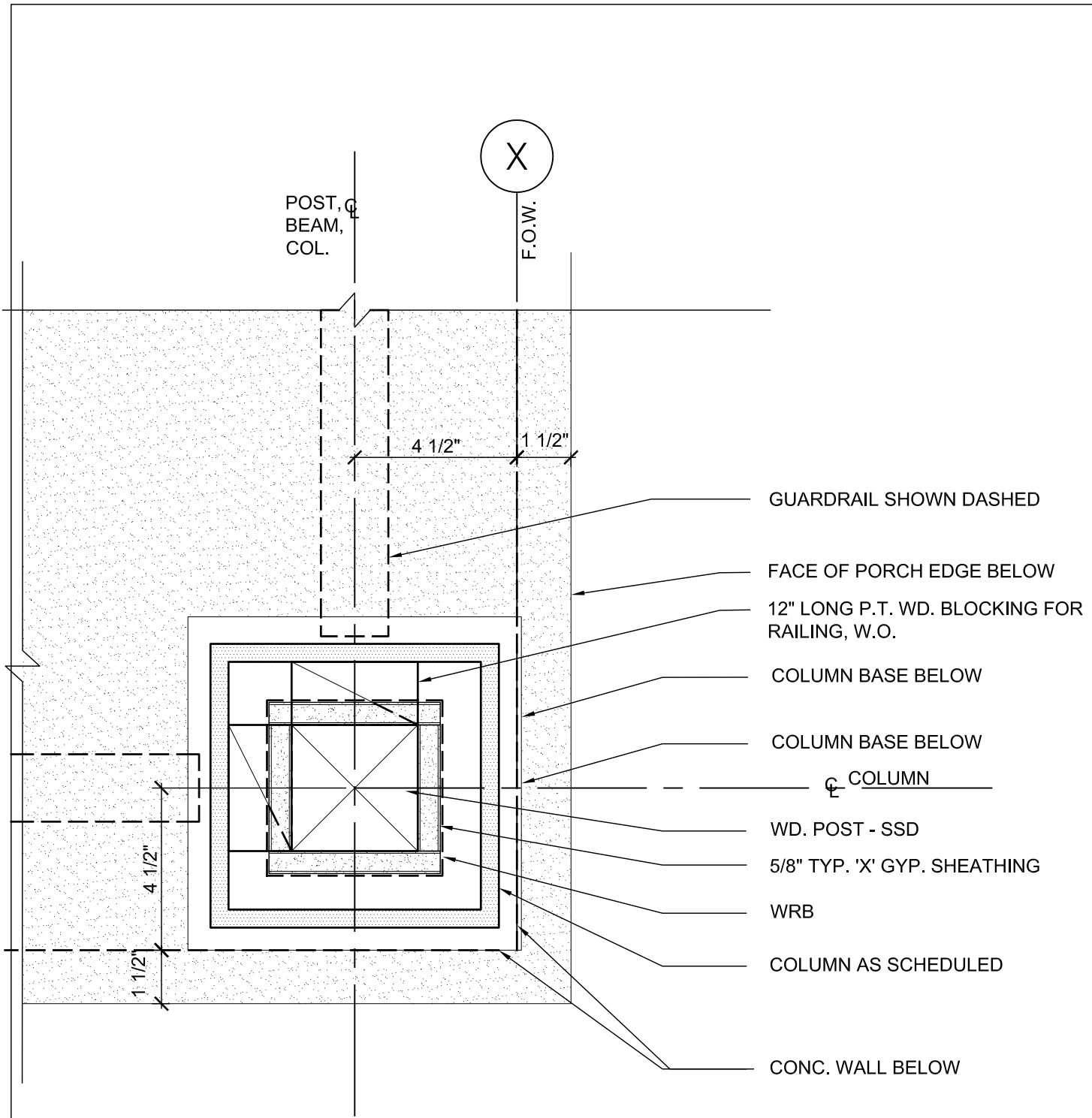
1/4" //

	MWA JOB #: 200807	TREME/LAFITTE AND TULANE GRAVIER HOME BUILDING PLAN NEW ORLEANS, LOUISIANA	DATE: 10/14/08
	REVISION: -		SCALE: 3"=1'-0"
8 IN. COLUMN CAPITAL			A520 103




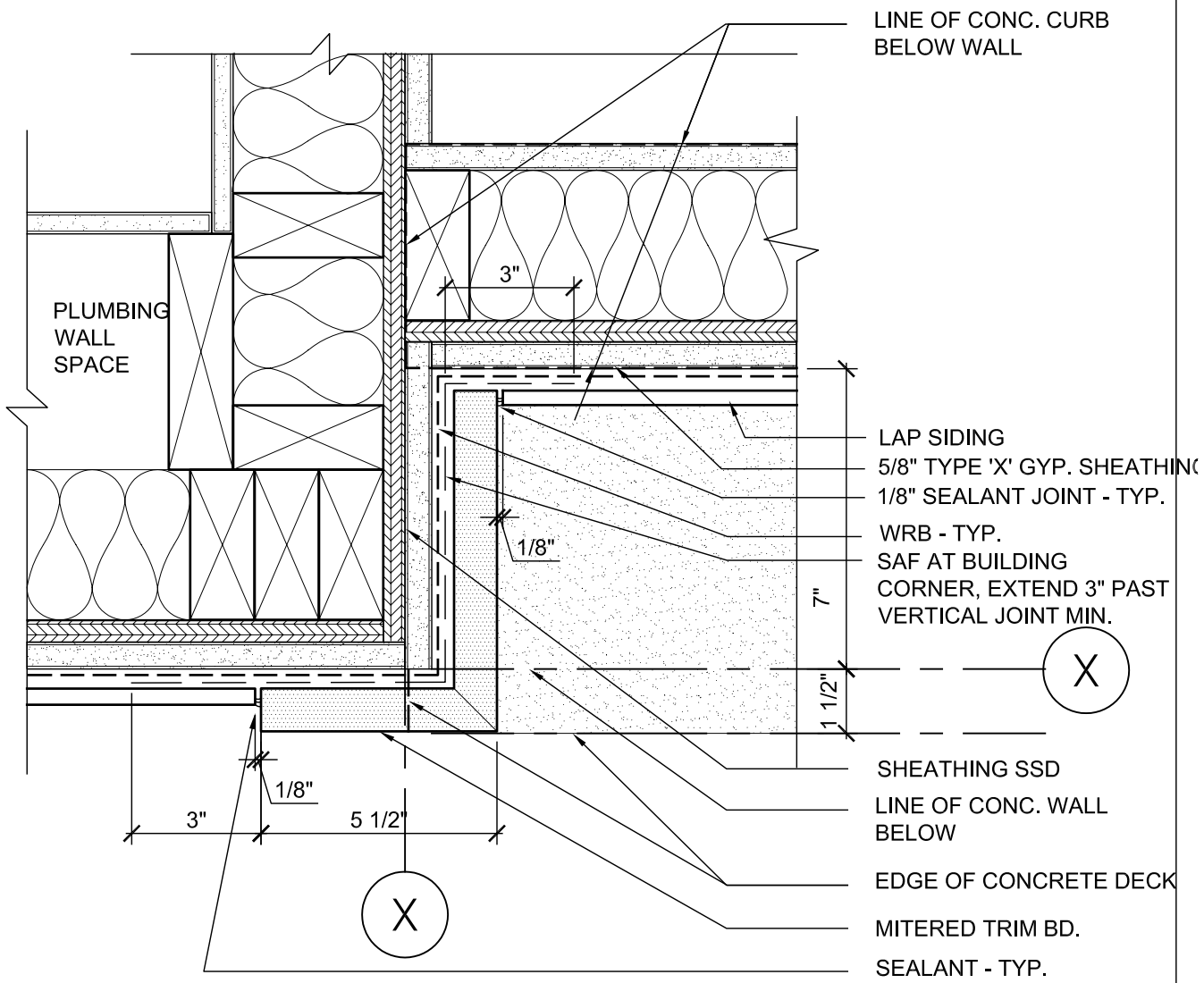
- NON RATED WALL ABOVE COLUMN
- BEAM - SSD
- 5/8" PLY. WD. SHEATHING - SSD
- 1 X TRIM BOARD
- WRB
- SEALANT AND BACKER ROD
- 5/8" TYPE 'X' GYP. BD. SHEATHING
- SEE BLDG. SECTIONS
- WRB
- 1X TRIM BOARD
- SEALANT AND BACKER ROD
- 1/2" TRIM BOARD CAP
- COLUMN AS SCHEDULED
- WD. POST - SSD
- 1-HR. COLUMN @ CORNER POST

	MWA JOB #: 200807	TREME/LAFITTE AND TULANE GRAVIER HOME	DATE: 10/14/08
	REVISION: - -	BUILDING PLAN NEW ORLEANS, LOUISIANA	SCALE: 3" = 1'-0"
1-HR COLUMN CAPITAL			A520-104

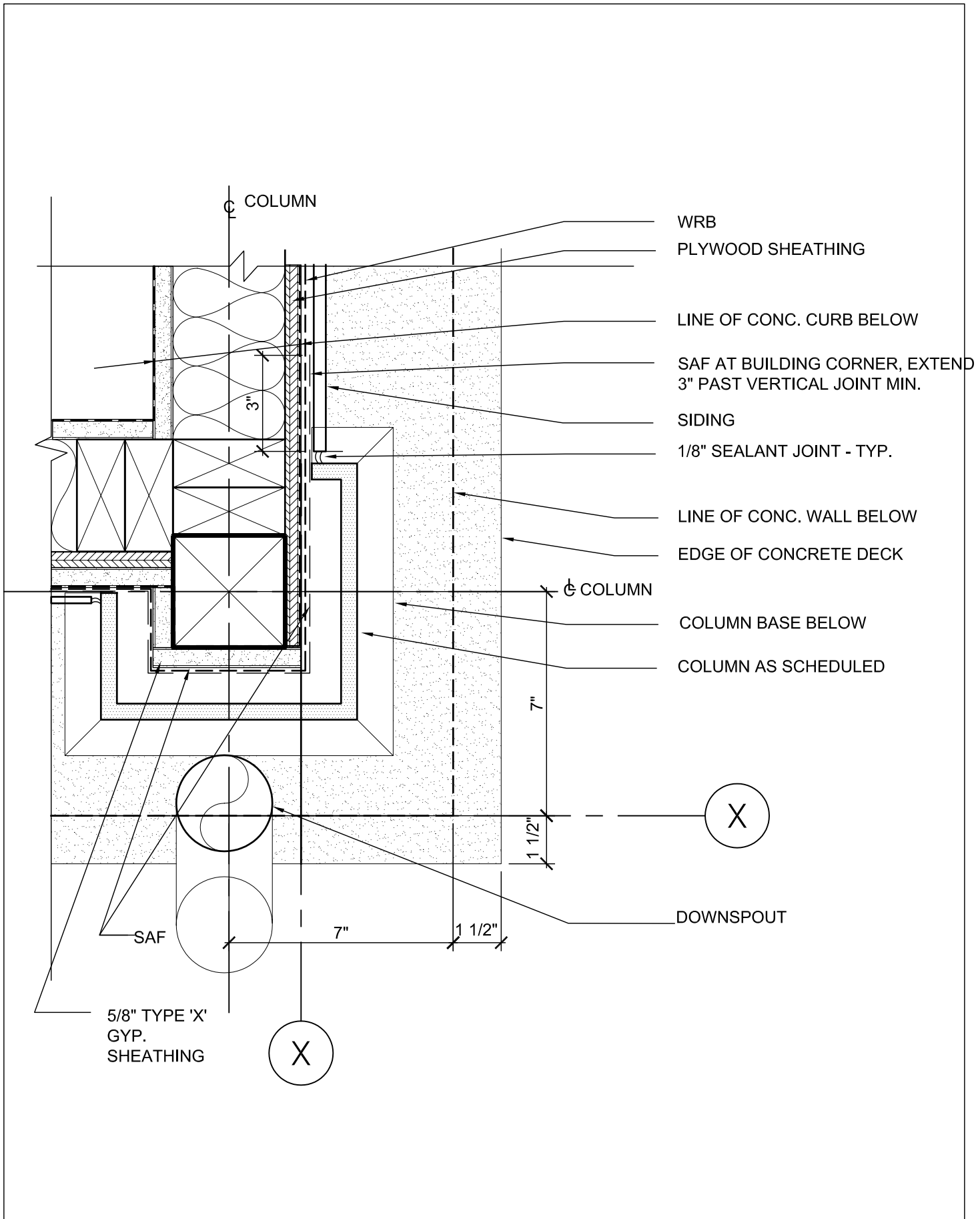


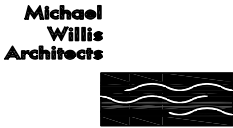
- GUARDRAIL SHOWN DASHED
- FACE OF PORCH EDGE BELOW
- 12" LONG P.T. WD. BLOCKING FOR RAILING, W.O.
- COLUMN BASE BELOW
- COLUMN BASE BELOW
- CL COLUMN
- WD. POST - SSD
- 5/8" TYP. 'X' GYP. SHEATHING
- WRB
- COLUMN AS SCHEDULED
- CONC. WALL BELOW

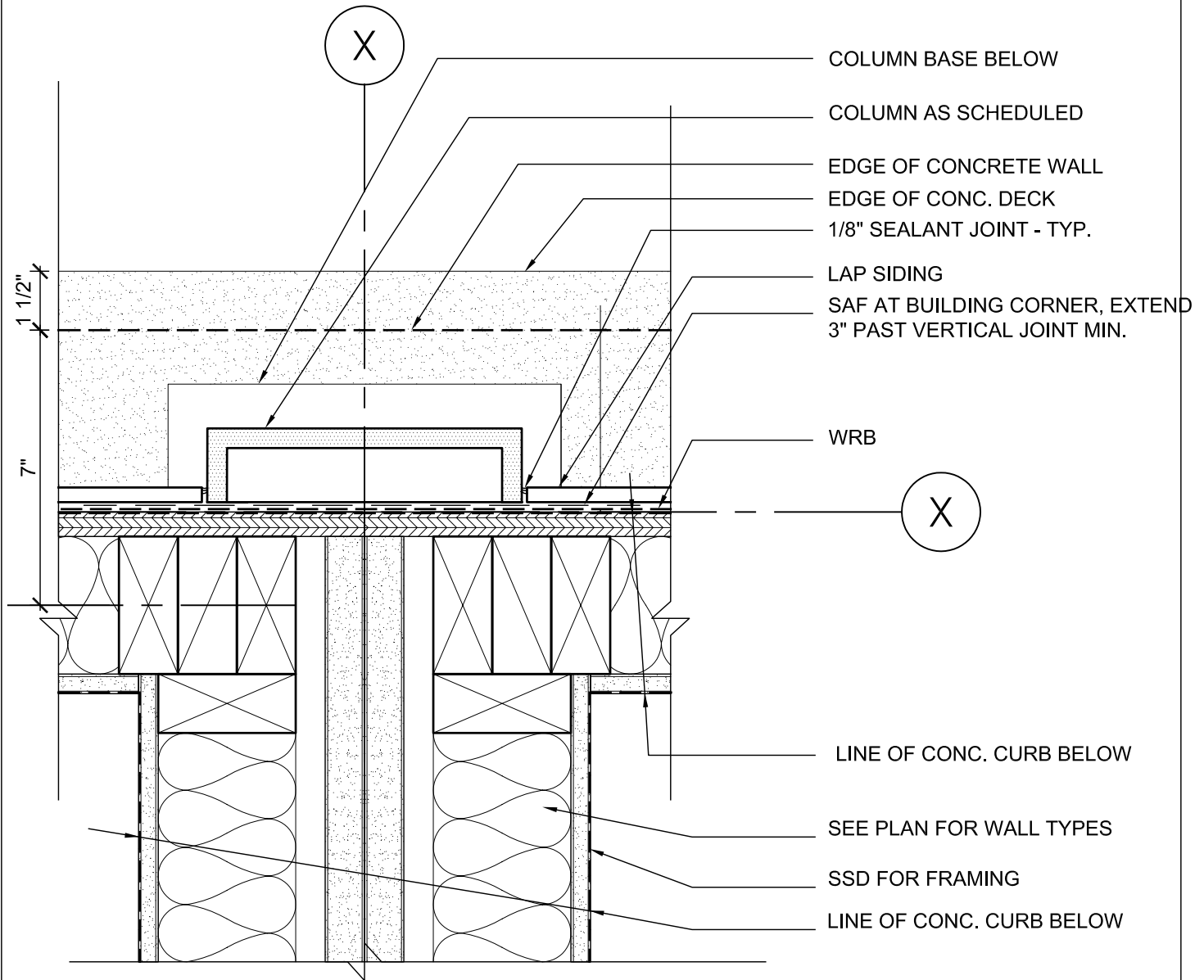
	MWA JOB #: 200807	TREME/LAFITTE AND TULANE GRAVIER HOME	DATE: 10/14/08
	REVISION: -	BUILDING PLAN NEW ORLEANS, LOUISIANA	SCALE: 3"=1'-0"
		1-HR SQUARE COLUMN BASE	A520-105

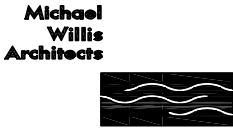


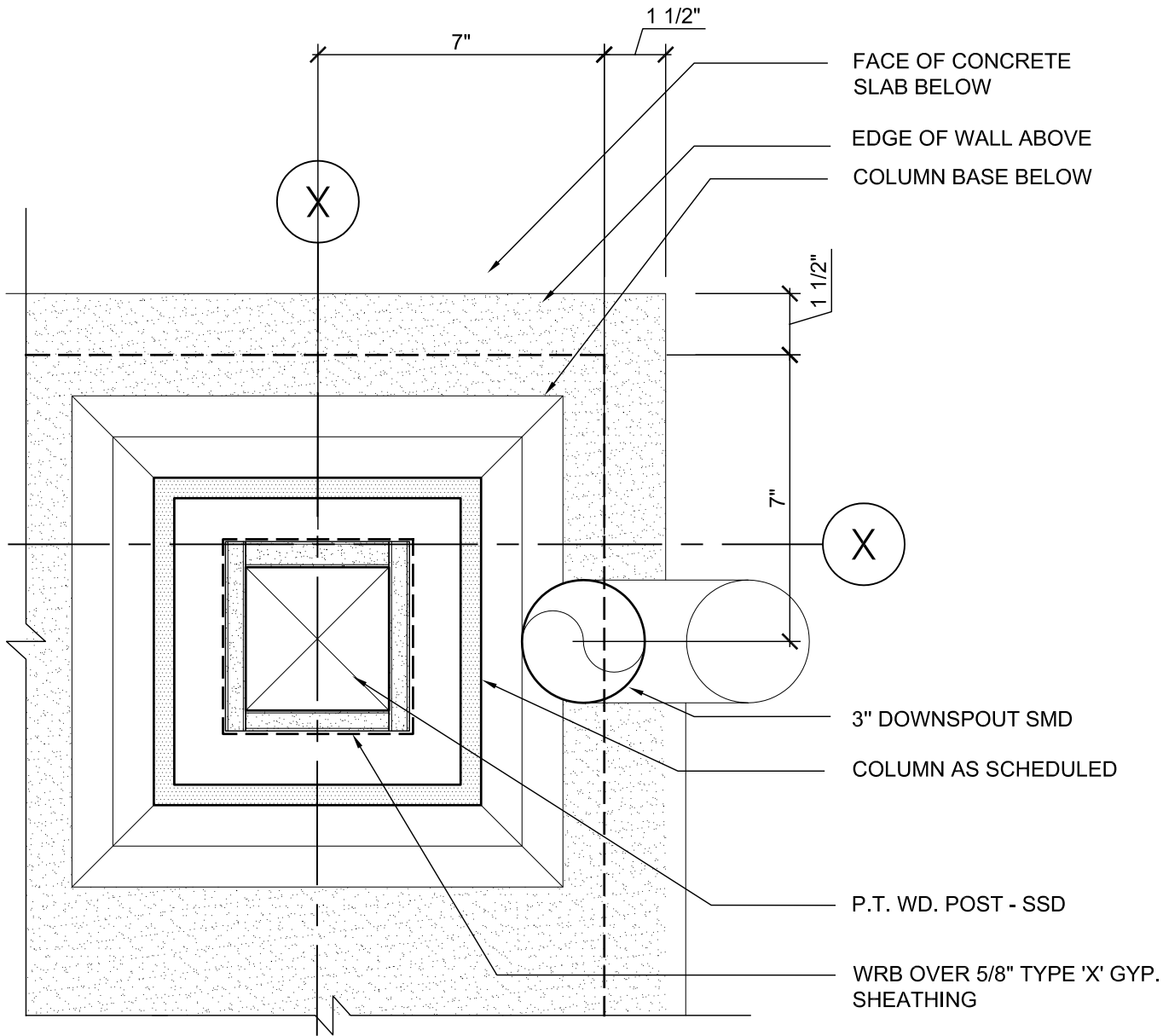
	MWA JOB #: 200807	TREME/LAFITTE AND TULANE GRAVIER HOME BUILDING PLAN NEW ORLEANS, LOUISIANA	DATE: 10/14/08
	REVISION: -	DETAIL AT PORCH RECESS	SCALE: ViewportScale
			A520-106



	MWA JOB #: 200807	TREME/LAFITTE AND TULANE GRAVIER HOME	DATE: 10/14/08
	REVISION: -	BUILDING PLAN NEW ORLEANS, LOUISIANA	SCALE: 3"=1'-0"
DETAIL AT PORCH COLUMN			A520-107



	MWA JOB #: 200807	TREME/LAFITTE AND TULANE GRAVIER HOME	DATE: 10/14/08
	REVISION: -	BUILDING PLAN NEW ORLEANS, LOUISIANA	SCALE: 3" = 1'-0"
DETAIL @ PORCH COLUMN			A520-108



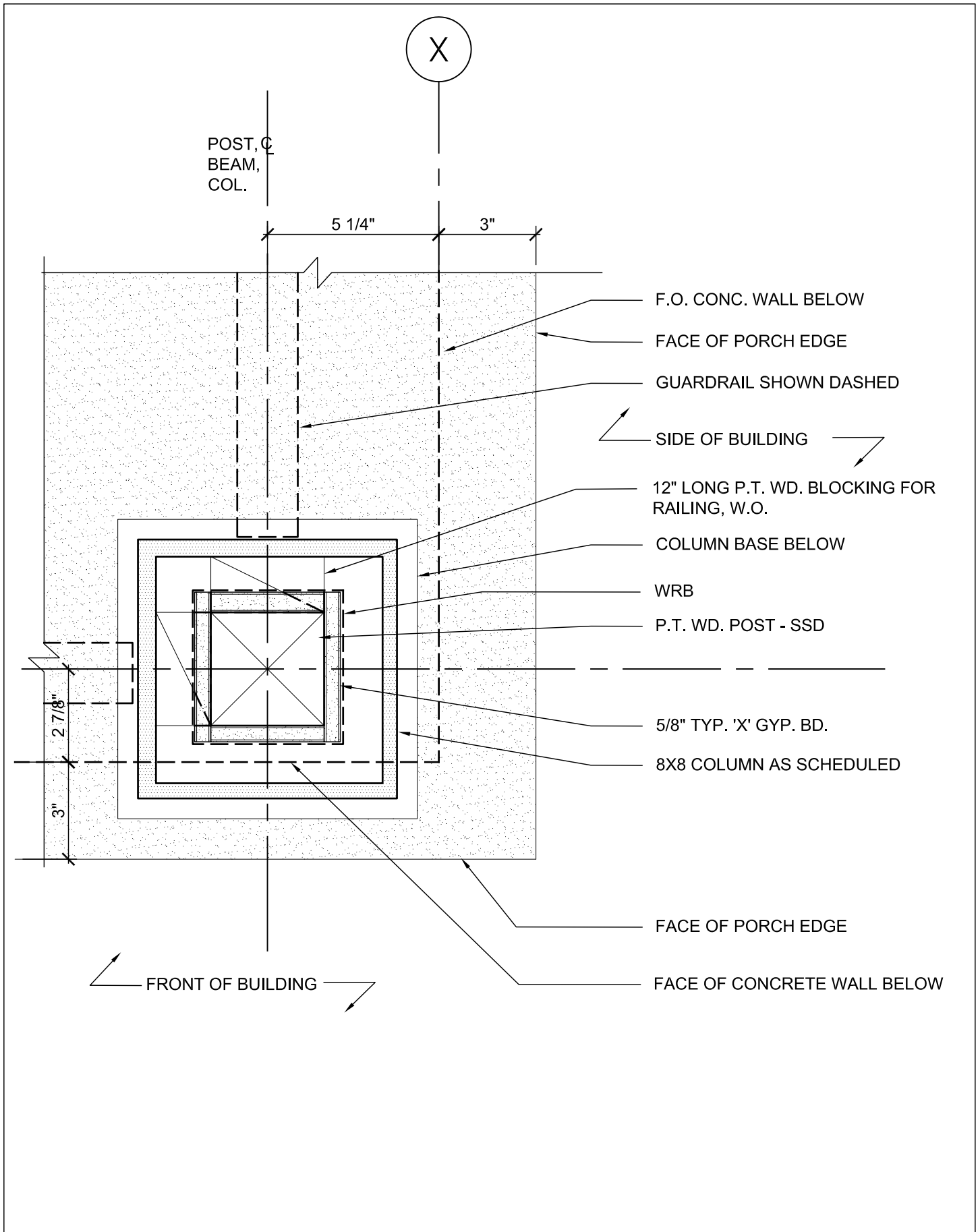
MWA JOB #: 200807
 REVISION: -

TREME/LAFITTE AND TULANE GRAVIER HOME
 BUILDING PLAN
 NEW ORLEANS, LOUISIANA

DATE: 10/14/08
 SCALE: 3"-1'-0"

DETAIL @ PORCH COLUMN

A520 109



POST, C
BEAM,
COL.

5 1/4"

3"

F.O. CONC. WALL BELOW

FACE OF PORCH EDGE

GUARDRAIL SHOWN DASHED

SIDE OF BUILDING

12" LONG P.T. WD. BLOCKING FOR
RAILING, W.O.

COLUMN BASE BELOW

WRB

P.T. WD. POST - SSD

5/8" TYP. 'X' GYP. BD.

8X8 COLUMN AS SCHEDULED

FACE OF PORCH EDGE

FACE OF CONCRETE WALL BELOW

FRONT OF BUILDING

2 7/8"

3"

X



MWA JOB #: 200807

REVISION:
- -

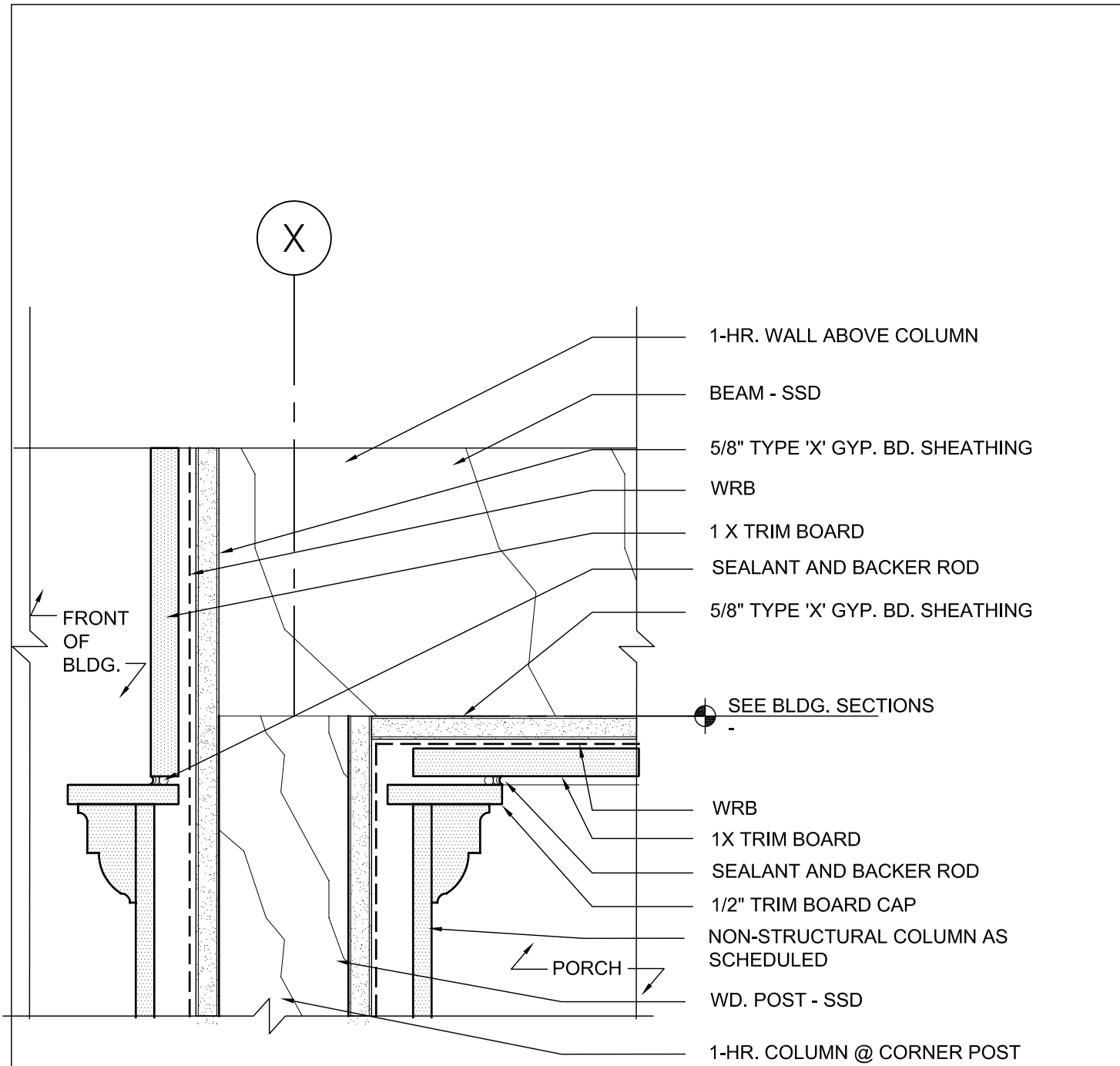
TREME/LAFITTE AND TULANE GRAVIER HOME
BUILDING PLAN
NEW ORLEANS, LOUISIANA

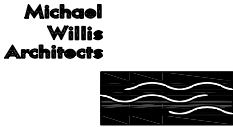
1 HR RATED SQUARE COLUMN
BASE

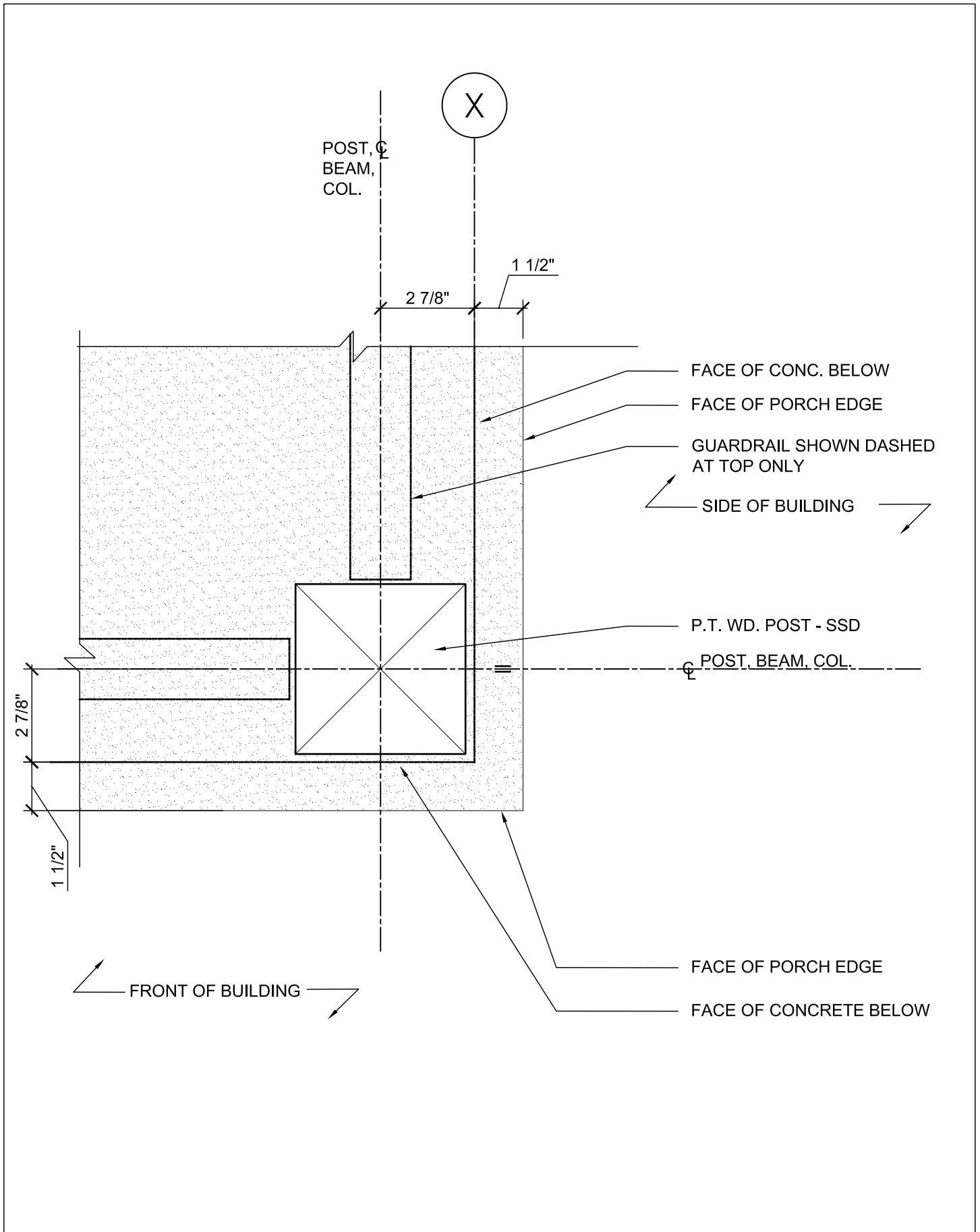
DATE: 10/14/08

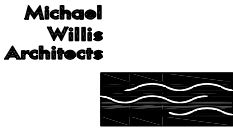
SCALE: 3" = 1'-0"

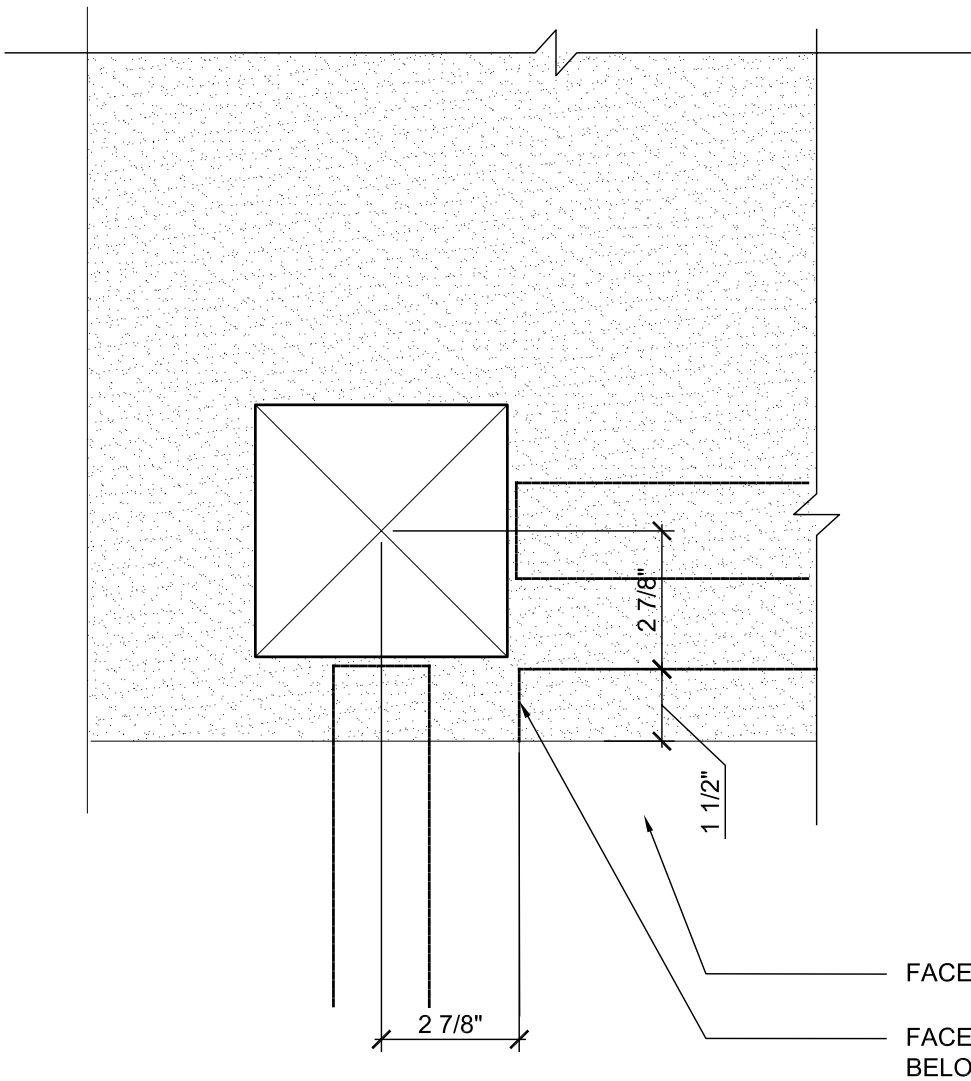
A520-110



	MWA JOB #: 200807	TREME/LAFITTE AND TULANE GRAVIER HOME	DATE: 10/14/08
	REVISION: -	BUILDING PLAN NEW ORLEANS, LOUISIANA	SCALE: 3"=1'-0"
		1-HR. FIRE RATED COLUMN CAPITAL	A520 111



	MWA JOB #: 200807	TREME/LAFITTE AND TULANE GRAVIER HOME	DATE: 10/14/08
	REVISION: - -	BUILDING PLAN NEW ORLEANS, LOUISIANA	SCALE: 3"=1'-0"
	PLAN DETAIL OF WOOD COLUMN @ PORCH		A520-112



FACE OF PORCH EDGE BELOW
 FACE OF CONCRETE BLOCK BELOW

**Michael
 Willis
 Architects**



MWA JOB #: 200807

REVISION:
 - -

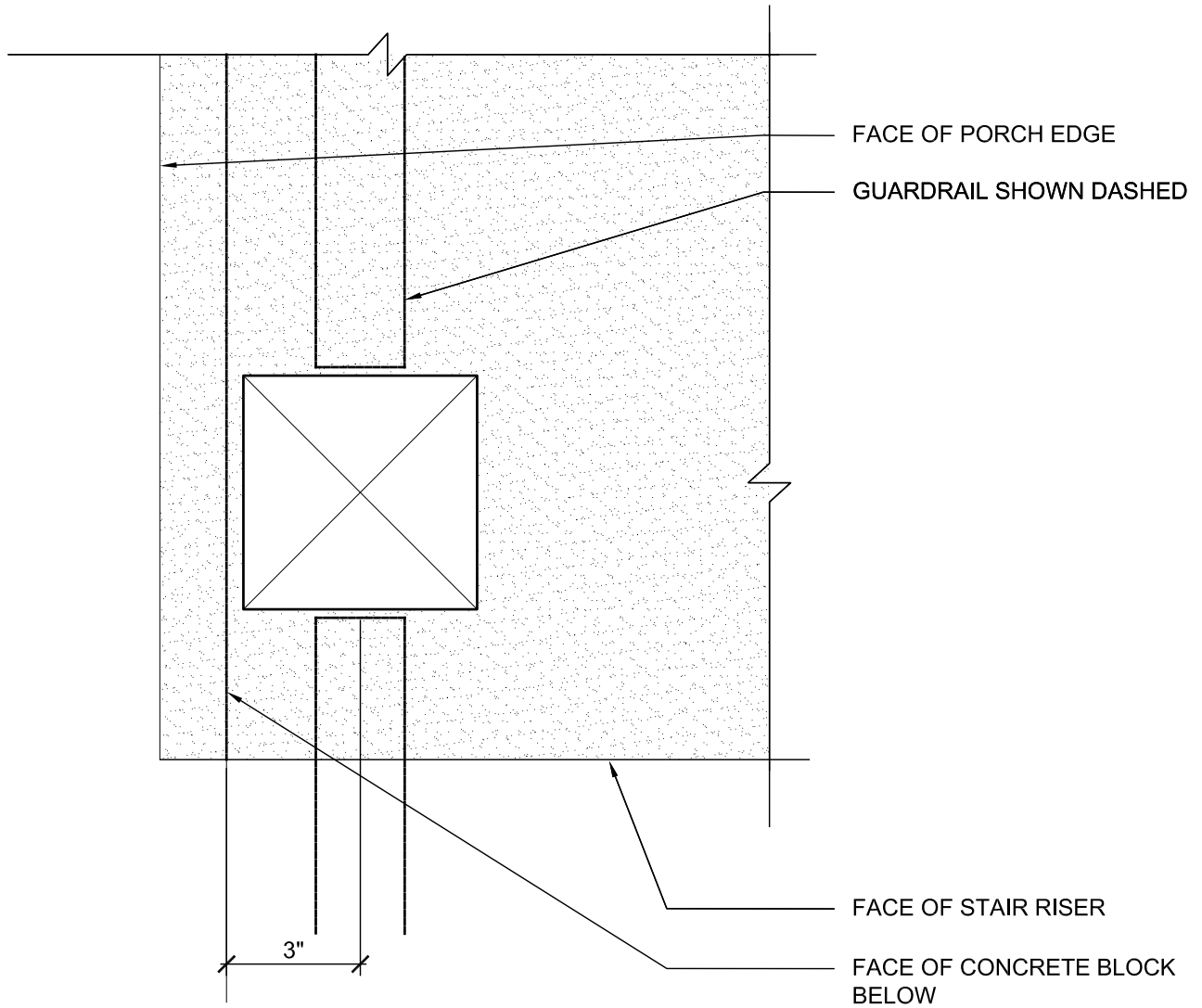
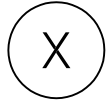
TREME/LAFITTE AND TULANE GRAVIER HOME
 BUILDING PLAN
 NEW ORLEANS, LOUISIANA

PLAN DETAIL OF WOOD COLUMN
 AT PORCH AND STAIR

DATE: 10/14/08

SCALE: 3"=1'-0"

A520-112A



MWA JOB #: 200807

REVISION:
- -

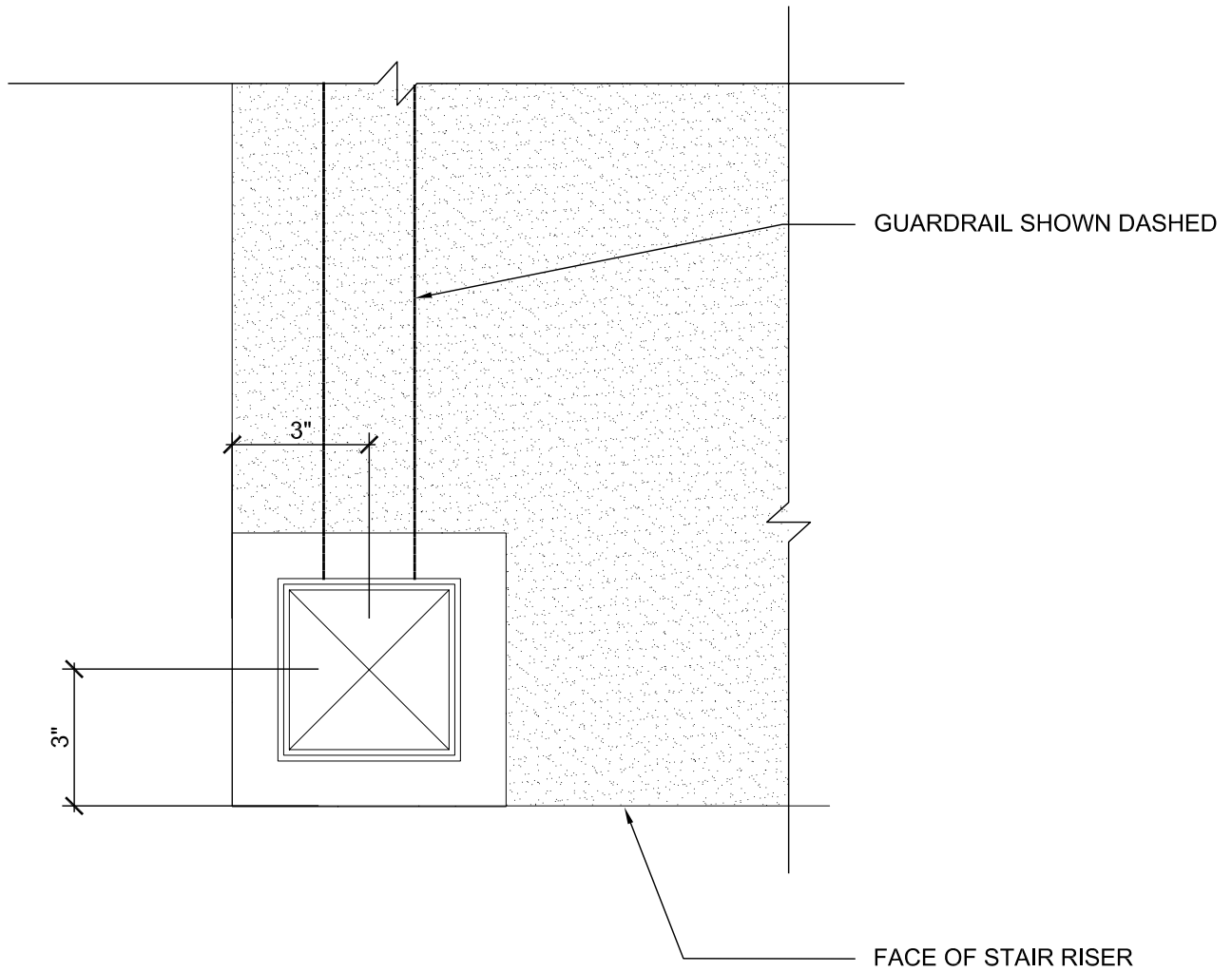
TREME/LAFITTE AND TULANE GRAVIER HOME
BUILDING PLAN
NEW ORLEANS, LOUISIANA

PLAN DETAIL OF WOOD COLUMN
@ STAIR

DATE: 10/14/08

SCALE: 3"=1'-0"

A520-112B



**Michael
Willis
Architects**



MWA JOB #: 200807

REVISION:
- -

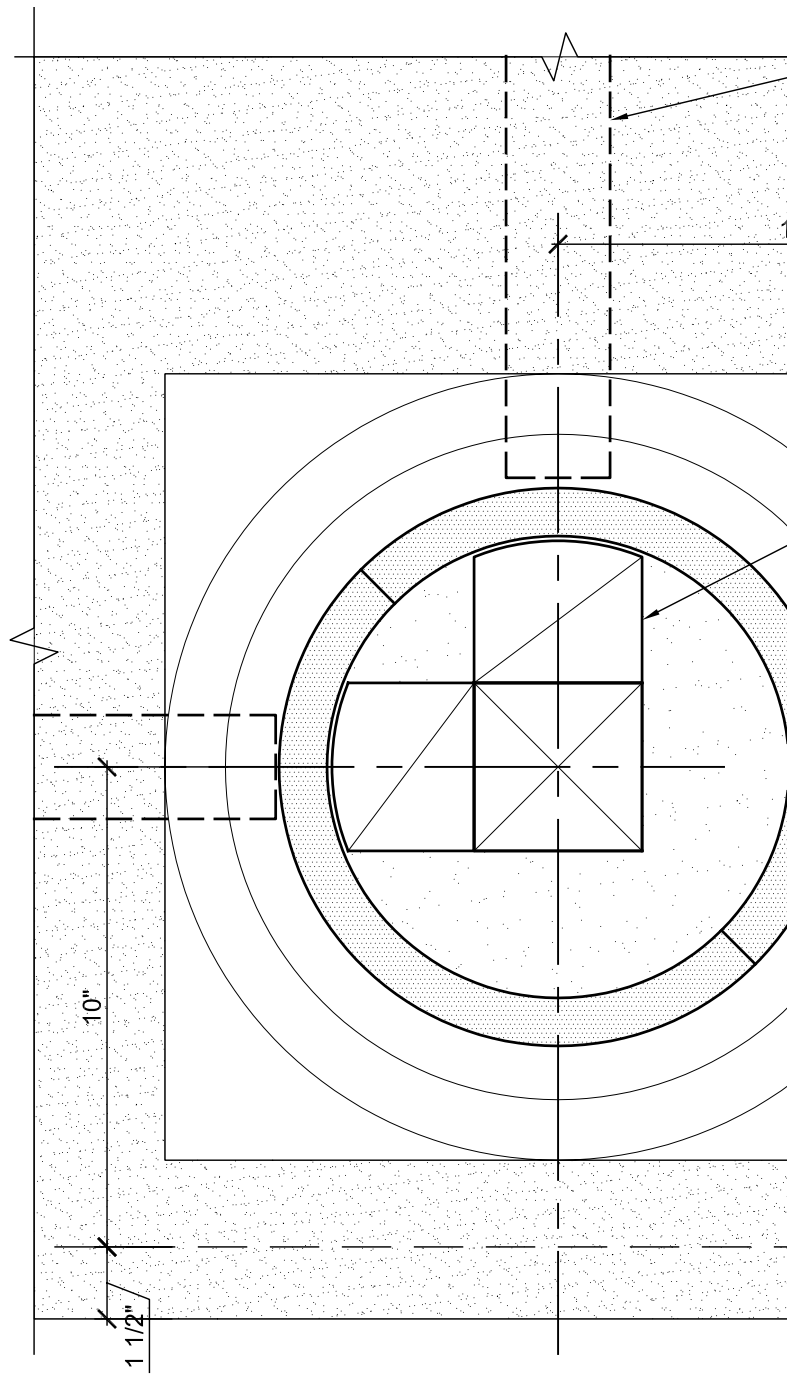
TREME/LAFITTE AND TULANE GRAVIER HOME
BUILDING PLAN
NEW ORLEANS, LOUISIANA

DATE: 10/14/08

SCALE: 3"=1'-0"

PLAN DETAIL OF POST @ STAIR

A520-112C



TREME/LAFITTE AND TULANE GRAVIER HOME BUILDING PLAN

NEW ORLEANS, LOUISIANA

8 INCH ROUND COLUMN BASE AT
PORCH

X

EDGE OF PORCH

FACE OF CONCRETE WALL BELOW

1 1/2"

PT. WOOD BLOCKING FOR HANDRAIL

8"

COLUMN AS SCHEDULED

RAILING AS SCHEDULED

1 1/2"

8"

Michael Willis Architects



MWA JOB #: 200807

REVISION: -

TREME/LAFITTE AND TULANE GRAVIER HOME BUILDING PLAN NEW ORLEANS, LOUISIANA

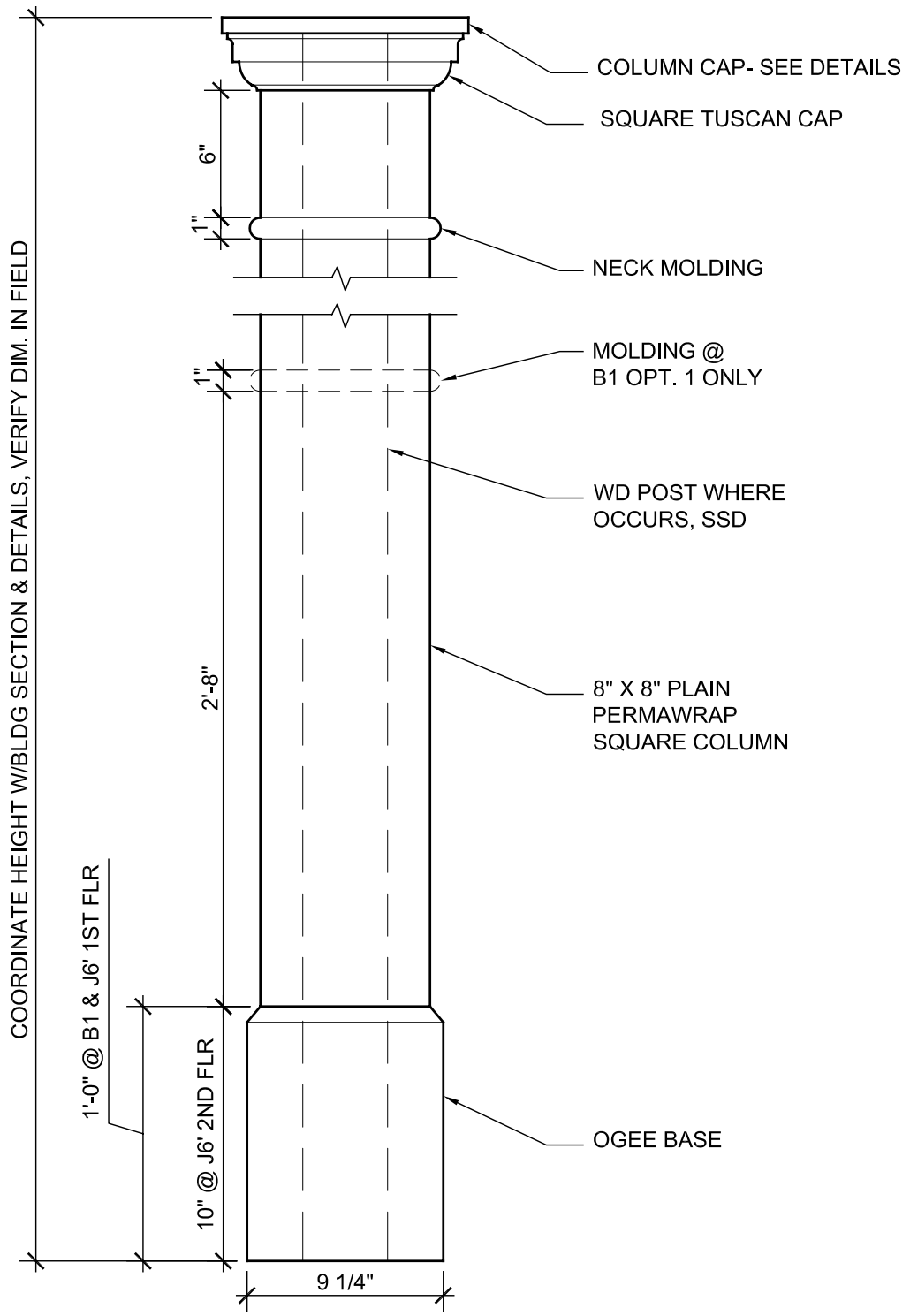
DATE: 10/14/08

SCALE: ViewportScale

COLUMN AT CONC. PORCH

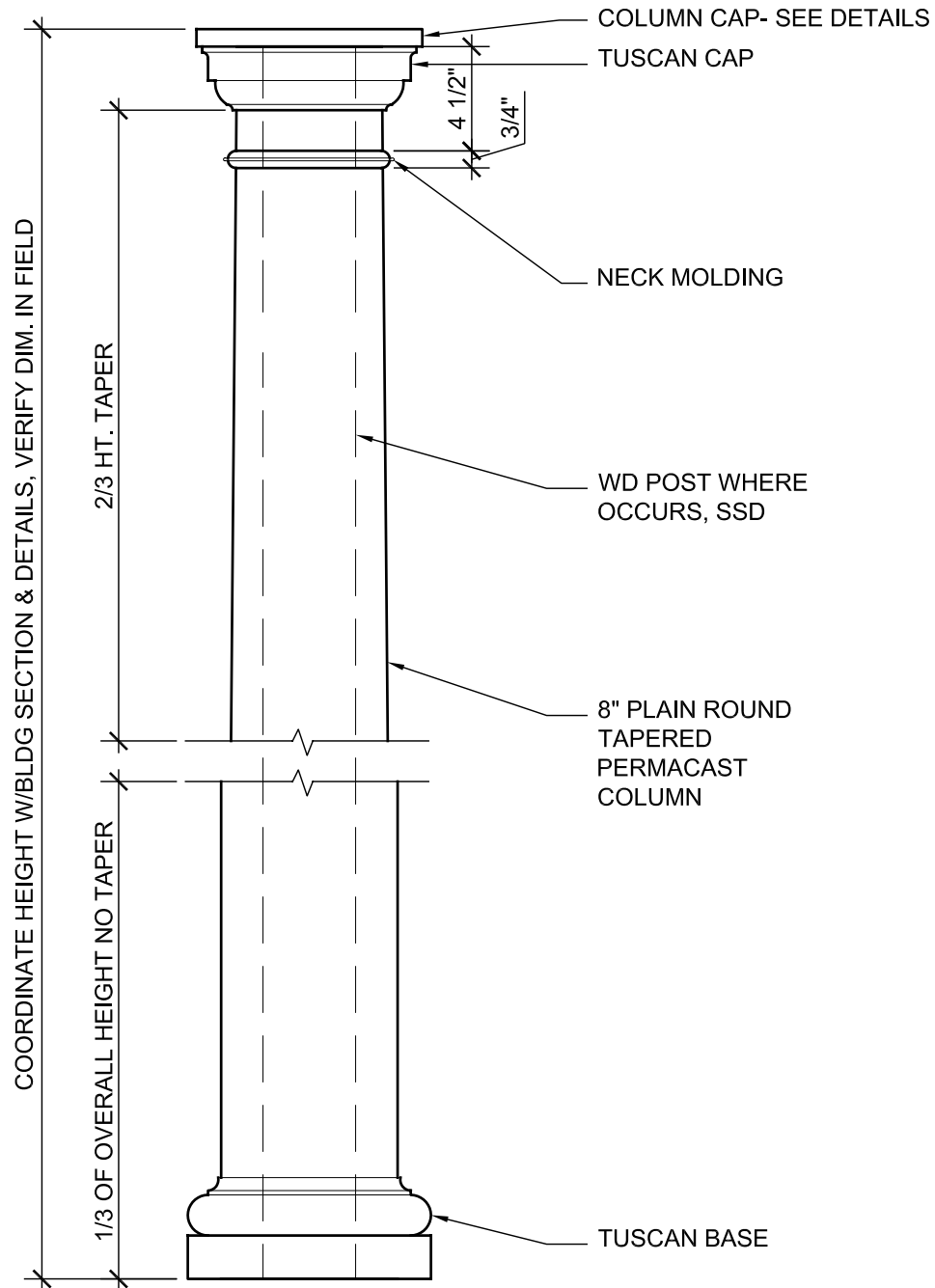
A520-117

NOTE: DETAIL OCCURS @
B1 OPT. 1, J6'



MWA JOB #: 200807 REVISION: -	TREME/LAFITTE AND TULANE GRAVIER HOME BUILDING PLAN NEW ORLEANS, LOUISIANA	DATE: 10/14/08 SCALE: 1 1/2" = 1'-0"
	COLUMN TYPE 1	A520-126

NOTE: DETAIL OCCURS @
B1 OPT. 2



**Michael
Willis
Architects**



MWA JOB #: 200807

REVISION:
- -

TREME/LAFITTE AND TULANE GRAVIER HOME
BUILDING PLAN
NEW ORLEANS, LOUISIANA

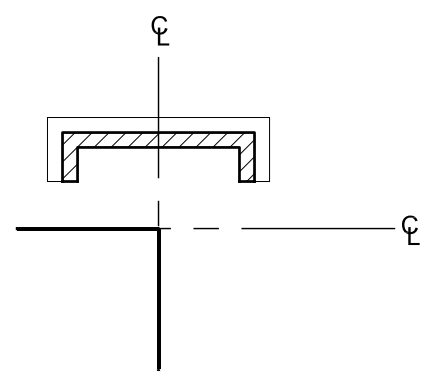
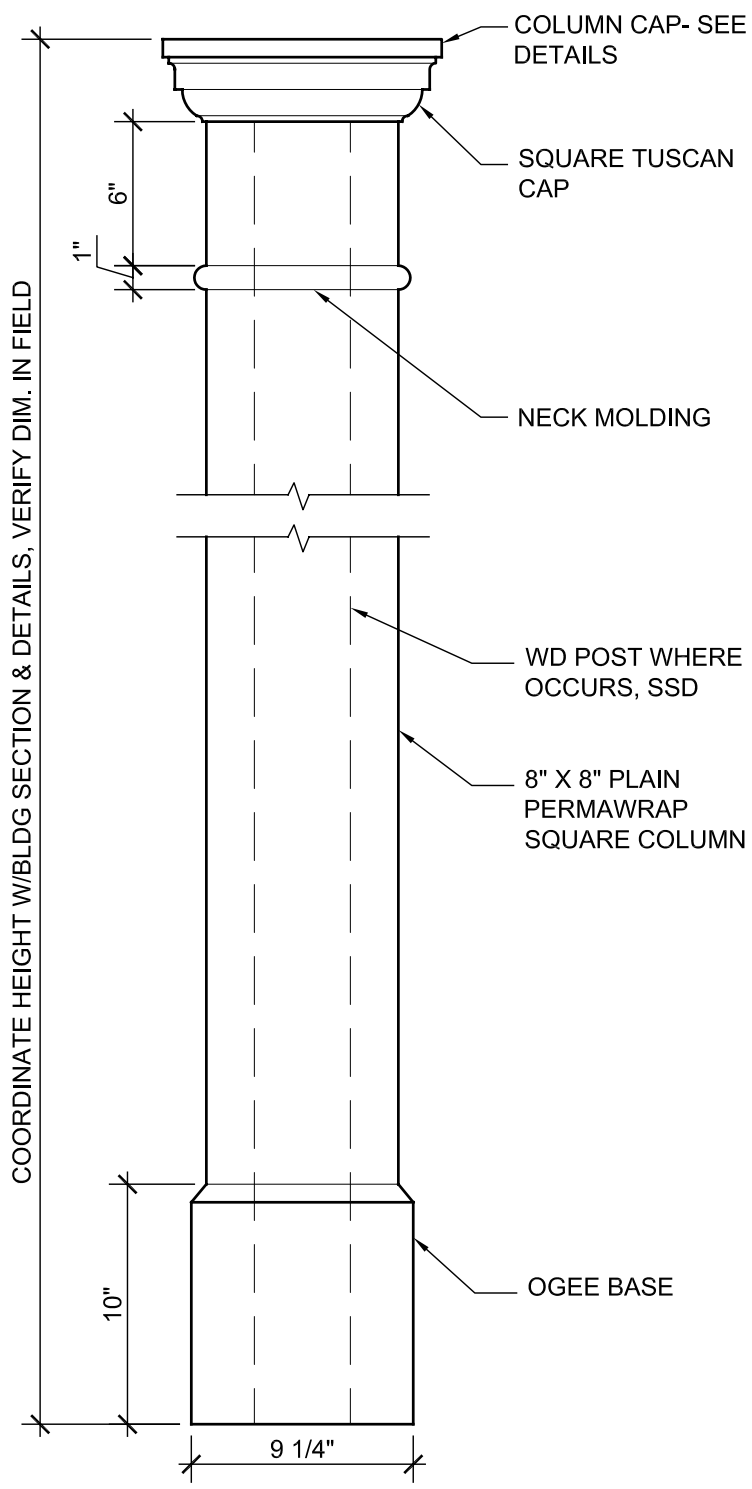
DATE: 10/14/08

SCALE: 1 1/2" = 1'-0"

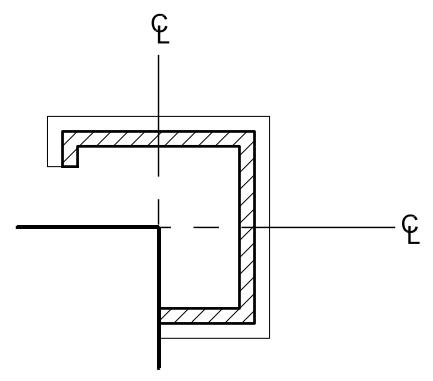
COLUMN TYPE 2

A520-127

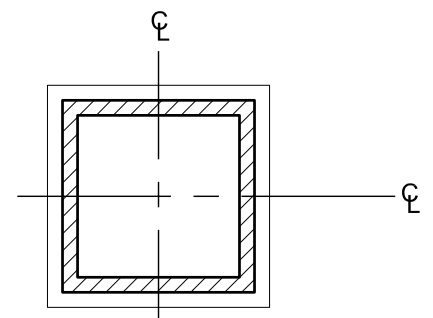
NOTE: DETAIL OCCURS @ C1' & C2'



PLAN VIEW OF COLUMN ENGAGING BLDG CORNER, SEE 108/A520



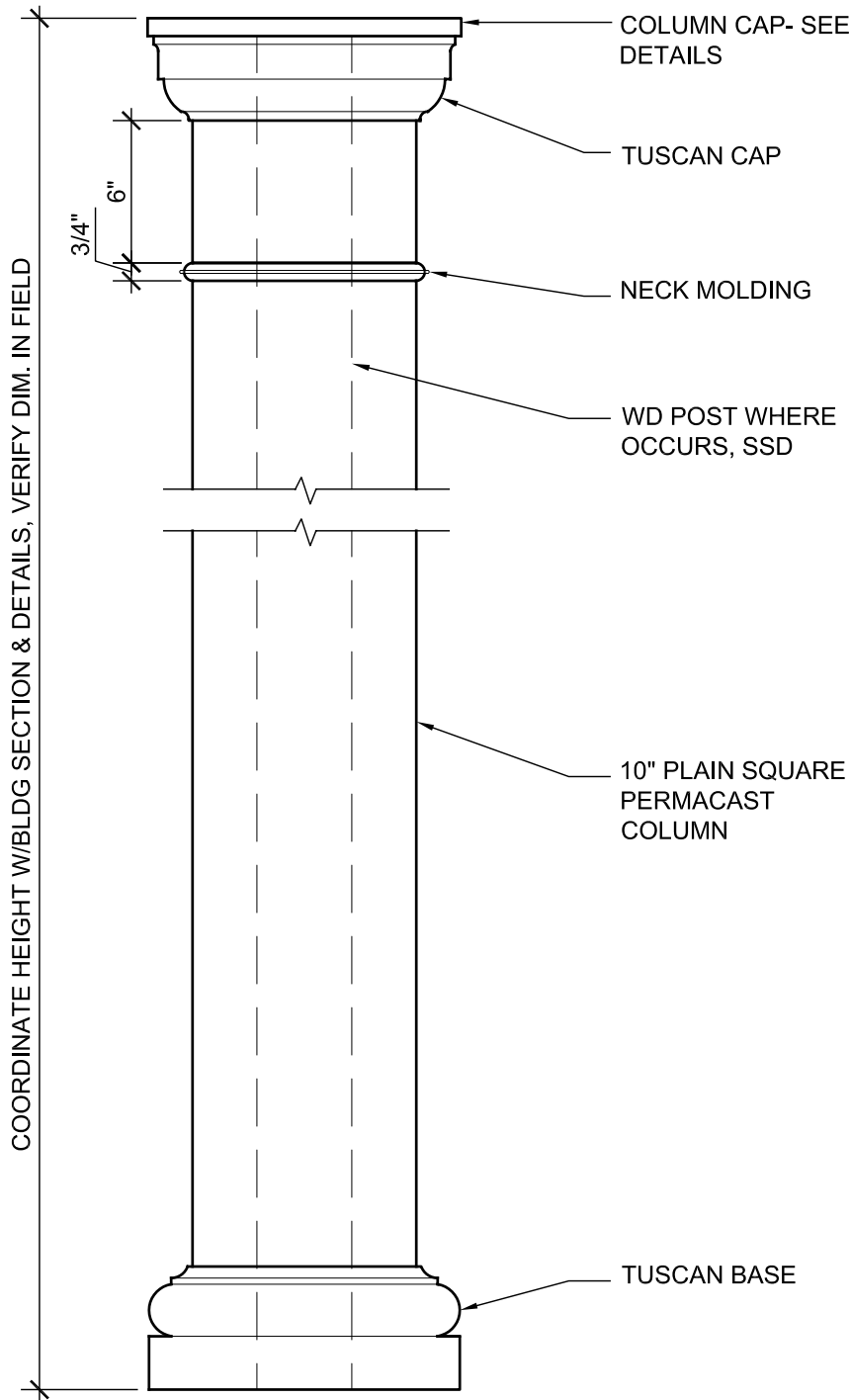
PLAN VIEW OF COLUMN ENGAGING BLDG CORNER, SEE 107/A520

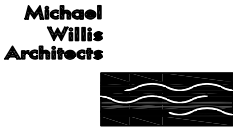


PLAN VIEW OF FREE STANDING COLUMN

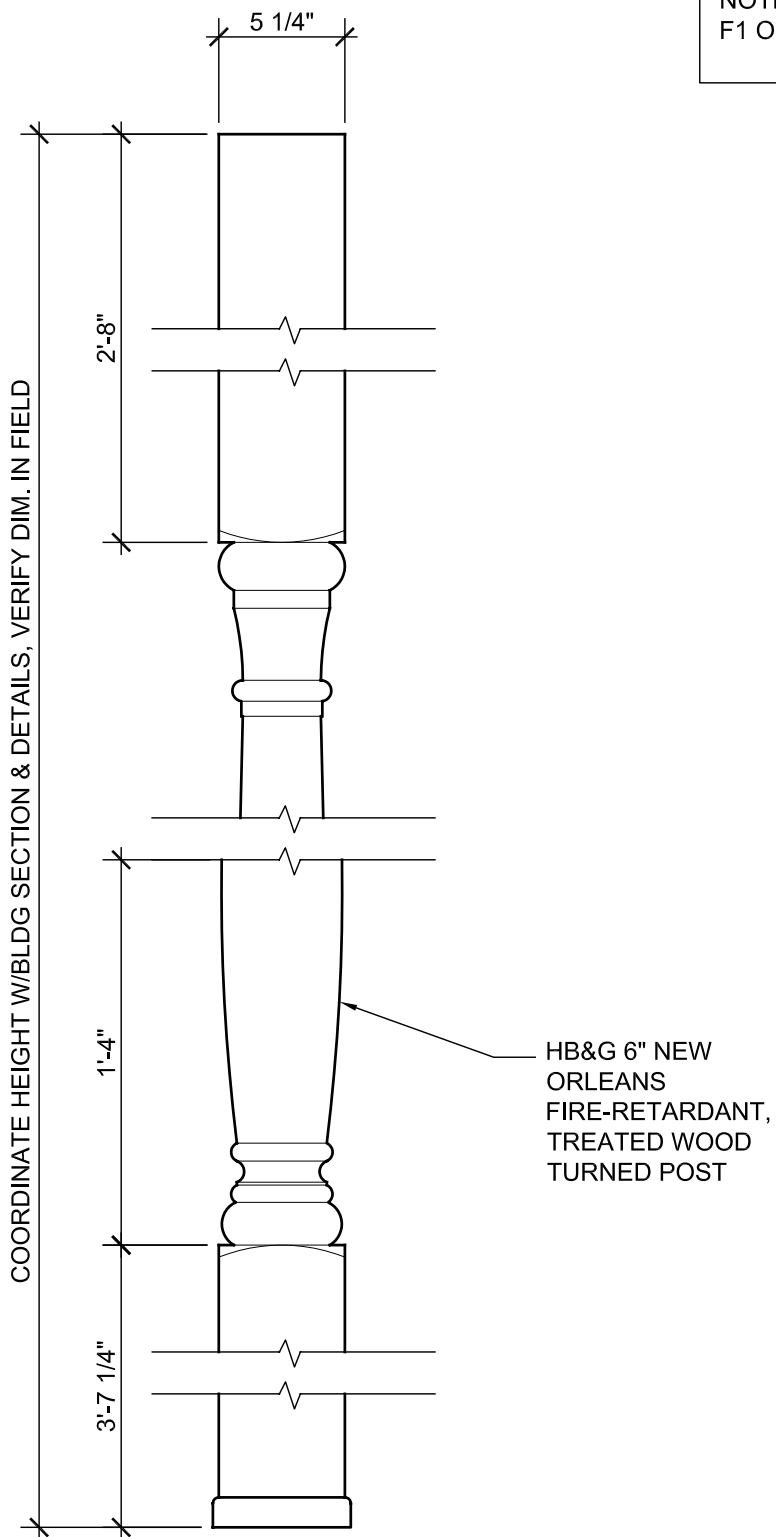
	MWA JOB #: 200807	TREME/LAFITTE AND TULANE GRAVIER HOME	DATE: 10/14/08
	REVISION: -	BUILDING PLAN NEW ORLEANS, LOUISIANA	SCALE: 1 1/2" = 1'-0"
		COLUMN TYPE 3	A520-128

NOTE: DETAIL OCCURS @
E1 OPT. 2




	MWA JOB #: 200807	TREME/LAFITTE AND TULANE GRAVIER HOME	DATE: 10/14/08
	REVISION: -	BUILDING PLAN NEW ORLEANS, LOUISIANA	SCALE: 1 1/2" = 1'-0"
COLUMN TYPE 4			A520-129

NOTE: DETAIL OCCURS @
F1 OPT. 2

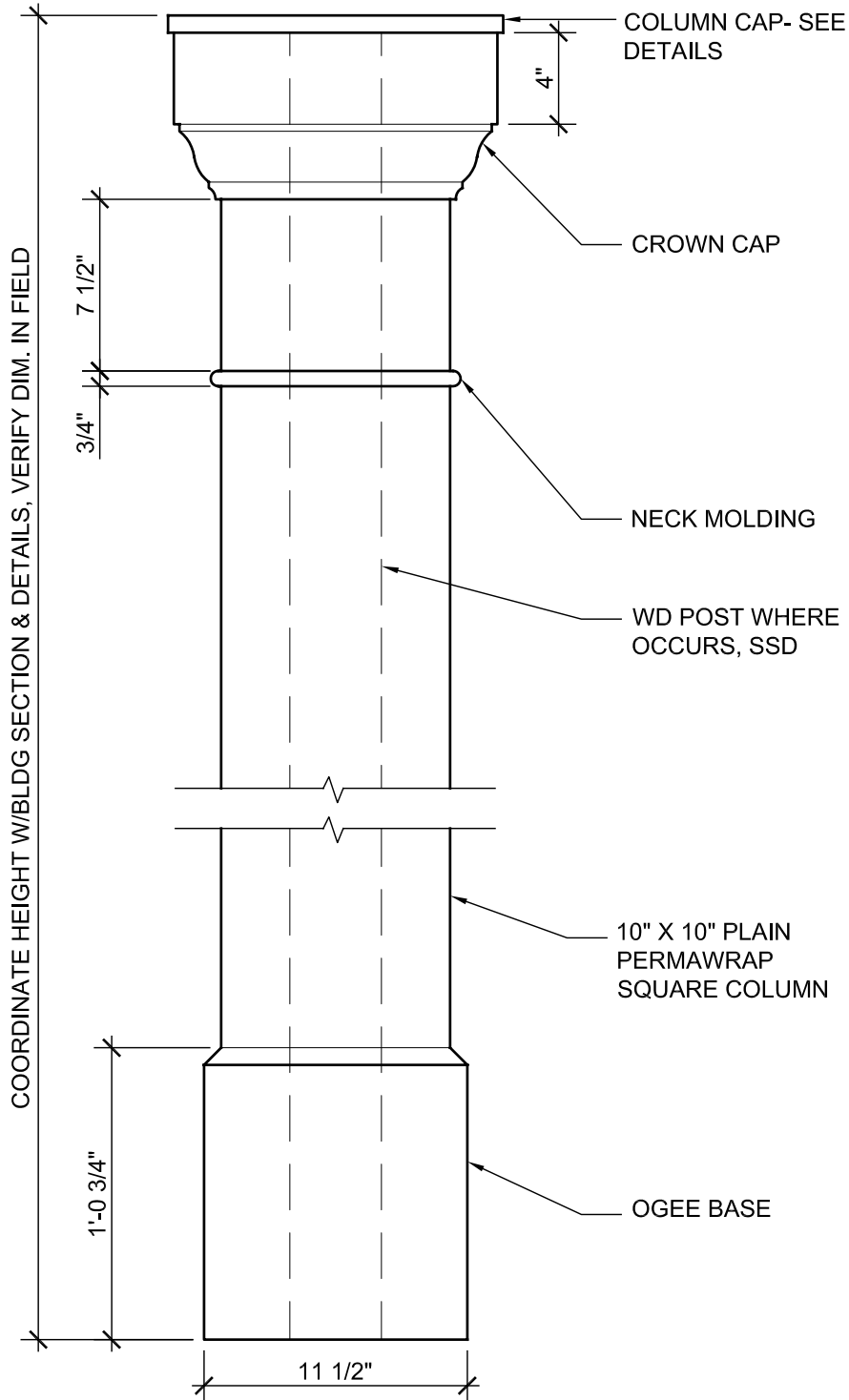


COORDINATE HEIGHT W/BLDG SECTION & DETAILS, VERIFY DIM. IN FIELD

HB&G 6" NEW
ORLEANS
FIRE-RETARDANT,
TREATED WOOD
TURNED POST

	MWA JOB #: 200807	TREME/LAFITTE AND TULANE GRAVIER HOME	DATE: 10/14/08
	REVISION: - -	BUILDING PLAN NEW ORLEANS, LOUISIANA	SCALE: 1 1/2" = 1'-0"
COLUMN TYPE 5			A520-130

NOTE: DETAIL OCCURS @
G2 GREEK



MWA JOB #: 200807
REVISION: -

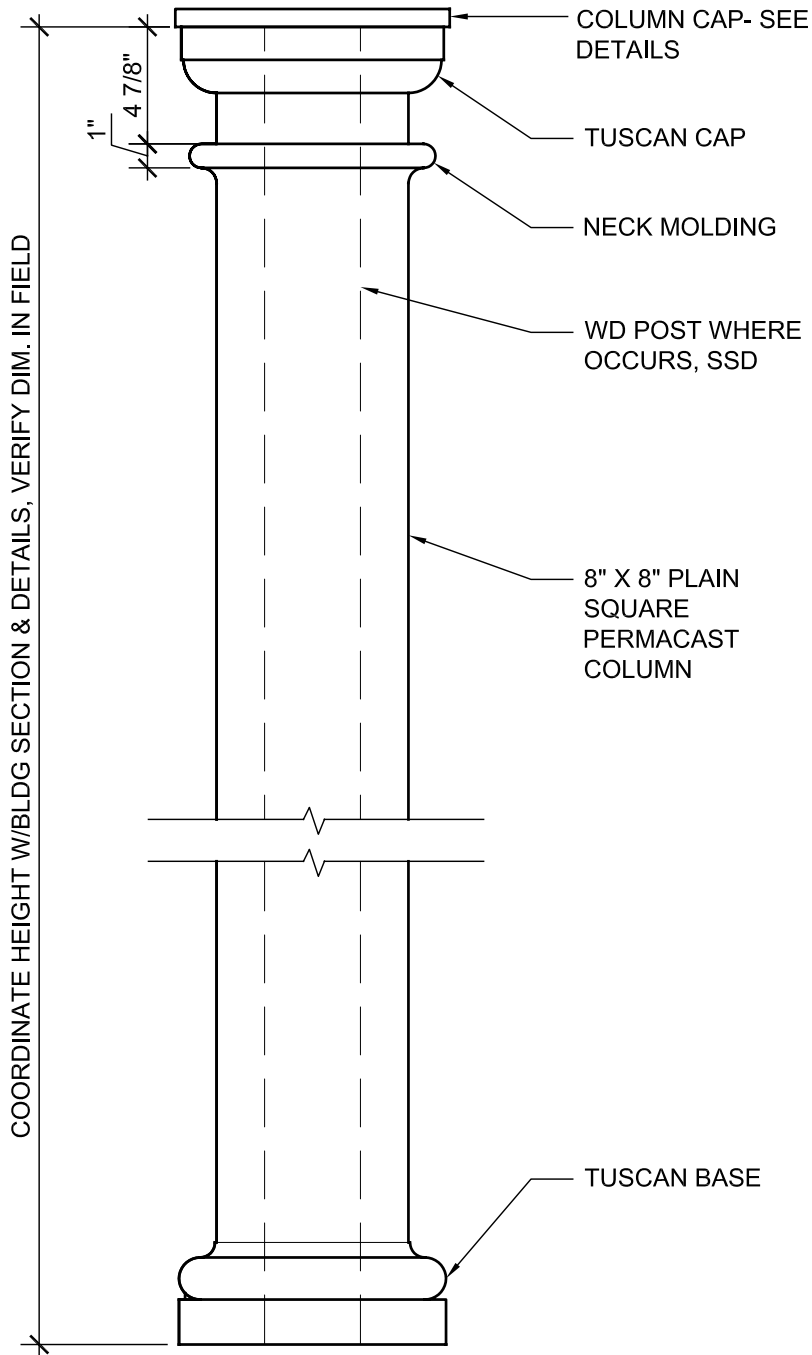
TREME/LAFITTE AND TULANE GRAVIER HOME
BUILDING PLAN
NEW ORLEANS, LOUISIANA

DATE: 10/14/08
SCALE: 1 1/2" = 1'-0"

COLUMN TYPE 6

A520-131

NOTE: DETAIL OCCURS @
G2 GREEK



**Michael
Willis
Architects**



MWA JOB #: 200807

REVISION:
- -

TREME/LAFITTE AND TULANE GRAVIER HOME
BUILDING PLAN
NEW ORLEANS, LOUISIANA

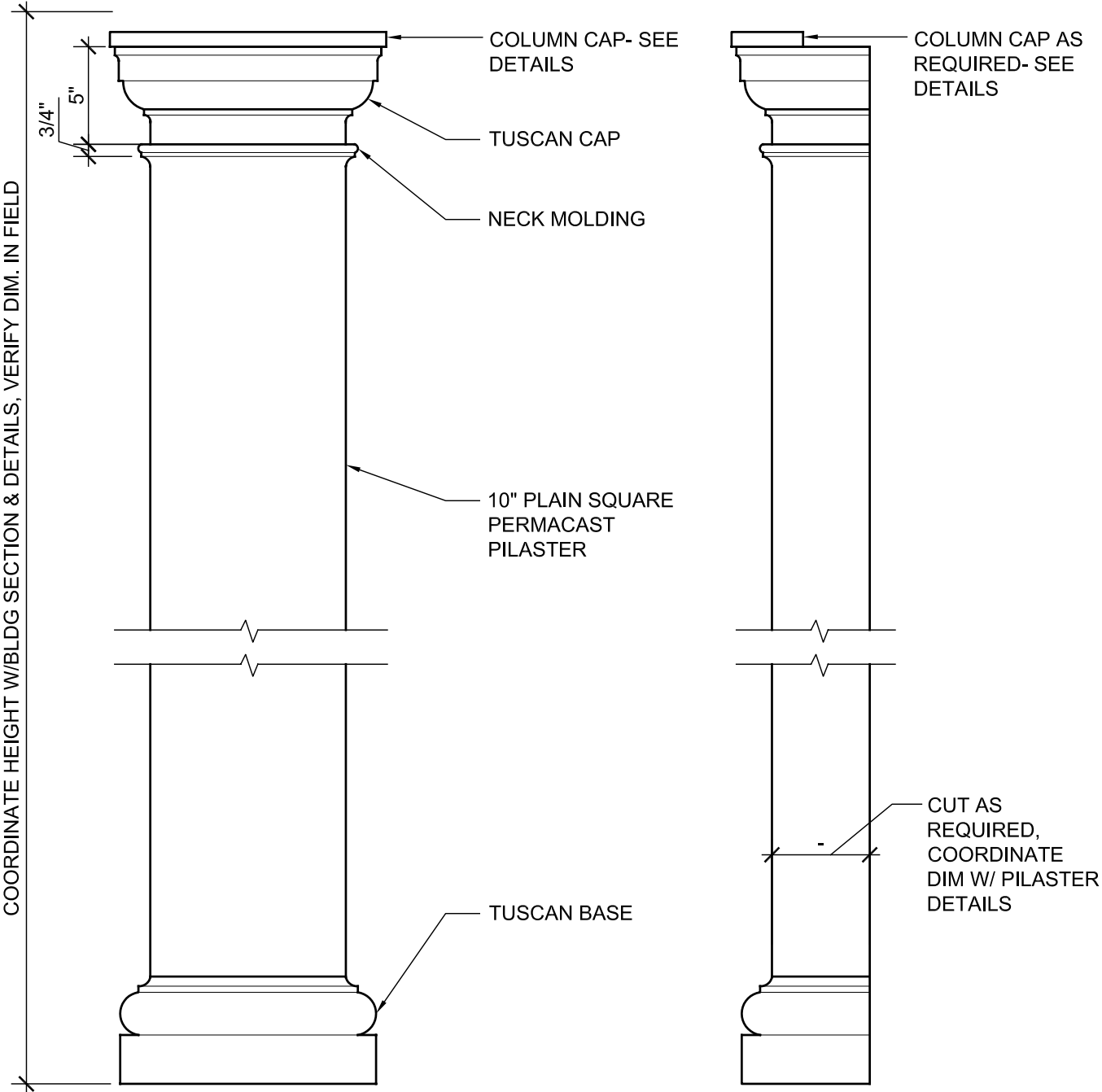
DATE: 10/14/08

SCALE: 1 1/2" = 1'-0"

COLUMN TYPE 7


A520-132

NOTE: DETAIL OCCURS @ J6'

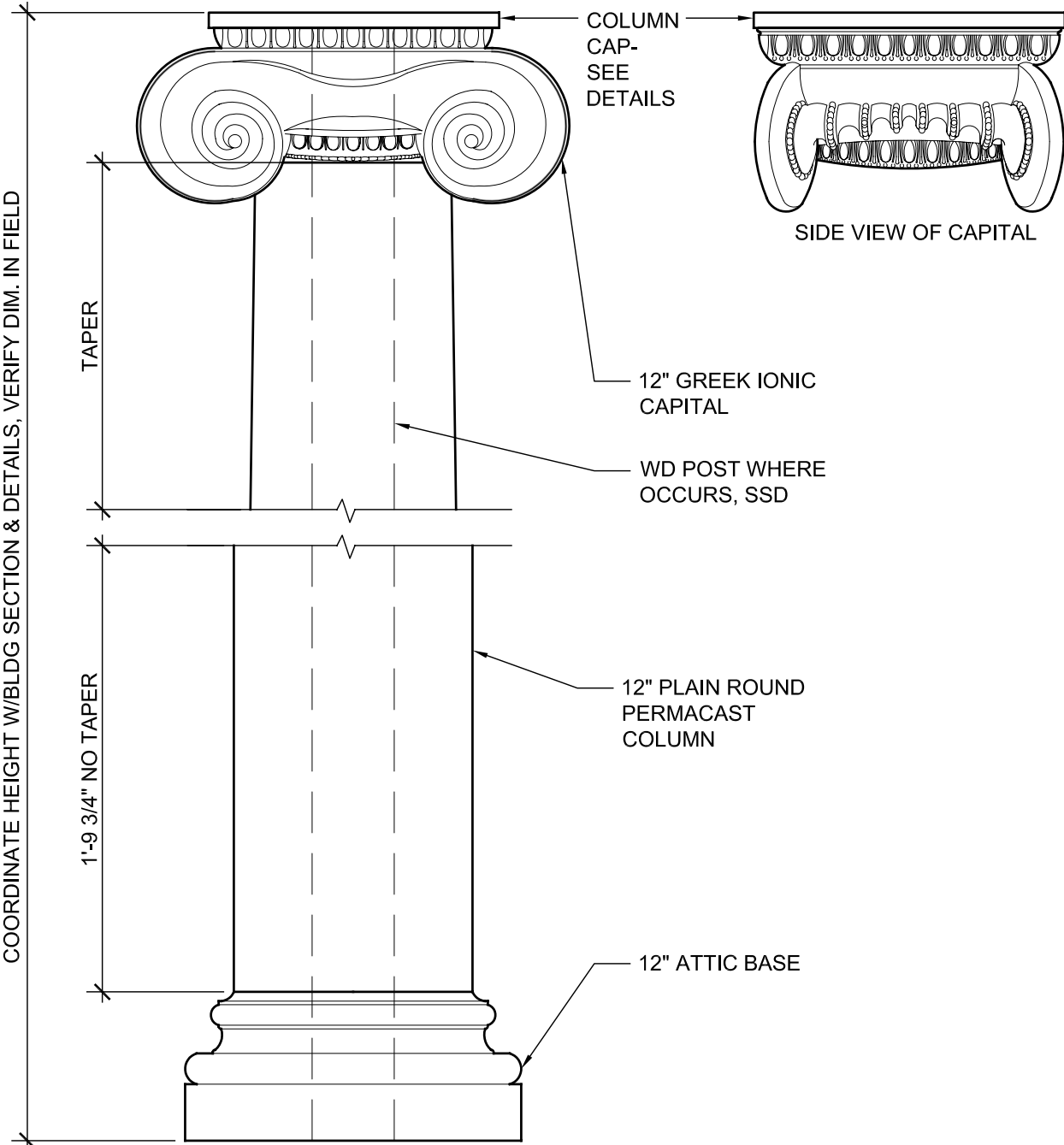


PILASTER FRONT

PILASTER SIDE

	MWA JOB #: 200807	TREME/LAFITTE AND TULANE GRAVIER HOME	DATE: 10/14/08
	REVISION: -	BUILDING PLAN NEW ORLEANS, LOUISIANA	SCALE: 1 1/2" = 1'-0"
COLUMN TYPE 8			A520-133

NOTE: DETAIL OCCURS @ K6



MWA JOB #: 200807

REVISION:
- -

TREME/LAFITTE AND TULANE GRAVIER HOME
BUILDING PLAN
NEW ORLEANS, LOUISIANA

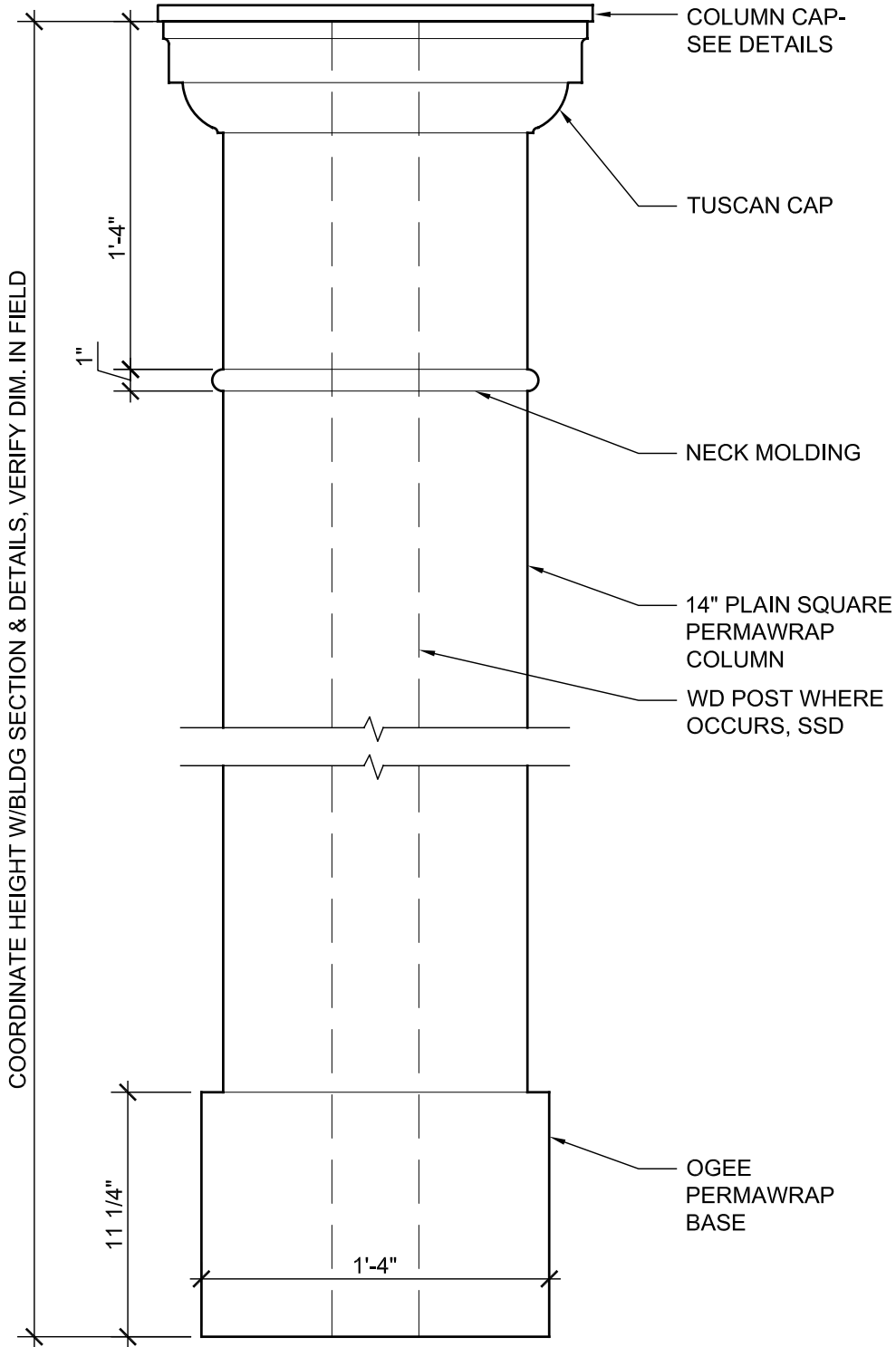
DATE: 10/14/08

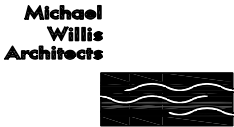
SCALE: 1 1/2" = 1'-0"

COLUMN TYPE 9

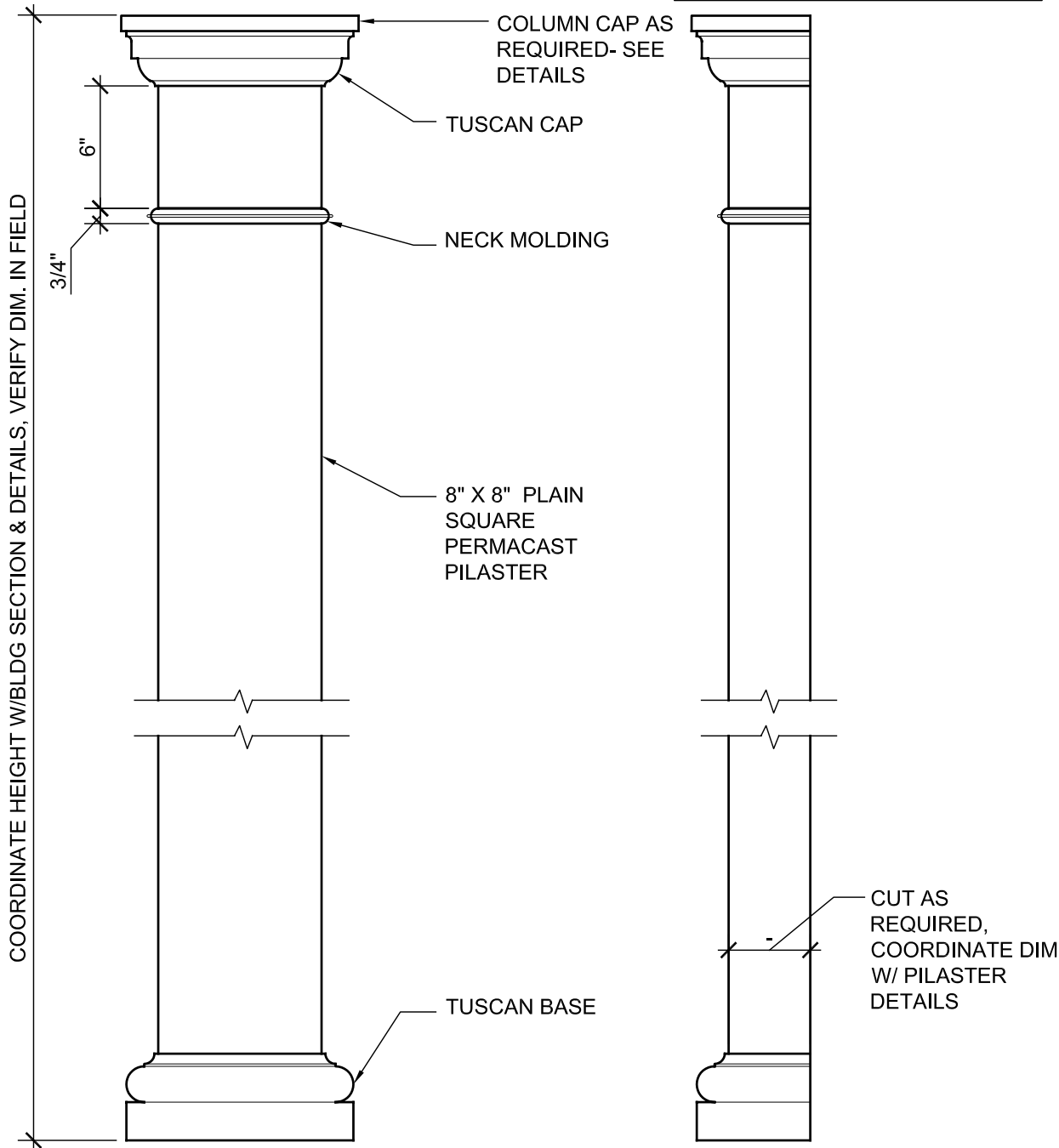
A520-134

NOTE: DETAIL OCCURS @ K6



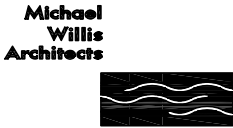
	MWA JOB #: 200807	TREME/LAFITTE AND TULANE GRAVIER HOME	DATE: 10/14/08
	REVISION: -	BUILDING PLAN NEW ORLEANS, LOUISIANA	SCALE: 1 1/2" = 1'-0"
COLUMN TYPE 10			A520-135

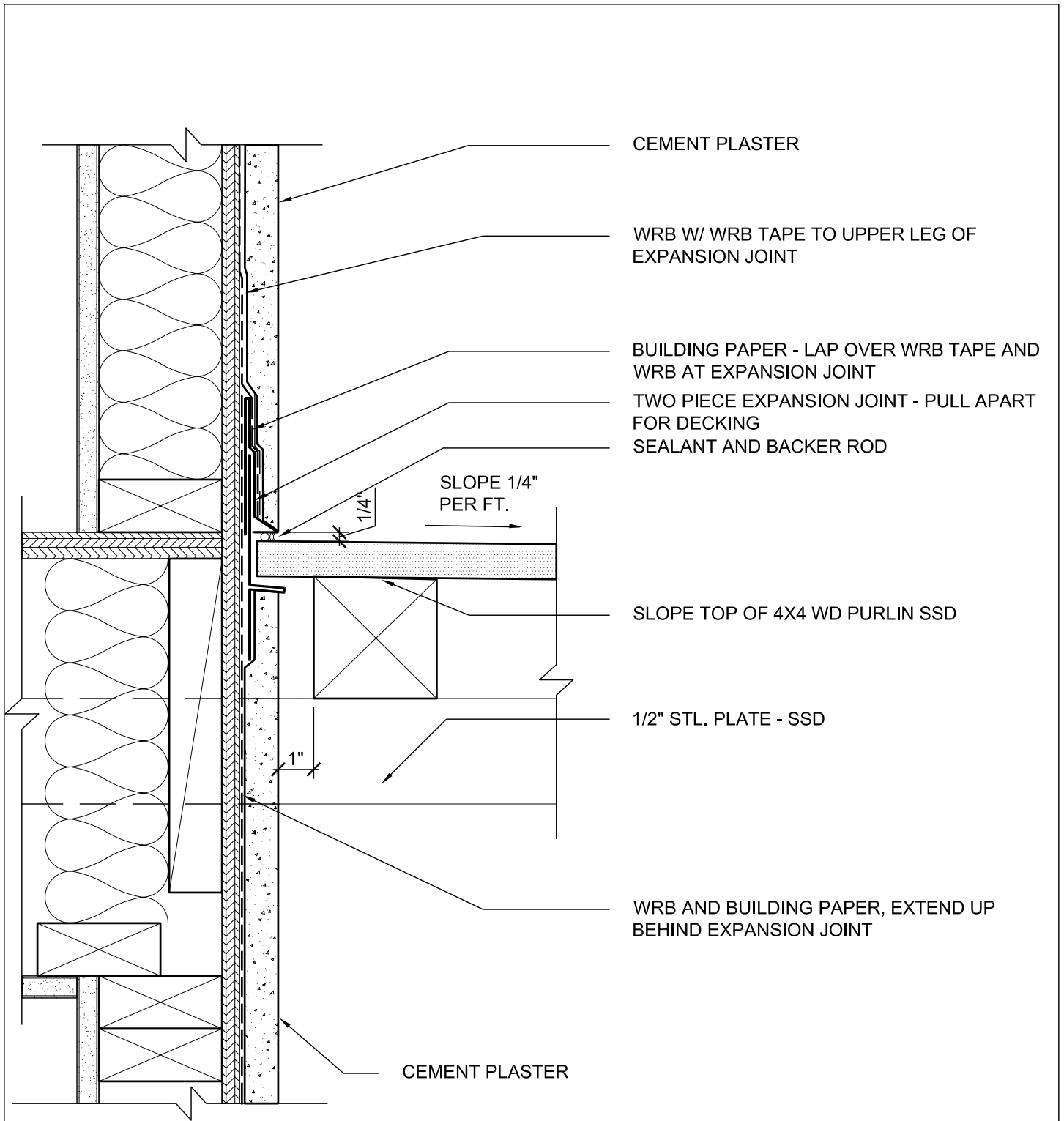
NOTE: DETAIL OCCURS @ K6



PILASTER FRONT

PILASTER SIDE

	MWA JOB #: 200807	TREME/LAFITTE AND TULANE GRAVIER HOME	DATE: 10/14/08
	REVISION: -	BUILDING PLAN NEW ORLEANS, LOUISIANA	SCALE: 1 1/2" = 1'-0"
COLUMN TYPE 11			A520-136



CEMENT PLASTER

WRB W/ WRB TAPE TO UPPER LEG OF EXPANSION JOINT

BUILDING PAPER - LAP OVER WRB TAPE AND WRB AT EXPANSION JOINT

TWO PIECE EXPANSION JOINT - PULL APART FOR DECKING
SEALANT AND BACKER ROD


SLOPE 1/4" PER FT.

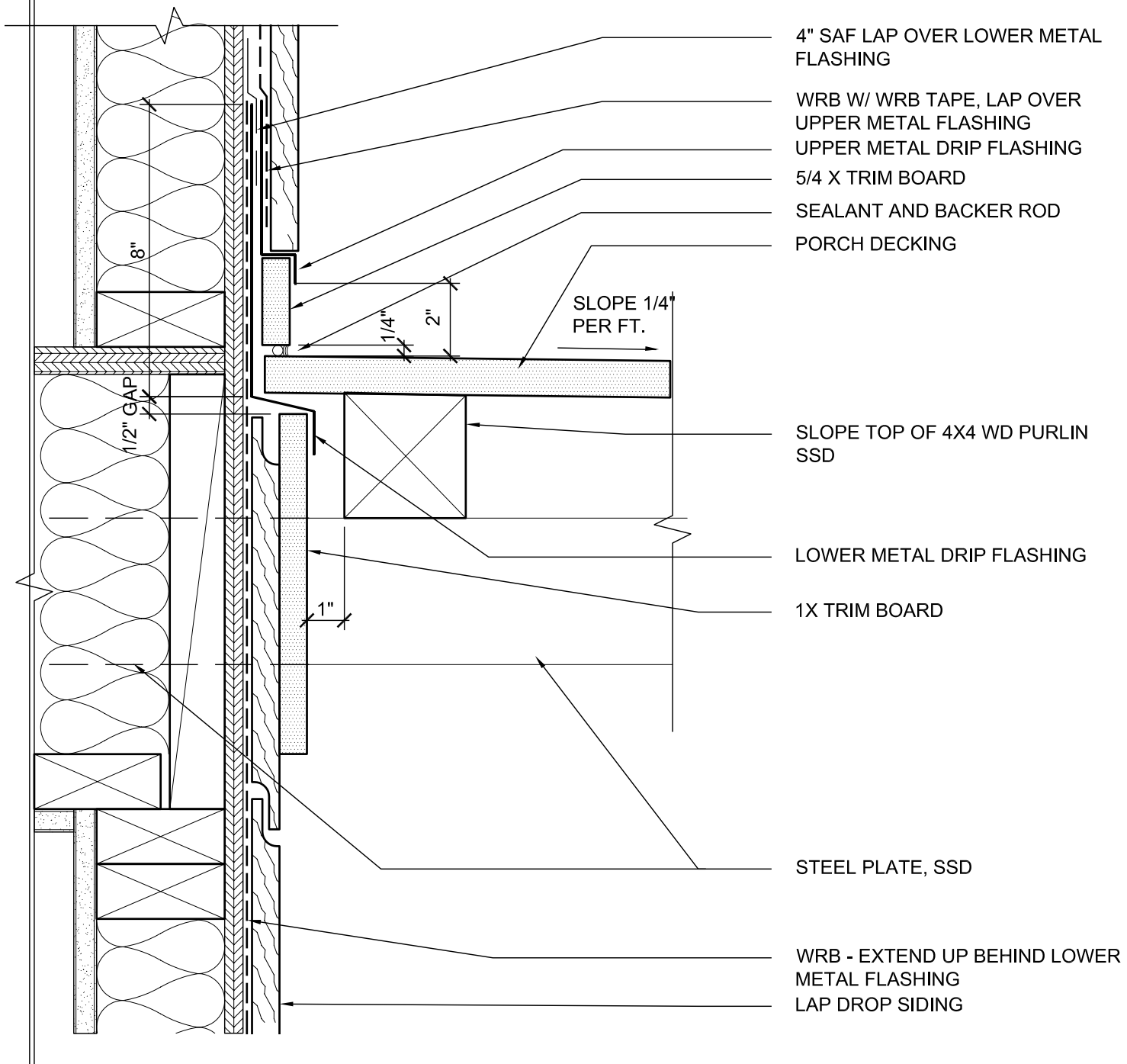
SLOPE TOP OF 4X4 WD PURLIN SSD

1/2" STL. PLATE - SSD

WRB AND BUILDING PAPER, EXTEND UP BEHIND EXPANSION JOINT

CEMENT PLASTER

	MWA JOB #: 200807	TREME/LAFITTE AND TULANE GRAVIER HOME	DATE: 10/14/08
	REVISION: - -	BUILDING PLAN NEW ORLEANS, LOUISIANA	SCALE: 3" = 1'-0"
BALCONY AT 1-HR WALL			A520-145



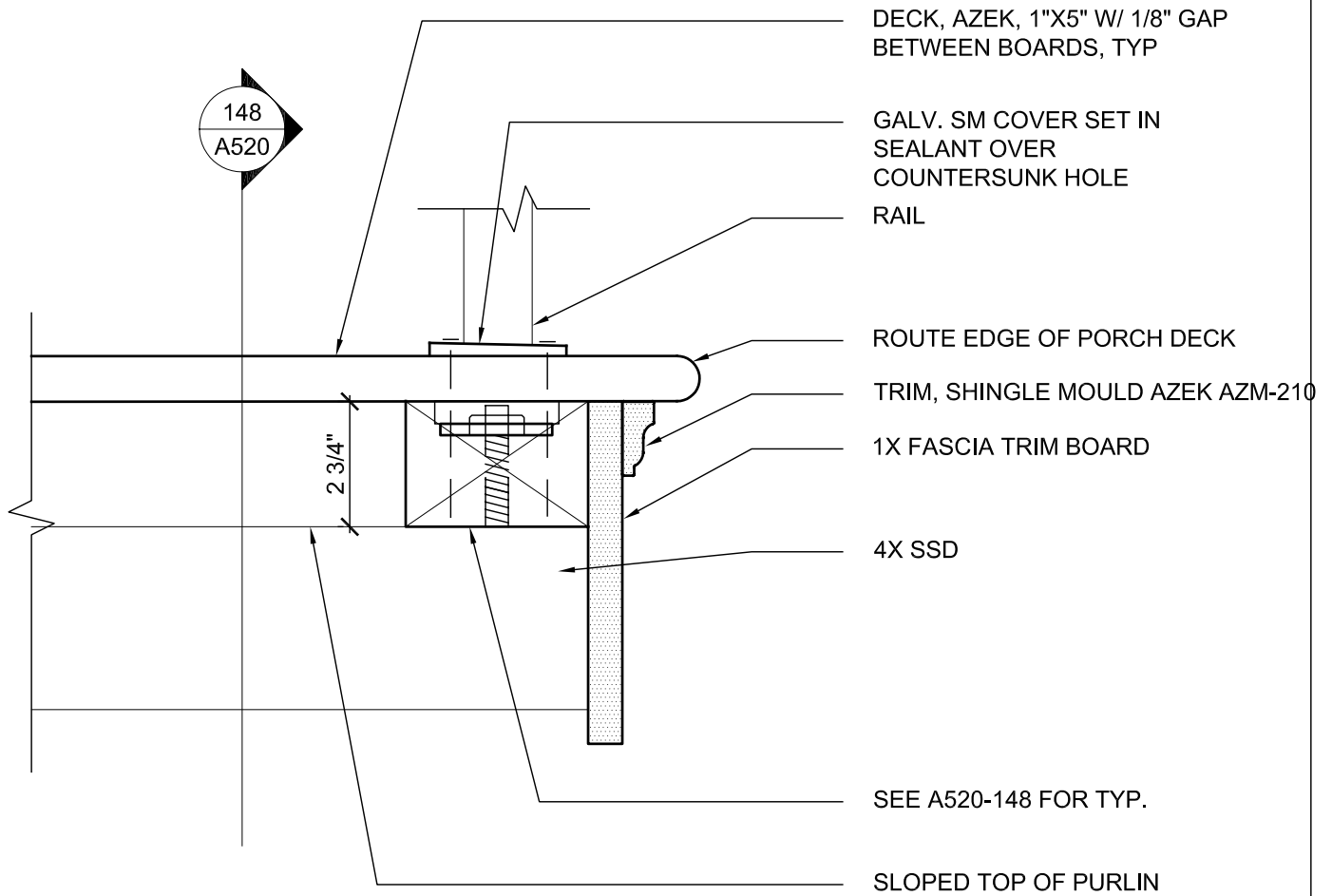
MWA JOB #: 200807
 REVISION: -

TREME/LAFITTE AND TULANE GRAVIER HOME
 BUILDING PLAN
 NEW ORLEANS, LOUISIANA

DATE: 10/14/08
 SCALE: 3" = 1'-0"

BALCONY DETAIL

A520-146



**Michael
Willis
Architects**



MWA JOB #: 200807

REVISION:
- -

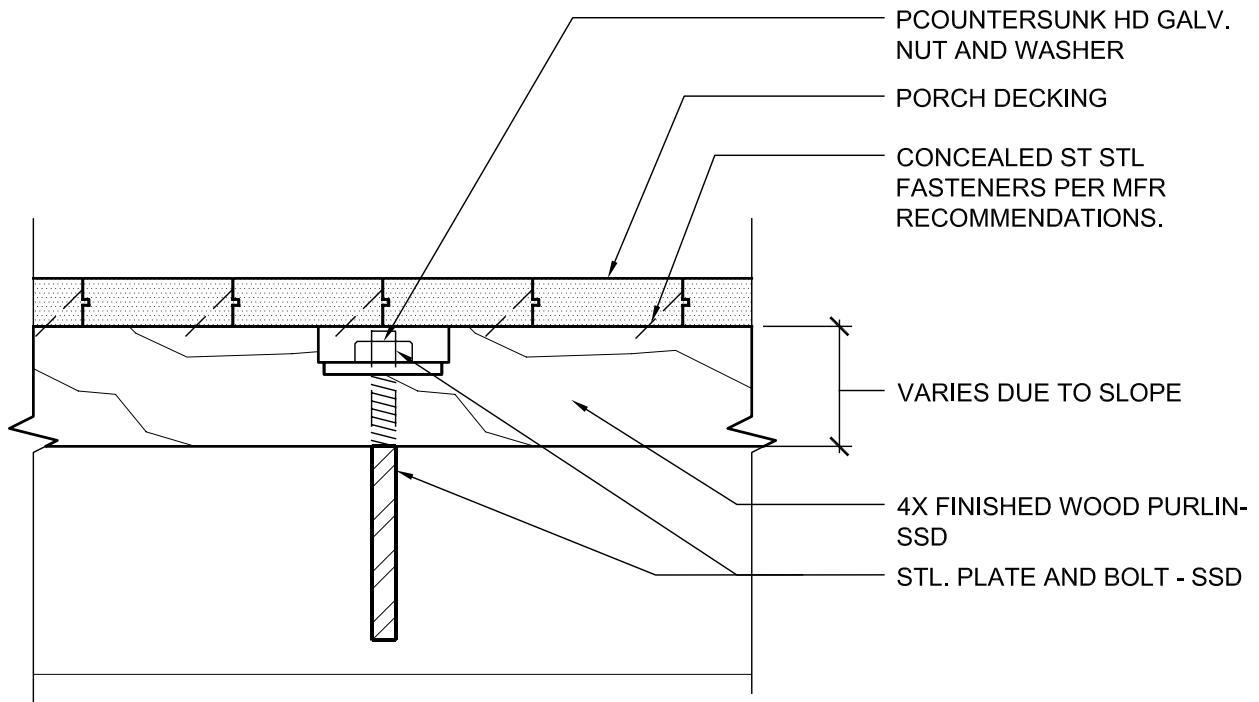
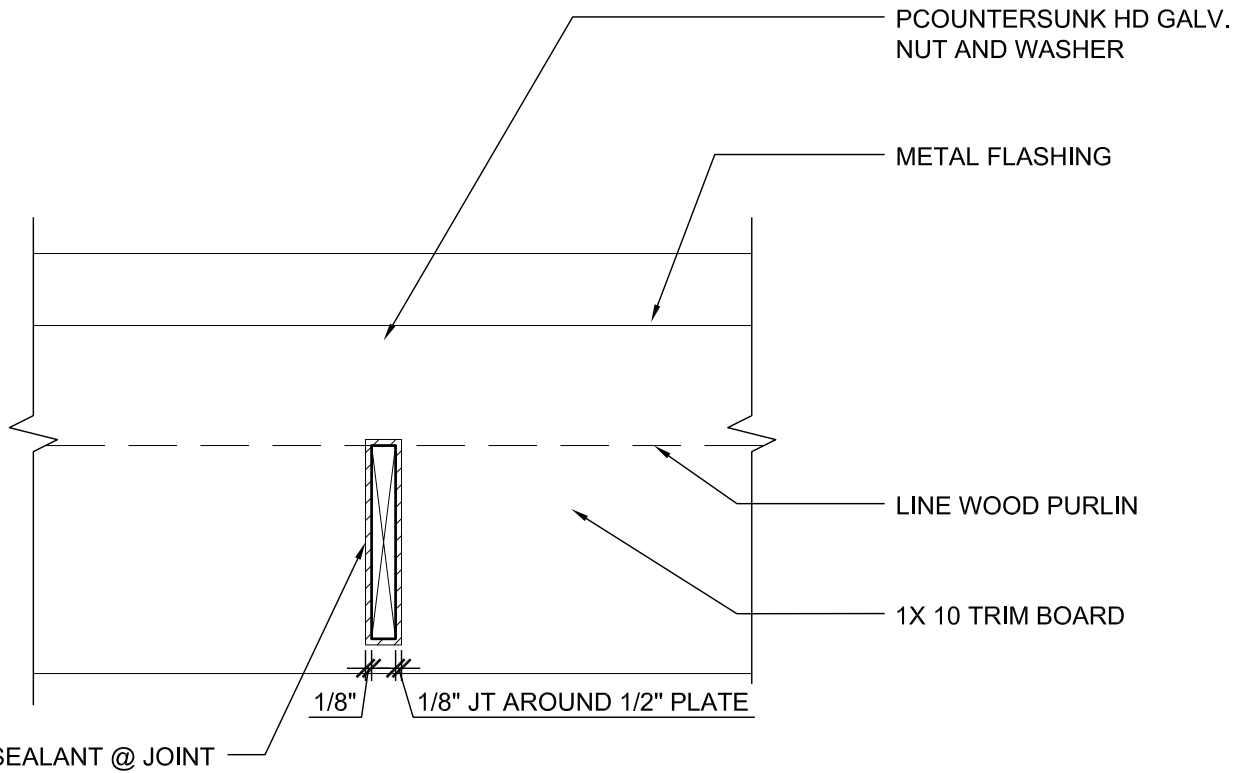
TREME/LAFITTE AND TULANE GRAVIER HOME
BUILDING PLAN
NEW ORLEANS, LOUISIANA

DATE: 10/14/08

SCALE: 3"=1'-0"

BALCONY SECTION

A520-147



MWA JOB #: 200807

REVISION: -

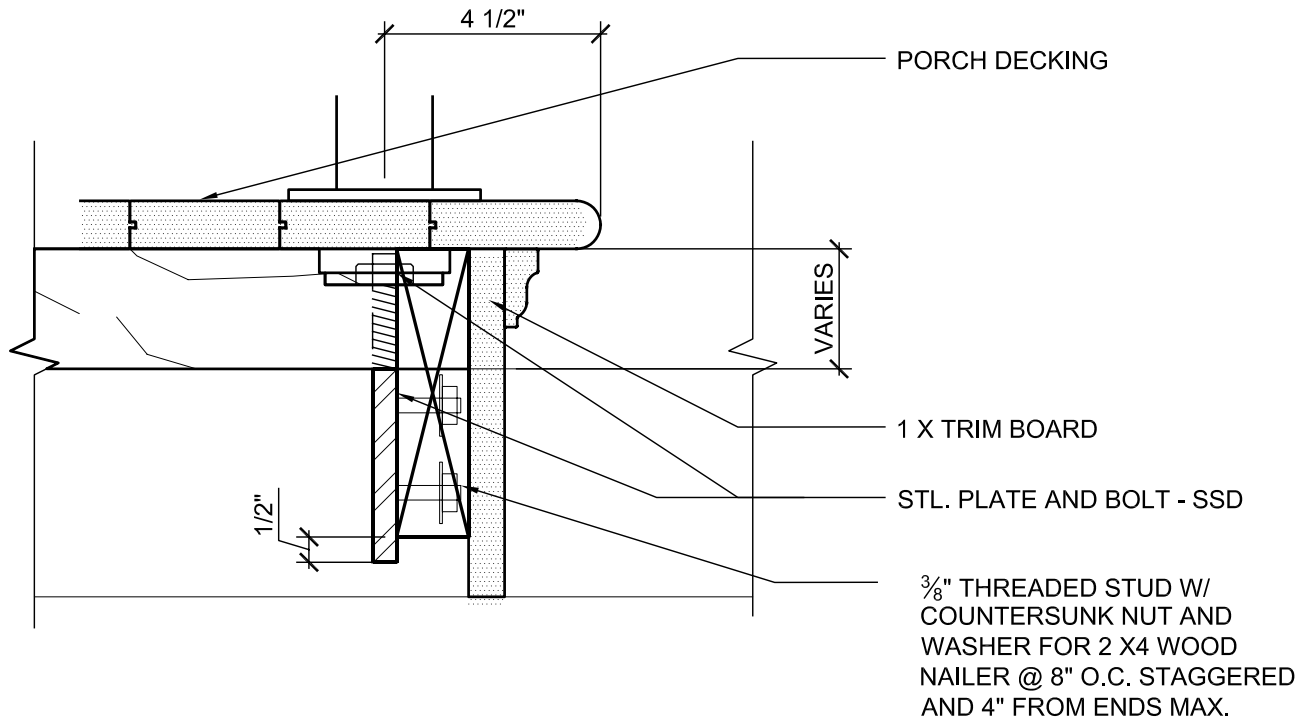
TREME/LAFITTE AND TULANE GRAVIER HOME
 BUILDING PLAN
 NEW ORLEANS, LOUISIANA

SECTION @ BALCONY PLATE BEAM

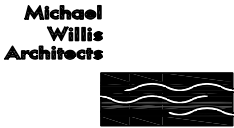
DATE: 10/14/08

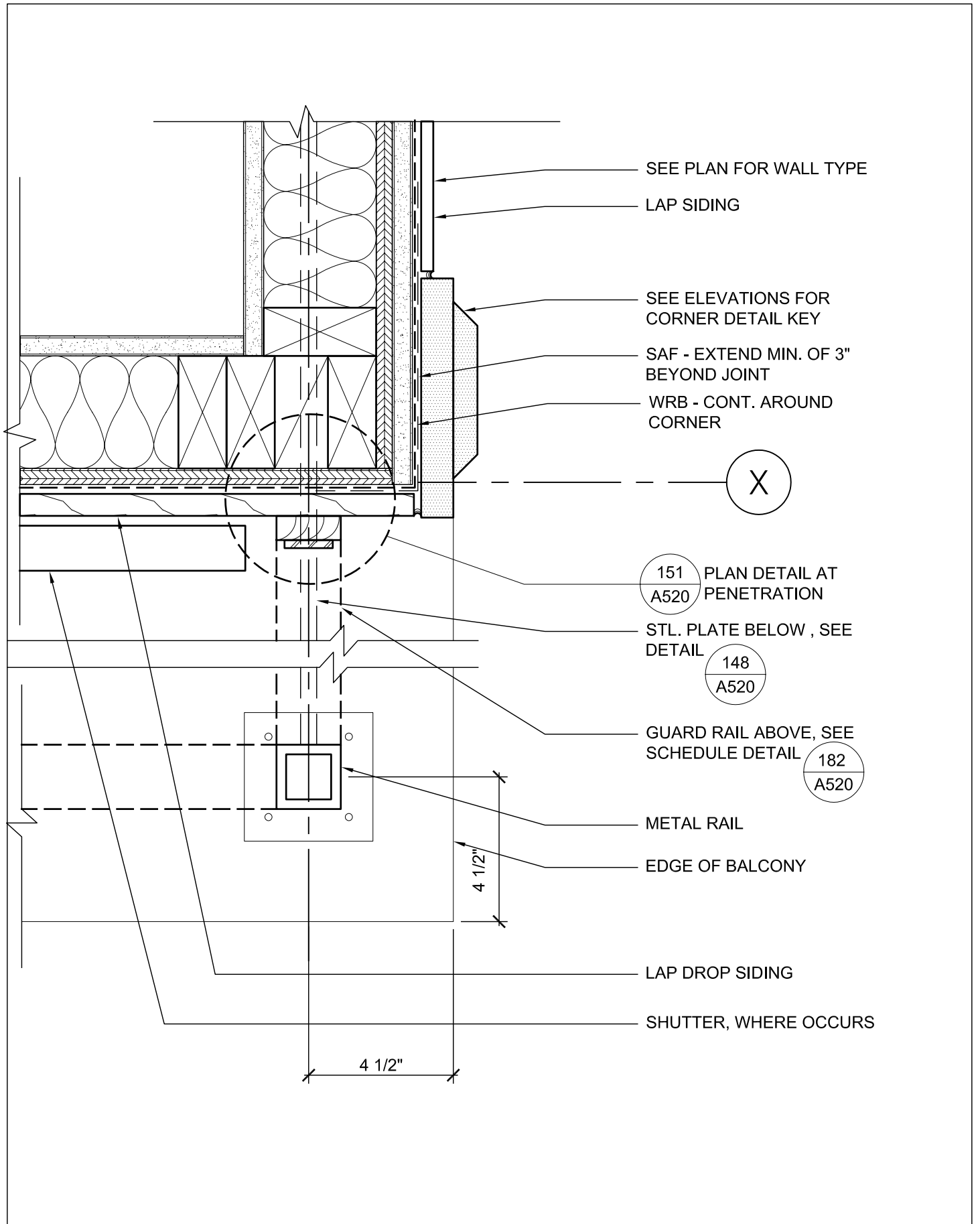
SCALE: 3" = 1'-0"

A520-148



SEE DETAILS 147 AND
148 FOR TYPICAL
INFORMATION

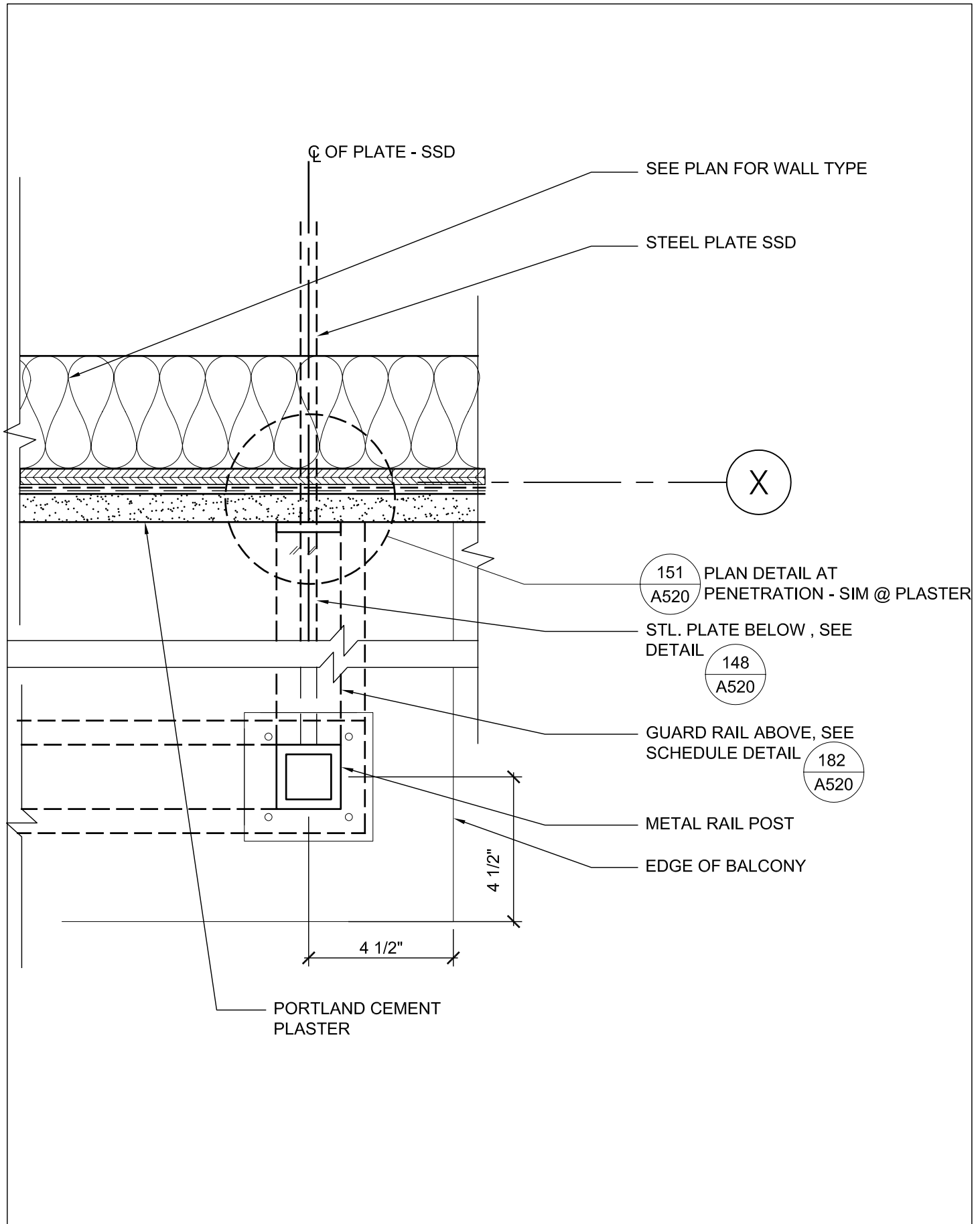
	MWA JOB #: 200807	TREME/LAFITTE AND TULANE GRAVIER HOME	DATE: 10/14/08
	REVISION: - -	BUILDING PLAN NEW ORLEANS, LOUISIANA	SCALE: 3"=1'-0"
		BALCONY DET. @ SIDE OF BALCONY	A520 148A



MWA JOB #: 200807
 REVISION: -

TREME/LAFITTE AND TULANE GRAVIER HOME
 BUILDING PLAN
 NEW ORLEANS, LOUISIANA
 PLAN @ ST PLATE BEAM @
 BALCONY

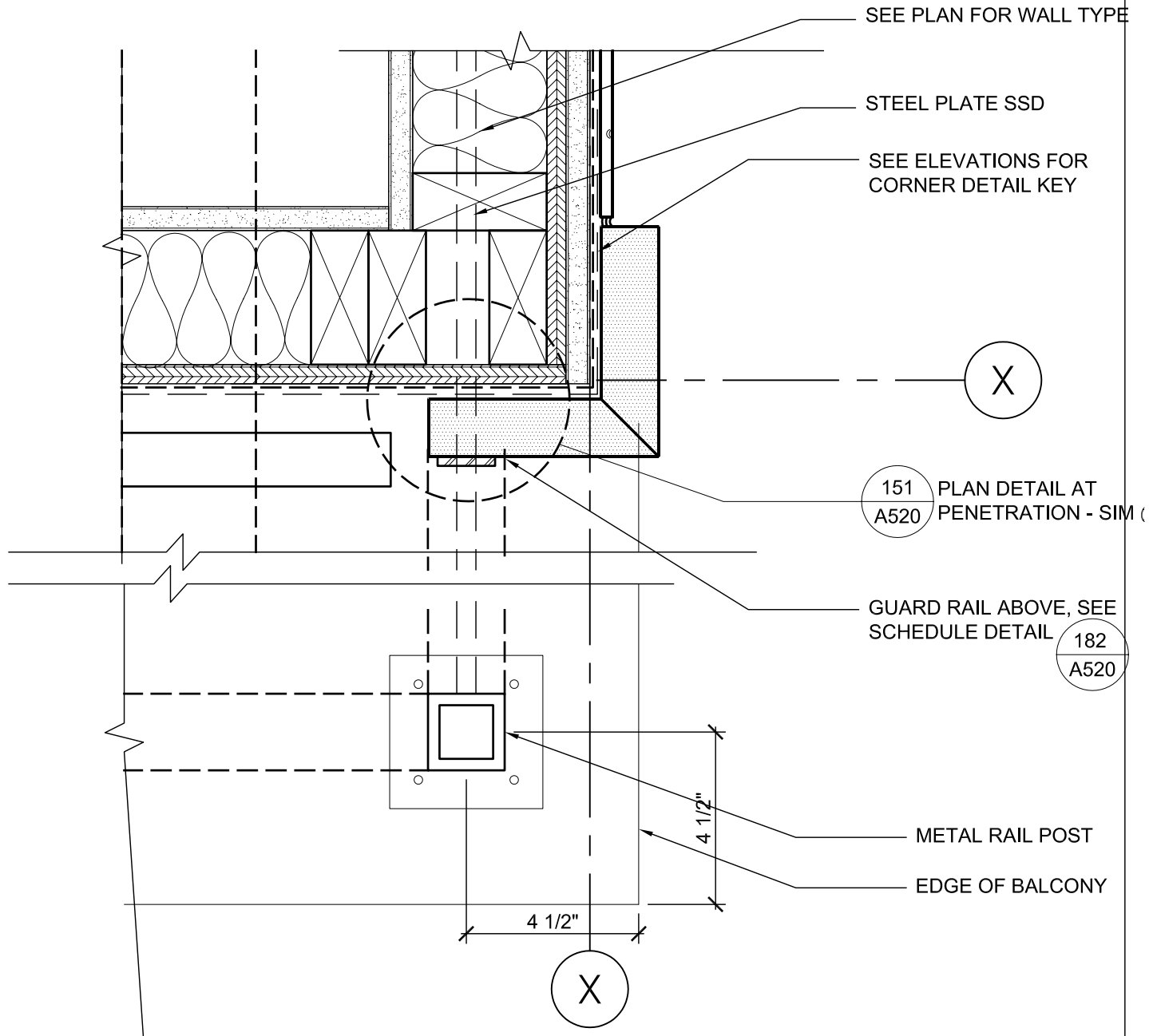
DATE: 10/14/08
 SCALE: 3" = 1'-0"
 A520-149



MWA JOB #: 200807
 REVISION: -

TREME/LAFITTE AND TULANE GRAVIER HOME
 BUILDING PLAN
 NEW ORLEANS, LOUISIANA
 PLAN OF RAILING @ BALCONY ST.
 PLATE BEAM

DATE: 10/14/08
 SCALE: 3"=1'-0"
 A520 149A



MWA JOB #: 200807

REVISION:
- -

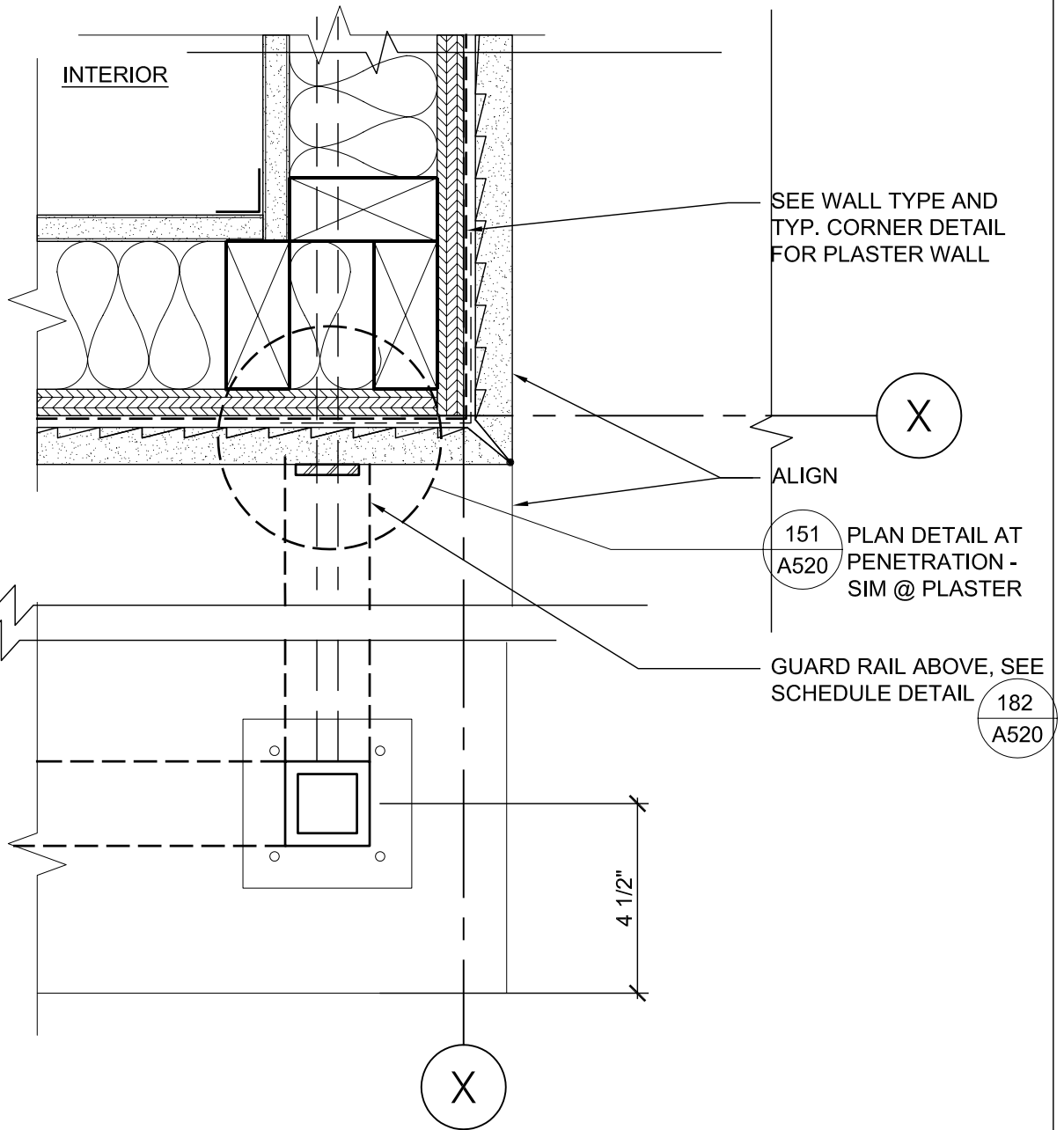
TREME/LAFITTE AND TULANE GRAVIER HOME
BUILDING PLAN
NEW ORLEANS, LOUISIANA

PLAN OF BALCONY @ STEEL
PLATE BEAM

DATE: 10/14/08

SCALE: 3"=1'-0"

A520 149B



MWA JOB #: 200807

REVISION:
- -

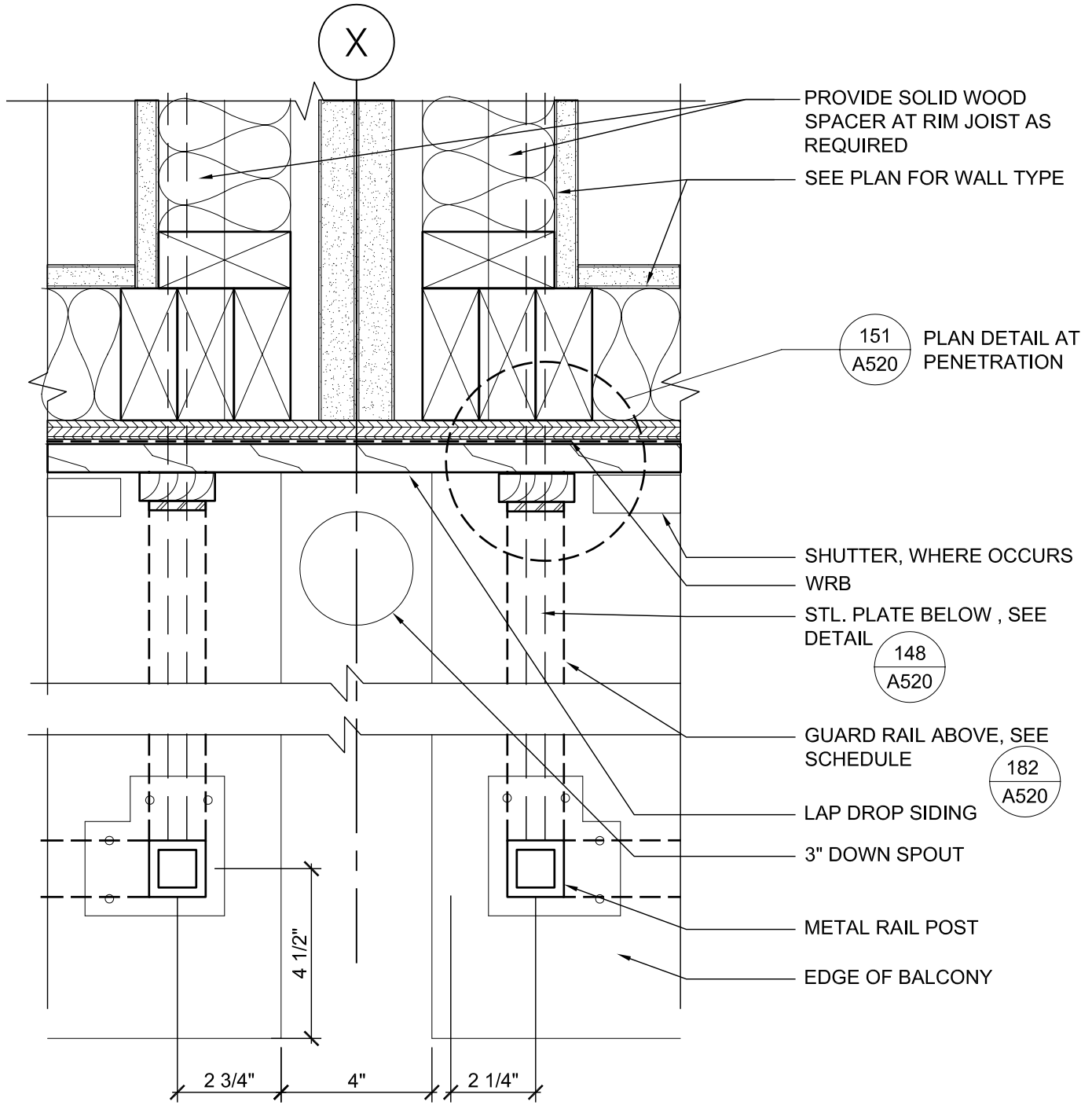
TREME/LAFITTE AND TULANE GRAVIER HOME
BUILDING PLAN
NEW ORLEANS, LOUISIANA

PLAN OF RAILING @ BALCONY
STEEL PLATE BEAM

DATE: 10/14/08


SCALE: 3"=1'-0"

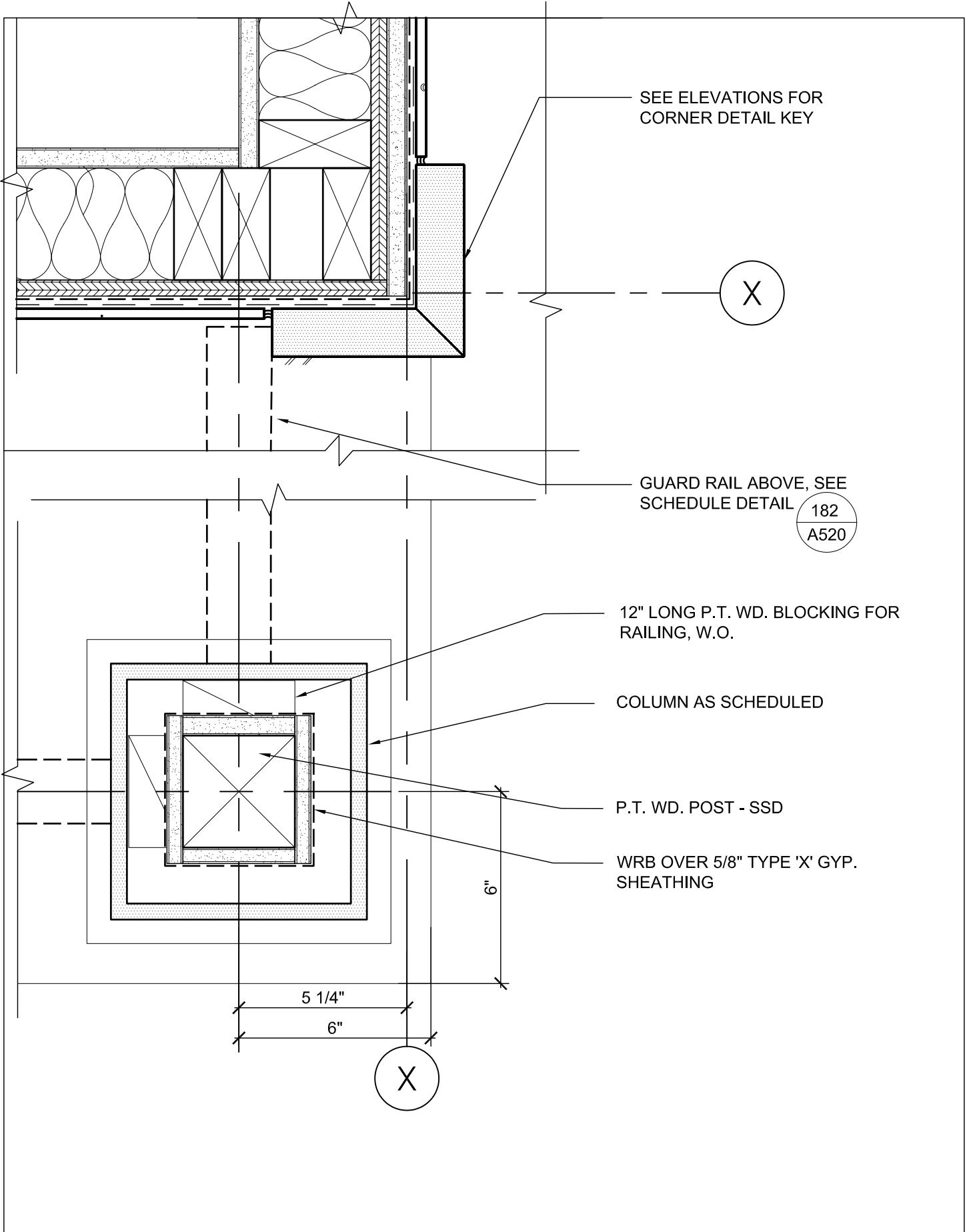
A520 149C



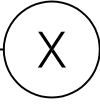
2 3/4" 4" 2 1/4"

4 1/2"

	MWA JOB #: 200807	TREME/LAFITTE AND TULANE GRAVIER HOME	DATE: 10/14/08
	REVISION: -	BUILDING PLAN NEW ORLEANS, LOUISIANA	SCALE: 3" = 1'-0"
PLAN OF RAILING AT BALCONY			A520-150



SEE ELEVATIONS FOR
CORNER DETAIL KEY



GUARD RAIL ABOVE, SEE
SCHEDULE DETAIL



12" LONG P.T. WD. BLOCKING FOR
RAILING, W.O.

COLUMN AS SCHEDULED

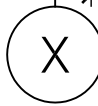
P.T. WD. POST - SSD

WRB OVER 5/8" TYPE 'X' GYP.
SHEATHING

6"

5 1/4"

6"



MWA JOB #: 200807

REVISION:
-

TREME/LAFITTE AND TULANE GRAVIER HOME
BUILDING PLAN
NEW ORLEANS, LOUISIANA

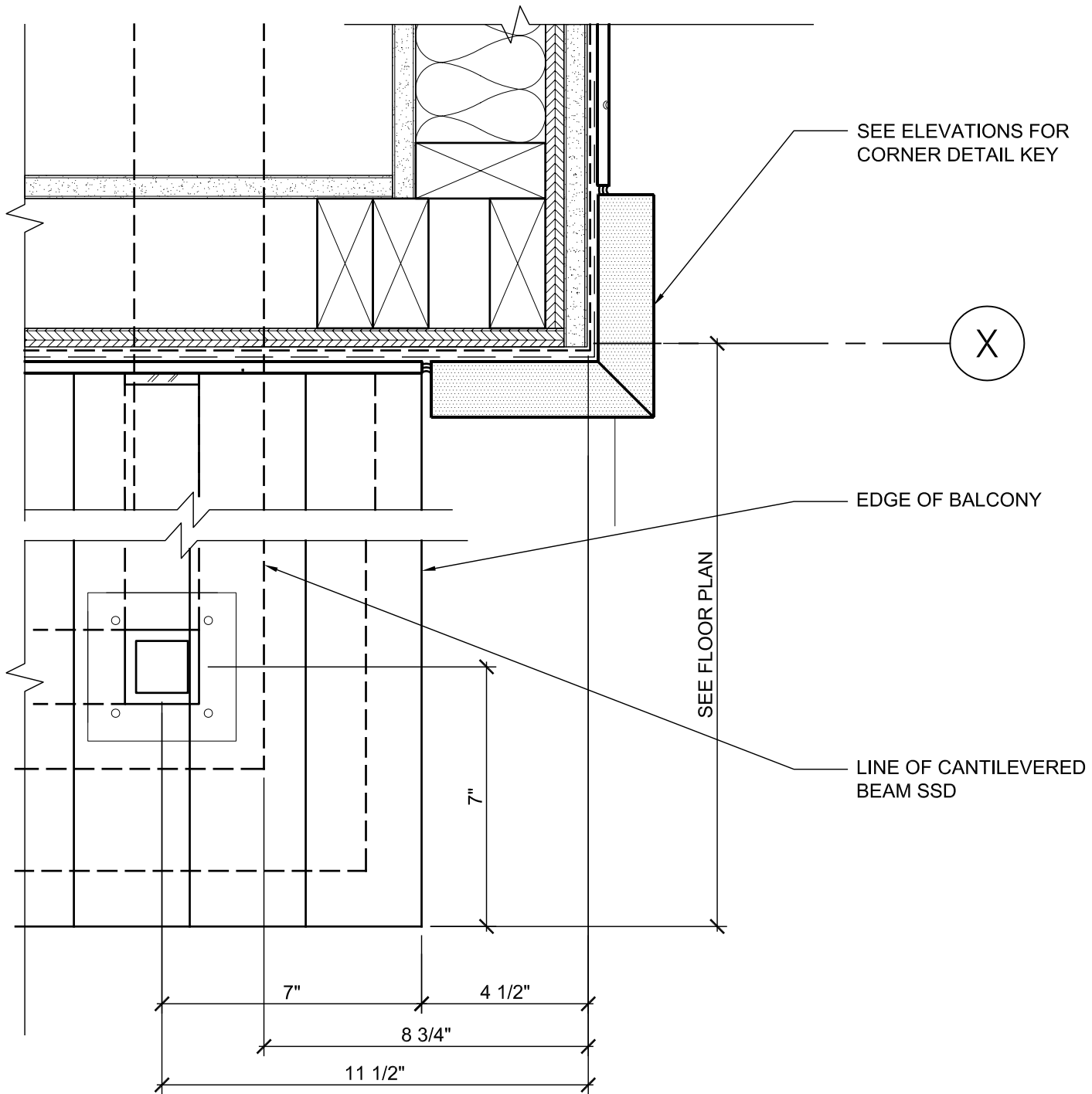
DATE: 10/14/08

SCALE: 3"=1'-0"

PLAN OF BALCONY @ COLUMN

A520 150A

MASTER



**Michael
Willis
Architects**



MWA JOB #: 200807

REVISION:
- -

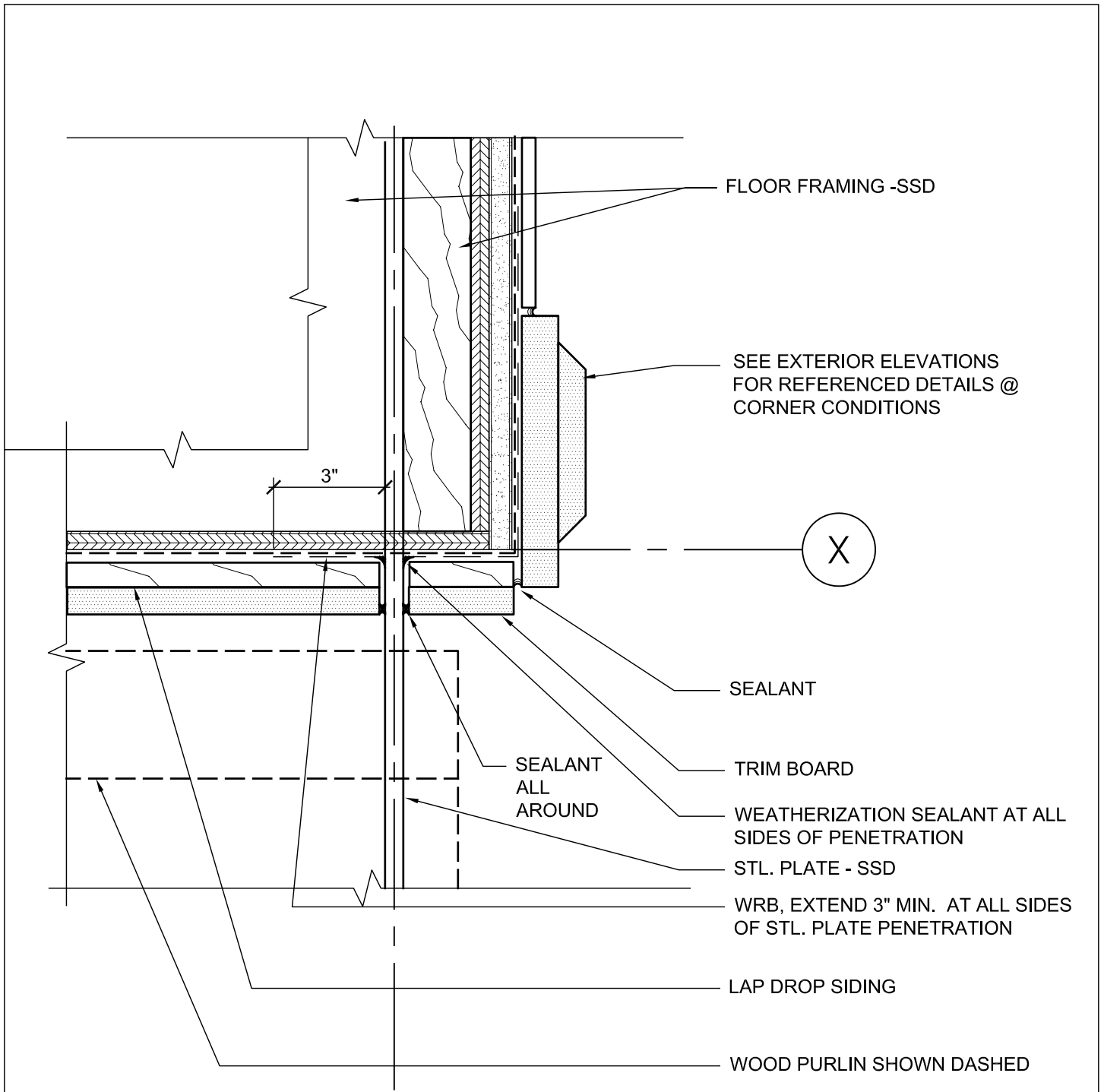
TREME/LAFITTE AND TULANE GRAVIER HOME
BUILDING PLAN
NEW ORLEANS, LOUISIANA

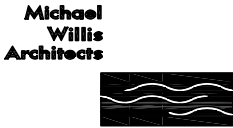
DATE: 10/14/08

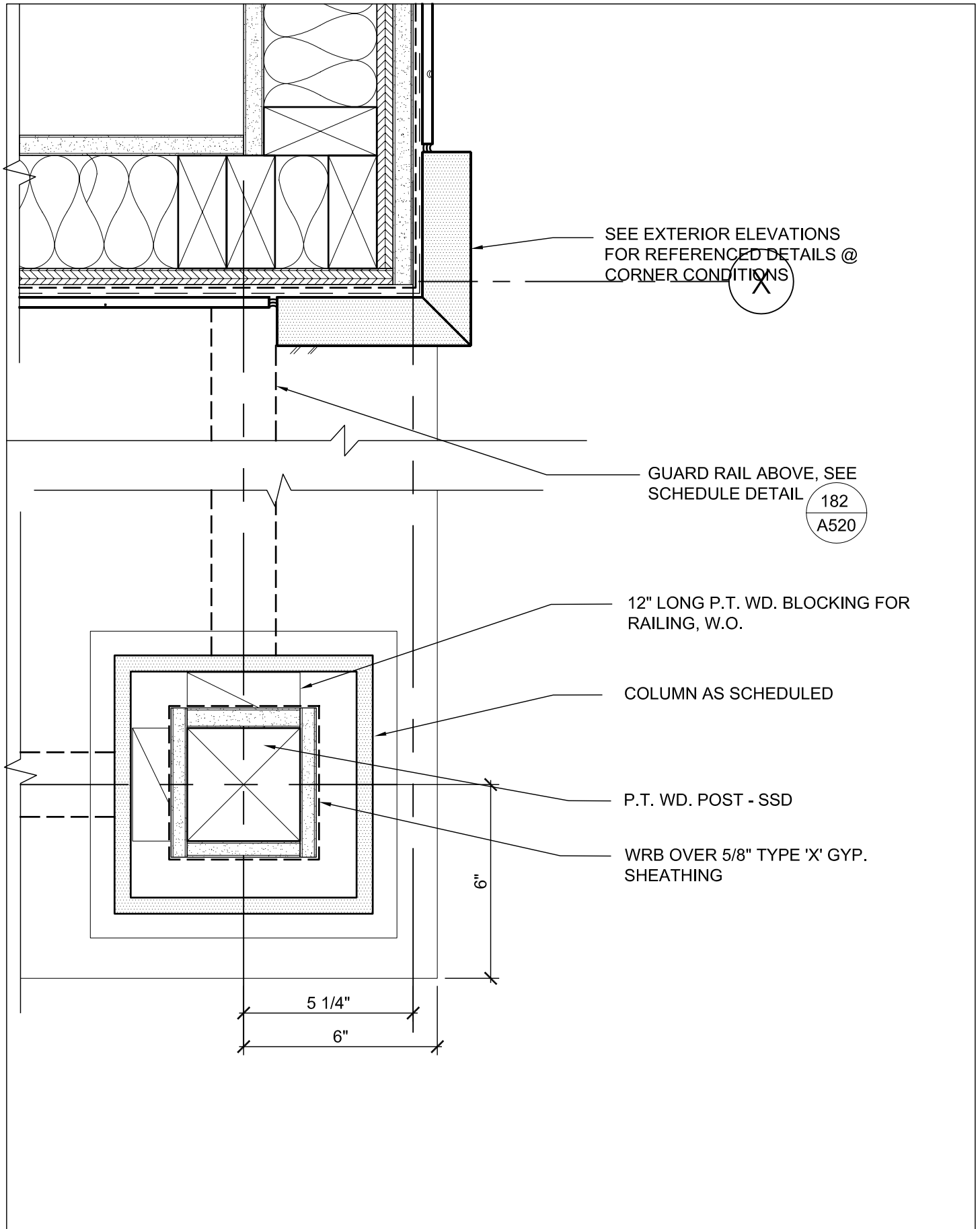
SCALE: ViewportScale

PLAN OF RAILING AT BALCONY

A520 150B



	MWA JOB #: 200807	TREME/LAFITTE AND TULANE GRAVIER HOME	DATE: 10/14/08
	REVISION: -	BUILDING PLAN NEW ORLEANS, LOUISIANA	SCALE: 3" = 1'-0"
		PLAN SECTION @ PORCH PLATE BEAM	A520-151



SEE EXTERIOR ELEVATIONS
FOR REFERENCED DETAILS @
CORNER CONDITIONS



GUARD RAIL ABOVE, SEE
SCHEDULE DETAIL



12" LONG P.T. WD. BLOCKING FOR
RAILING, W.O.


COLUMN AS SCHEDULED

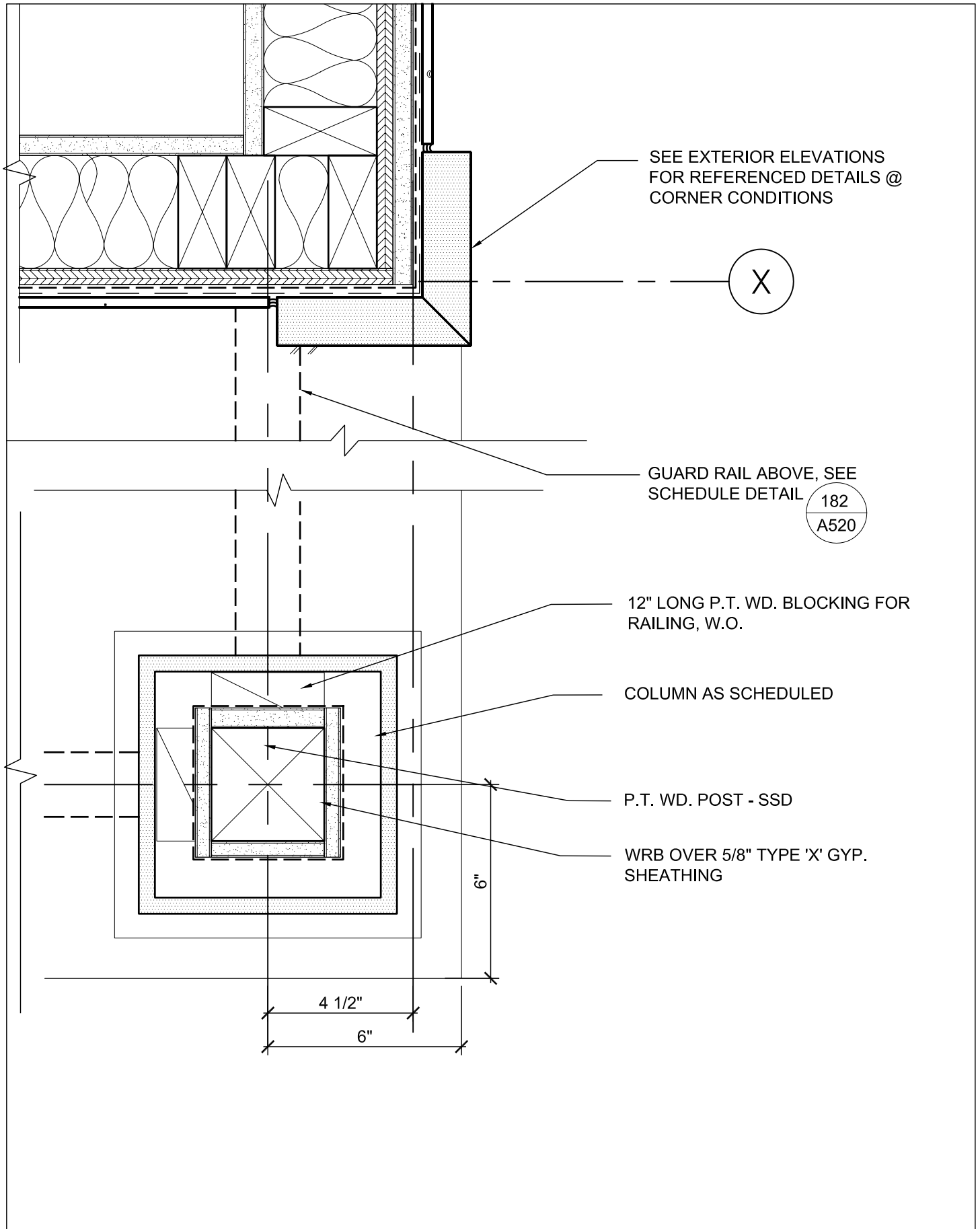
P.T. WD. POST - SSD

WRB OVER 5/8" TYPE 'X' GYP.
SHEATHING

5 1/4"
6"

6"

	MWA JOB #: 200807	TREME/LAFITTE AND TULANE GRAVIER HOME	DATE: 10/14/08
	REVISION: -	BUILDING PLAN NEW ORLEANS, LOUISIANA	SCALE: 3"=1'-0"
PLAN OF RAILING AT BALCONY			A520 152



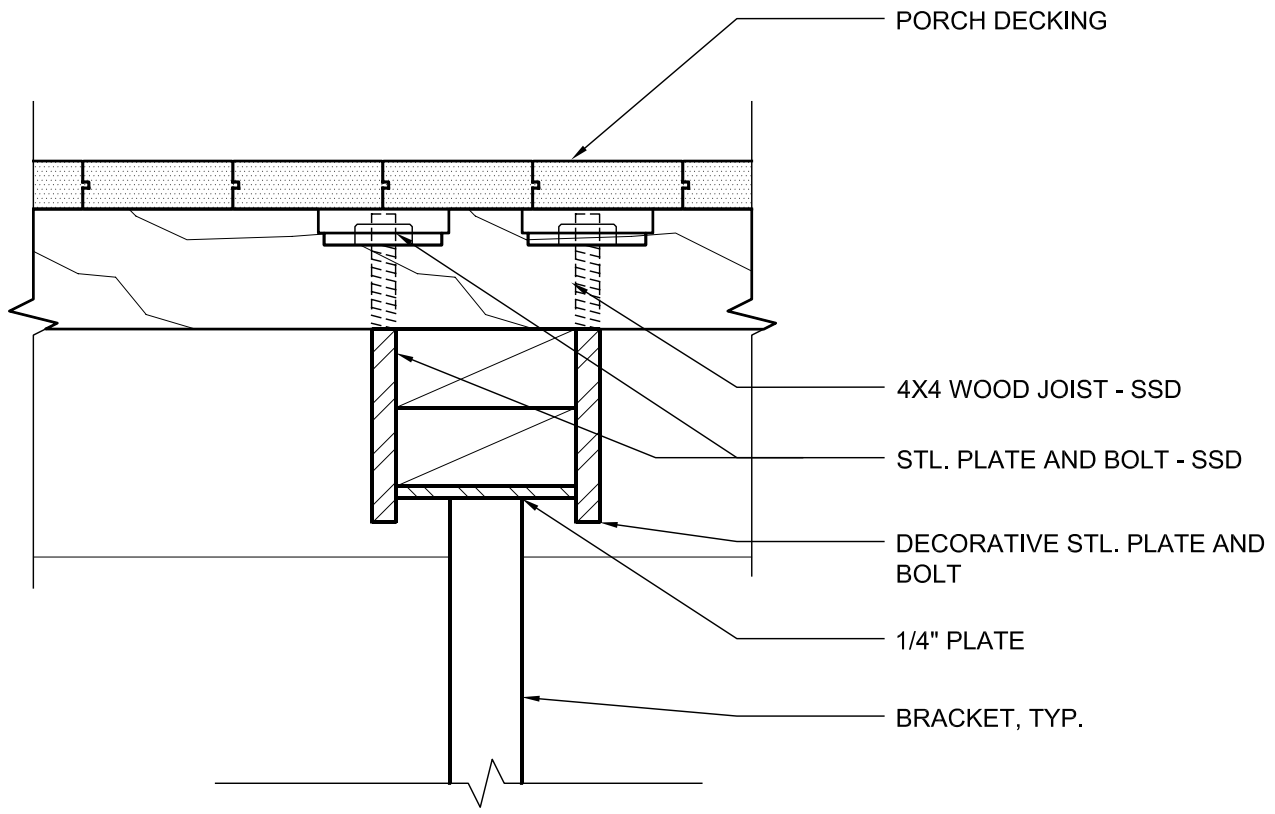
MWA JOB #: 200807
 REVISION: -

TREME/LAFITTE AND TULANE GRAVIER HOME
 BUILDING PLAN
 NEW ORLEANS, LOUISIANA

DATE: 10/14/08
 SCALE: 3"=1'-0"

PLAN OF RAILING @ BALCONY

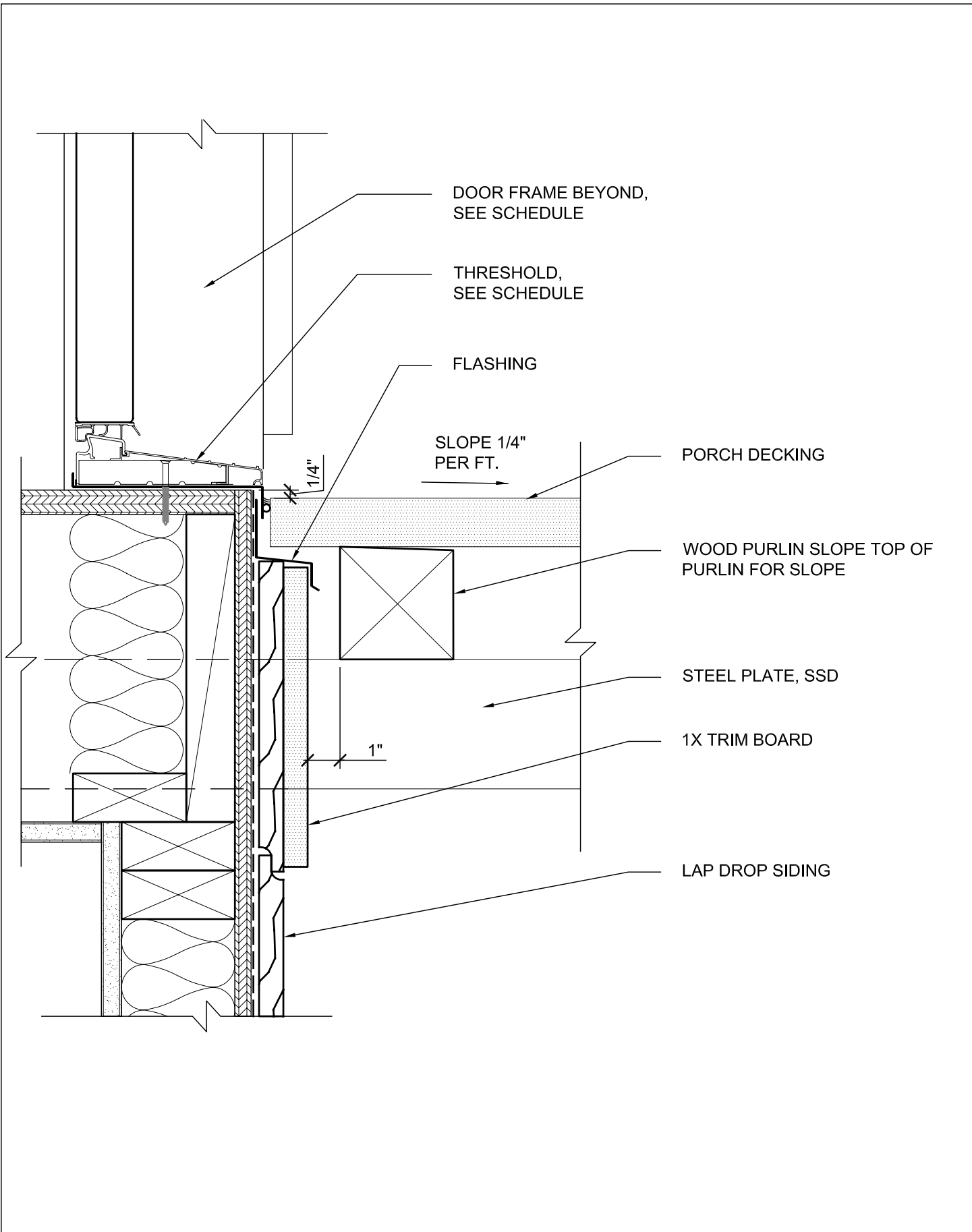
A520 153



MWA JOB #: 200807
 REVISION:
 -

TREME/LAFITTE AND TULANE GRAVIER HOME
 BUILDING PLAN
 NEW ORLEANS, LOUISIANA
 SECTION @ BALCONY STEEL
 PLATE BEAM

DATE: 10/14/08
 SCALE: ViewportScale
 A520-154



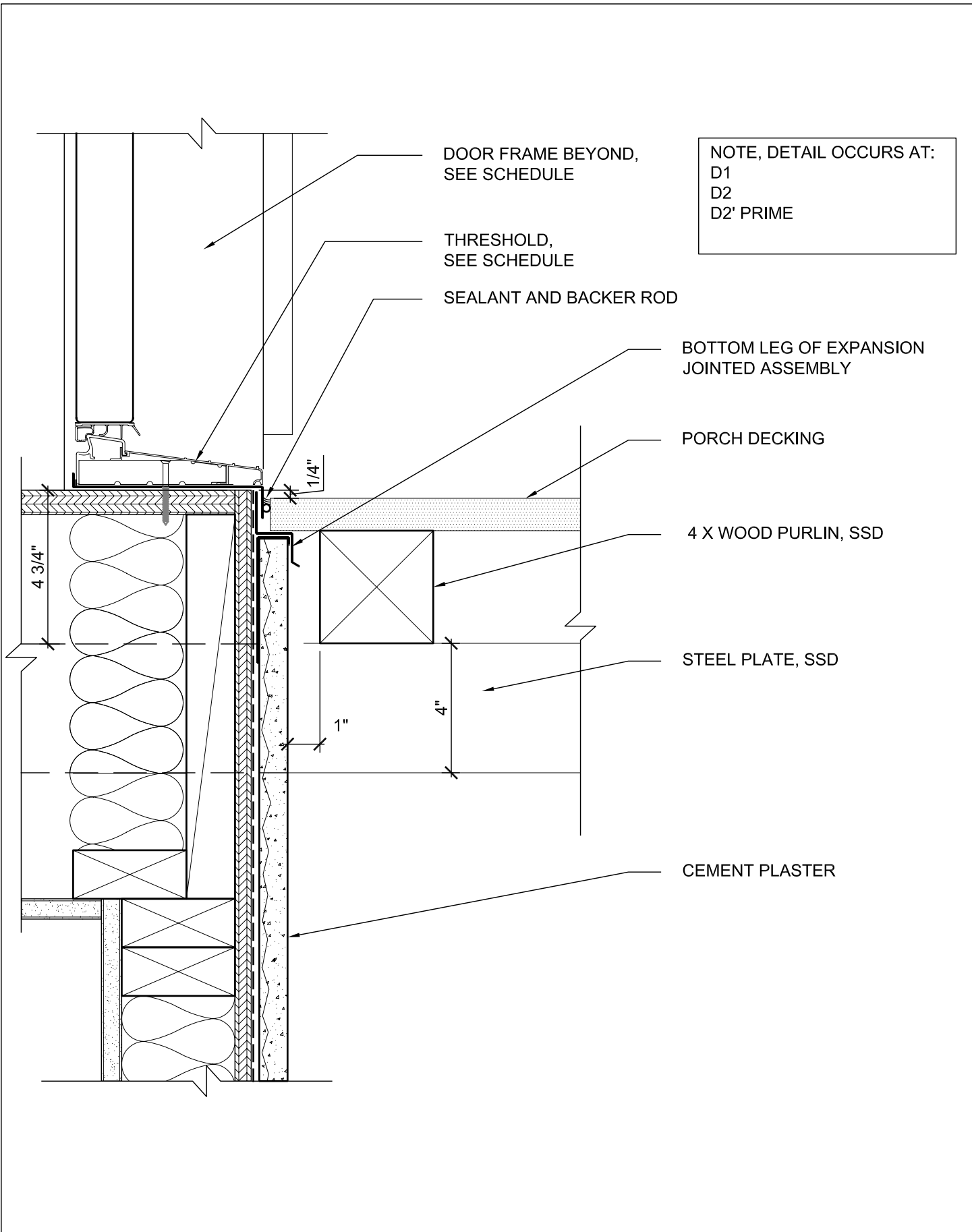
MWA JOB #: 200807
REVISION:
- -

TREME/LAFITTE AND TULANE GRAVIER HOME
BUILDING PLAN
NEW ORLEANS, LOUISIANA

DATE: 10/14/08
SCALE: ViewportScale

DOOR THRESHOLD AT BALCONY

A520-155



NOTE, DETAIL OCCURS AT:
 D1
 D2
 D2' PRIME

DOOR FRAME BEYOND,
 SEE SCHEDULE

THRESHOLD,
 SEE SCHEDULE

SEALANT AND BACKER ROD

BOTTOM LEG OF EXPANSION
 JOINTED ASSEMBLY

PORCH DECKING

4 X WOOD PURLIN, SSD

STEEL PLATE, SSD

CEMENT PLASTER

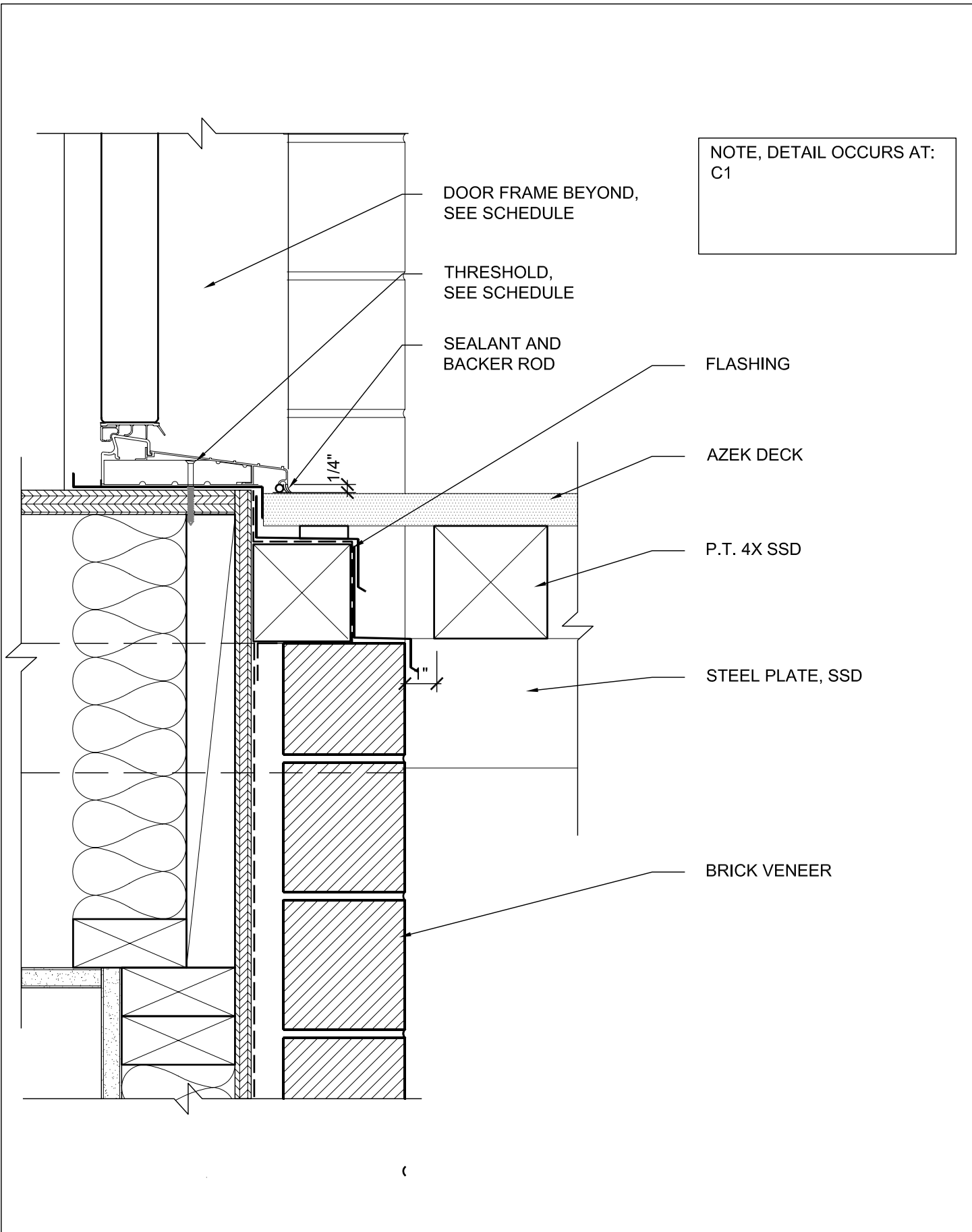
4 3/4"

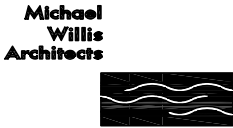
1/4"

1"

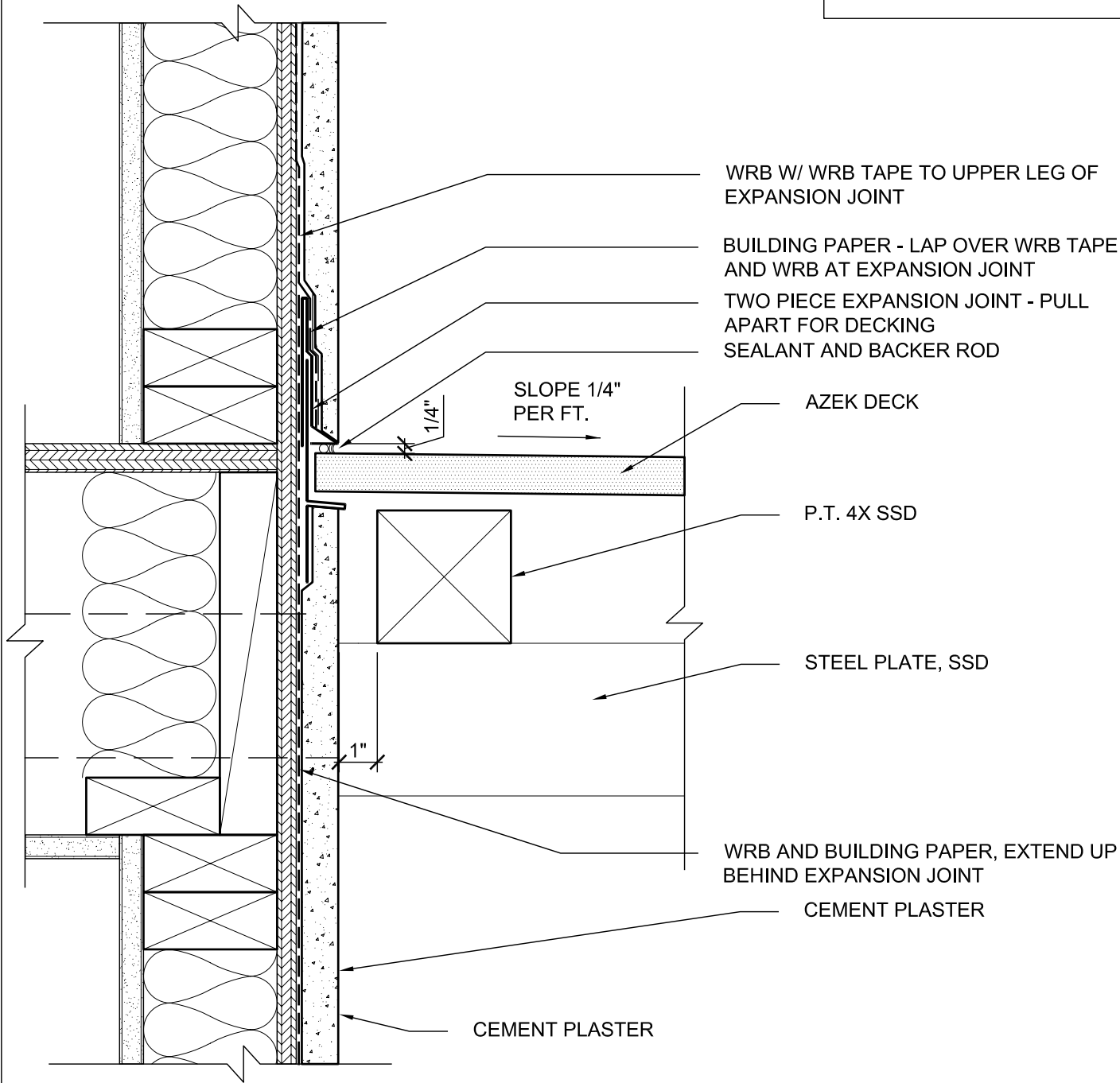
4"

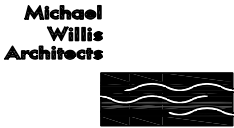
	MWA JOB #: 200807	TREME/LAFITTE AND TULANE GRAVIER HOME	DATE: 10/14/08
	REVISION: -	BUILDING PLAN NEW ORLEANS, LOUISIANA	SCALE: 3" = 1'-0"
DOOR THRESHOLD AT BALCONY			A520-157

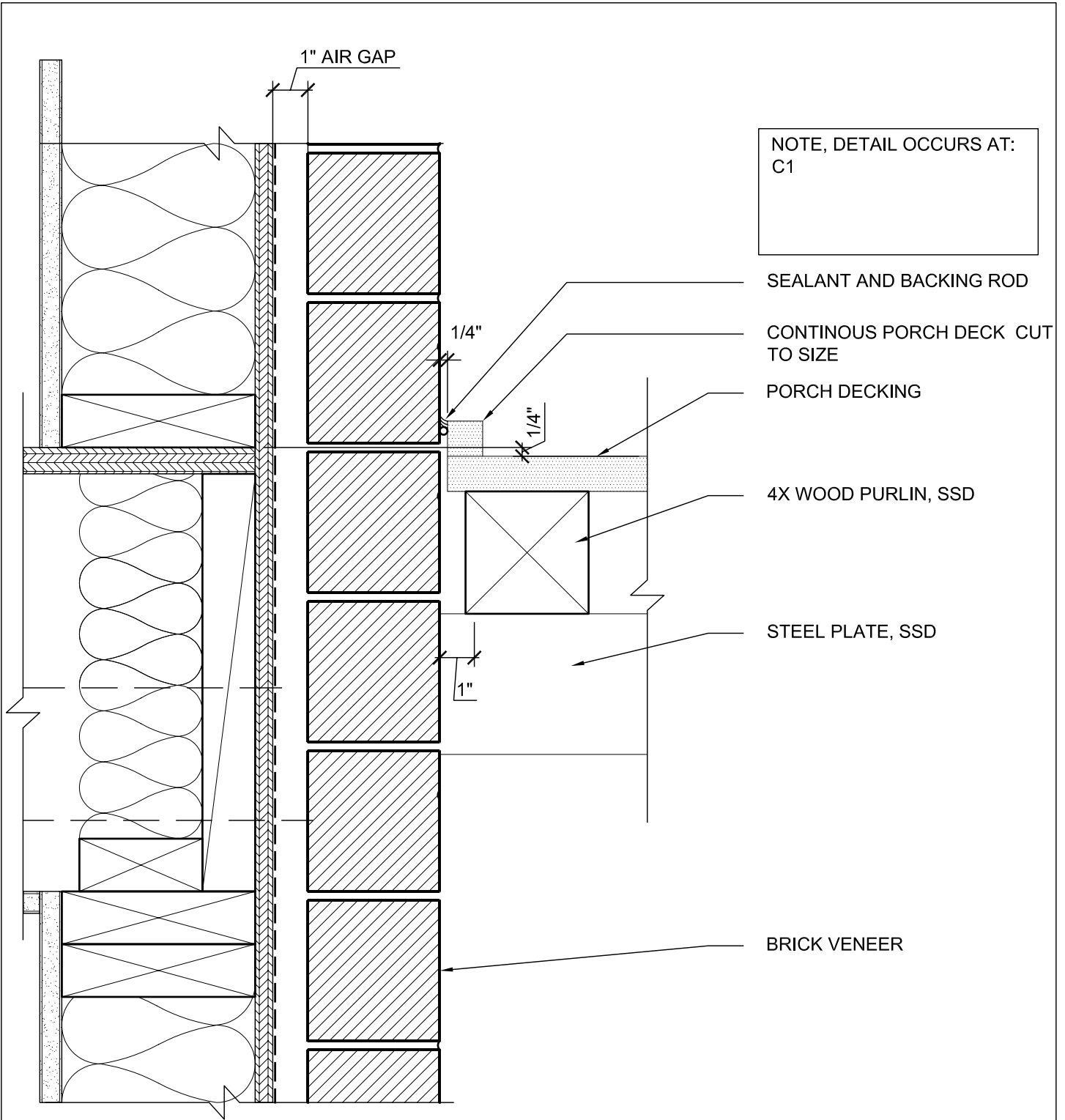


	MWA JOB #: 200807	TREME/LAFITTE AND TULANE GRAVIER HOME	DATE: 10/14/08
	REVISION: -	BUILDING PLAN NEW ORLEANS, LOUISIANA	SCALE: 3" = 1'-0"
DOOR THRESHOLD AT BALCONY & BRICK VENEER			A520-158

NOTE, DETAIL OCCURS AT:
 D1
 D2
 D2' PRIME



	MWA JOB #: 200807	TREME/LAFITTE AND TULANE GRAVIER HOME	DATE: 10/14/08
	REVISION: - -	BUILDING PLAN NEW ORLEANS, LOUISIANA	SCALE: 3" = 1'-0"
		BALCONY AT CEMENT PLASTER WALL	A520-159



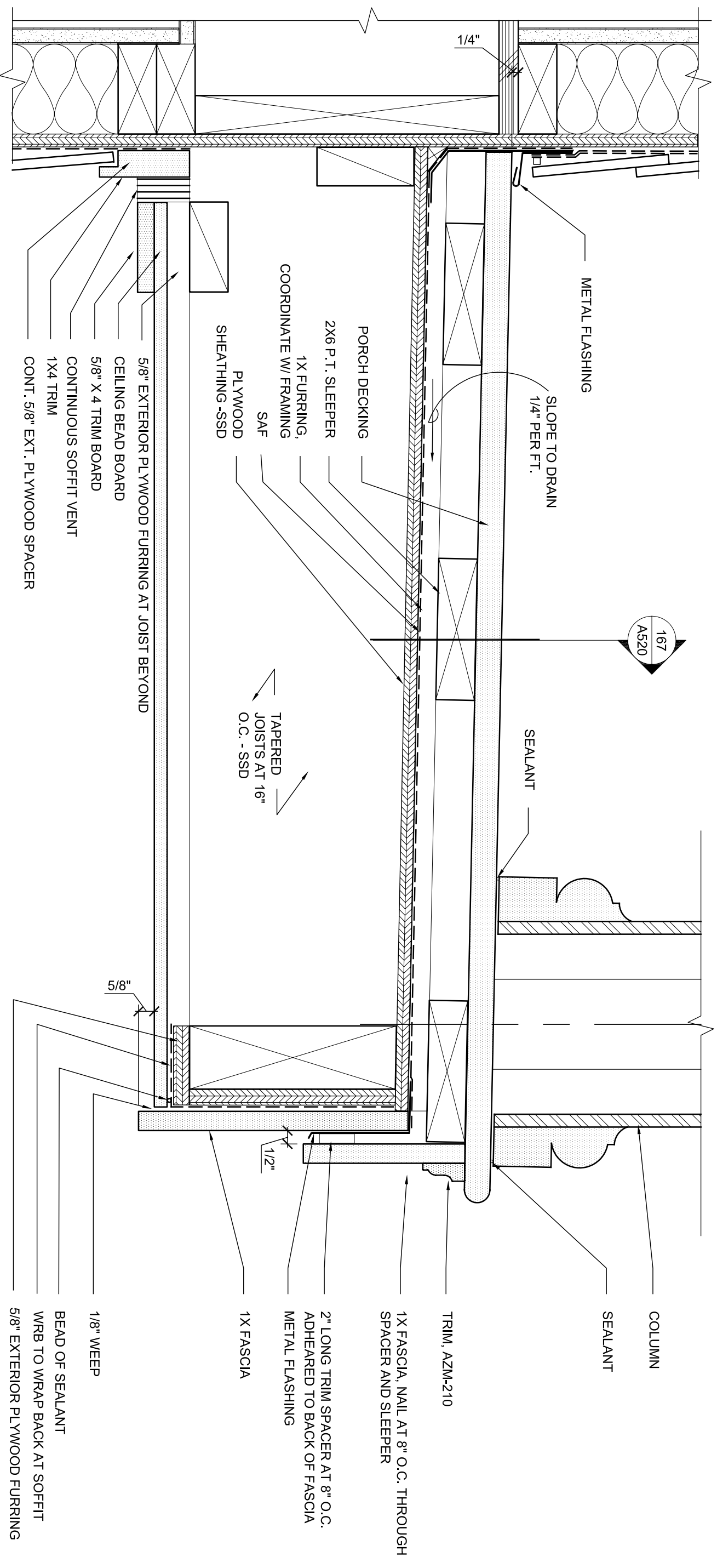
MWA JOB #: 200807
 REVISION: -

TREME/LAFITTE AND TULANE GRAVIER HOME
 BUILDING PLAN
 NEW ORLEANS, LOUISIANA

DATE: 10/14/08
 SCALE: 3" = 1'-0"

BALCONY AT BRICK VENEER

A520-160



167
A520



MWA JOB #: 200807
REVISION

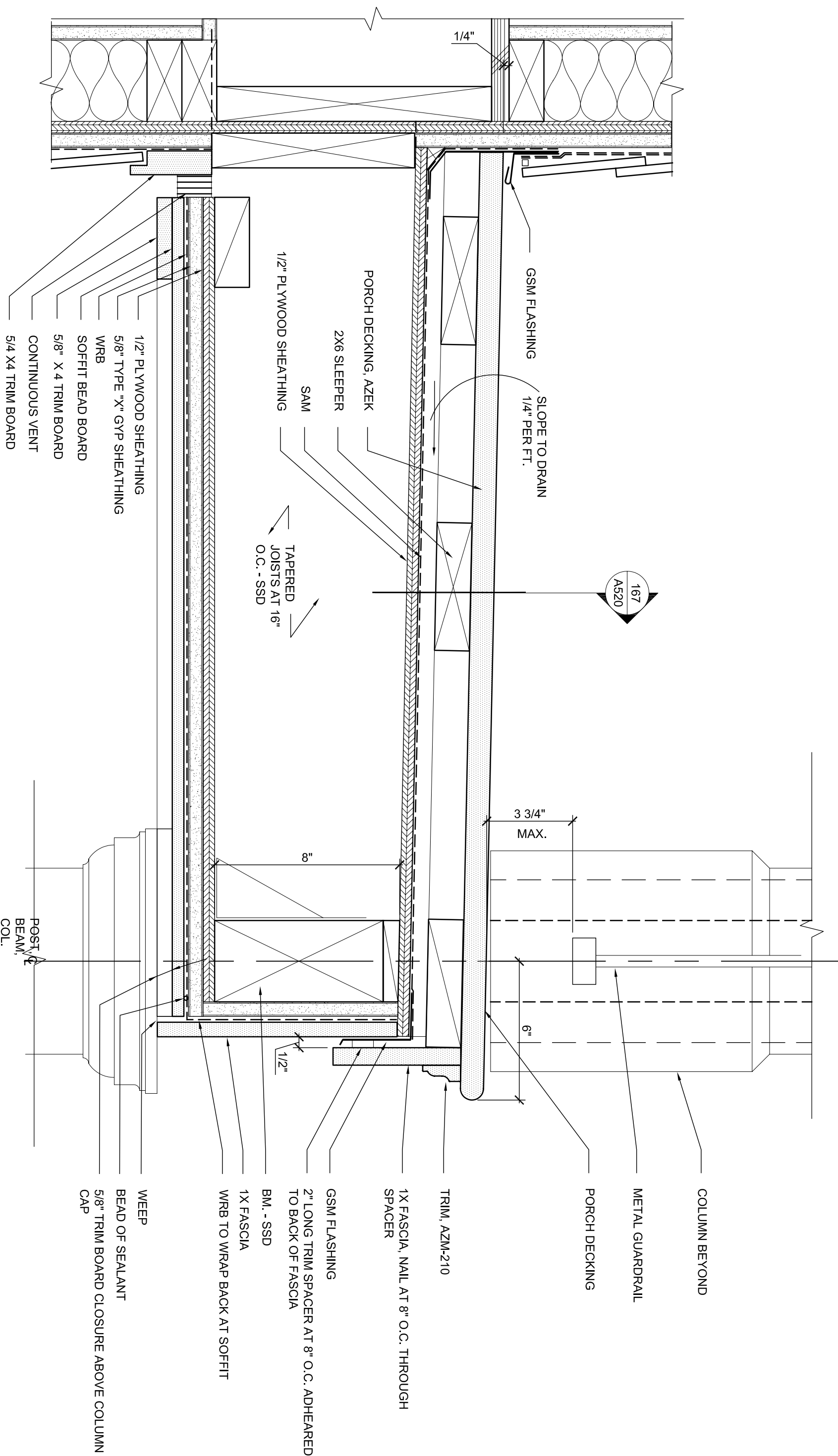
TREME/LAFITTE AND TULANE GRAVIER HOME BUILDING PLAN

NEW ORLEANS, LOUISIANA

PORCH BALCONY SECTION

DATE: 10/09/08
SCALE: 3/8"=1'-0"

A520-161



- 1/2" PLYWOOD SHEATHING
- 5/8" TYPE "X" GYP SHEATHING
- WRB
- SOFFIT BEAD BOARD
- 5/8" X 4 TRIM BOARD
- CONTINUOUS VENT
- 5/4 X4 TRIM BOARD

- COLUMN BEYOND
- METAL GUARDRAIL
- PORCH DECKING
- TRIM, AZM-210
- 1X FASCIA, NAIL AT 8" O.C. THROUGH SPACER
- GSM FLASHING
- 2" LONG TRIM SPACER AT 8" O.C. ADHEARED TO BACK OF FASCIA
- BM. - SSD
- 1X FASCIA
- WRB TO WRAP BACK AT SOFFIT
- WEEP
- BEAD OF SEALANT
- 5/8" TRIM BOARD CLOSURE ABOVE COLUMN CAP

TREME/LAFITTE AND TULANE GRAVIER HOME BUILDING PLAN

NEW ORLEANS, LOUISIANA

1-HR BALCONY



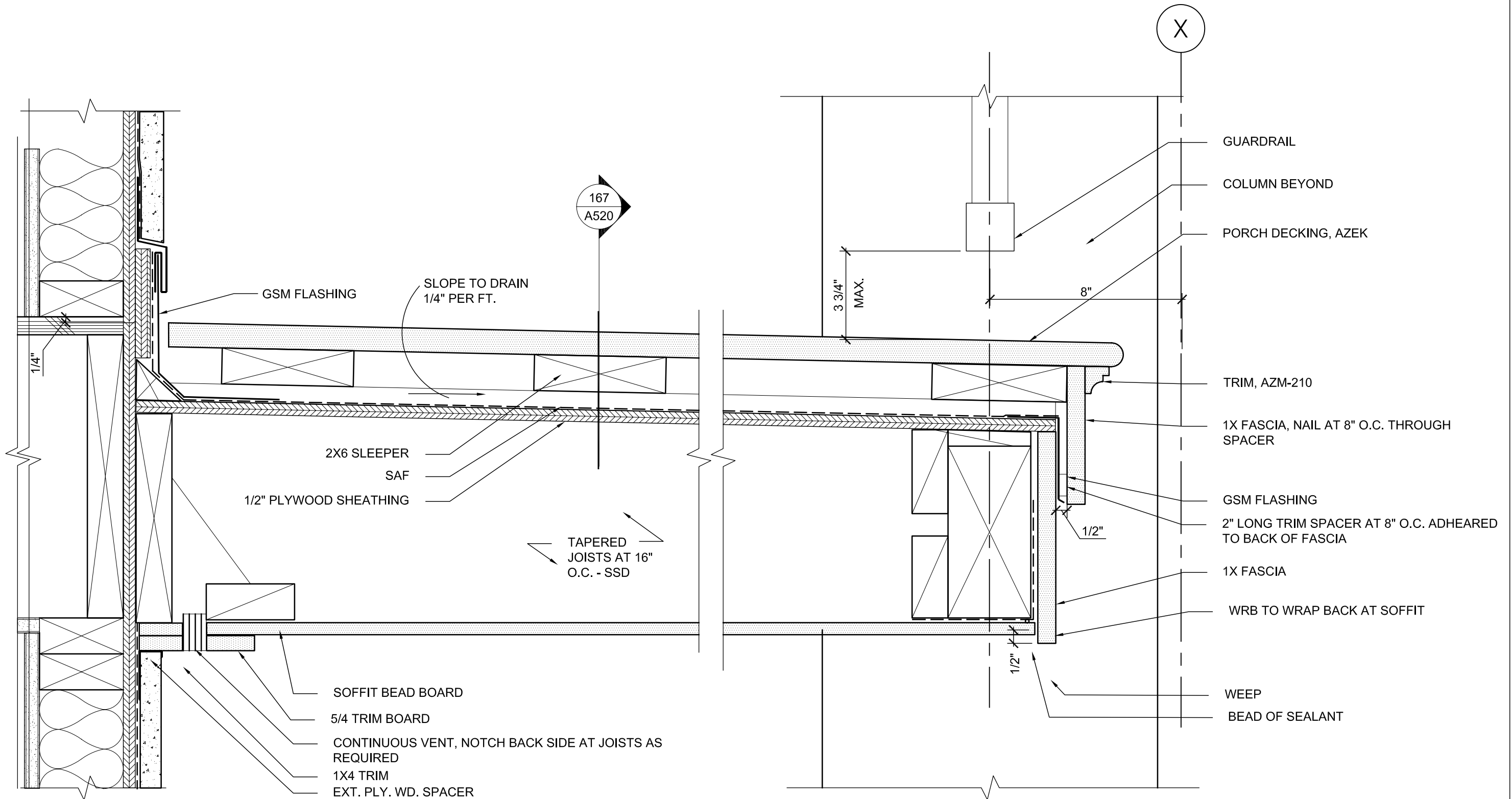
MWA JOB #: 200807

REVISION

DATE: 10/09/08

SCALE: 3/4"=1'-0"

A520-162



MWA JOB #: 200807
 REVISION

TREME/LAFITTE AND TULANE GRAVIER HOME BUILDING PLAN

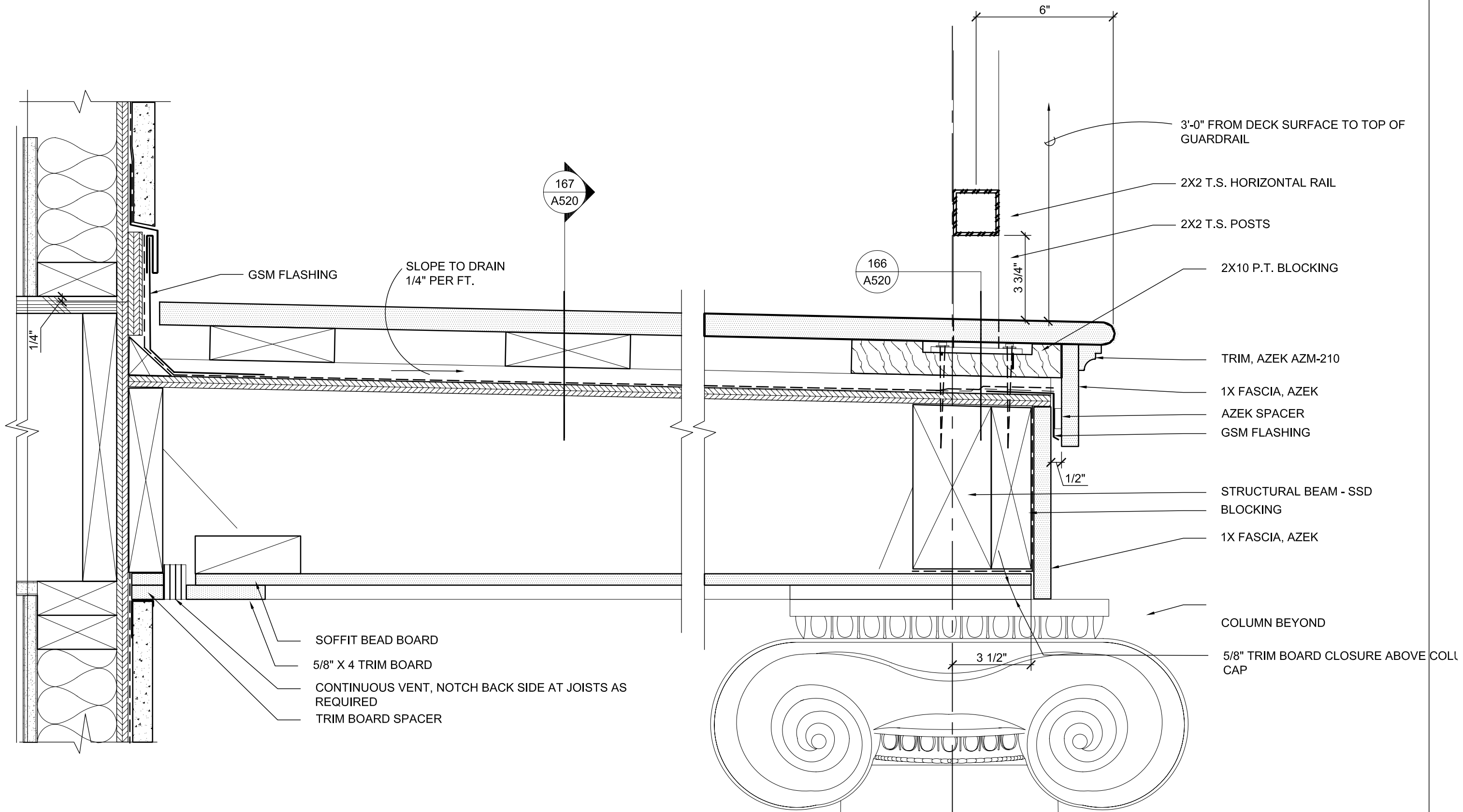
NEW ORLEANS, LOUISIANA

DATE: 10/09/08

SCALE: 3" = 1'-0"

NON RATED BALCONY SECTION

A520-163



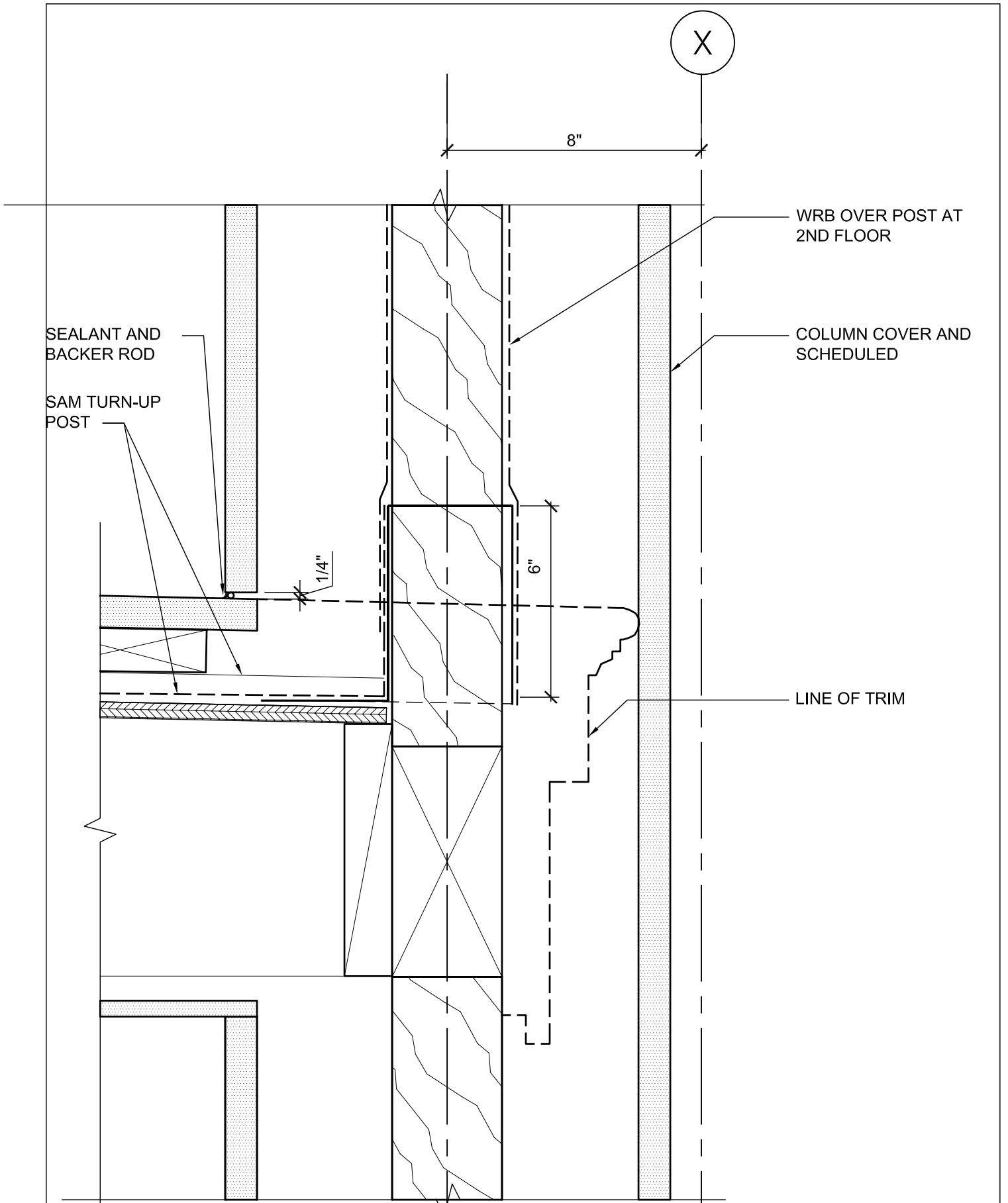
MWA JOB #: 200807
 REVISION

TREME/LAFITTE AND TULANE GRAVIER HOME BUILDING PLAN
 NEW ORLEANS, LOUISIANA

DATE: 10/09/08
 SCALE: ViewportScale

NON-RATED BALCONY SECTION

A520-163A



X

8"

WRB OVER POST AT 2ND FLOOR

COLUMN COVER AND SCHEDULED


SEALANT AND BACKER ROD

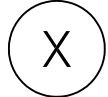
SAM TURN-UP POST

1/4"

6"

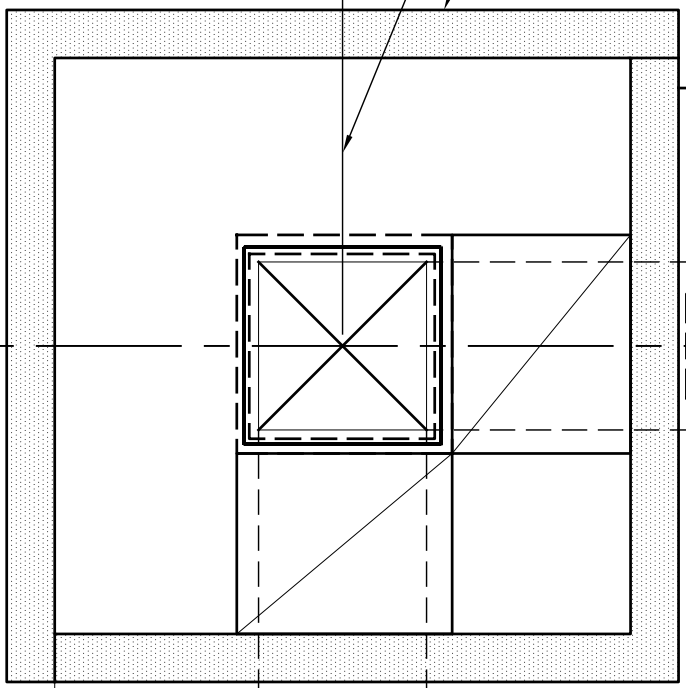
LINE OF TRIM

	MWA JOB #: 200807	TREME/LAFITTE AND TULANE GRAVIER HOME BUILDING PLAN NEW ORLEANS, LOUISIANA	DATE: 10/14/08
	REVISION: -	SECTION THRU COLUMN AT BALCONY	SCALE: ViewportScale
			A520-163B



8"

12" LONG MIN PT.
WOOD BACKING FOR
RAILING TYP.
COLUMN AS
SCHEDULED



LINE OF BEAM
BELOW

RAILING AS
SCHEDULED

PORCH BELOW

**Michael
Willis
Architects**



MWA JOB #: 200807

REVISION:
- -

TREME/LAFITTE AND TULANE GRAVIER HOME
BUILDING PLAN
NEW ORLEANS, LOUISIANA

DATE: 10/14/08

SCALE: ViewportScale

**PLAN DETAIL AT BALCONY
CORNER**

A520-163C

(X)

8"

LINE OF BEAM BELOW

RAILING AS SCHEDULED

12" LONG MIN PT. WOOD BACKING FOR RAILING TYP.

COLUMN AS SCHEDULED

163B
A520

PORCH BELOW

**Michael
Willis
Architects**



MWA JOB #: 200807

REVISION:
- -

TREME/LAFITTE AND TULANE GRAVIER HOME
BUILDING PLAN
NEW ORLEANS, LOUISIANA

DATE: 10/14/08

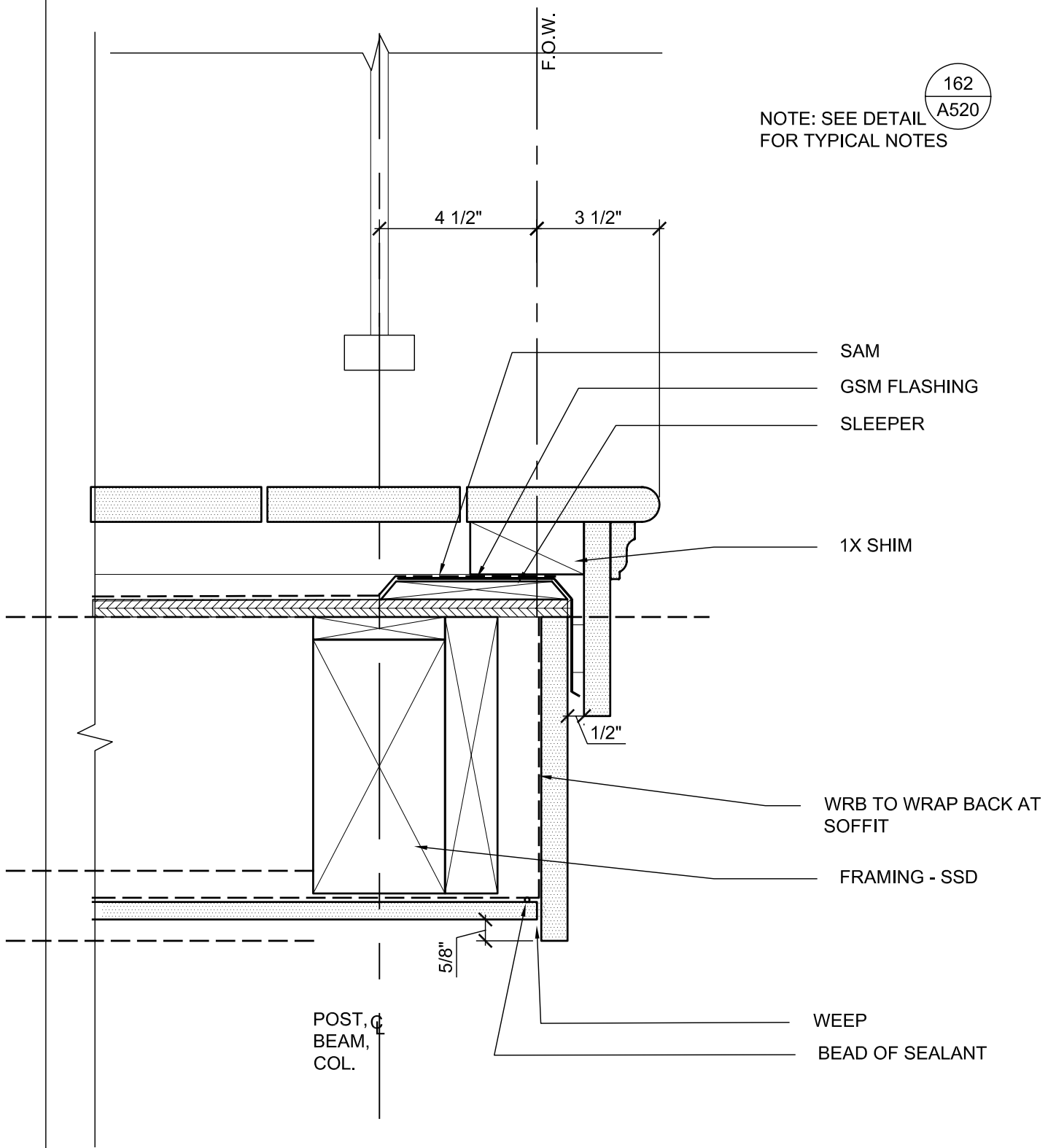
SCALE: ViewportScale

PLAN DETAIL OF COLUMN AT
BALCONY

A520-163D

162
A520

NOTE: SEE DETAIL
FOR TYPICAL NOTES



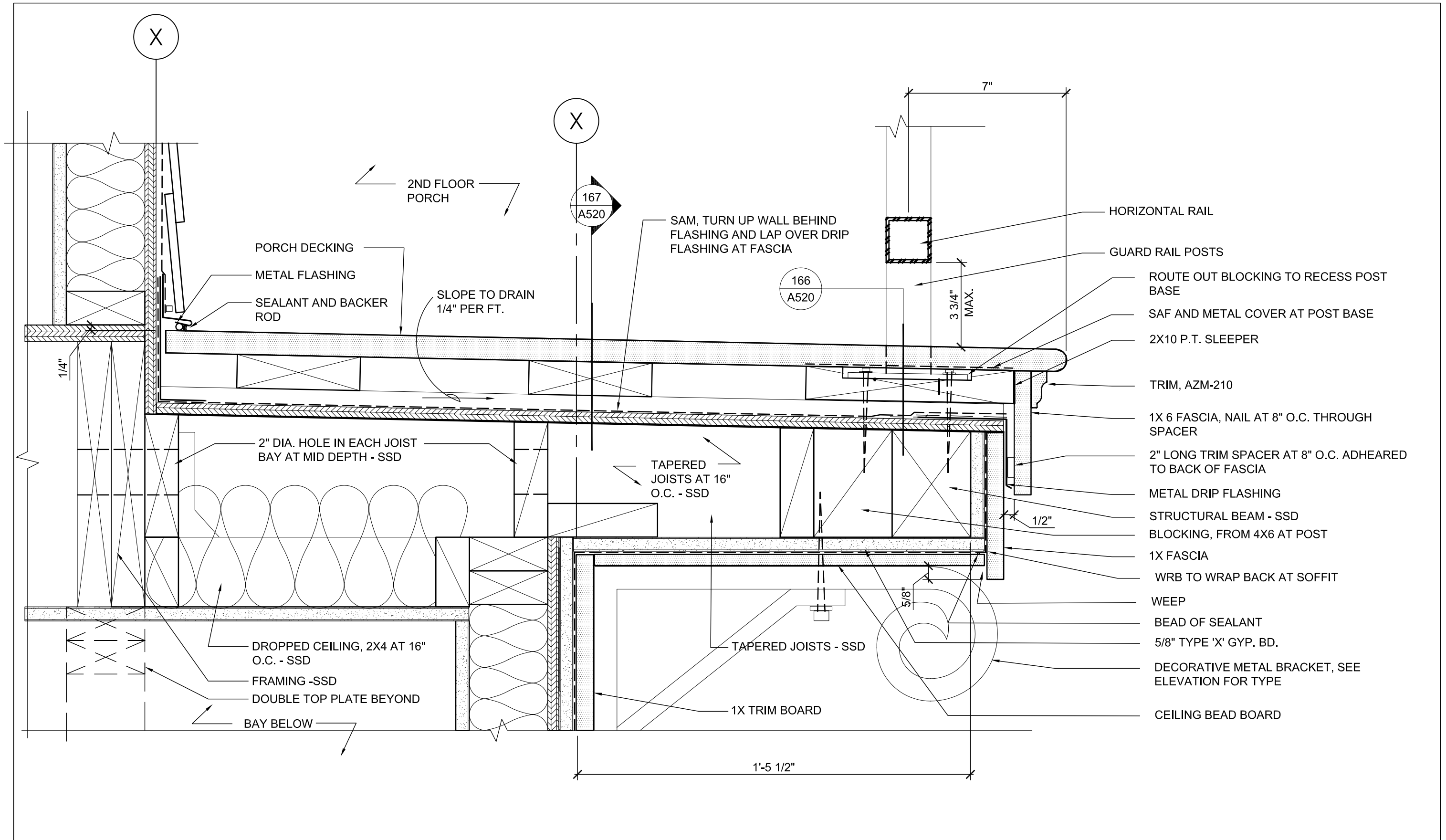
MWA JOB #: 200807
REVISION: -

TREME/LAFITTE AND TULANE GRAVIER HOME
BUILDING PLAN
NEW ORLEANS, LOUISIANA

DATE: 10/14/08
SCALE: ViewportScale

SECT. DET. AT SIDE OF BALCONY

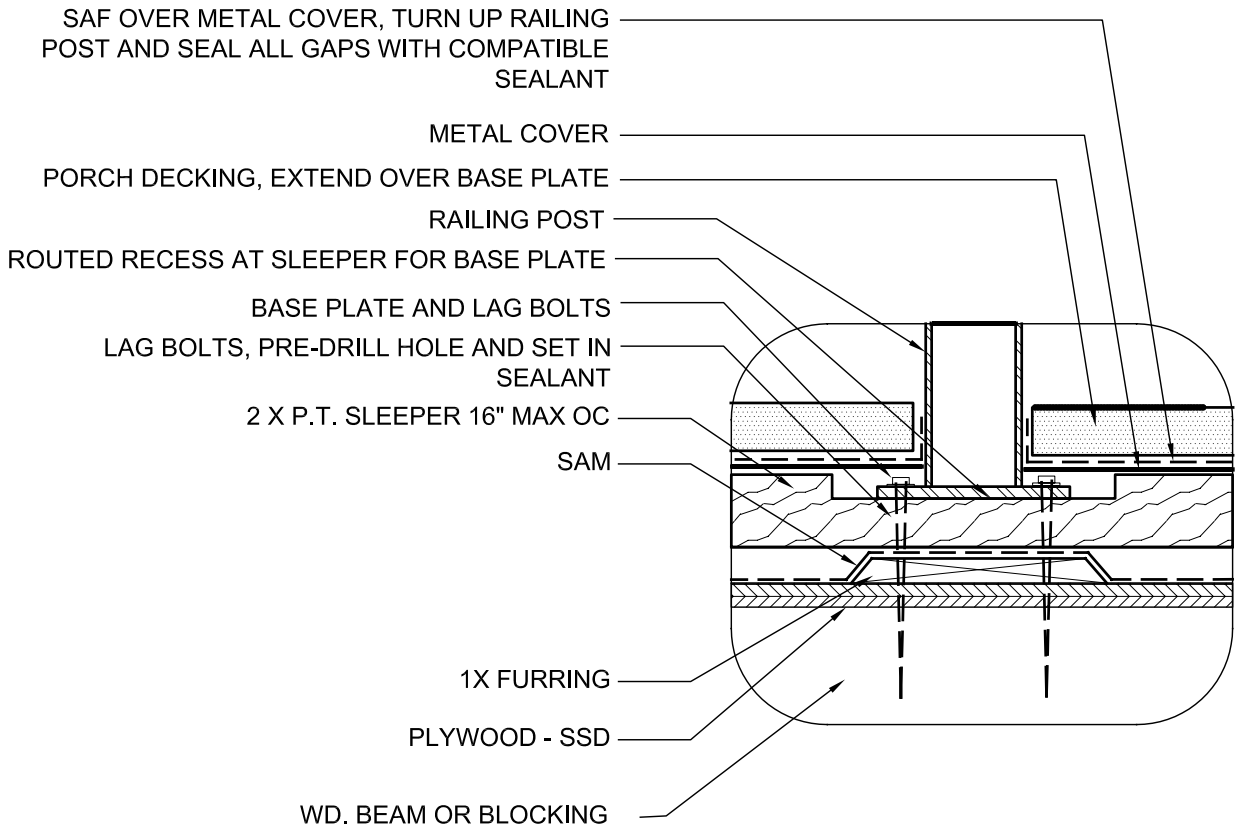
A520-164



MWA JOB #:	200807
REVISION	-

TREME/LAFITTE AND TULANE GRAVIER HOME BUILDING PLAN
 NEW ORLEANS, LOUISIANA
SECT DET. AT BAY ROOF AND BALCONY

DATE:	10/14/08
SCALE:	ViewportScale
A520-165	



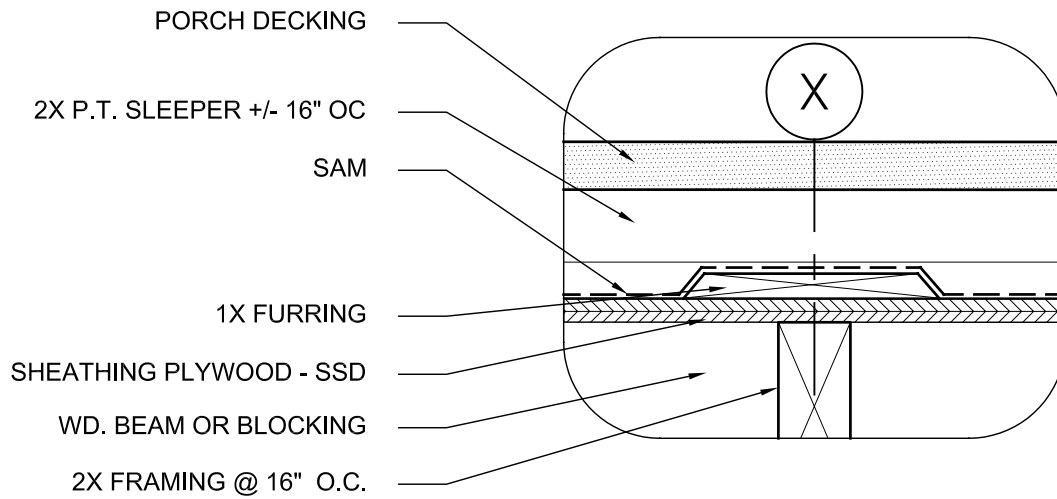
MWA JOB #: 200807
 REVISION: -

TREME/LAFITTE AND TULANE GRAVIER HOME
 BUILDING PLAN
 NEW ORLEANS, LOUISIANA

DATE: 10/14/08
 SCALE: ViewportScale

SECT. DET THRU RAILING POST
 ON SLEEPERS

A520-166



**Michael
Willis
Architects**



MWA JOB #: 200807

REVISION:
- -

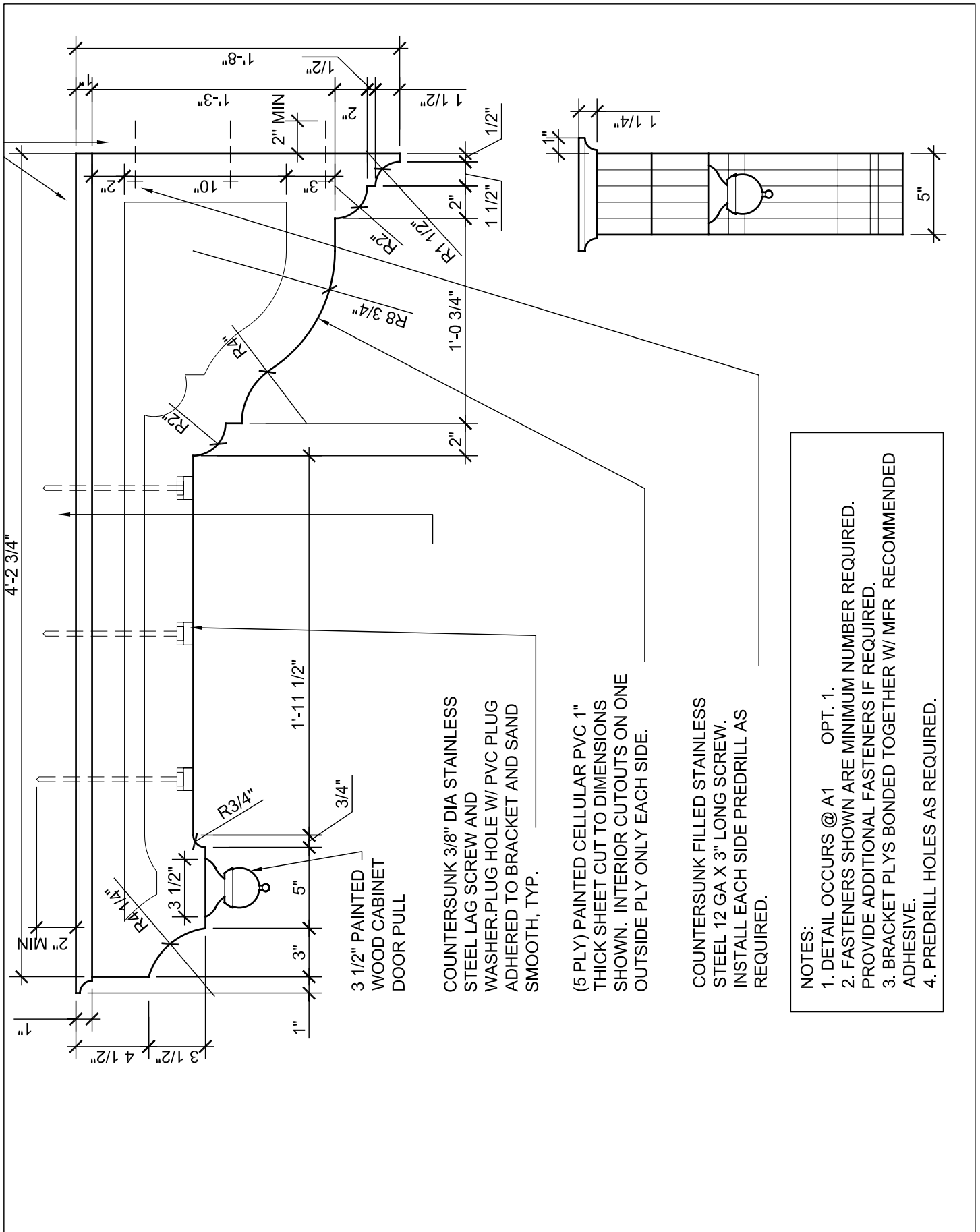
TREME/LAFITTE AND TULANE GRAVIER HOME
BUILDING PLAN
NEW ORLEANS, LOUISIANA

SECT. DET THRU DECKING ON
SLEEPERS


DATE: 10/14/08

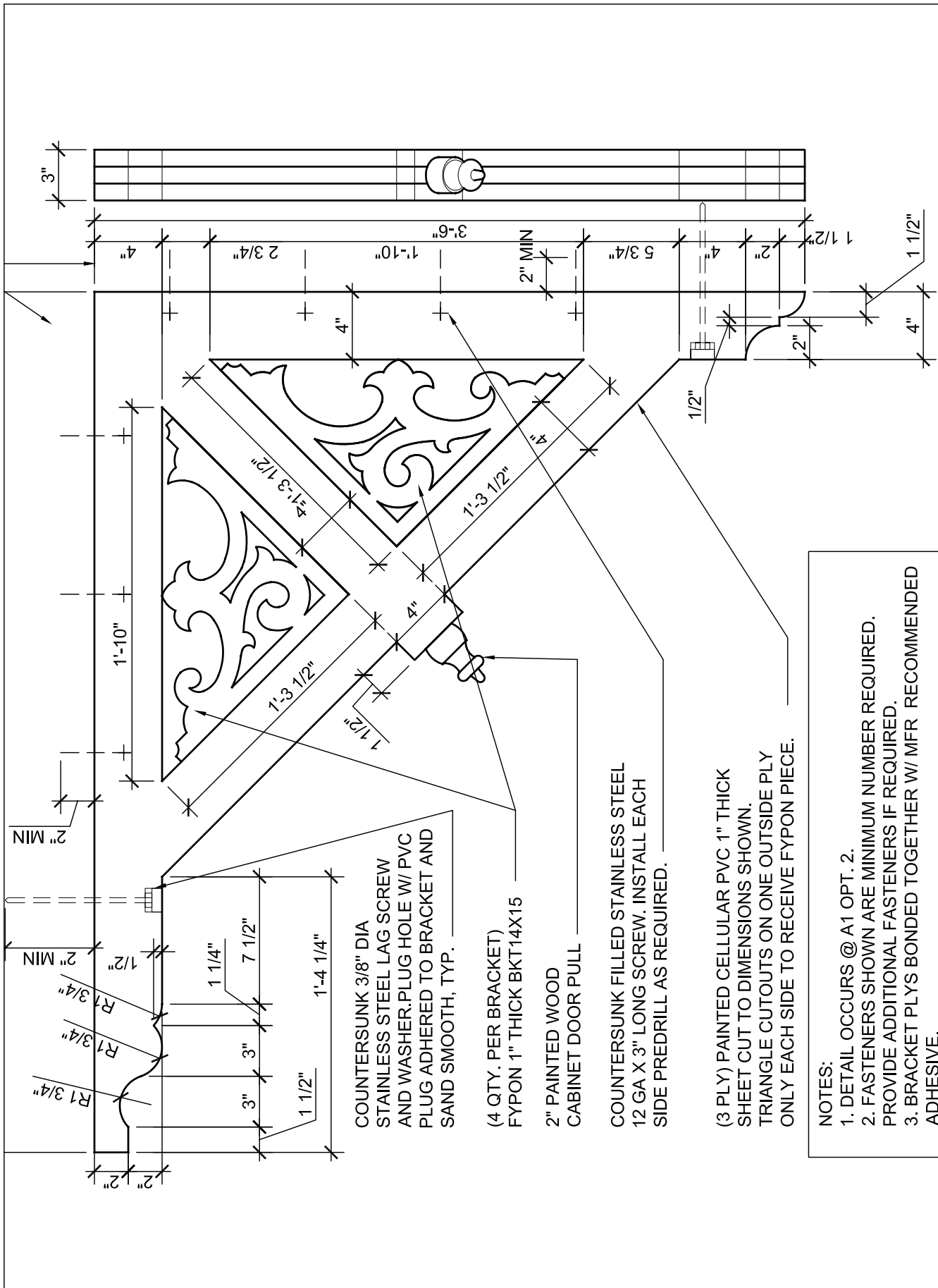
SCALE: 3"=1'-0"

A520-167



- NOTES:
1. DETAIL OCCURS @ A1 OPT. 1.
 2. FASTENERS SHOWN ARE MINIMUM NUMBER REQUIRED. PROVIDE ADDITIONAL FASTENERS IF REQUIRED.
 3. BRACKET PLYS BONDED TOGETHER W/ MFR RECOMMENDED ADHESIVE.
 4. PREDRILL HOLES AS REQUIRED.

	MWA JOB #: 200807	TREME/LAFITTE AND TULANE GRAVIER HOME	DATE: 10/14/08
	REVISION: -	BUILDING PLAN NEW ORLEANS, LOUISIANA	SCALE: 1 1/2" - 1'-0"
BRACKET ELEVATION TYPE 1			A520-170



COUNTERSUNK 3/8" DIA
 STAINLESS STEEL LAG SCREW
 AND WASHER. PLUG HOLE W/ PVC
 PLUG ADHERED TO BRACKET AND
 SAND SMOOTH, TYP.

(4 QTY. PER BRACKET)
 FYPON 1" THICK BKT14X15

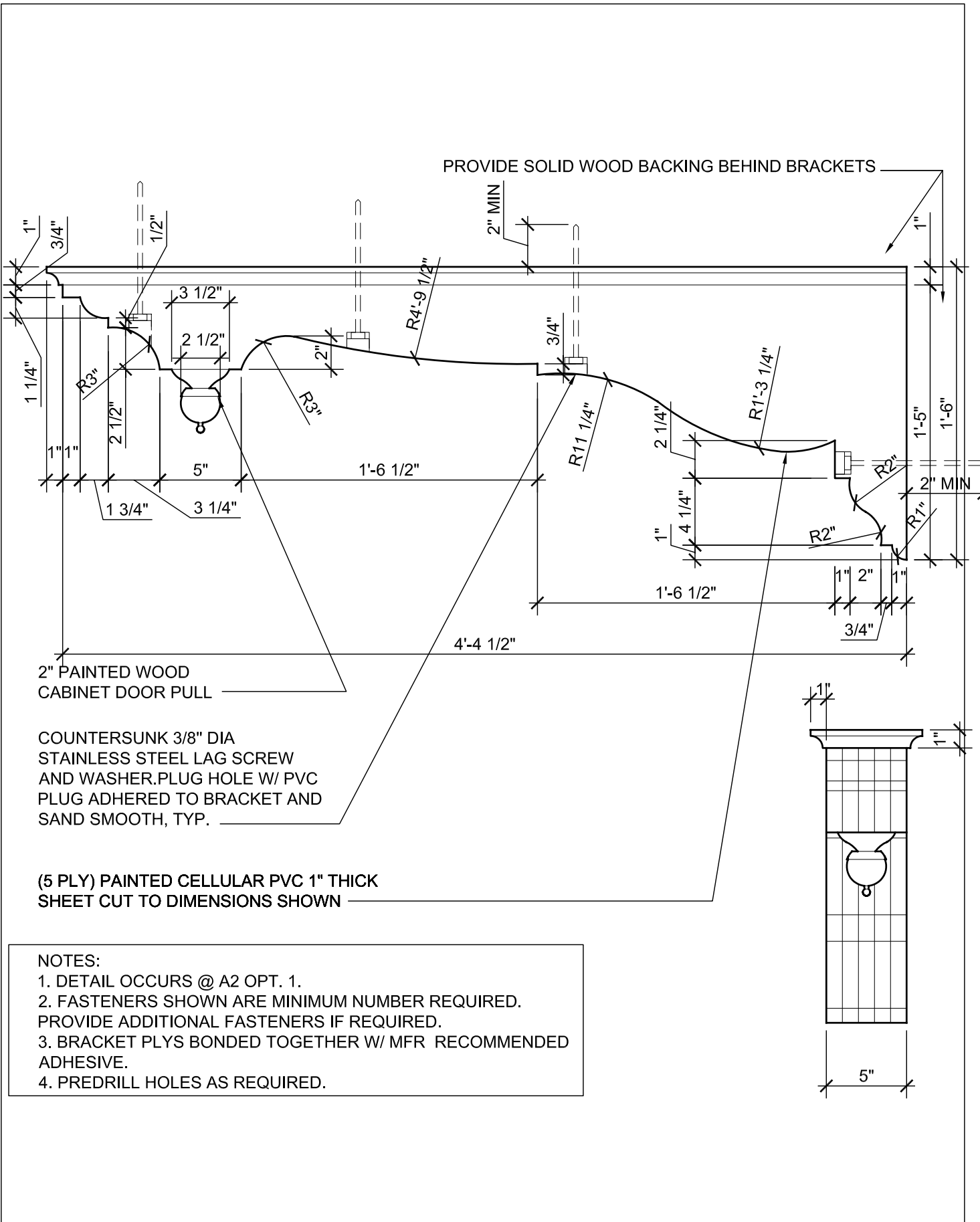
2" PAINTED WOOD
 CABINET DOOR PULL

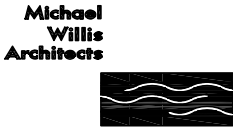
COUNTERSUNK FILLED STAINLESS STEEL
 12 GA X 3" LONG SCREW. INSTALL EACH
 SIDE PREDRILL AS REQUIRED.

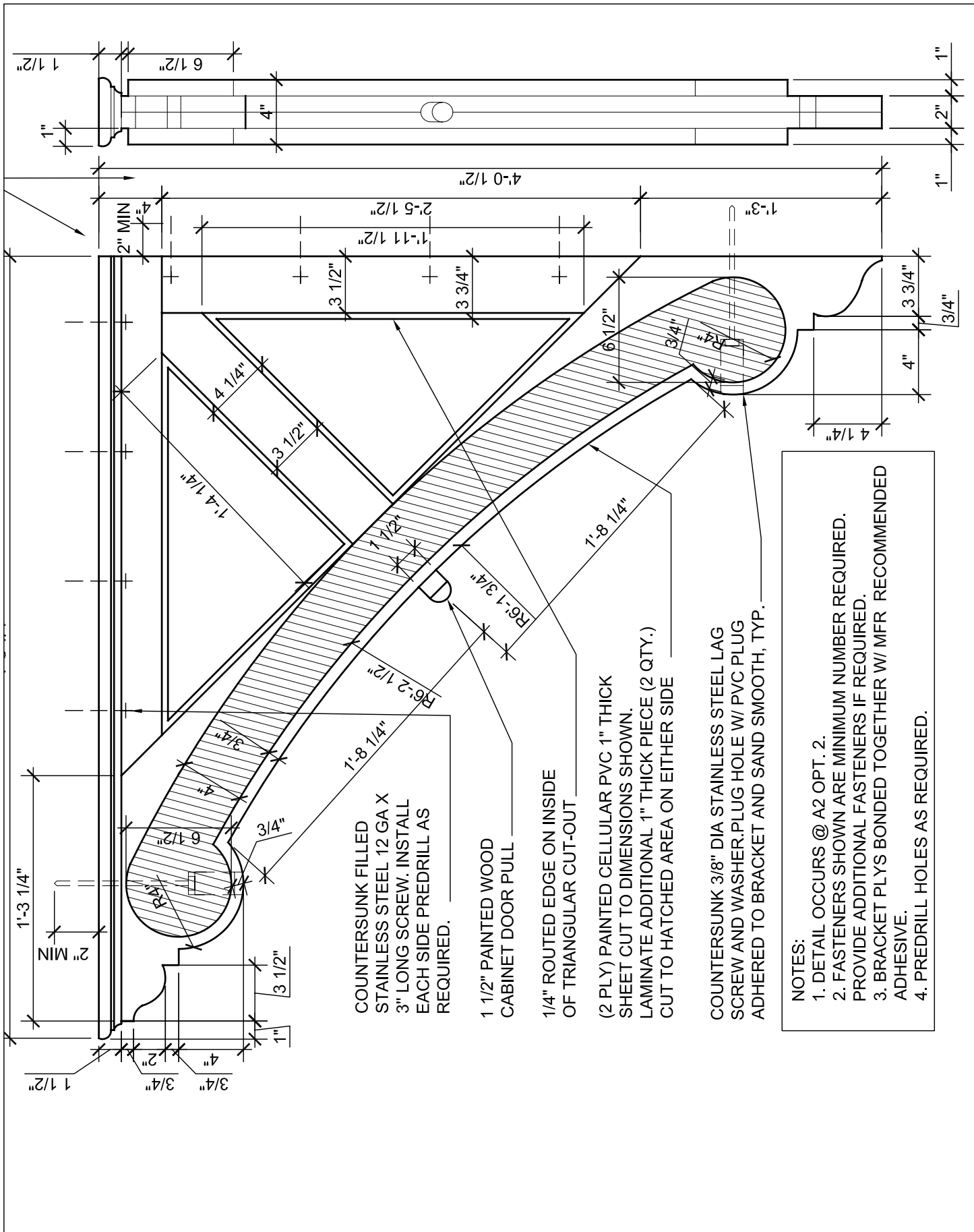
(3 PLY) PAINTED CELLULAR PVC 1" THICK
 SHEET CUT TO DIMENSIONS SHOWN.
 TRIANGLE CUTOUTS ON ONE OUTSIDE PLY
 ONLY EACH SIDE TO RECEIVE FYPON PIECE.

- NOTES:
1. DETAIL OCCURS @ A1 OPT. 2.
 2. FASTENERS SHOWN ARE MINIMUM NUMBER REQUIRED. PROVIDE ADDITIONAL FASTENERS IF REQUIRED.
 3. BRACKET PLYS BONDED TOGETHER W/ MFR RECOMMENDED ADHESIVE.
 4. PREDRILL HOLES AS REQUIRED.

	MWA JOB #: 200807	TREME/LAFITTE AND TULANE GRAVIER HOME	DATE: 10/14/08
	REVISION: -	BUILDING PLAN NEW ORLEANS, LOUISIANA	SCALE: 1 1/2" - 1'-0"
BRACKET ELEVATION TYPE 2			A520-171



	MWA JOB #: 200807	TREME/LAFITTE AND TULANE GRAVIER HOME	DATE: 10/14/08
	REVISION: - -	BUILDING PLAN NEW ORLEANS, LOUISIANA	SCALE: 1 1/2" - 1'-0"
BRACKET ELEVATION TYPE 3			A520-172



COUNTERSUNK FILLED
STAINLESS STEEL 12 GA X
3" LONG SCREW. INSTALL
EACH SIDE PREDRILL AS
REQUIRED.

1 1/2" PAINTED WOOD
CABINET DOOR PULL

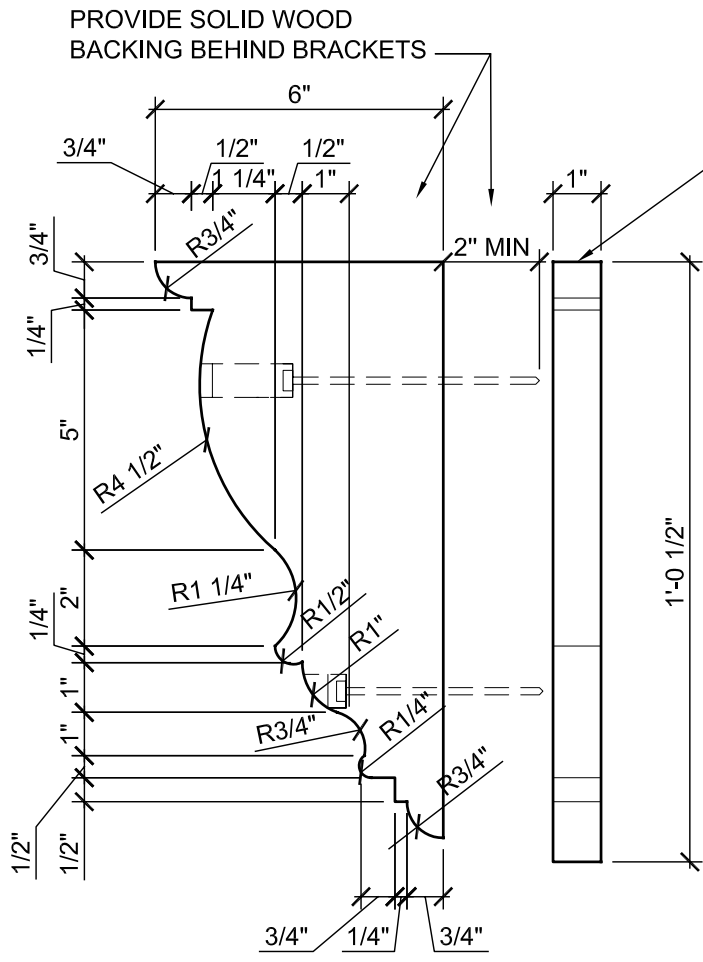
1/4" ROUTED EDGE ON INSIDE
OF TRIANGULAR CUT-OUT

(2 PLY) PAINTED CELLULAR PVC 1" THICK
SHEET CUT TO DIMENSIONS SHOWN.
LAMINATE ADDITIONAL 1" THICK PIECE (2 QTY.)
CUT TO HATCHED AREA ON EITHER SIDE

COUNTERSUNK 3/8" DIA STAINLESS STEEL LAG
SCREW AND WASHER. PLUG HOLE W/ PVC PLUG
ADHERED TO BRACKET AND SAND SMOOTH, TYP.

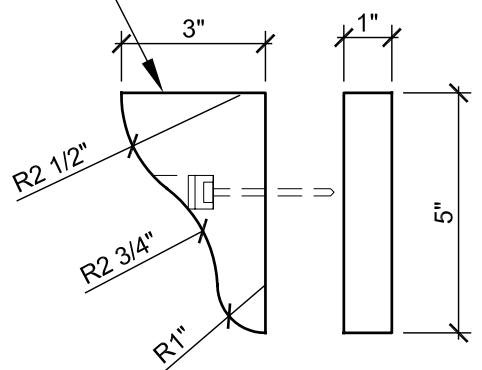
- NOTES:
1. DETAIL OCCURS @ A2 OPT. 2.
 2. FASTENERS SHOWN ARE MINIMUM NUMBER REQUIRED. PROVIDE ADDITIONAL FASTENERS IF REQUIRED.
 3. BRACKET PLYS BONDED TOGETHER W/ MFR RECOMMENDED ADHESIVE.
 4. PREDRILL HOLES AS REQUIRED.

	MWA JOB #: 200807	TREME/LAFITTE AND TULANE GRAVIER HOME	DATE: 10/14/08
	REVISION: -	BUILDING PLAN NEW ORLEANS, LOUISIANA	SCALE: 1 1/2" - 1'-0"
BRACKET ELEVATION TYPE 4			A520-173



BRACKET TYPE 5

PAINTED CELLULAR PVC 1" THICK SHEET CUT TO DIMENSIONS SHOWN



BRACKET TYPE 6

- NOTES:**
1. DETAIL OCCURS AT B1 OPT. 1
 2. ADHERE TO PVC TRIM BOARD WHERE COMPARIBLE MATERIAL OCCURE.
 3. FASTENERS SHOWN ARE MINIMUM NUMBER REQUIRED. PROVIDE ADDITIONAL FASTENERS IF REQUIRED.
 3. BRACKET PLYS BONDED TOGETHER W/ MFR RECOMMENDED ADHESIVE.
 4. PREDRILL HOLES AS REQUIRED.



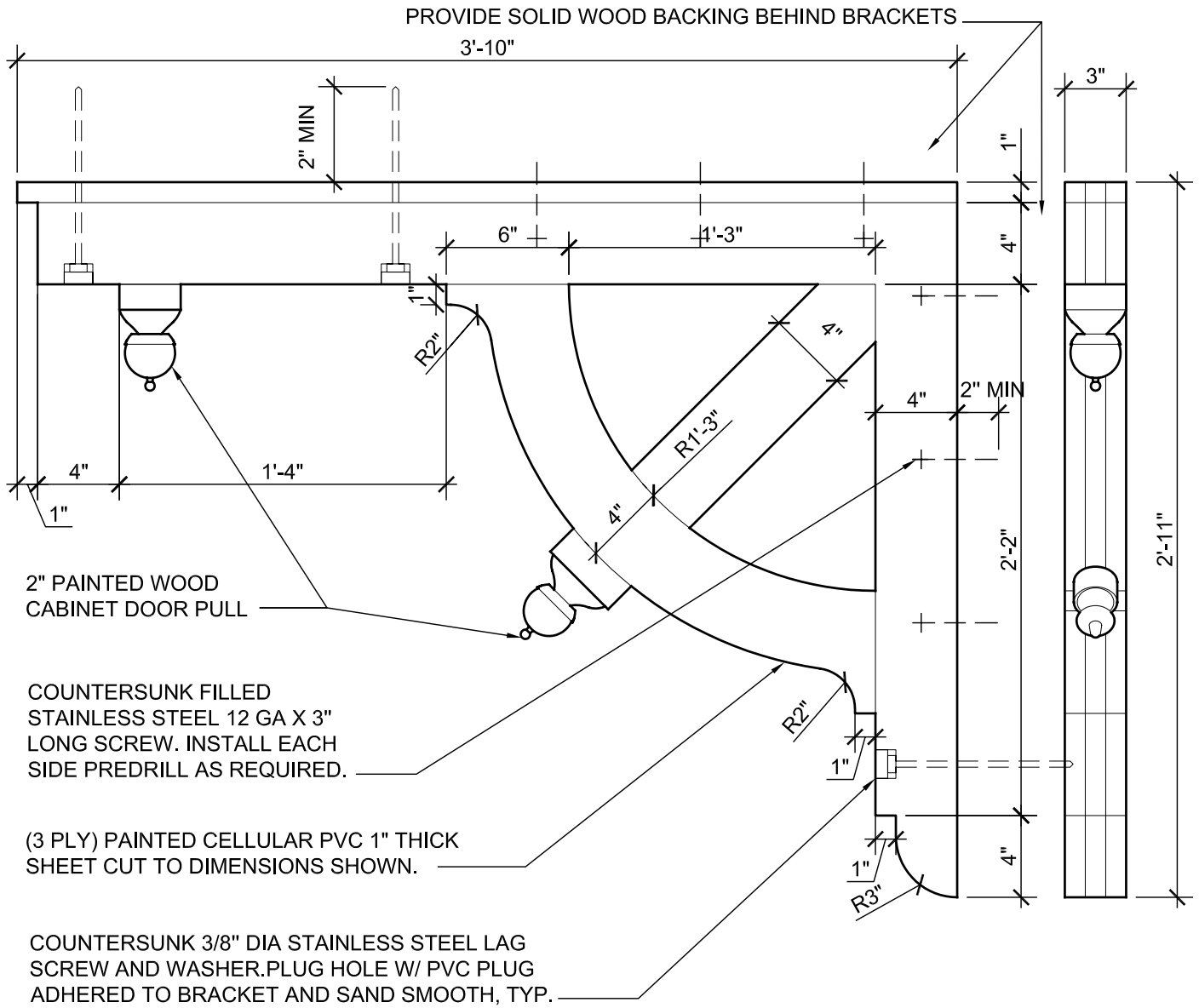
MWA JOB #:	200807
REVISION:	-

TREME/LAFITTE AND TULANE GRAVIER HOME
 BUILDING PLAN
 NEW ORLEANS, LOUISIANA


DATE: 10/14/08
 SCALE: 3" = 1'-0"

BRACKET ELEVATION TYPE 5 & 6

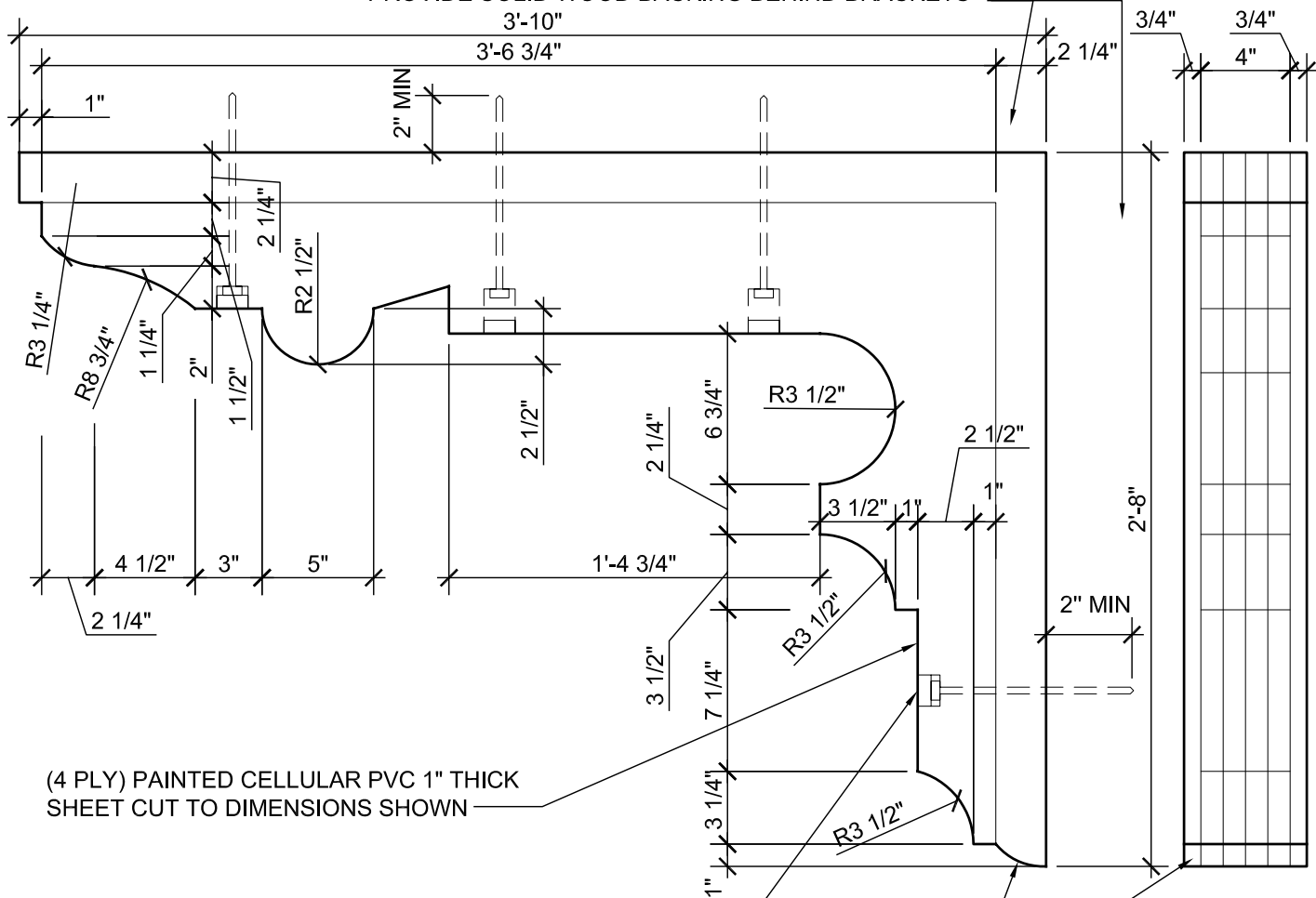
A520-174



- NOTES:
1. DETAIL OCCURS @ C1' OPT. 2.
 2. FASTENERS SHOWN ARE MINIMUM NUMBER REQUIRED. PROVIDE ADDITIONAL FASTENERS IF REQUIRED.
 3. BRACKET PLYS BONDED TOGETHER W/ MFR RECOMMENDED ADHESIVE.
 4. PREDRILL HOLES AS REQUIRED.

	MWA JOB #: 200807	TREME/LAFITTE AND TULANE GRAVIER HOME	DATE: 10/14/08
	REVISION: - -	BUILDING PLAN NEW ORLEANS, LOUISIANA	SCALE: 1 1/2" - 1'-0"
BRACKET ELEVATION TYPE 7			A520-175

PROVIDE SOLID WOOD BACKING BEHIND BRACKETS



(4 PLY) PAINTED CELLULAR PVC 1" THICK SHEET CUT TO DIMENSIONS SHOWN

COUNTERSUNK 3/8" DIA STAINLESS STEEL LAG SCREW AND WASHER. PLUG HOLE W/ PVC PLUG ADHERED TO BRACKET AND SAND SMOOTH, TYP.

AT OUTSIDE FACES, PAINTED CELLULAR PVC 3/4" THICK SHEET CUT TO DIMENSIONS SHOWN

NOTES:

1. DETAIL OCCURS @ D2'
2. FASTENERS SHOWN ARE MINIMUM NUMBER REQUIRED. PROVIDE ADDITIONAL FASTENERS IF REQUIRED.
3. BRACKET PLYS BONDED TOGETHER W/ MFR RECOMMENDED ADHESIVE.
4. PREDRILL HOLES AS REQUIRED.



MWA JOB #: 200807

REVISION:
- -

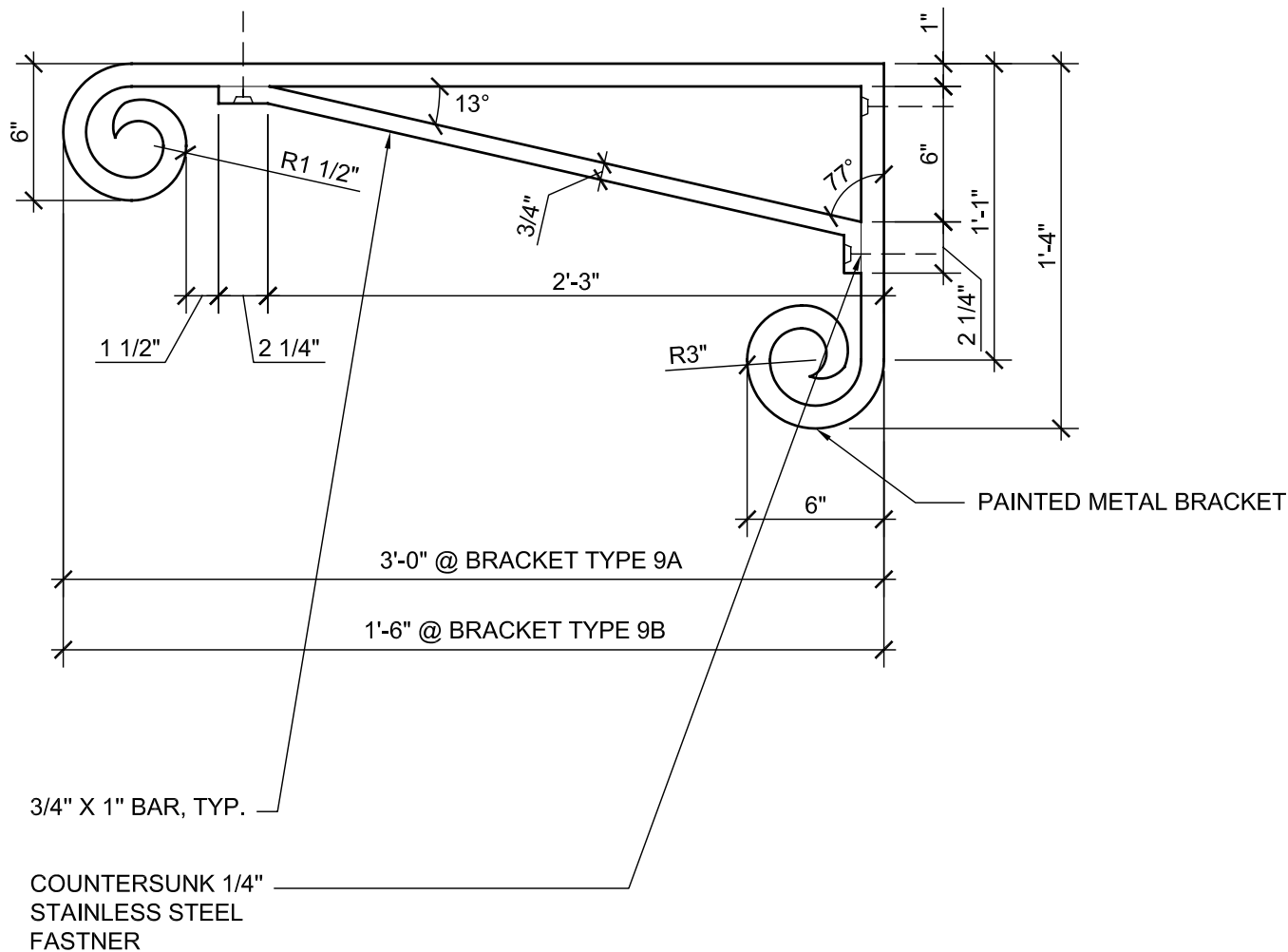
TREME/LAFITTE AND TULANE GRAVIER HOME
BUILDING PLAN
NEW ORLEANS, LOUISIANA

DATE: 10/14/08

SCALE: 1 1/2" - 1'-0"

BRACKET ELEVATION TYPE 8

A520-176



- NOTES:
1. DETAIL OCCURS @ E1 OPT. 1
 2. FASTENERS SHOWN ARE MINIMUM NUMBER REQUIRED. PROVIDE ADDITIONAL FASTENERS IF REQUIRED.



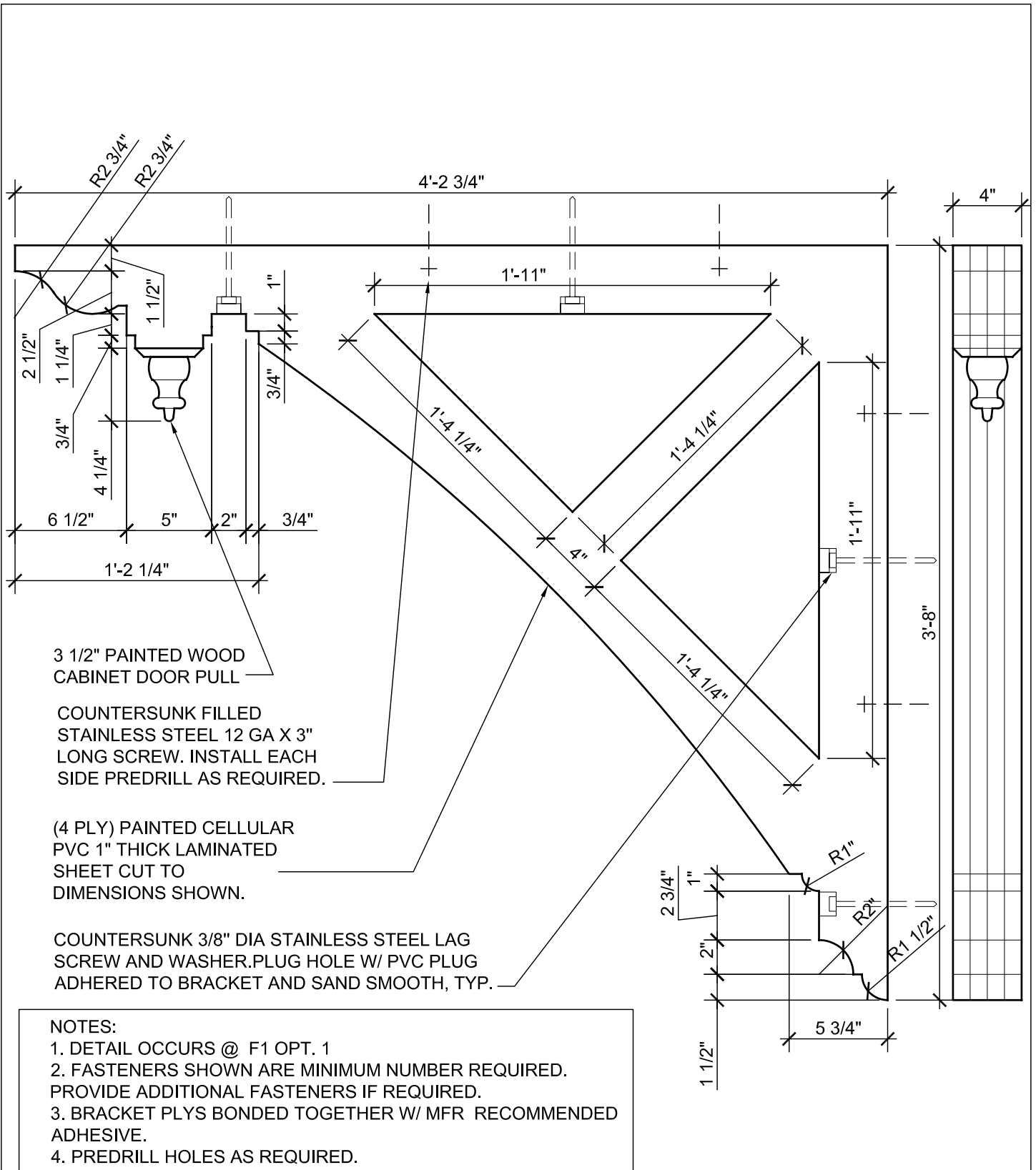
MWA JOB #: 200807
 REVISION: -

TREME/LAFITTE AND TULANE GRAVIER HOME
 BUILDING PLAN
 NEW ORLEANS, LOUISIANA

DATE: 10/14/08
 SCALE: 1 1/2" - 1'-0"

BRACKET ELEVATION
 TYPE 9A & 9B

A520-177




3 1/2" PAINTED WOOD
CABINET DOOR PULL

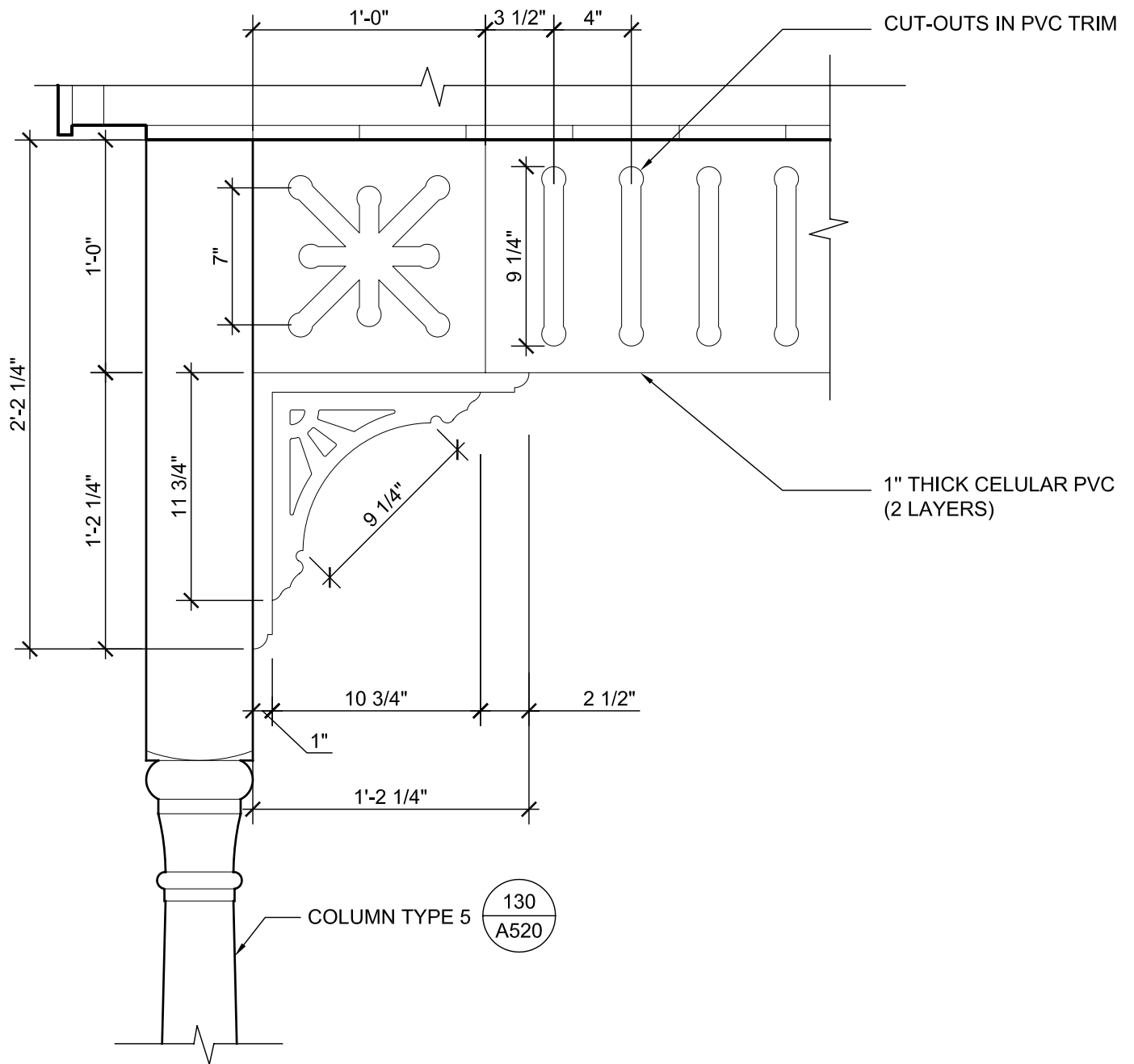
COUNTERSUNK FILLED
STAINLESS STEEL 12 GA X 3"
LONG SCREW. INSTALL EACH
SIDE PREDRILL AS REQUIRED.

(4 PLY) PAINTED CELLULAR
PVC 1" THICK LAMINATED
SHEET CUT TO
DIMENSIONS SHOWN.

COUNTERSUNK 3/8" DIA STAINLESS STEEL LAG
SCREW AND WASHER. PLUG HOLE W/ PVC PLUG
ADHERED TO BRACKET AND SAND SMOOTH, TYP.

- NOTES:
1. DETAIL OCCURS @ F1 OPT. 1
 2. FASTENERS SHOWN ARE MINIMUM NUMBER REQUIRED. PROVIDE ADDITIONAL FASTENERS IF REQUIRED.
 3. BRACKET PLYS BONDED TOGETHER W/ MFR RECOMMENDED ADHESIVE.
 4. PREDRILL HOLES AS REQUIRED.

	MWA JOB #: 200807	TREME/LAFITTE AND TULANE GRAVIER HOME	DATE: 10/14/08
	REVISION: -	BUILDING PLAN NEW ORLEANS, LOUISIANA	SCALE: 1 1/2" - 1'-0"
BRACKET ELEVATION TYPE 10			A520-178



NOTE: DETAIL OCCURS @
F1 OPT. 2



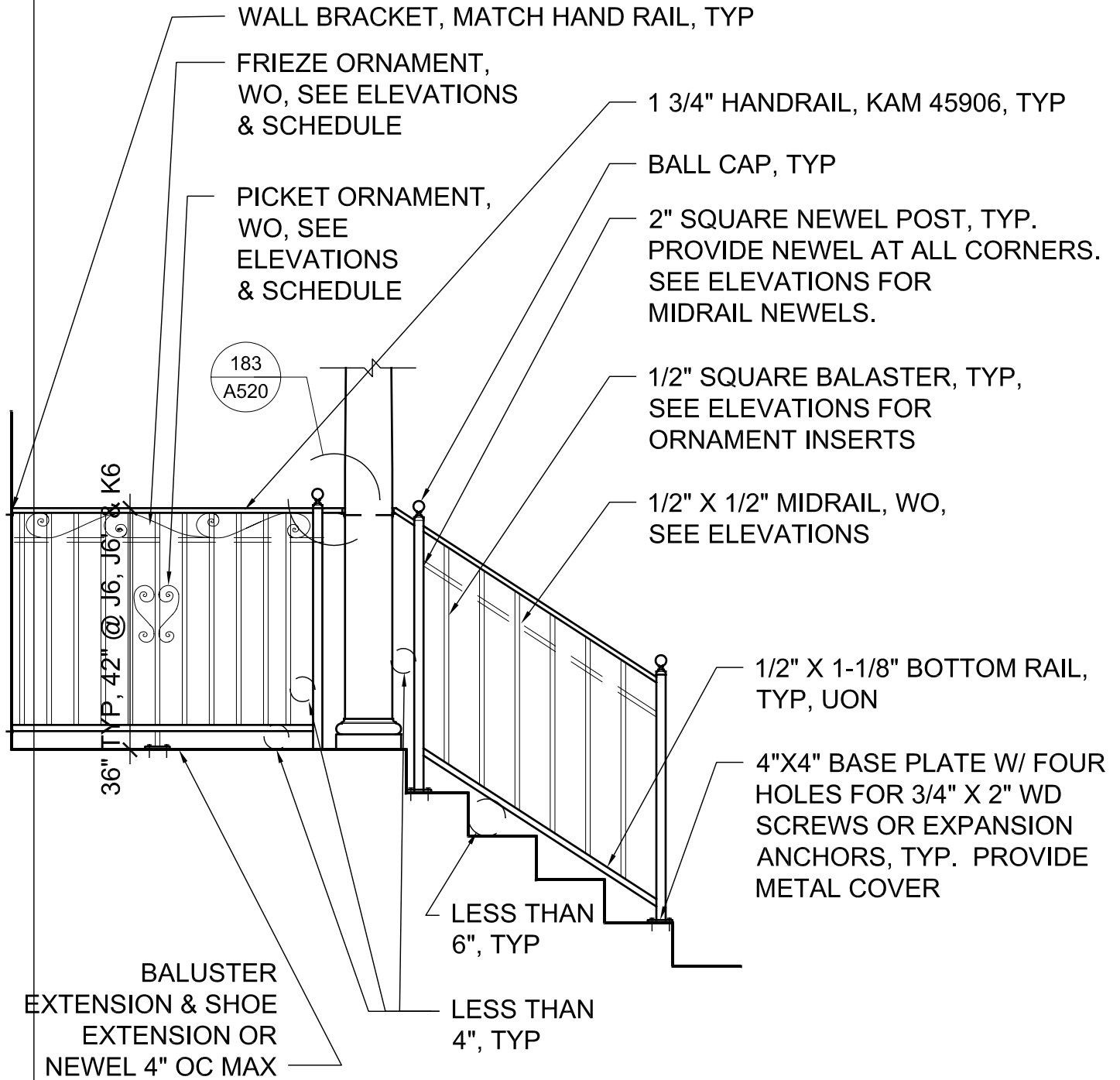
MWA JOB #: 200807
REVISION: -

TREME/LAFITTE AND TULANE GRAVIER HOME
BUILDING PLAN
NEW ORLEANS, LOUISIANA

DATE: 10/14/08
SCALE: 1 1/2" - 1'-0"

BRACKET ELEVATION TYPE 11

A520-179



MWA JOB #: 200807
 REVISION: -

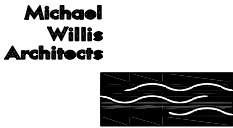
TREME/LAFITTE AND TULANE GRAVIER HOME
 BUILDING PLAN
 NEW ORLEANS, LOUISIANA

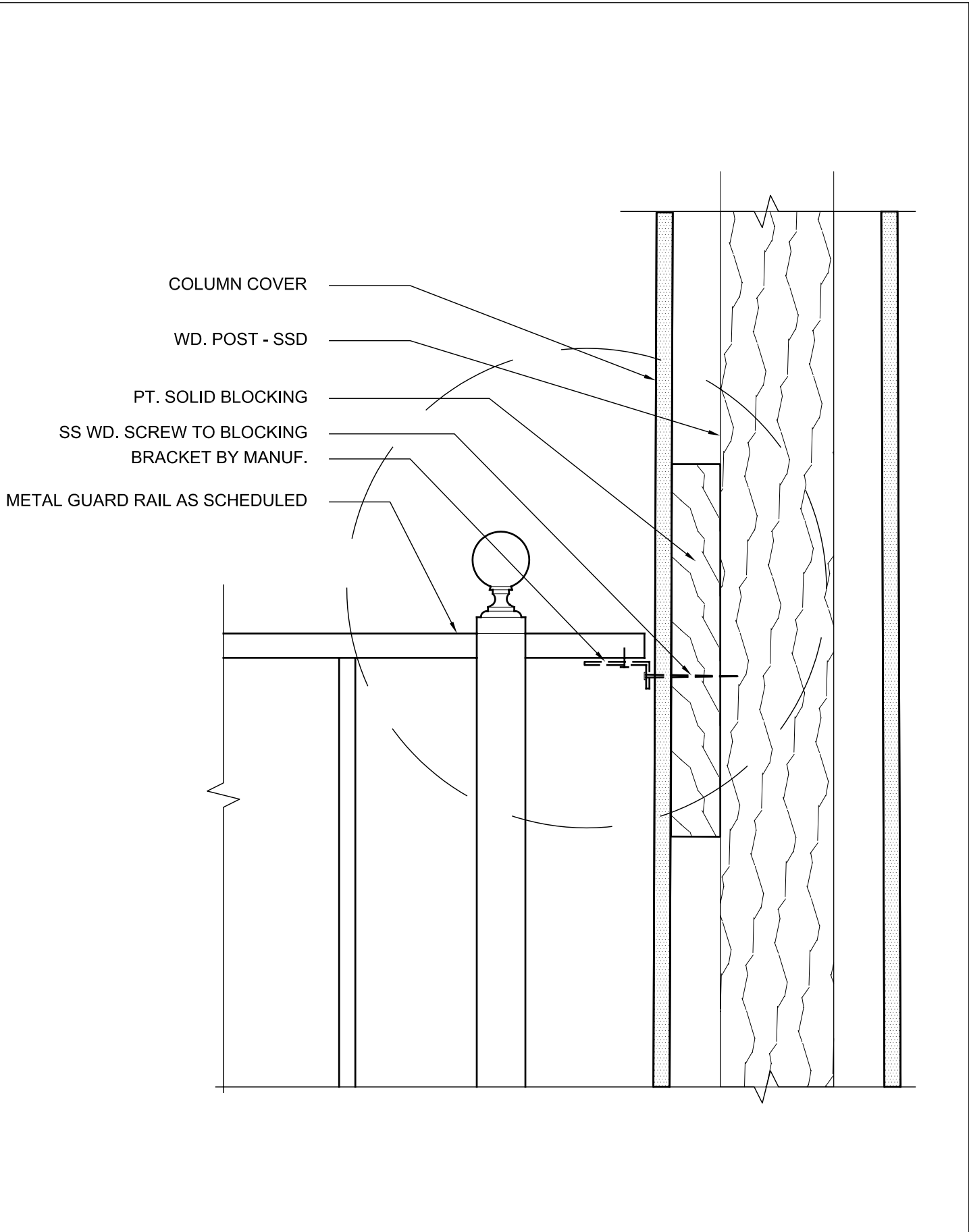
DATE: 10/14/08
 SCALE: 1/2" = 1'-0"

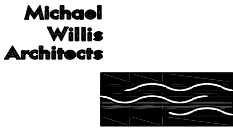
METAL GUARD HANDRAIL TYP

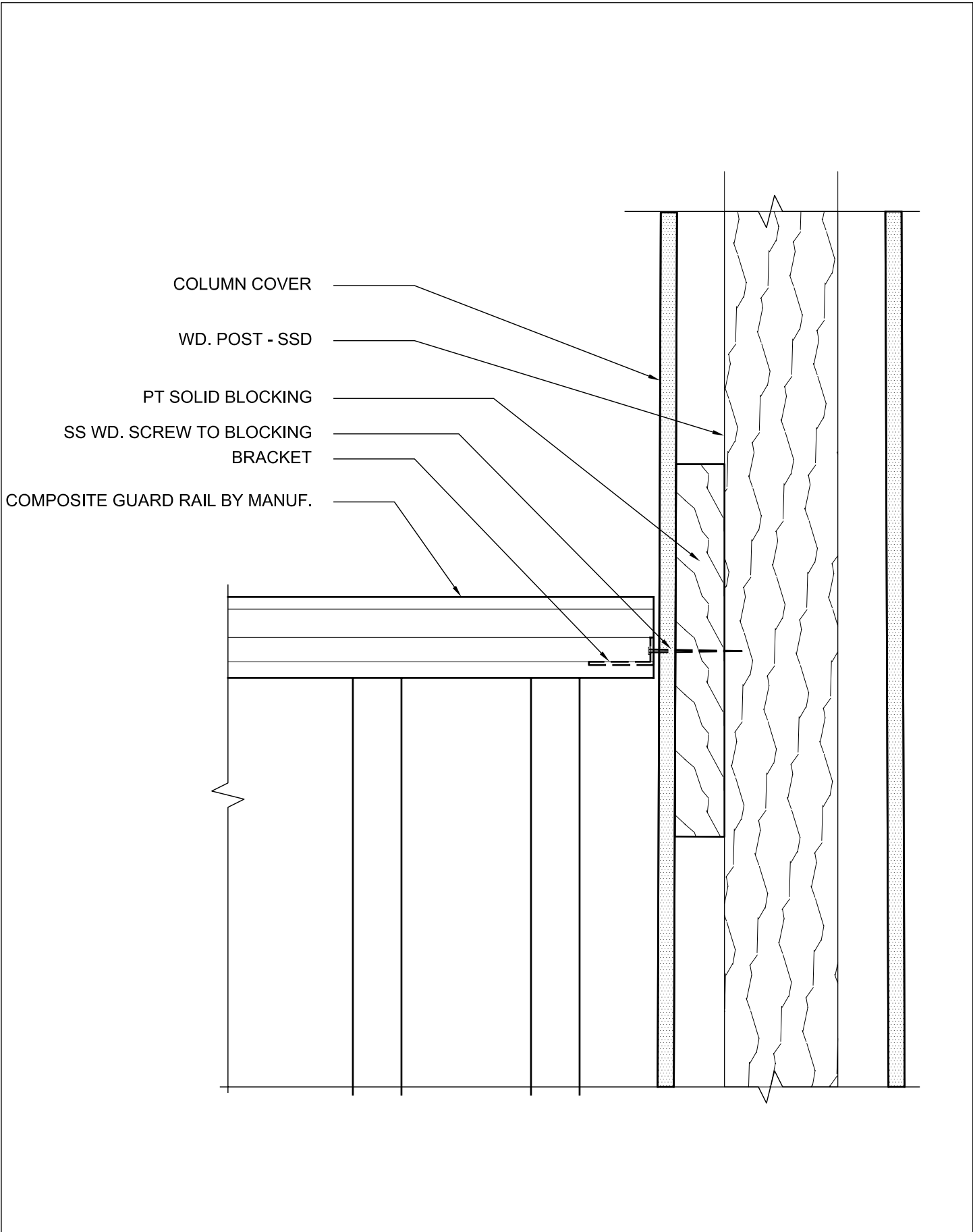
A520-181

METAL RAIL SCHEDULES			
KAM : King Architectural Metals www.kingmetals.com			
House	Picket	Frieze with mid rail	Notes
A1 Option 1	no	no	Same as detail
A1 Option 2	no	no	Same as detail
A2 Option 1	KAM 45-300 every 3rd picket	KAM 45-18 continuous	See elevation
A2 Option 2	no	no	Same as detail
B1 Option 1	KAM 45-7152 continuous series	3 15/16 rings, continuous series, KAM 13-31043-353	See elevations
B1 Option 2	NA	NA	Composite rail, see detail 191
C1 Option 1	no	no	Same as detail
C1 Option 2	no	no	Same as detail
C1' Option 1	no	no	Same as detail
C1' Option 2	no	no	Same as detail
D1	no	no	Same as detail
D2	no	no	Rail shortened for wing wall at stair
D2'	no	no	Rail shortened for wing wall at stair. Balcony rail extended to posts and header. See elevations
E1 Option 1	KAM 45-9627, see elevations	3 15/16 rings, continuous series, KAM 13-31043-353	Rail shortened for wing wall at stair.
E1 Option 2	no	no	Rail shortened for wing wall at stair.
F1 Option 1	no	no	Same as detail
F1 Option 2	NA	NA	Composite rail, see detail 191
F1'	no	no	Same as detail
G2	no	KAM 45-15-X	See elevations
J6	no	yes, without frieze	See elevations
J6'	no	yes, without frieze	See elevations
K6	Balusters cross flush with medallion at crossing: KAM 8-5956	no	See elevations

	MWA JOB #: 200807	TREME/LAFITTE AND TULANE GRAVIER HOME BUILDING PLAN NEW ORLEANS, LOUISIANA	DATE: 10/14/08
	REVISION: - -		SCALE: NTS
		METAL RAIL SCHEDULE	A520-182



	MWA JOB #: 200807	TREME/LAFITTE AND TULANE GRAVIER HOME BUILDING PLAN NEW ORLEANS, LOUISIANA	DATE: 10/14/08
	REVISION: -		SCALE: ViewportScale
		METAL RAIL CONNECTION	A520-183



MWA JOB #: 200807

REVISION:
- -

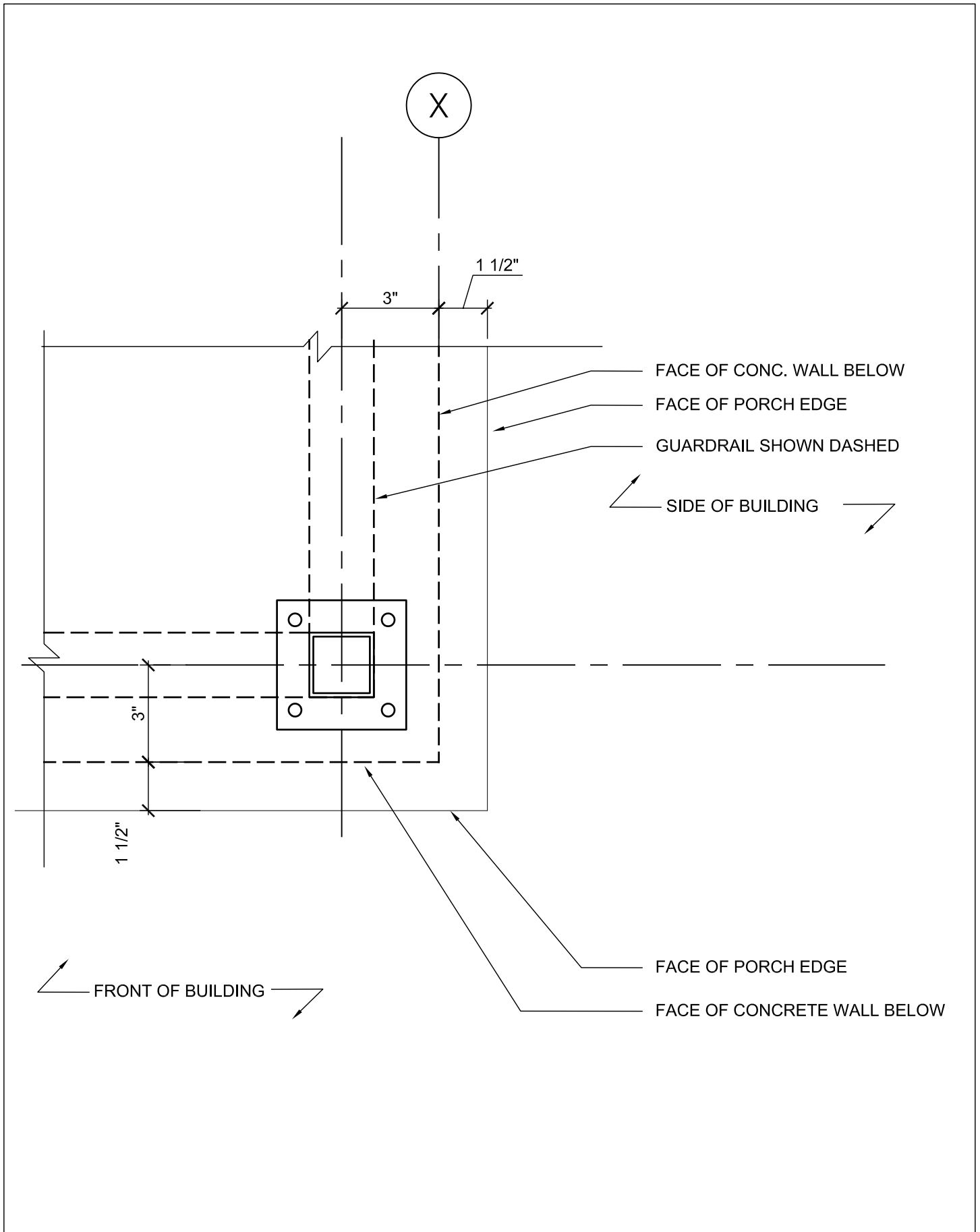
TREME/LAFITTE AND TULANE GRAVIER HOME
BUILDING PLAN
NEW ORLEANS, LOUISIANA

DATE: 10/14/08

SCALE: ViewportScale

COMPOSITE RAIL CONNECTION

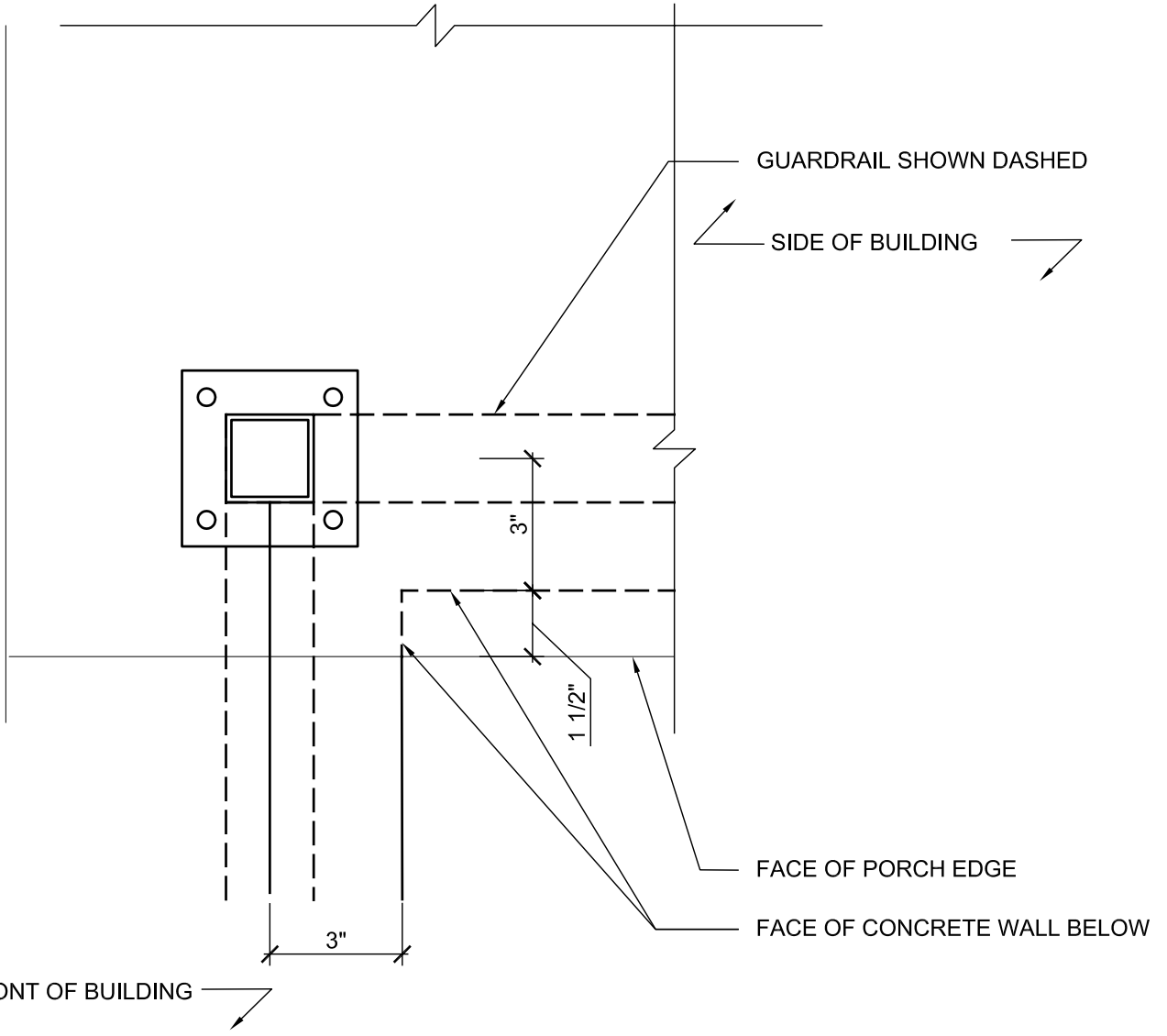
A520-184



MWA JOB #: 200807
 REVISION:
 -

TREME/LAFITTE AND TULANE GRAVIER HOME
 BUILDING PLAN
 NEW ORLEANS, LOUISIANA
 PLAN DETAIL OF RAILING @
 PORCH

DATE: 10/14/08
 SCALE: 3"=1'-0"
 A520 186



**Michael
Willis
Architects**



MWA JOB #: 200807

REVISION:
- -

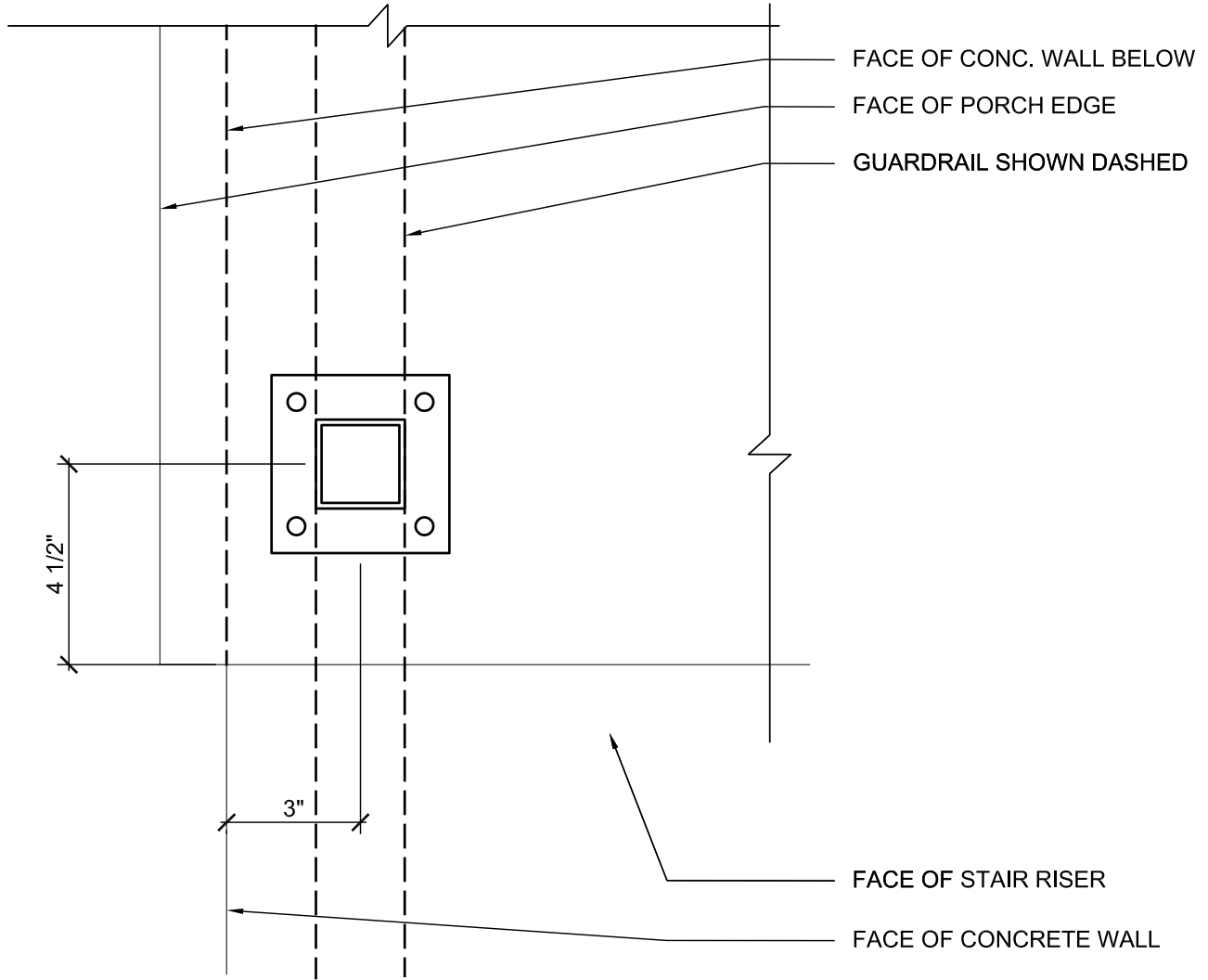
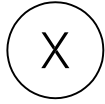
TREME/LAFITTE AND TULANE GRAVIER HOME
BUILDING PLAN
NEW ORLEANS, LOUISIANA

**PLAN DETAIL OF RAILING @
PORCH**

DATE: 10/14/08

SCALE: 3"=1'-0"

A520 186A



MWA JOB #: 200807

REVISION:
- -

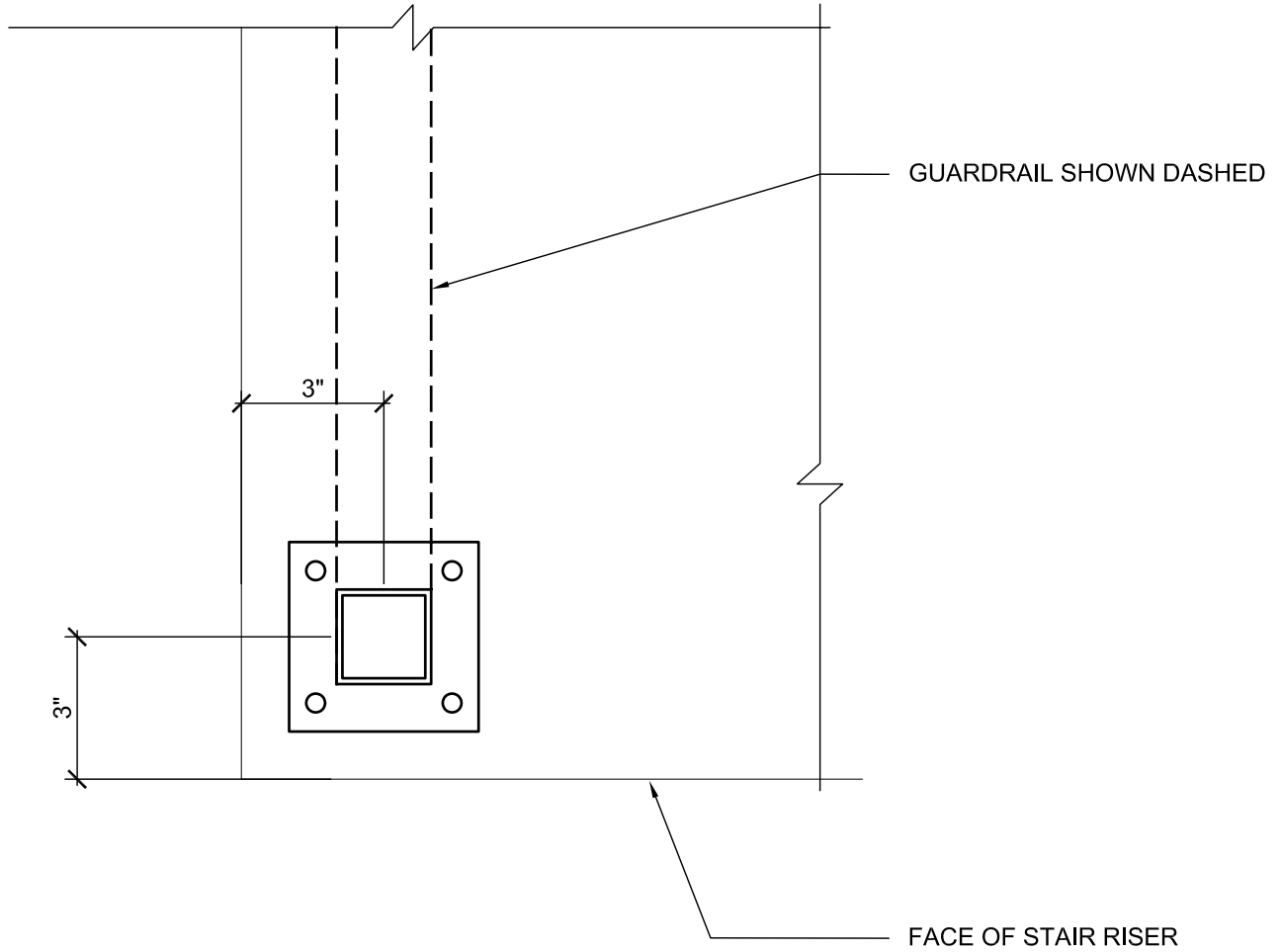
TREME/LAFITTE AND TULANE GRAVIER HOME
BUILDING PLAN
NEW ORLEANS, LOUISIANA

DATE: 10/14/08

SCALE: 3"=1'-0"

PLAN DETAIL OF RAILING @
PORCH

A520 186B



**Michael
Willis
Architects**



MWA JOB #: 200807

REVISION:
- -

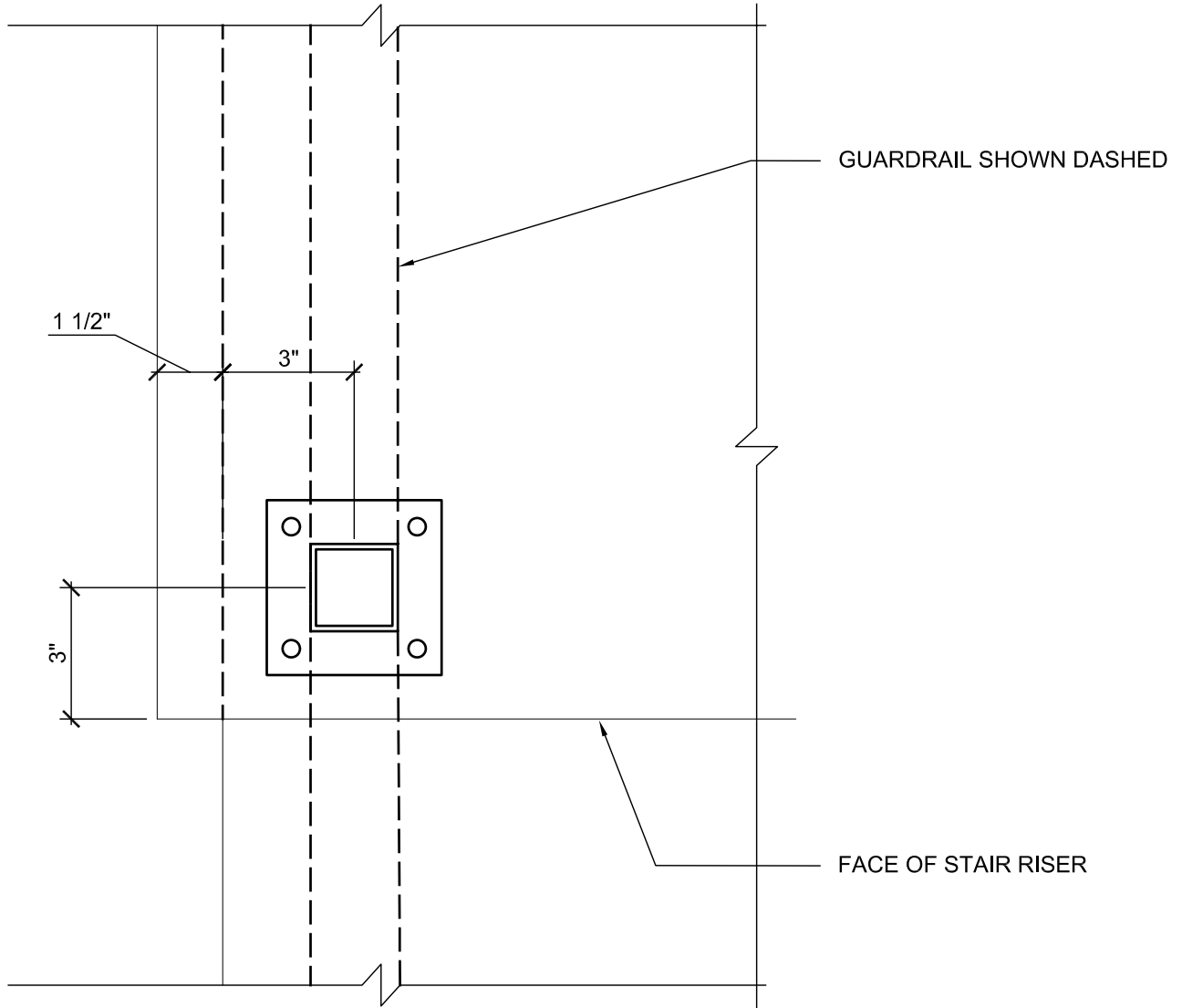
TREME/LAFITTE AND TULANE GRAVIER HOME
BUILDING PLAN
NEW ORLEANS, LOUISIANA

DATE: 10/14/08

SCALE: 3"=1'-0"

PLAN DETAIL OF RAILING @ STAIR

A520 186C



MWA JOB #: 200807

REVISION:
- -

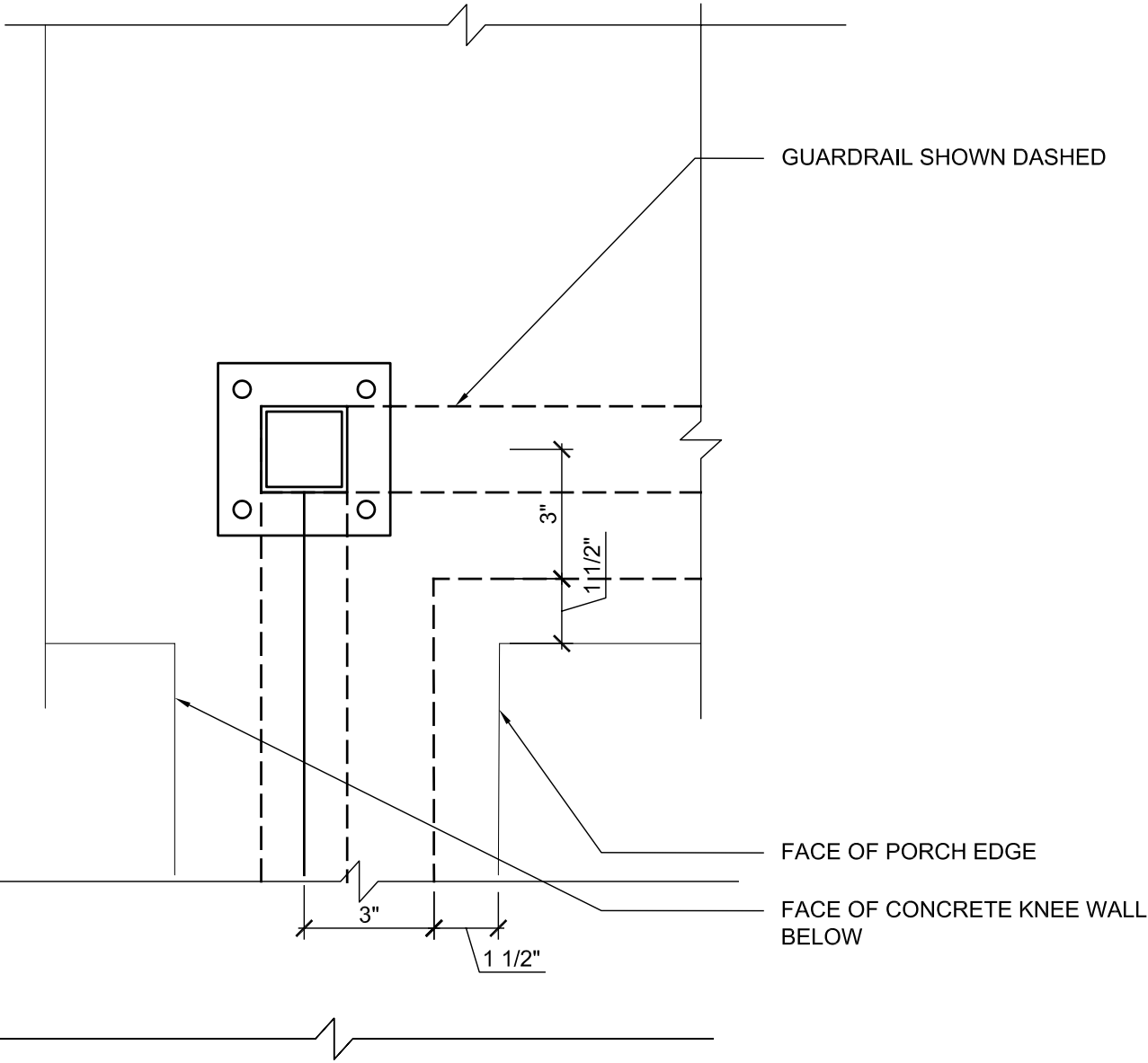
TREME/LAFITTE AND TULANE GRAVIER HOME
BUILDING PLAN
NEW ORLEANS, LOUISIANA

PLAN DETAIL OF RAILING @
PORCH

DATE: 10/14/08

SCALE: 3"=1'-0"

A520 186D



**Michael
Willis
Architects**



MWA JOB #: 200807

REVISION:
- -

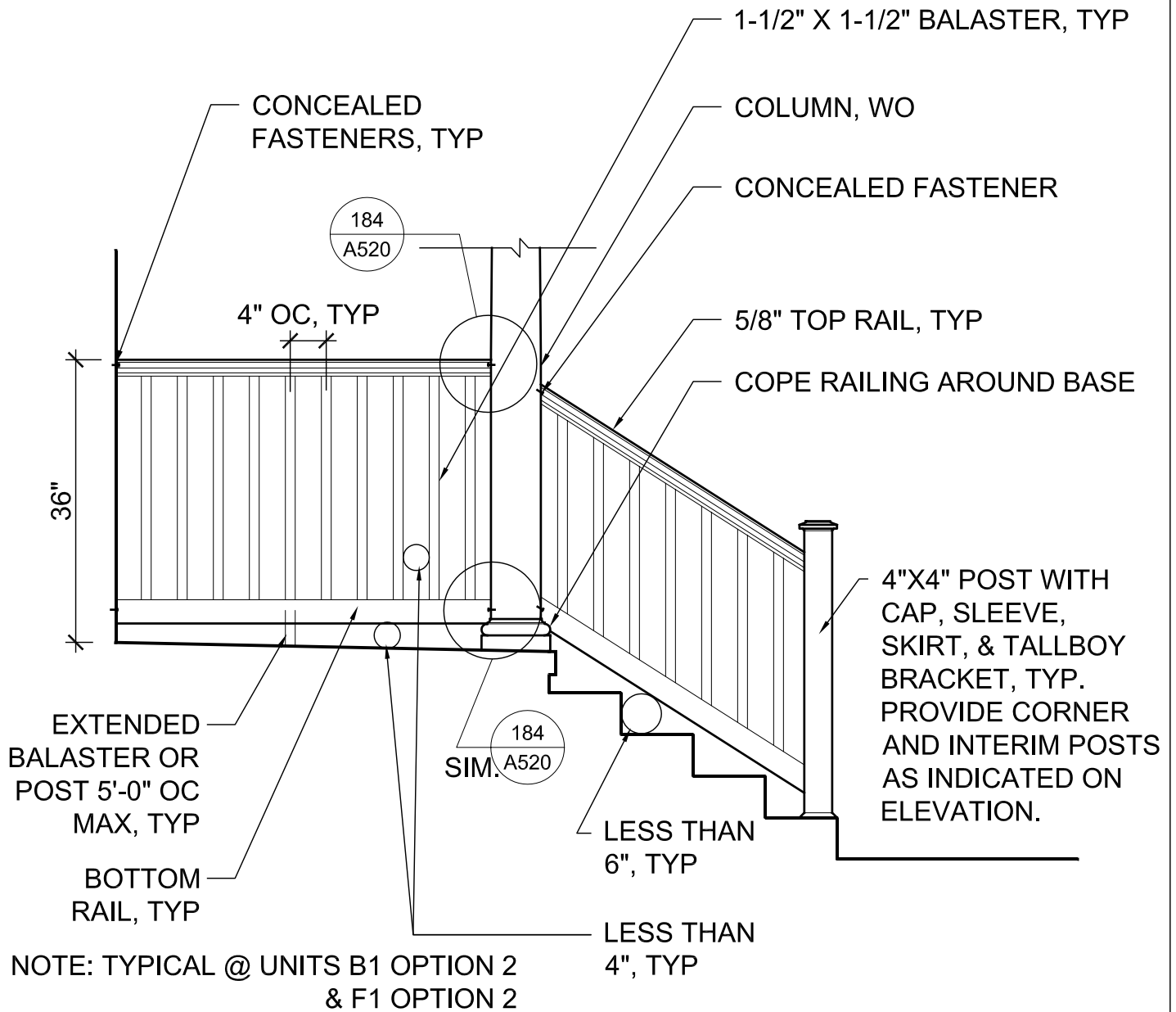
TREME/LAFITTE AND TULANE GRAVIER HOME
BUILDING PLAN
NEW ORLEANS, LOUISIANA

**PLAN DETAIL OF RAILING @
PORCH**

DATE: 10/14/08

SCALE: 3"=1'-0"

A520 187



MWA JOB #: 200807

REVISION: -

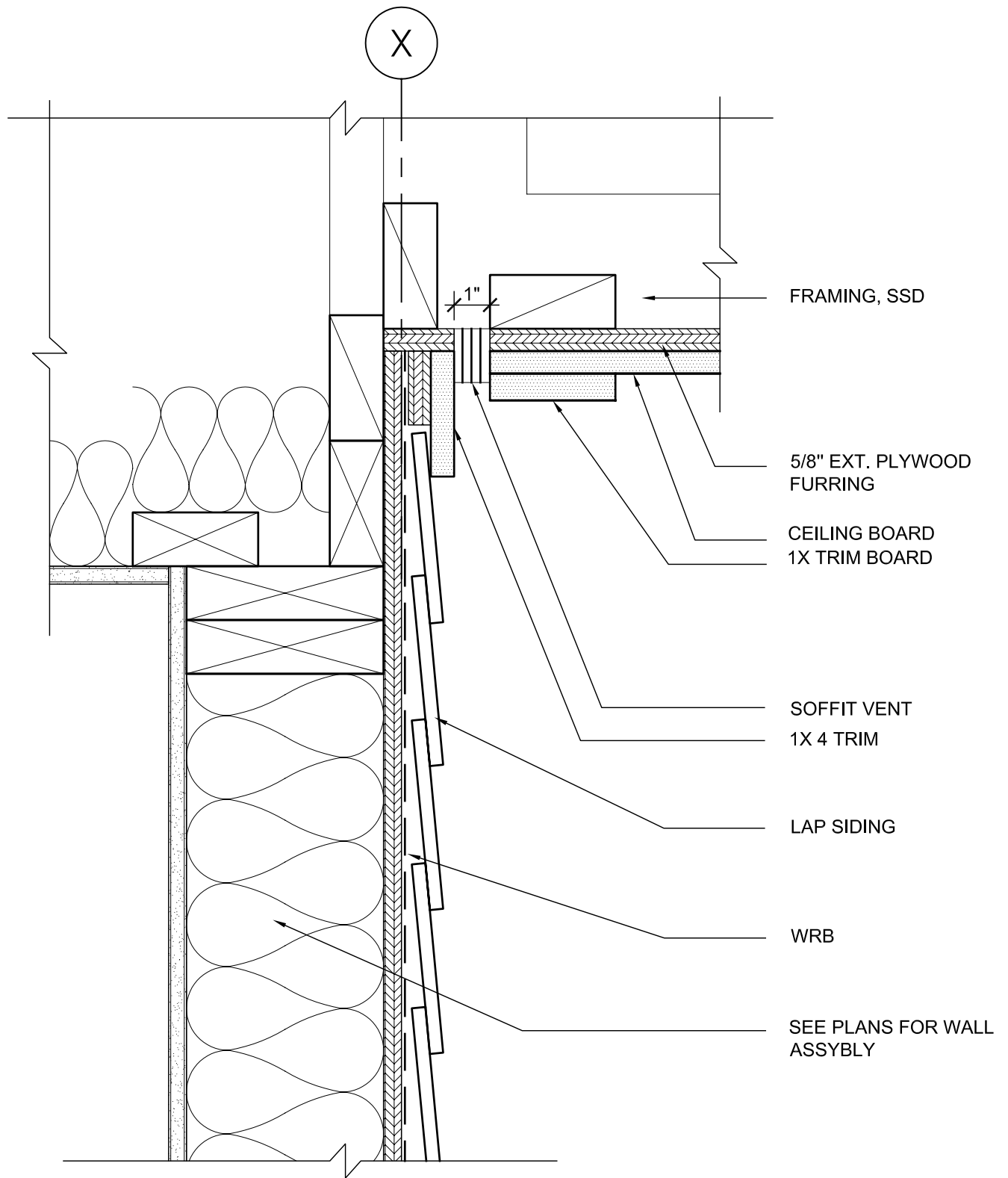
TREME/LAFITTE AND TULANE GRAVIER HOME
BUILDING PLAN
NEW ORLEANS, LOUISIANA

DATE: 10/14/08

SCALE: 1/2" = 1'-0"

COMPOSITE RAIL ELEVATION -
TYP., TYP

A520-191



**Michael
Willis
Architects**



MWA JOB #: 200807

REVISION:
- -

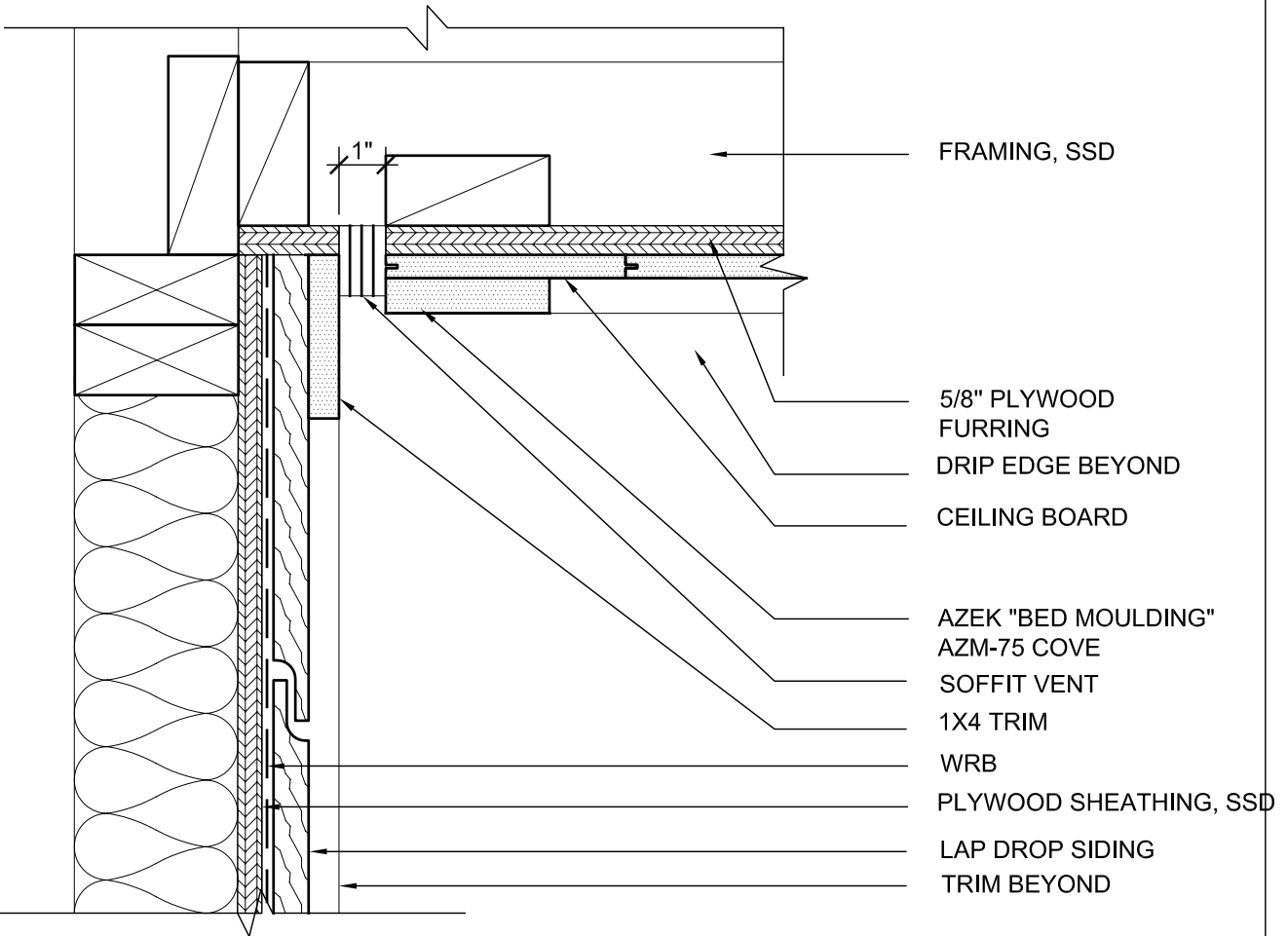
TREME/LAFITTE AND TULANE GRAVIER HOME
BUILDING PLAN
NEW ORLEANS, LOUISIANA

DATE: 10/14/08

SCALE: 3"=1'-0"

SOFFIT VENT AT LAP SIDING

A520-201



MWA JOB #: 200807

REVISION:
- -

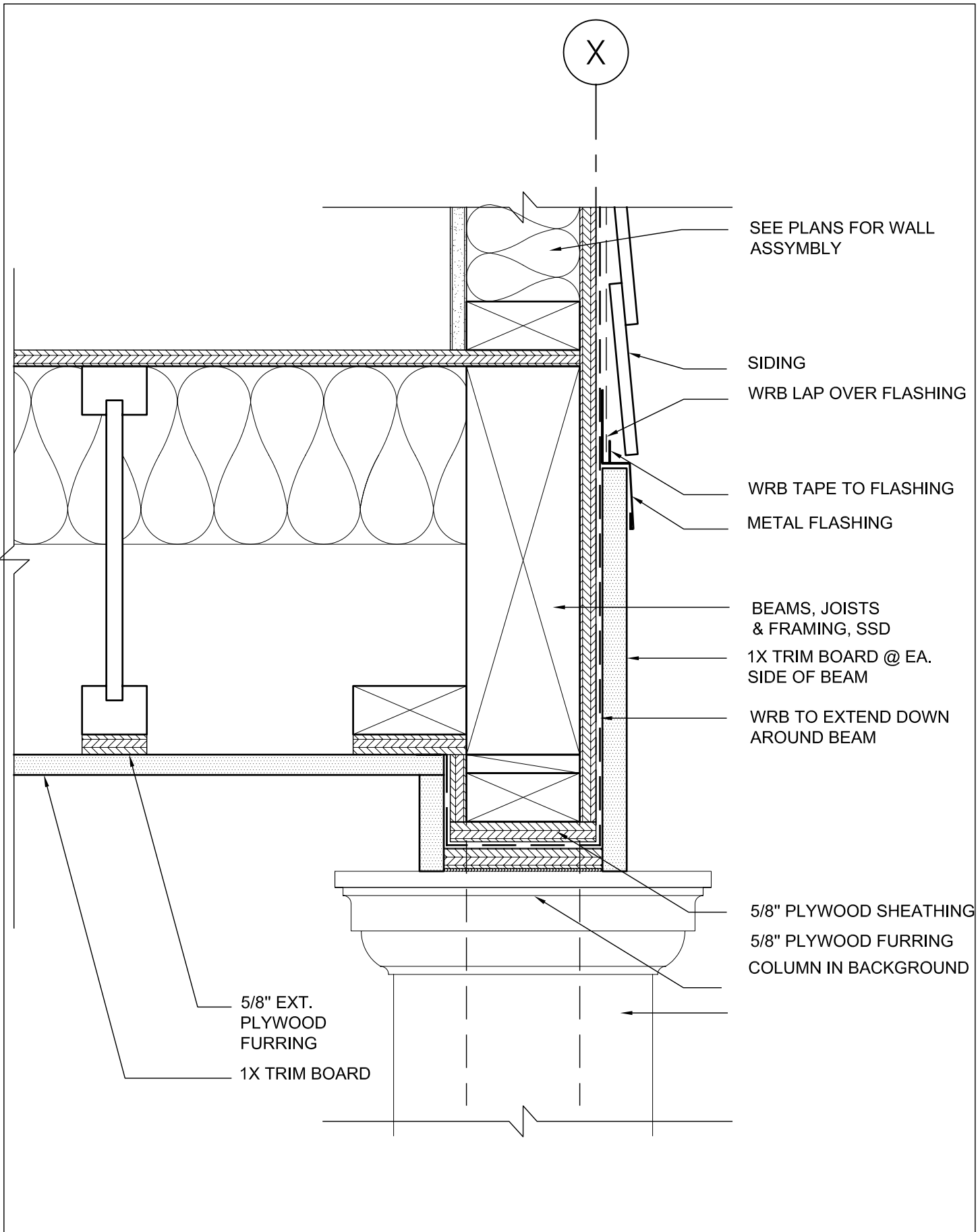
TREME/LAFITTE AND TULANE GRAVIER HOME
BUILDING PLAN
NEW ORLEANS, LOUISIANA

DATE: 10/14/08

SCALE: 3" = 1'-0"

VENTING AT SOFFIT AT DROP
SIDING

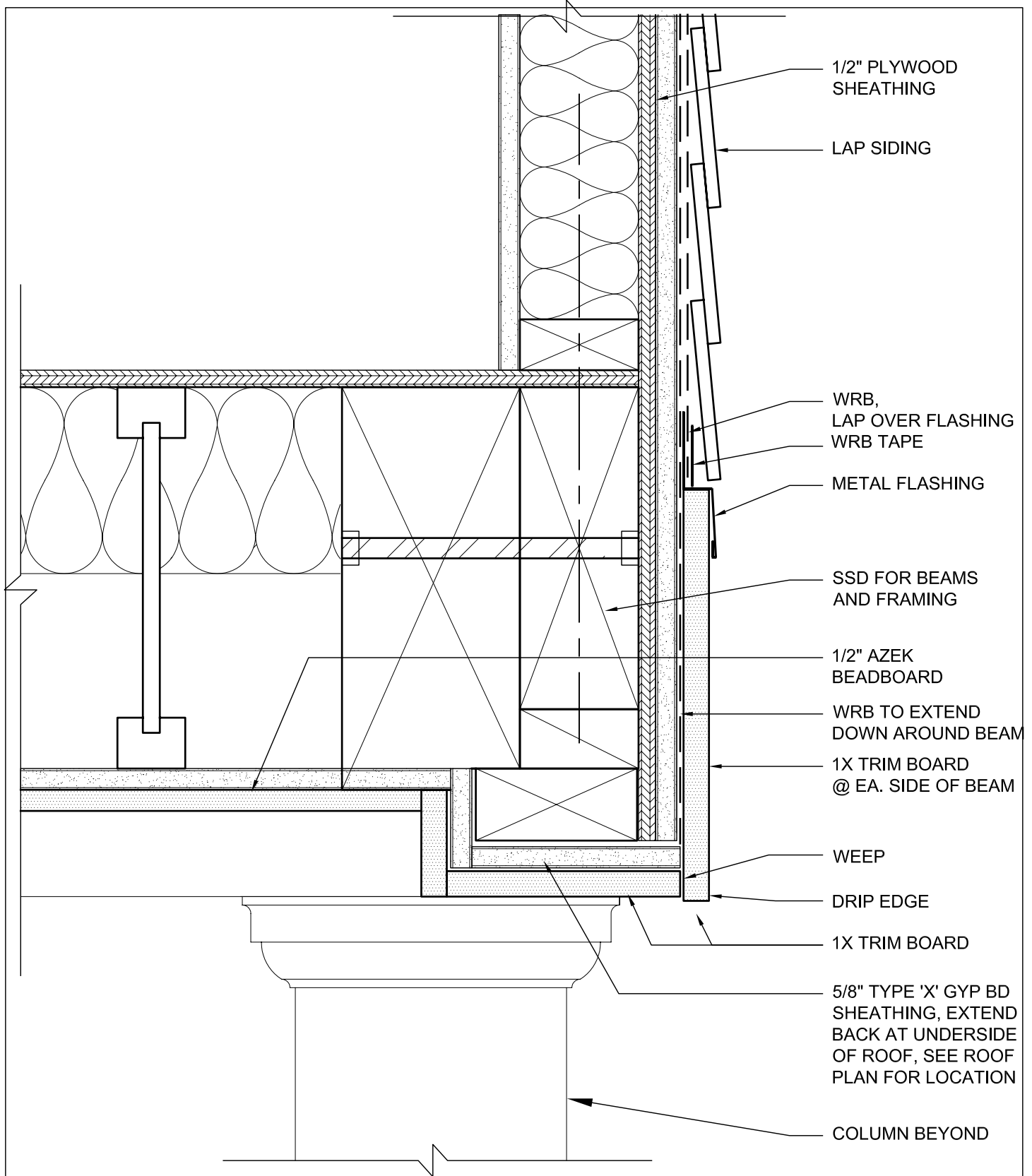
A520-211

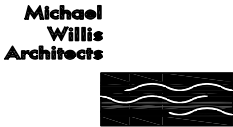


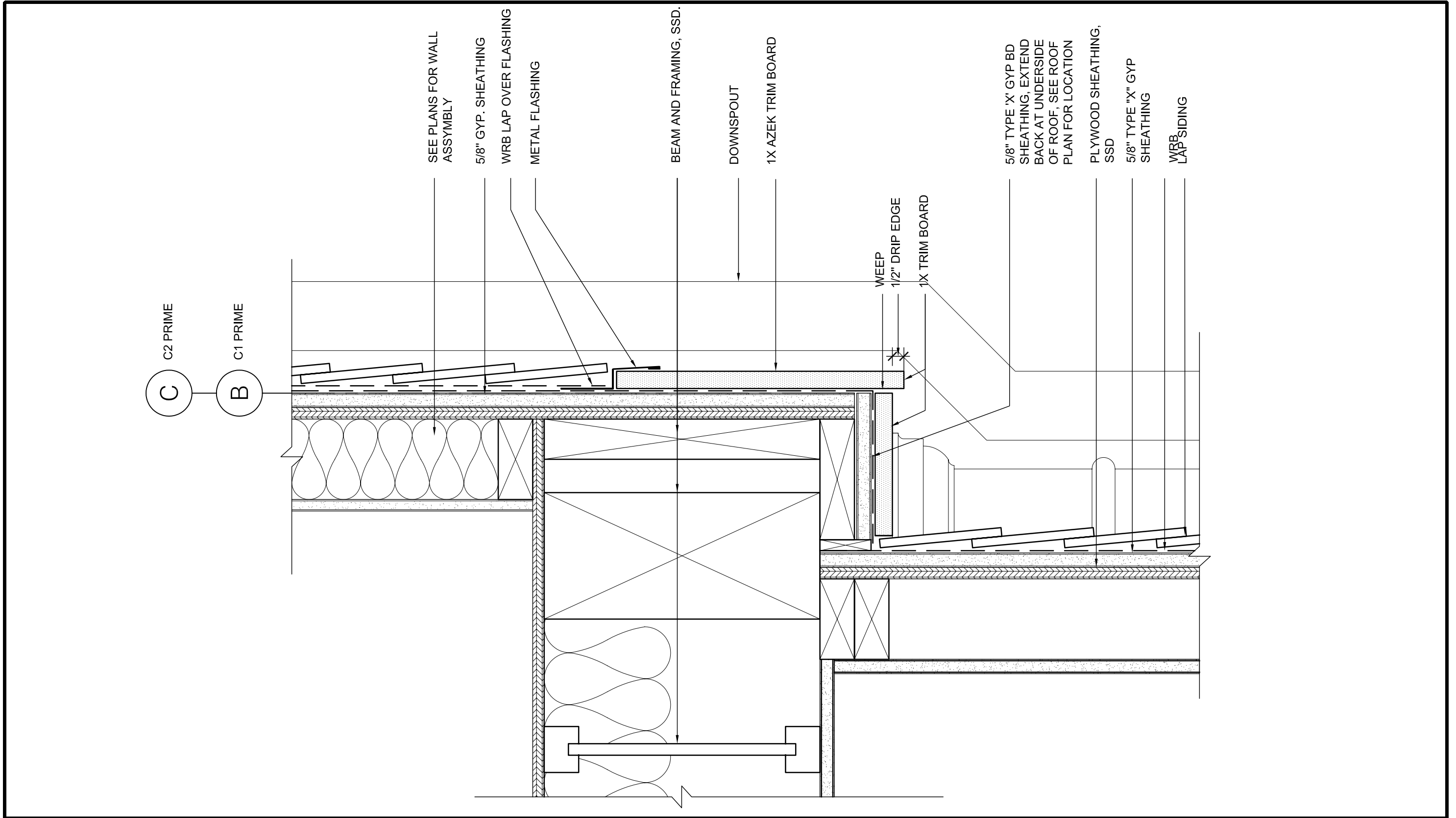
MWA JOB #: 200807
 REVISION: -

TREME/LAFITTE AND TULANE GRAVIER HOME
 BUILDING PLAN
 NEW ORLEANS, LOUISIANA
 COLUMN TO BEAM @ NON-RATED
 WALL

DATE: 10/14/08
 SCALE: 3"=1'-0"
 A520 212



	MWA JOB #: 200807	TREME/LAFITTE AND TULANE GRAVIER HOME	DATE: 10/14/08
	REVISION: -	BUILDING PLAN NEW ORLEANS, LOUISIANA	SCALE: 3"=1'-0"
COLUMN TO BEAM @ 1-HR. SIDEWALL			A520 213



MWA JOB #: 200807
 REVISION

TREME/LAFITTE AND TULANE GRAVIER HOME BUILDING PLAN

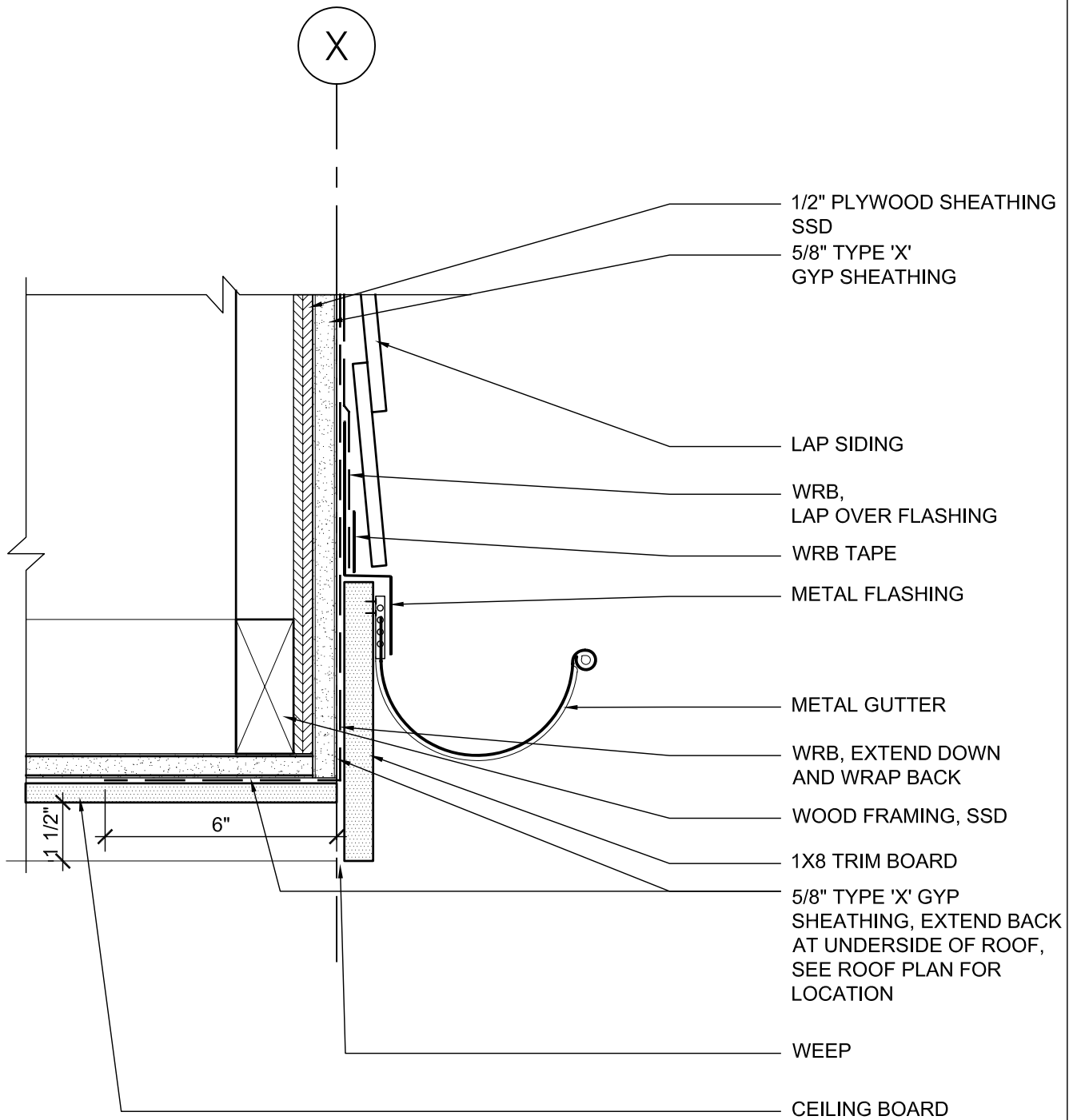
NEW ORLEANS, LOUISIANA

DATE: 10/09/08

SCALE: 3"=1'-0"

TOP OF RECESS @ 1-HR. WALL

A520 214



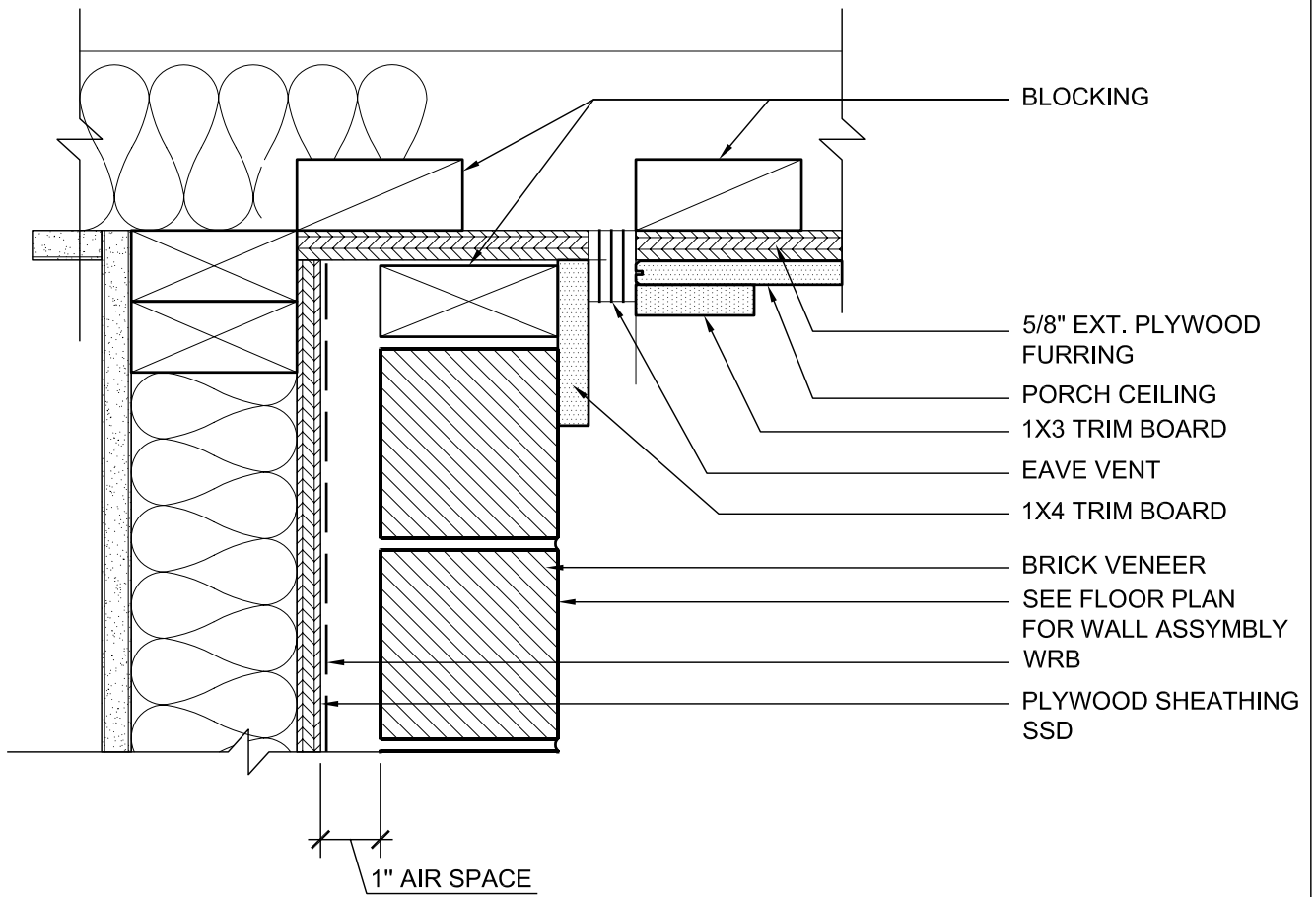
MWA JOB #: 200807
 REVISION: -

TREME/LAFITTE AND TULANE GRAVIER HOME
 BUILDING PLAN
 NEW ORLEANS, LOUISIANA

DATE: 10/14/08
 SCALE: 3"=1'-0"

SIDEWALL @ PORCH ROOF

A520 215



**Michael
Willis
Architects**



MWA JOB #: 200807

REVISION:
- -

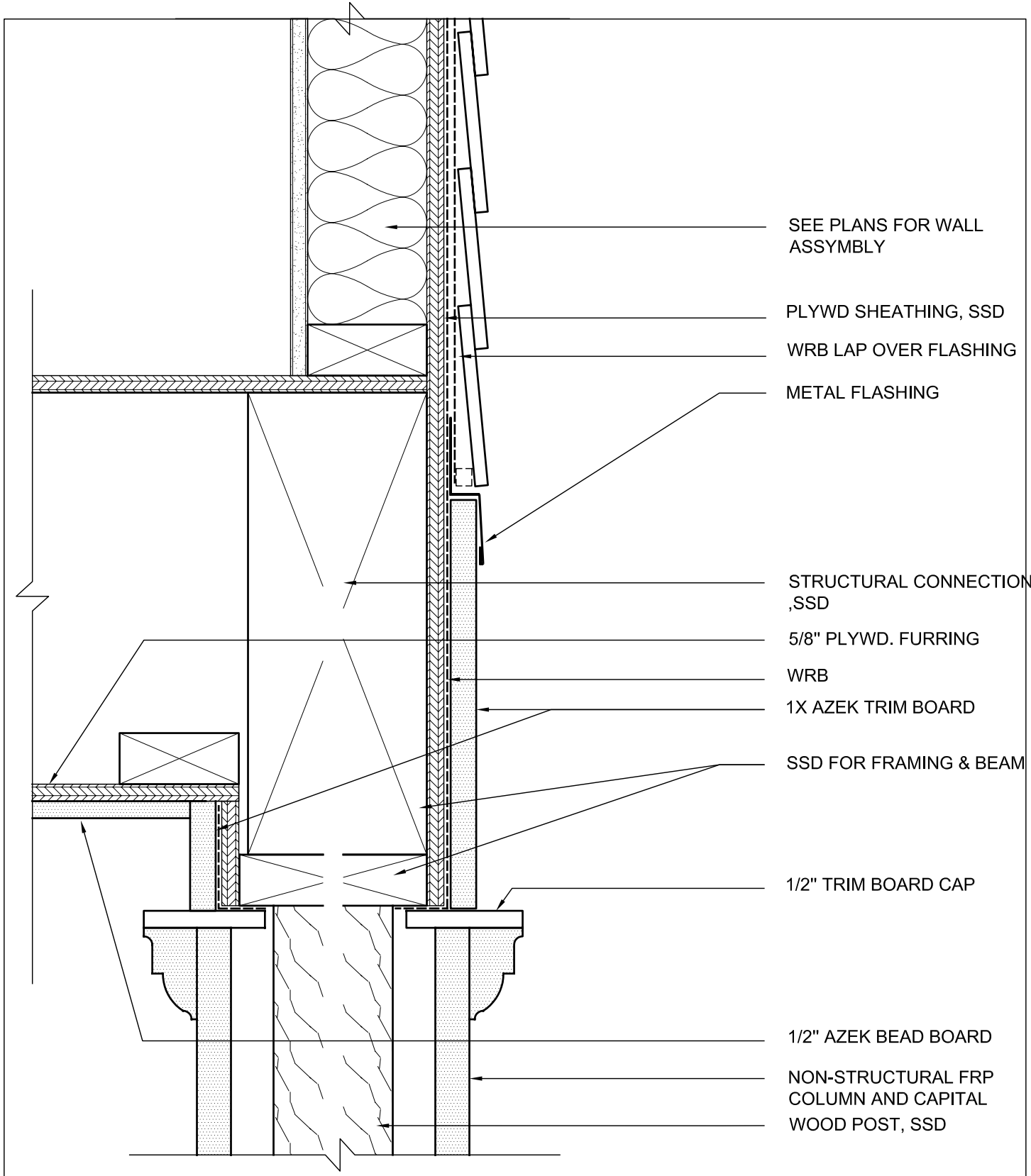
TREME/LAFITTE AND TULANE GRAVIER HOME
BUILDING PLAN
NEW ORLEANS, LOUISIANA

DATE: 10/14/08

SCALE: 3"=1'-0"

PORCH SOFFIT AT BRICK WALL

A520-216



SEE PLANS FOR WALL
ASSYMBLY

PLYWD SHEATHING, SSD

WRB LAP OVER FLASHING

METAL FLASHING

STRUCTURAL CONNECTION
,SSD

5/8" PLYWD. FURRING

WRB

1X AZEK TRIM BOARD

SSD FOR FRAMING & BEAM

1/2" TRIM BOARD CAP

1/2" AZEK BEAD BOARD

NON-STRUCTURAL FRP
COLUMN AND CAPITAL
WOOD POST, SSD

**Michael
Willis
Architects**



MWA JOB #: 200807

REVISION:
- -

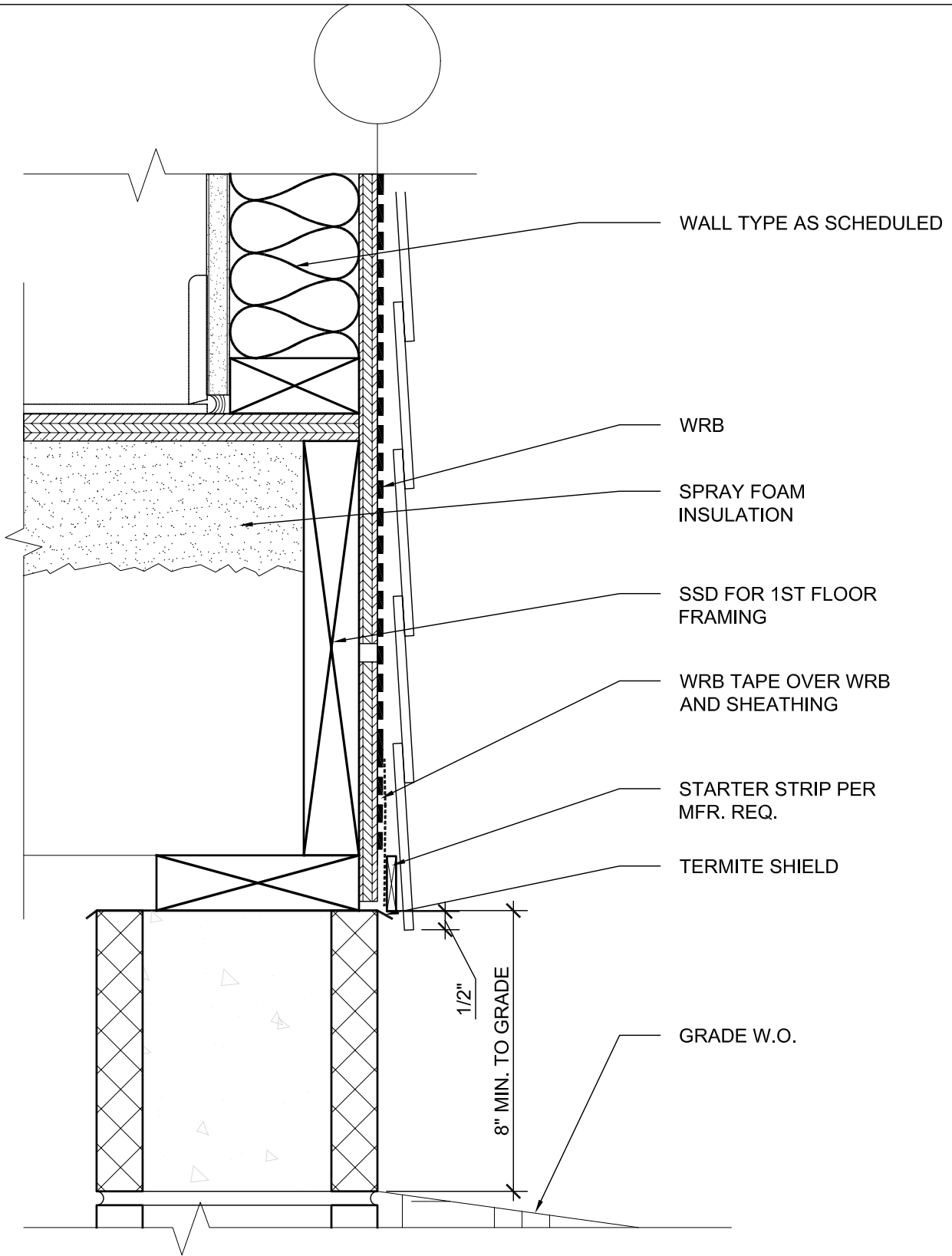
TREME/LAFITTE AND TULANE GRAVIER HOME
BUILDING PLAN
NEW ORLEANS, LOUISIANA

DATE: 10/14/08

SCALE: 3"=1'-0"

BEAM TO COLUMN @ NON-RATED
WALL

A520 251



WALL TYPE AS SCHEDULED

WRB

SPRAY FOAM INSULATION

SSD FOR 1ST FLOOR FRAMING

WRB TAPE OVER WRB AND SHEATHING

STARTER STRIP PER MFR. REQ.

TERMITE SHIELD

GRADE W.O.

1/2"

8" MIN. TO GRADE



MWA JOB #: 200807

REVISION: -

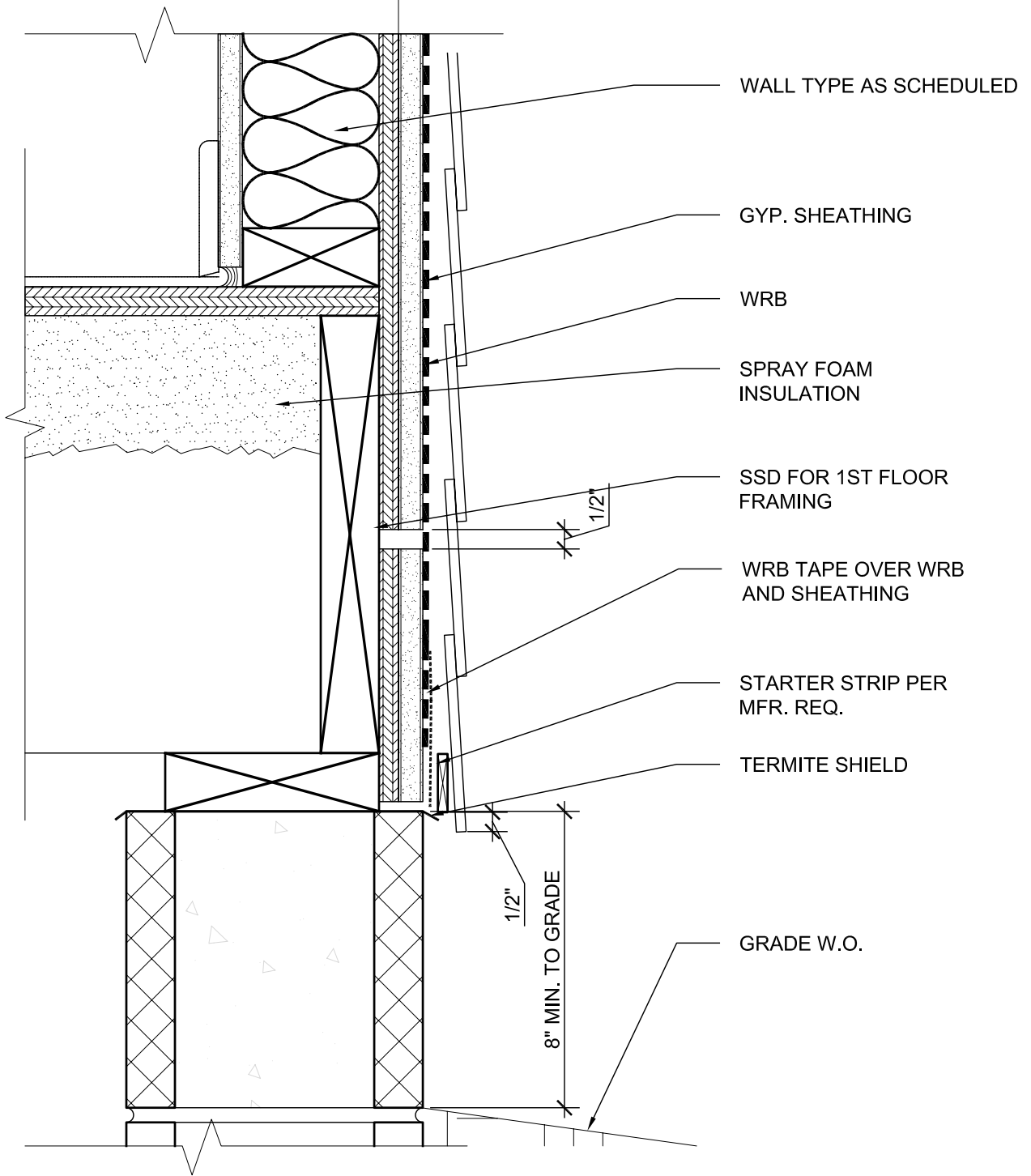
TREME/LAFITTE AND TULANE GRAVIER HOME
BUILDING PLAN
NEW ORLEANS, LOUISIANA

DATE: 10/14/08

SCALE: 3"=1'-0"

CMU WALL @ SIDING AND
NON-RATED WALL

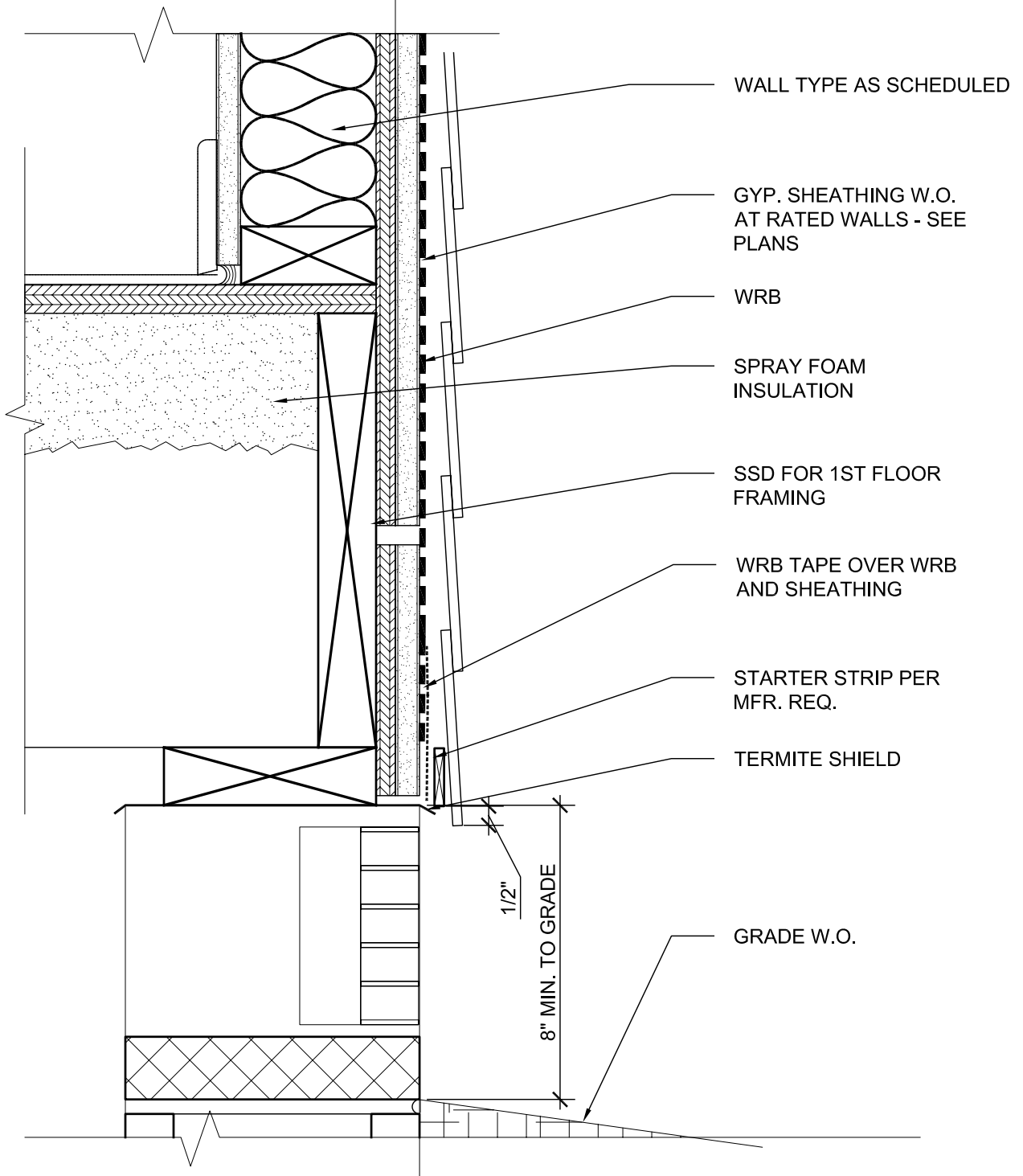
A520.301



MWA JOB #: 200807
 REVISION: -

TREME/LAFITTE AND TULANE GRAVIER HOME
 BUILDING PLAN
 NEW ORLEANS, LOUISIANA
 CMU WALL @ SIDING & RATED
 WALL

DATE: 10/14/08
 SCALE: 3"=1'-0"
 A520.302



MWA JOB #: 200807

REVISION: -

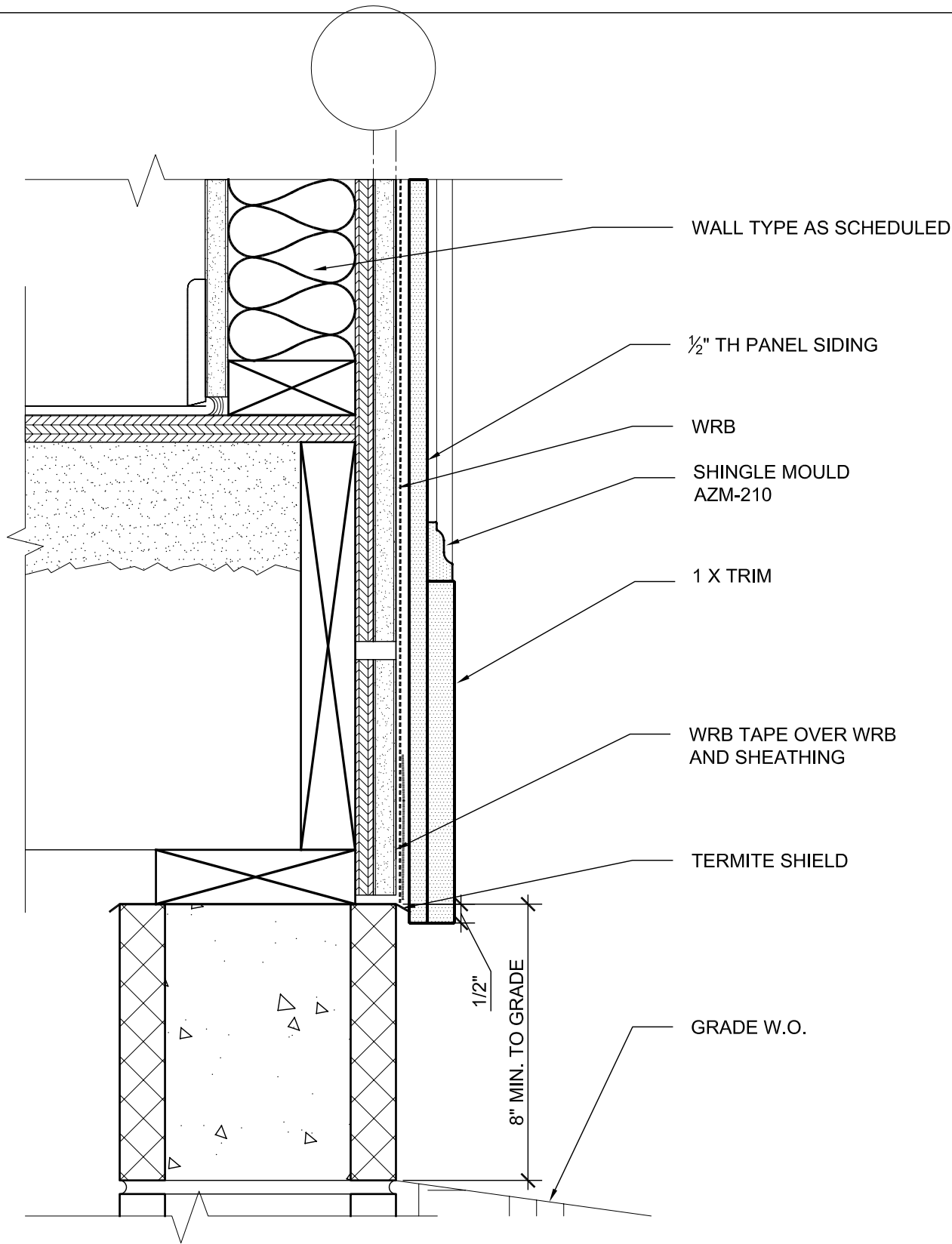
TREME/LAFITTE AND TULANE GRAVIER HOME
 BUILDING PLAN
 NEW ORLEANS, LOUISIANA

DATE: 10/14/08

SCALE: 3"=1'-0"

CRAWL SPACE VENT AT SIDING

A520.303



MWA JOB #: 200807

REVISION: -

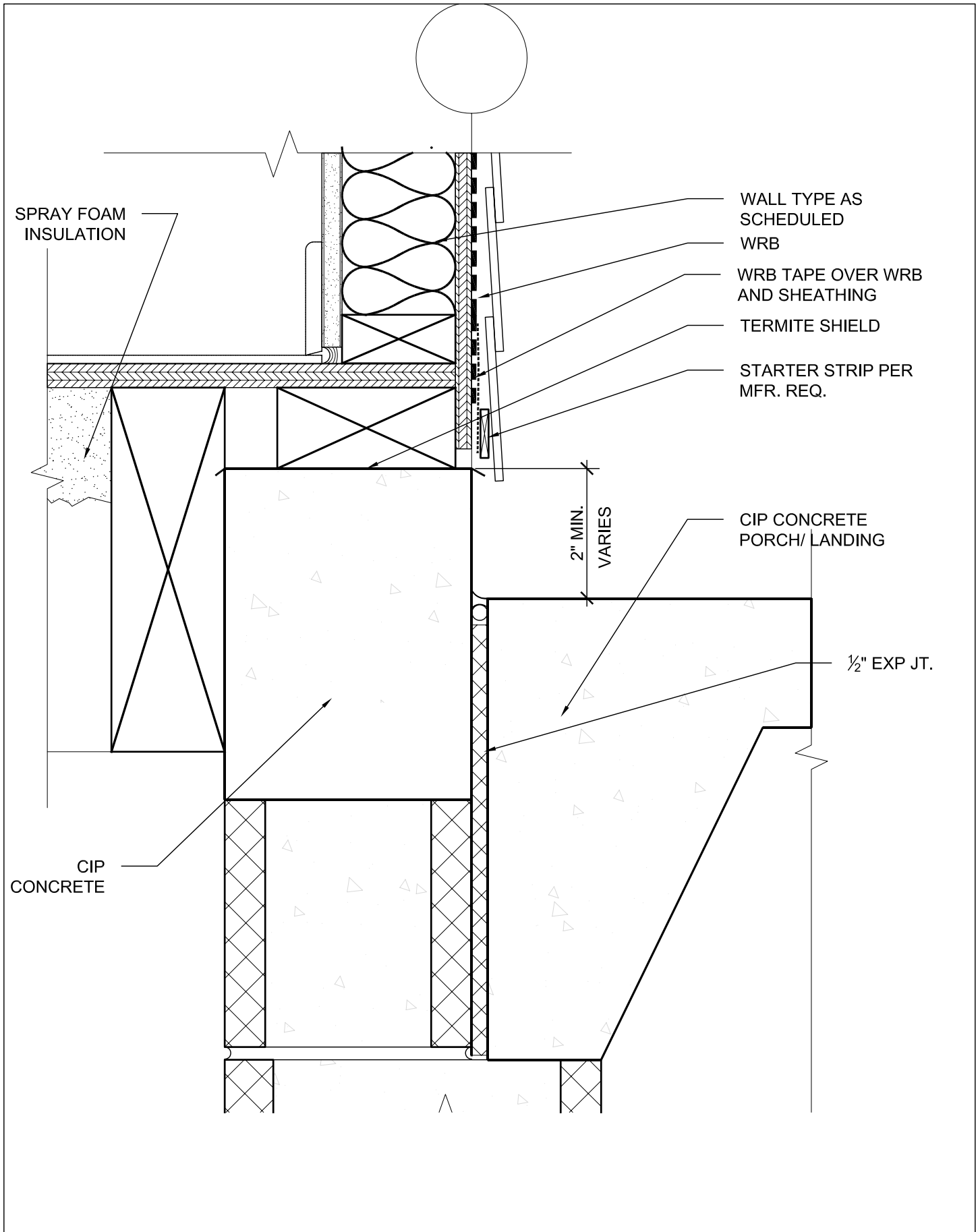
TREME/LAFITTE AND TULANE GRAVIER HOME
 BUILDING PLAN
 NEW ORLEANS, LOUISIANA

DATE: 10/14/08

SCALE: 3"=1'-0"

PANEL SIDING @ RATED WALL

A520-302A



SPRAY FOAM INSULATION


- WALL TYPE AS SCHEDULED
- WRB
- WRB TAPE OVER WRB AND SHEATHING
- TERMITE SHIELD
- STARTER STRIP PER MFR. REQ.

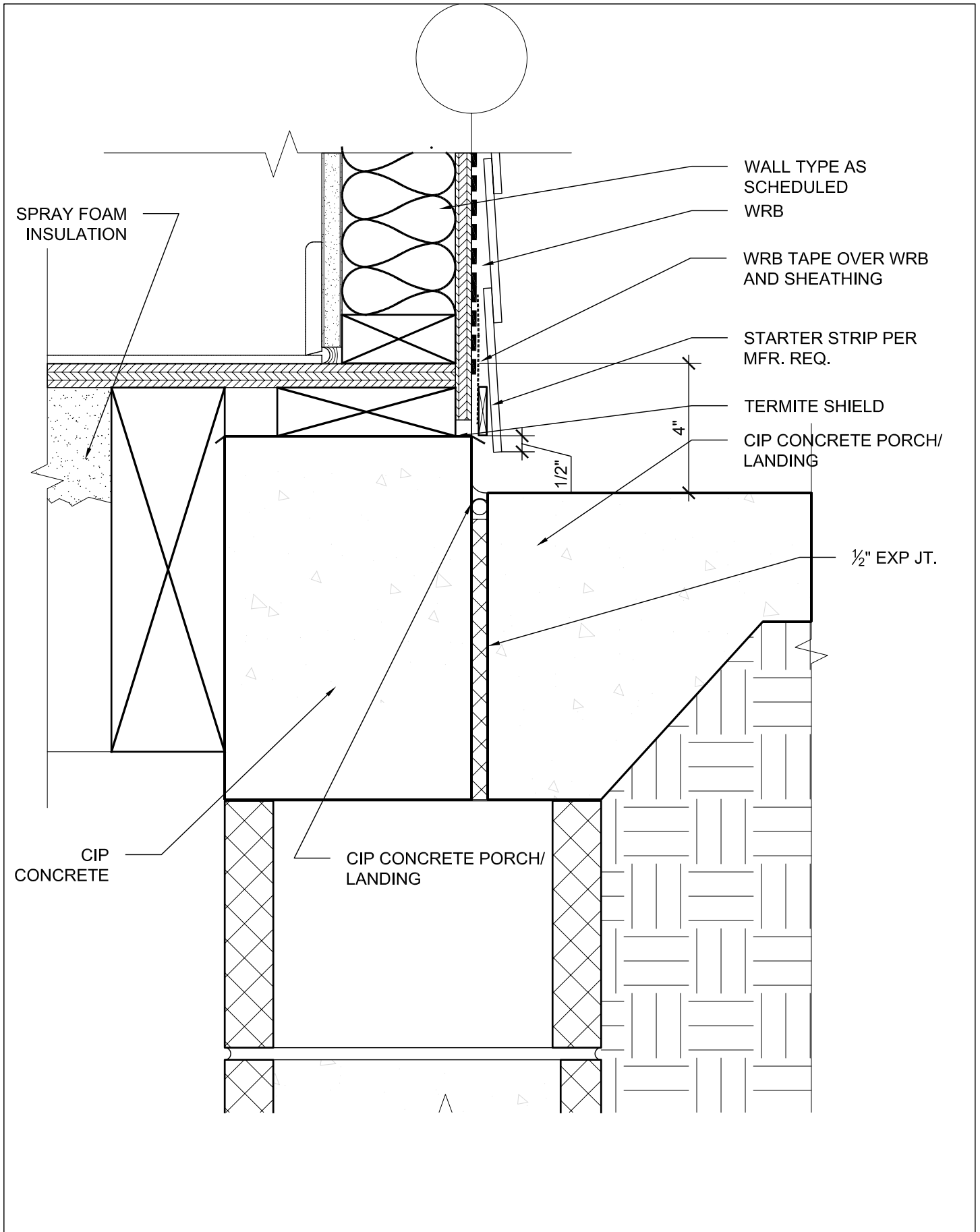
2" MIN.
VARIES

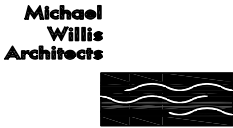
CIP CONCRETE PORCH/LANDING

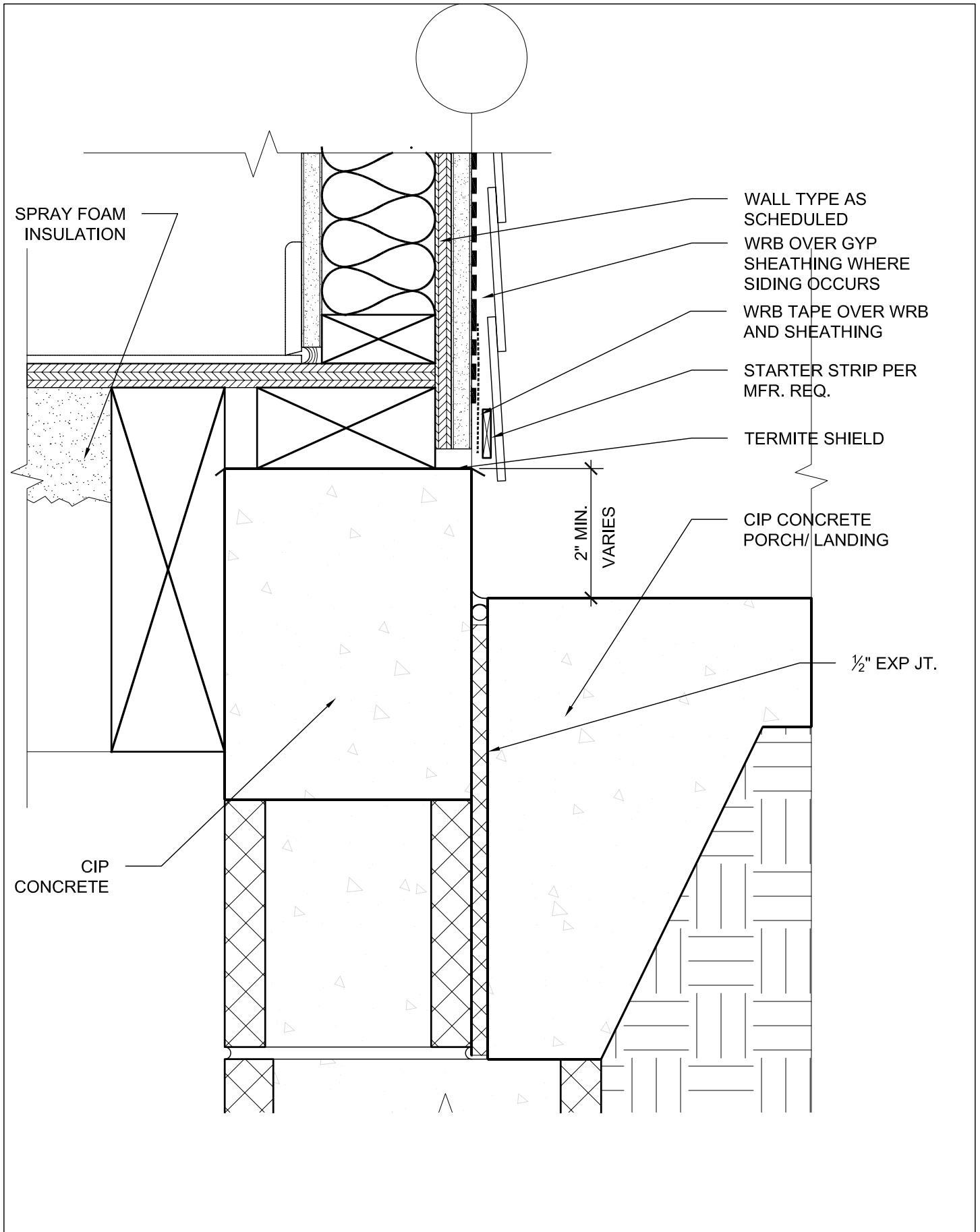
1/2" EXP JT.

CIP CONCRETE

	MWA JOB #: 200807	TREME/LAFITTE AND TULANE GRAVIER HOME	DATE: 10/14/08
	REVISION: -	BUILDING PLAN NEW ORLEANS, LOUISIANA	SCALE: 3"=1'-0"
SIDING AND CONC CURB AT RAMP			A520.304



	MWA JOB #: 200807	TREME/LAFITTE AND TULANE GRAVIER HOME	DATE: 10/14/08
	REVISION: -	BUILDING PLAN NEW ORLEANS, LOUISIANA	SCALE: 3"=1'-0"
SIDING AT PORCH CURB			A520.305



SPRAY FOAM INSULATION


WALL TYPE AS SCHEDULED
 WRB OVER GYP SHEATHING WHERE SIDING OCCURS
 WRB TAPE OVER WRB AND SHEATHING
 STARTER STRIP PER MFR. REQ.
 TERMITE SHIELD

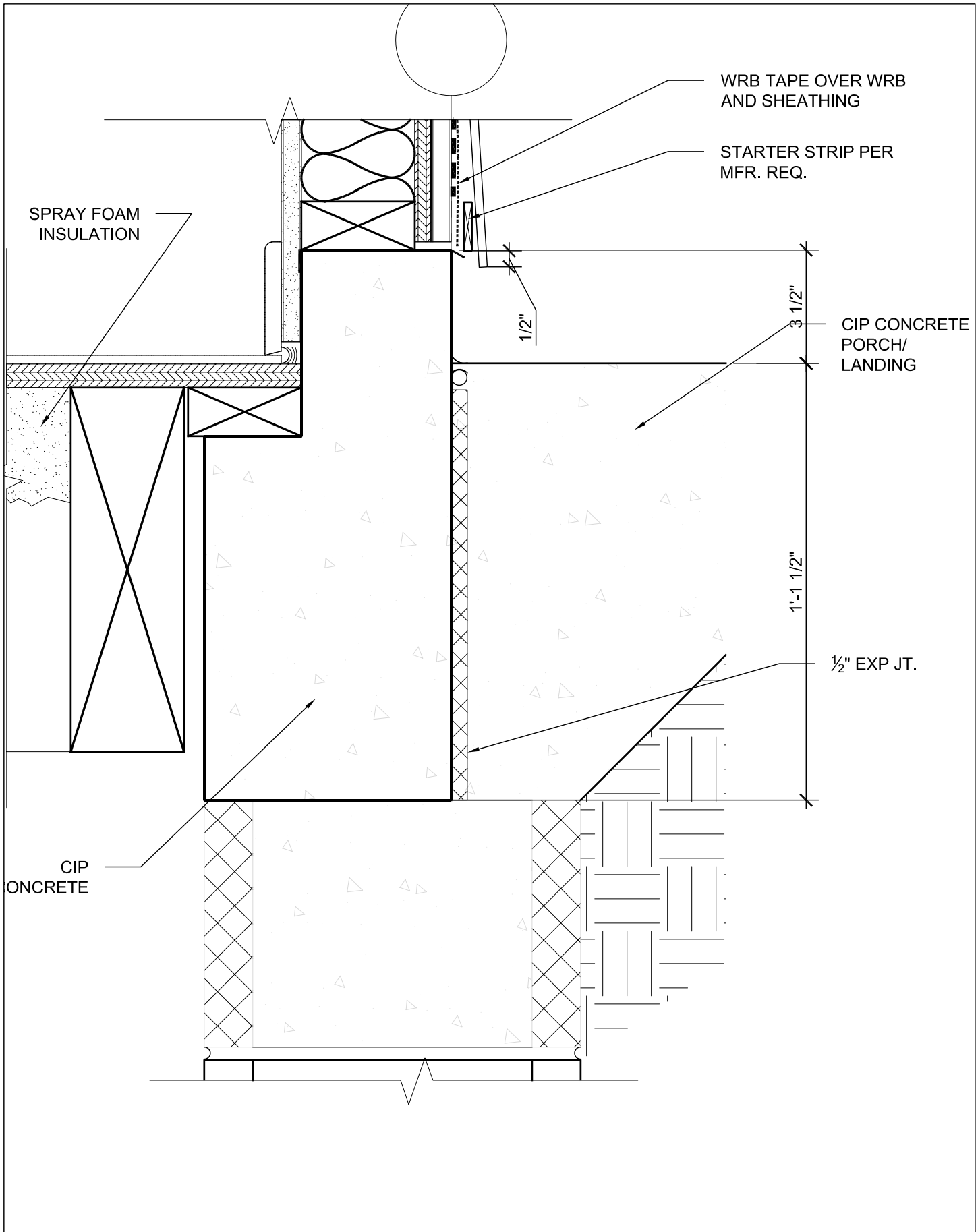
CIP CONCRETE PORCH/LANDING

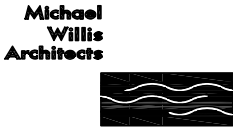
2" MIN.
 VARIES

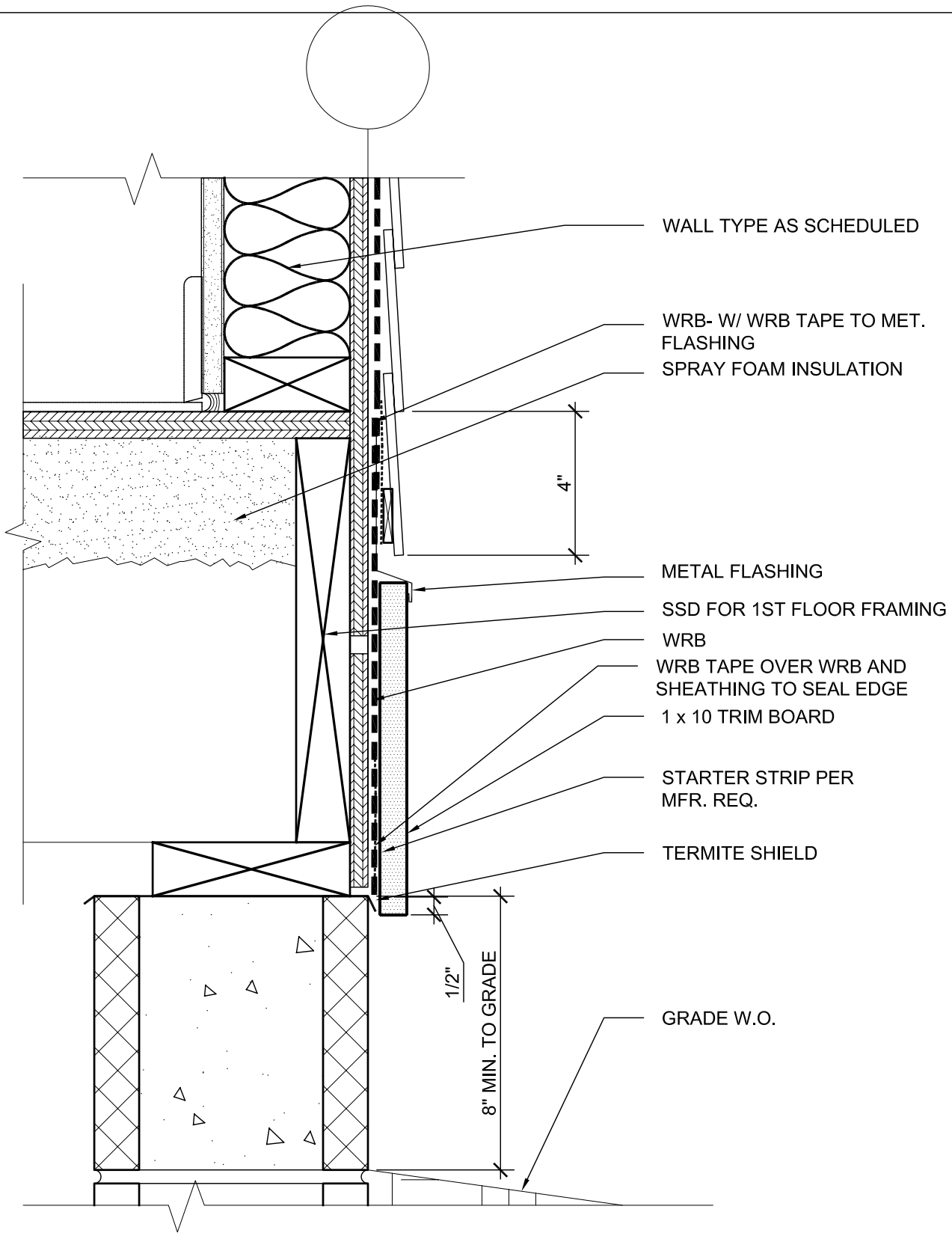
1/2" EXP JT.

CIP CONCRETE

	MWA JOB #: 200807	TREME/LAFITTE AND TULANE GRAVIER HOME BUILDING PLAN NEW ORLEANS, LOUISIANA	DATE: 10/14/08
	REVISION: -	SIDING AND CONC CURB AT RAMP	SCALE: 3"=1'-0"
		A520.306	



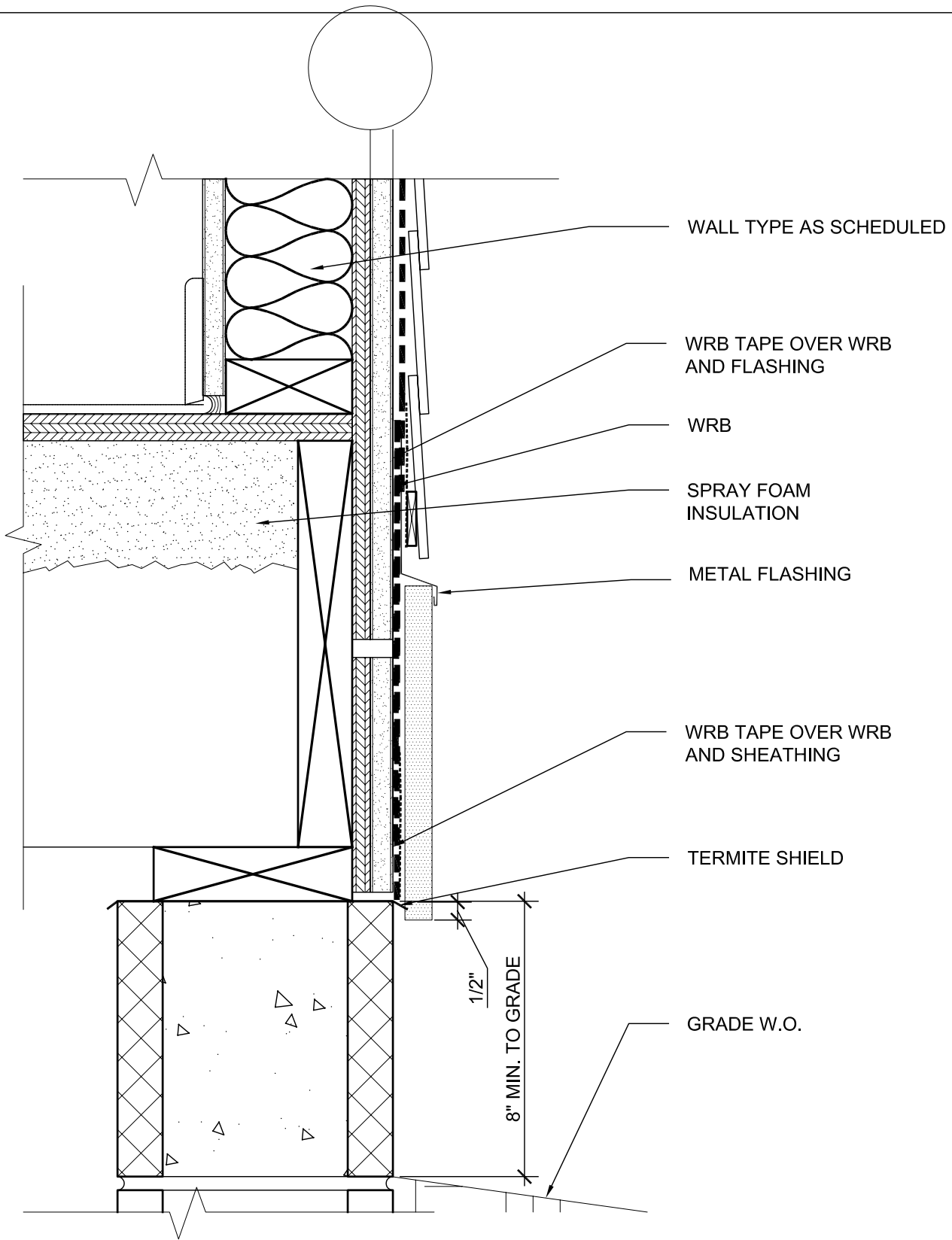
	MWA JOB #: 200807	TREME/LAFITTE AND TULANE GRAVIER HOME	DATE: 10/14/08
	REVISION: -	BUILDING PLAN NEW ORLEANS, LOUISIANA	SCALE: 3"=1'-0"
SIDING AND CONC CURB AT RAMP LANDING			A520.307



MWA JOB #: 200807
 REVISION: -

TREME/LAFITTE AND TULANE GRAVIER HOME
 BUILDING PLAN
 NEW ORLEANS, LOUISIANA
 LAP SIDING @ TRIM @ NON-RATED
 WALL

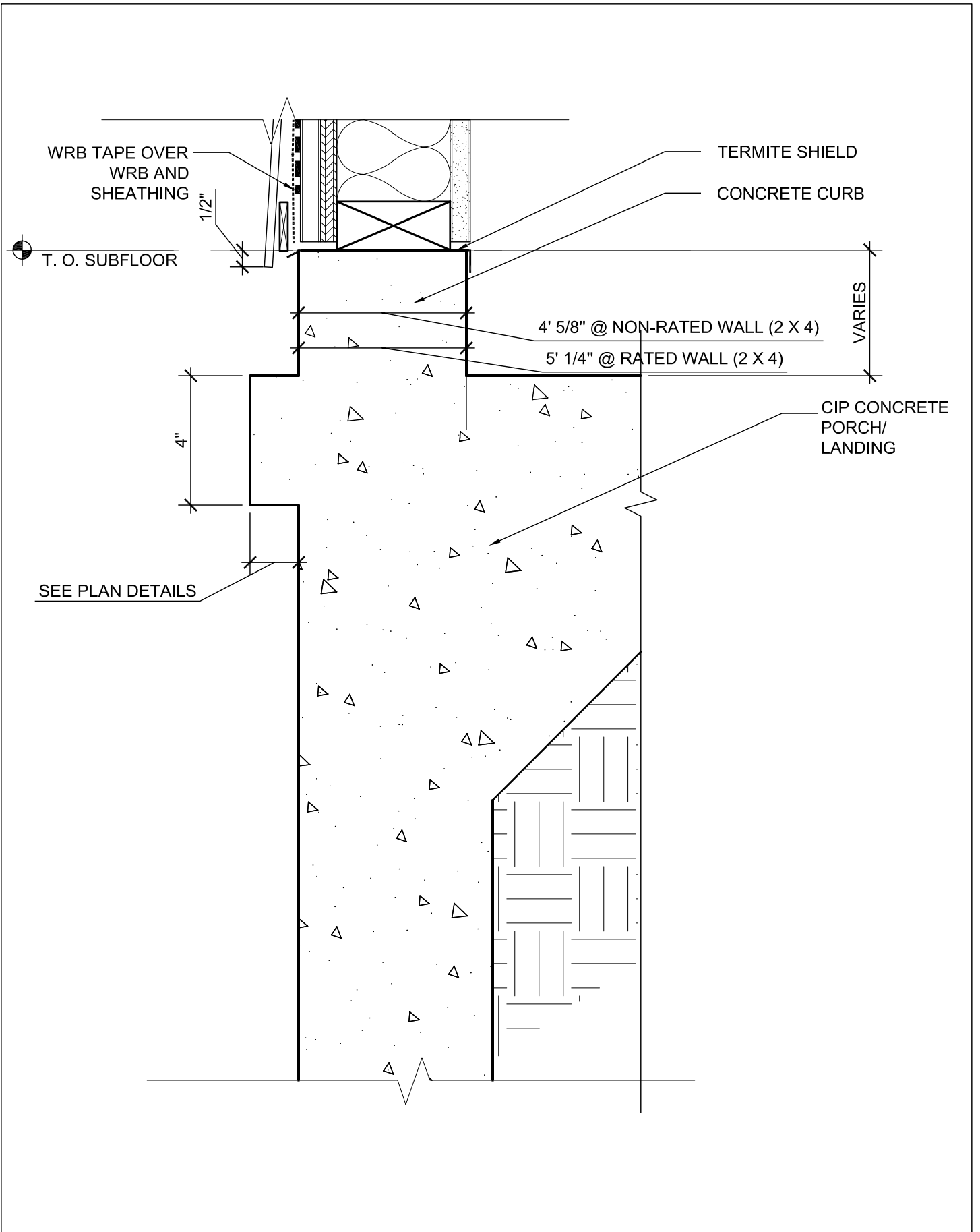
DATE: 10/14/08
 SCALE: 3"=1'-0"
 A520 309



MWA JOB #: 200807
 REVISION: -

TREME/LAFITTE AND TULANE GRAVIER HOME
 BUILDING PLAN
 NEW ORLEANS, LOUISIANA
 LAP SIDING @ TRIM @ RATED
 WALL

DATE: 10/14/08
 SCALE: 3"=1'-0"
 A520 310



WRB TAPE OVER
WRB AND
SHEATHING

TERMITE SHIELD
CONCRETE CURB

T. O. SUBFLOOR

4' 5/8" @ NON-RATED WALL (2 X 4)
5' 1/4" @ RATED WALL (2 X 4)


VARIABLES

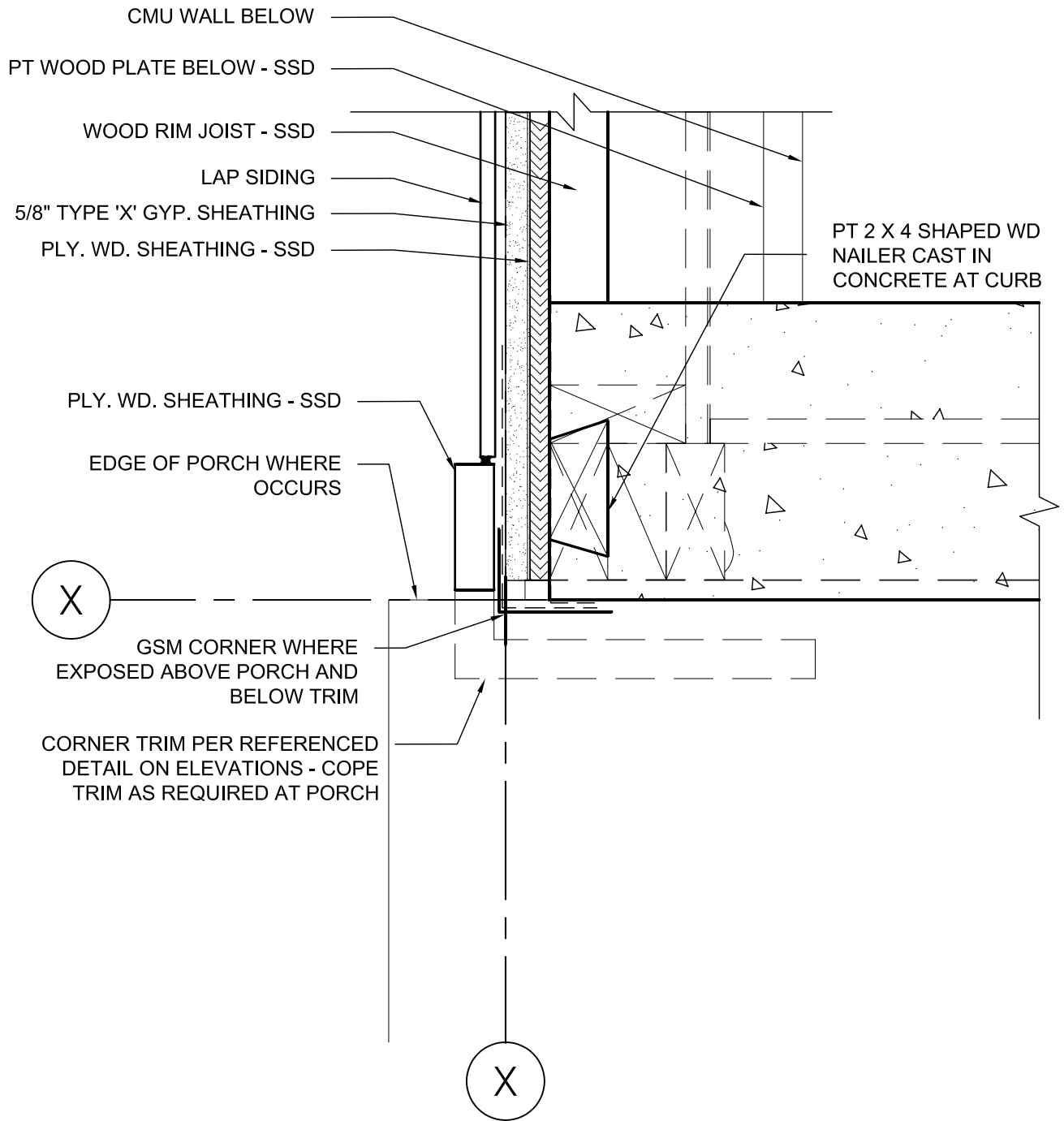
CIP CONCRETE
PORCH/
LANDING

SEE PLAN DETAILS

4"

4"

	MWA JOB #: 200807	TREME/LAFITTE AND TULANE GRAVIER HOME	DATE: 10/14/08
	REVISION:	BUILDING PLAN NEW ORLEANS, LOUISIANA	SCALE: 3"=1'-0"
		LAP SIDING @ CONC. CURB @ STORAGE	A520 311



MWA JOB #: 200807

REVISION:
-

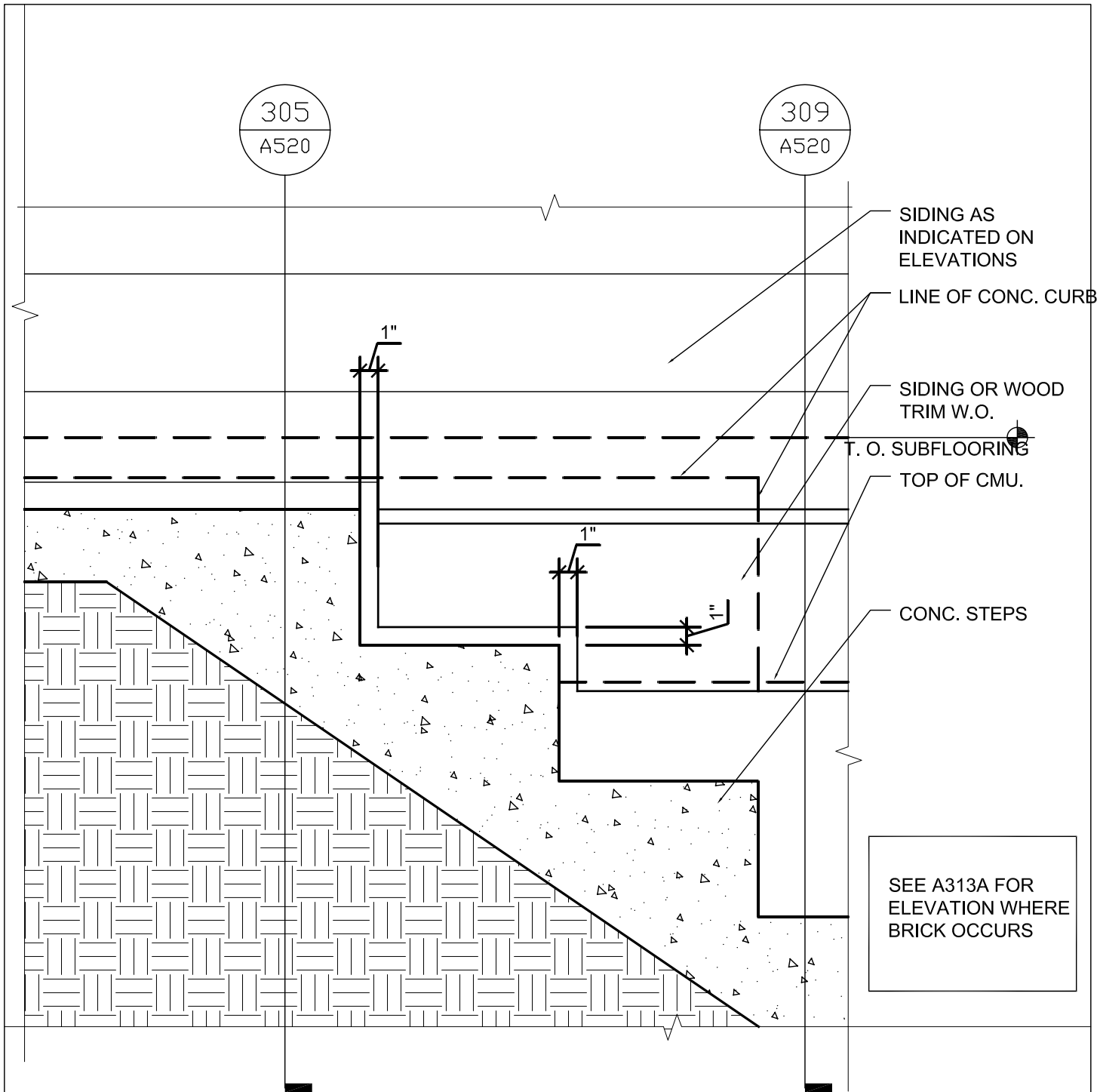
TREME/LAFITTE AND TULANE GRAVIER HOME
BUILDING PLAN
NEW ORLEANS, LOUISIANA

DET. @ PORCH CORNER WITH
WOOD NAILER

DATE: 10/14/08

SCALE: 3"=1'-0"

A520 312



305
A520

309
A520

SIDING AS INDICATED ON ELEVATIONS

LINE OF CONC. CURB

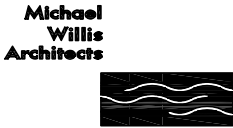
SIDING OR WOOD TRIM W.O.

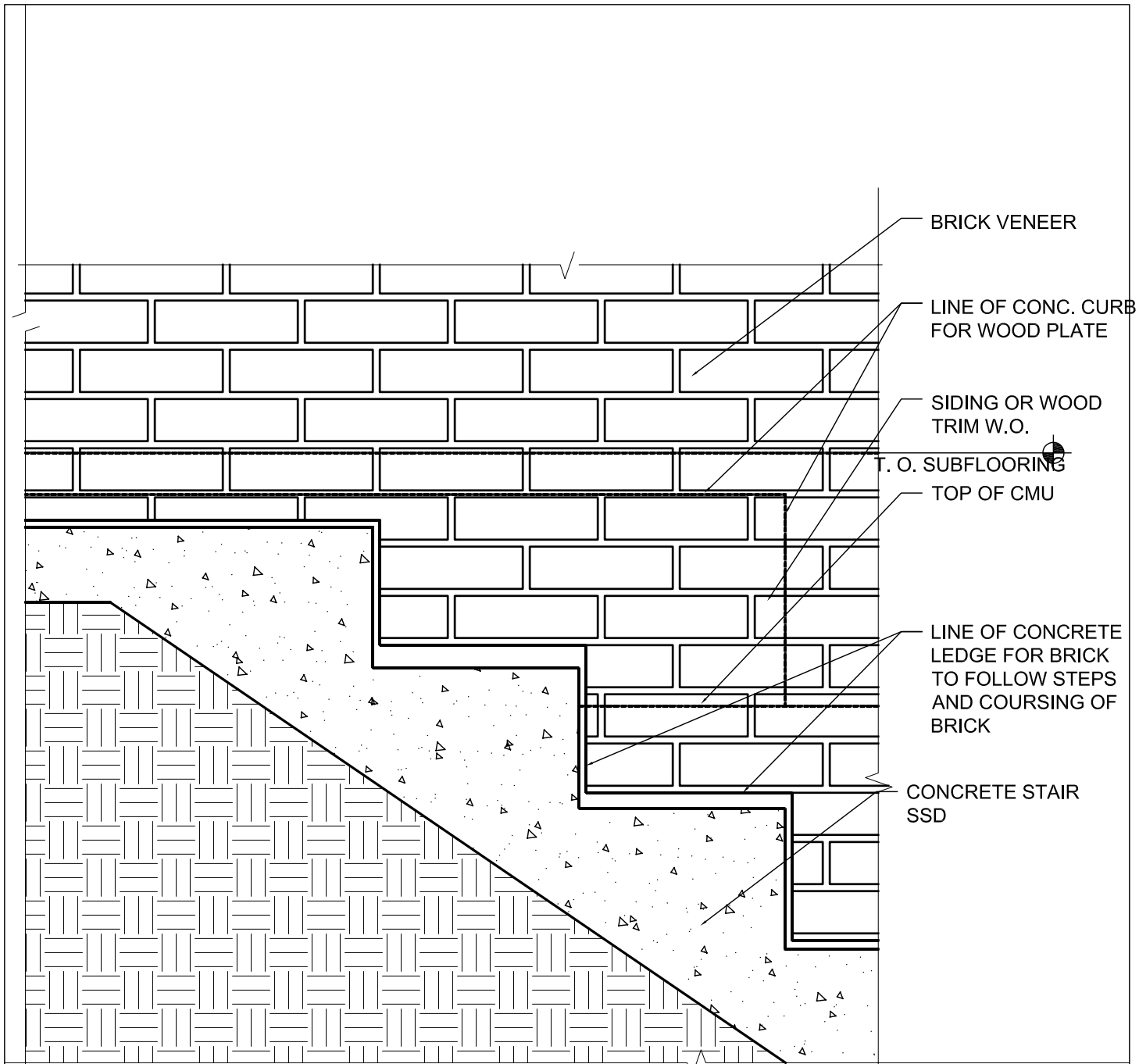
T. O. SUBFLOORING

TOP OF CMU.

CONC. STEPS

SEE A313A FOR ELEVATION WHERE BRICK OCCURS

	MWA JOB #: 200807	TREME/LAFITTE AND TULANE GRAVIER HOME	DATE: 10/14/08
	REVISION: -	BUILDING PLAN NEW ORLEANS, LOUISIANA	SCALE: 1 1/2"=1'-0"
ELEV. OF CONC. CURB @ STAIRS			A520 313



BRICK VENEER

LINE OF CONC. CURB FOR WOOD PLATE


SIDING OR WOOD TRIM W.O.

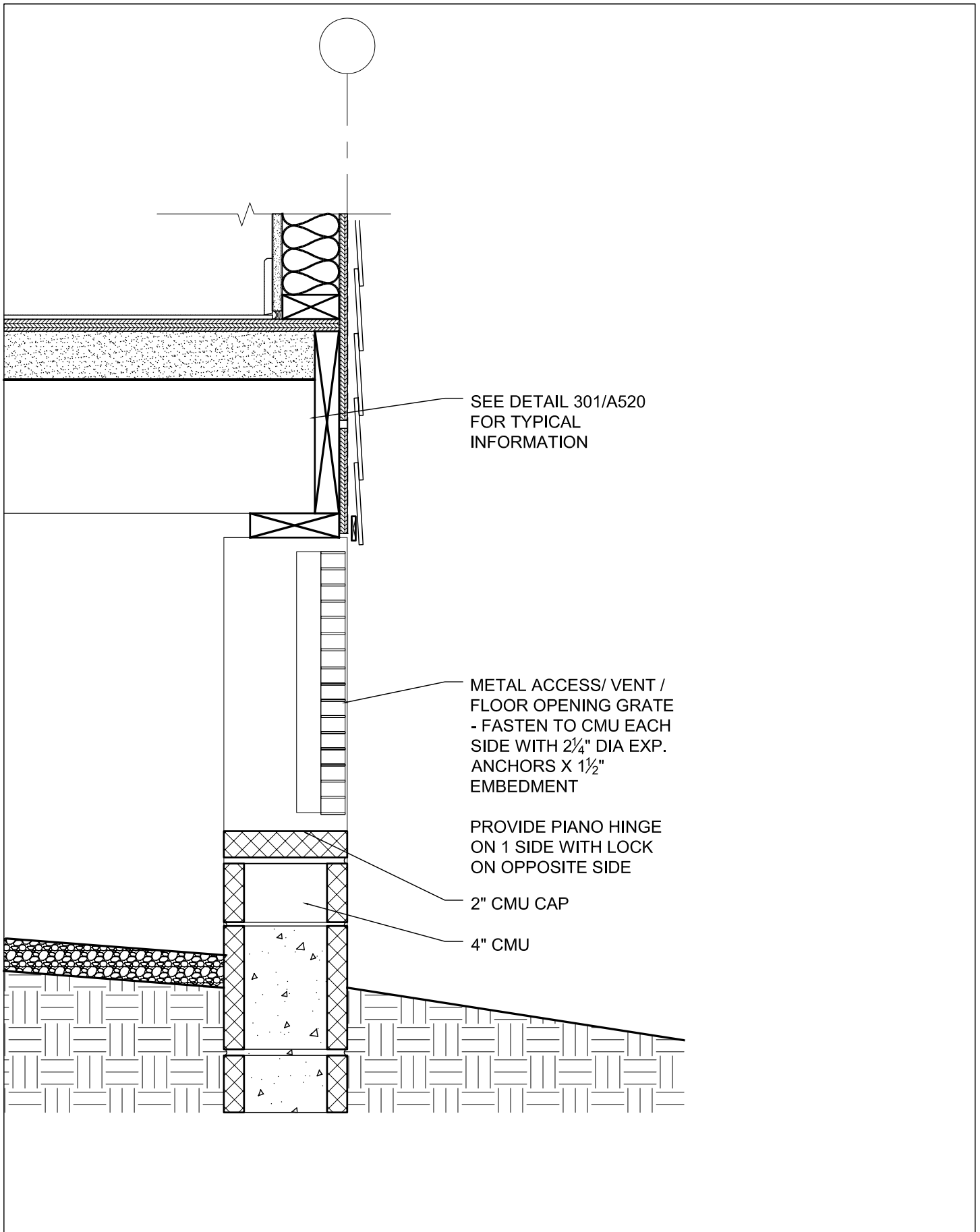
T. O. SUBFLOORING

TOP OF CMU

LINE OF CONCRETE LEDGE FOR BRICK TO FOLLOW STEPS AND COURSING OF BRICK

CONCRETE STAIR SSD

	MWA JOB #: 200807	TREME/LAFITTE AND TULANE GRAVIER HOME BUILDING PLAN NEW ORLEANS, LOUISIANA	DATE: 10/14/08
	REVISION: -	ELEV OF CONC. CURB AT STAIRS AND BRICK	SCALE: 1 1/2"=1'-0"
			A520-313A



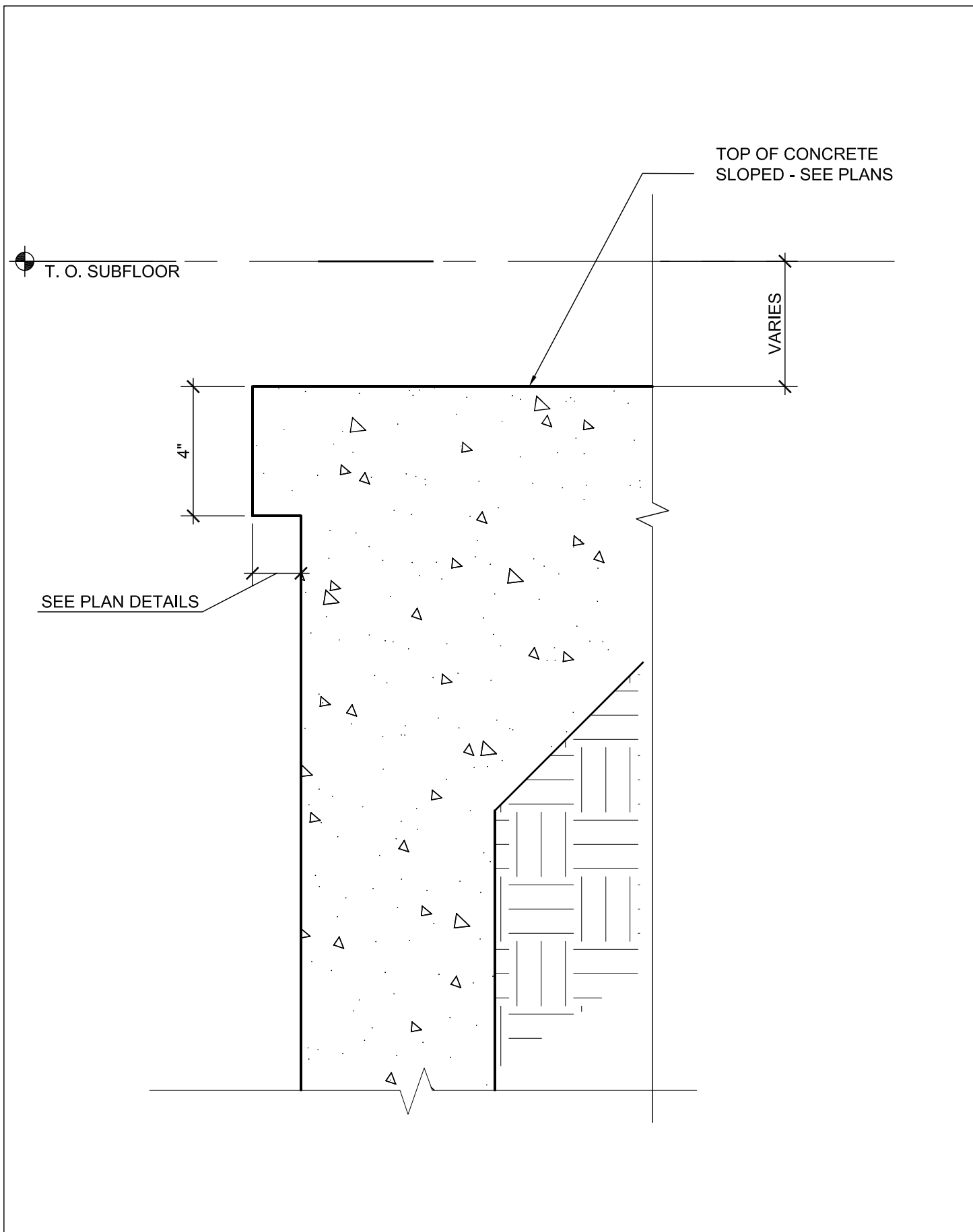
MWA JOB #: 200807
 REVISION: -

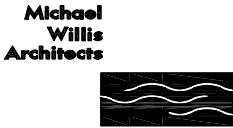
TREME/LAFITTE AND TULANE GRAVIER HOME
 BUILDING PLAN
 NEW ORLEANS, LOUISIANA

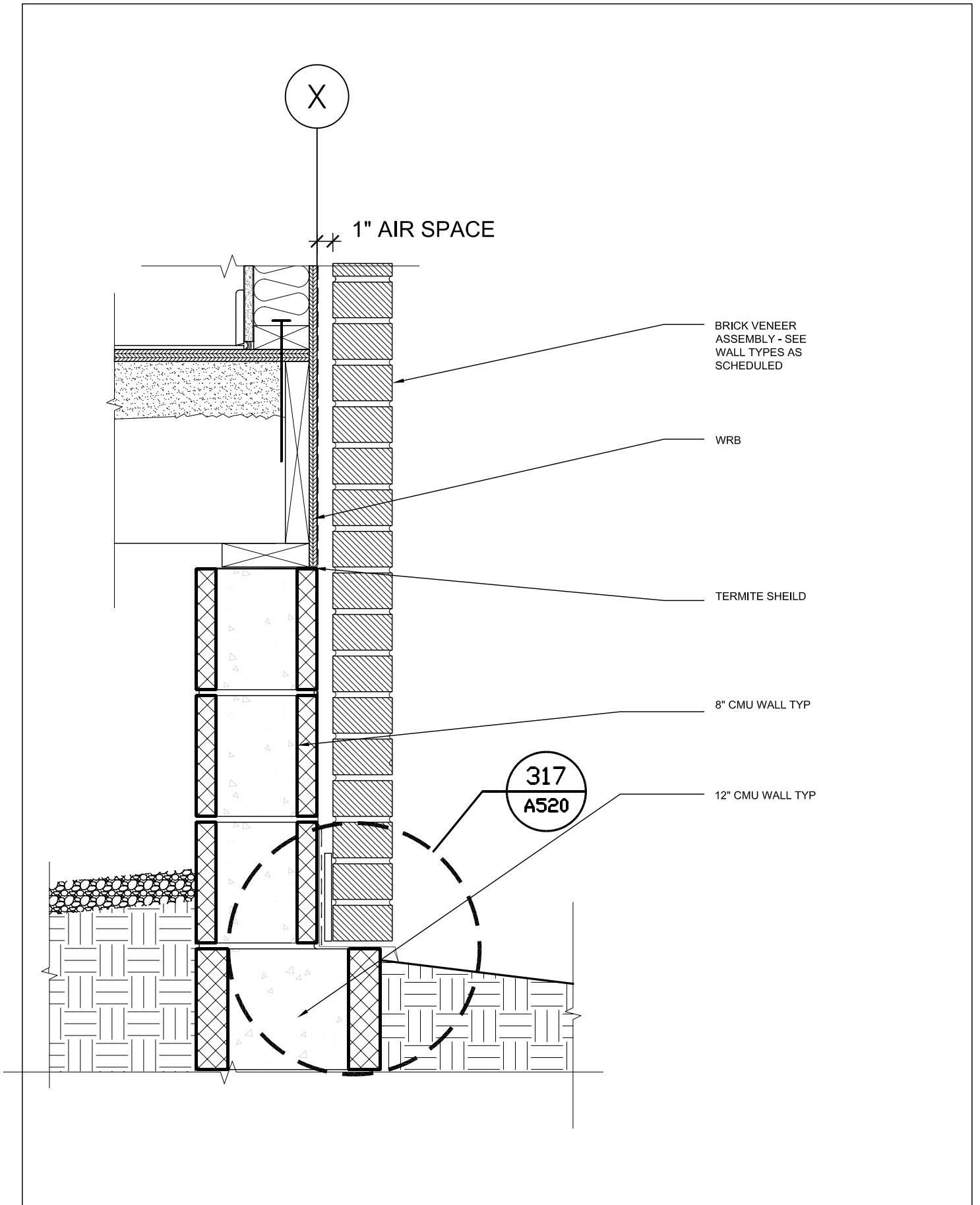
DATE: 10/14/08
 SCALE: 1-1/2"=1'-0"


SECTION AT ACCESS PANEL

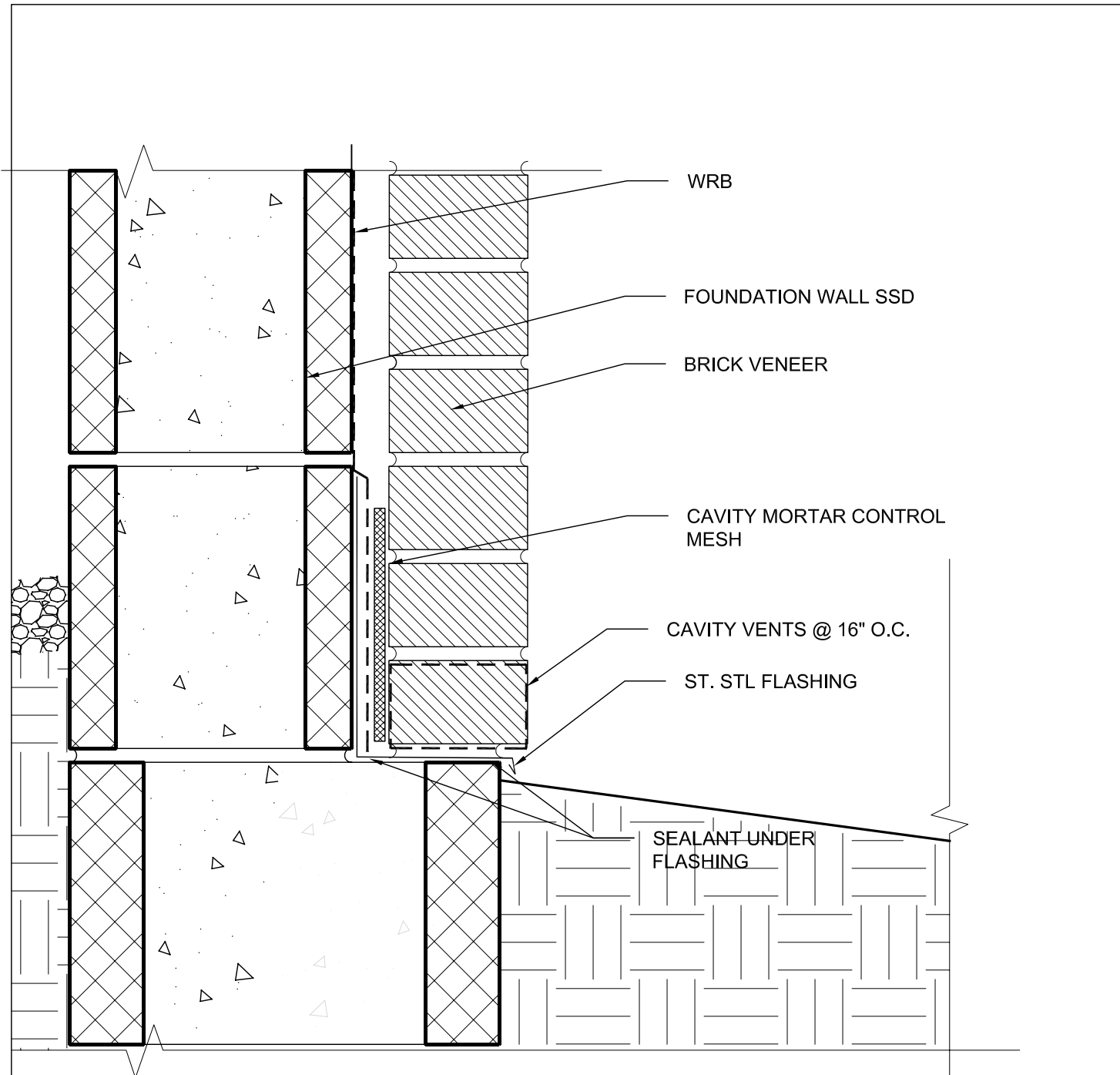
A520.314



	MWA JOB #: 200807	TREME/LAFITTE AND TULANE GRAVIER HOME	DATE: 10/14/08
	REVISION: -	BUILDING PLAN NEW ORLEANS, LOUISIANA	SCALE: 3"=1'-0"
TYP. DETAIL AT EDGE OF CONCRETE PORCH			A520 315



	MWA JOB #: 200807	TREME/LAFITTE AND TULANE GRAVIER HOME	DATE: 10/14/08
	REVISION: -	BUILDING PLAN NEW ORLEANS, LOUISIANA	SCALE: 1/8"=1'-0"
CMU WALL @ BRICK VENEER			A520 316



WRB

FOUNDATION WALL SSD


BRICK VENEER

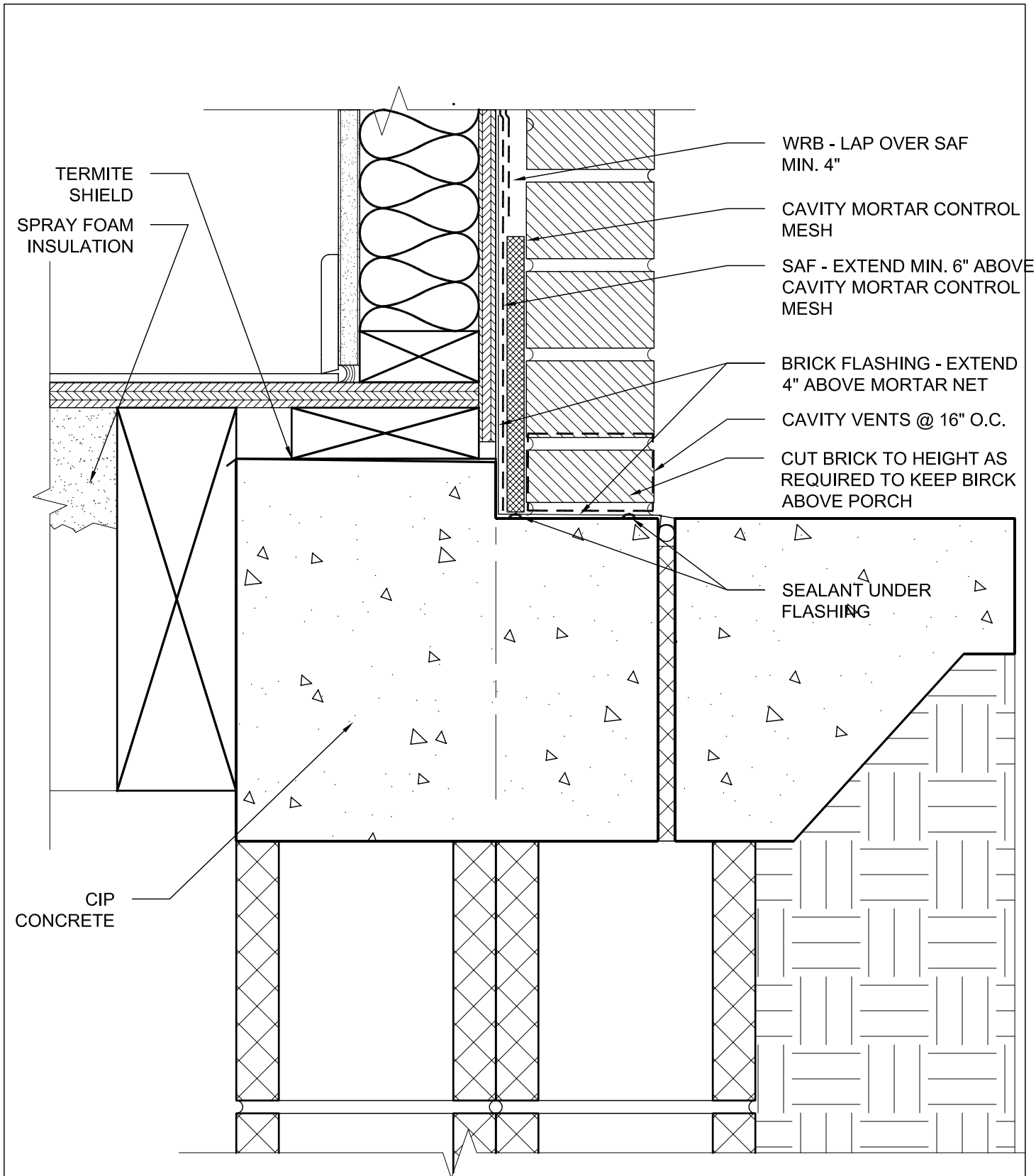
CAVITY MORTAR CONTROL MESH

CAVITY VENTS @ 16" O.C.

ST. STL FLASHING

SEALANT UNDER FLASHING

	MWA JOB #: 200807	TREME/LAFITTE AND TULANE GRAVIER HOME BUILDING PLAN NEW ORLEANS, LOUISIANA	DATE: 10/14/08
	REVISION: -	DETAIL OF CMU LEDGER @ BRICK	SCALE: 3"=1'-0"
		A520 317	




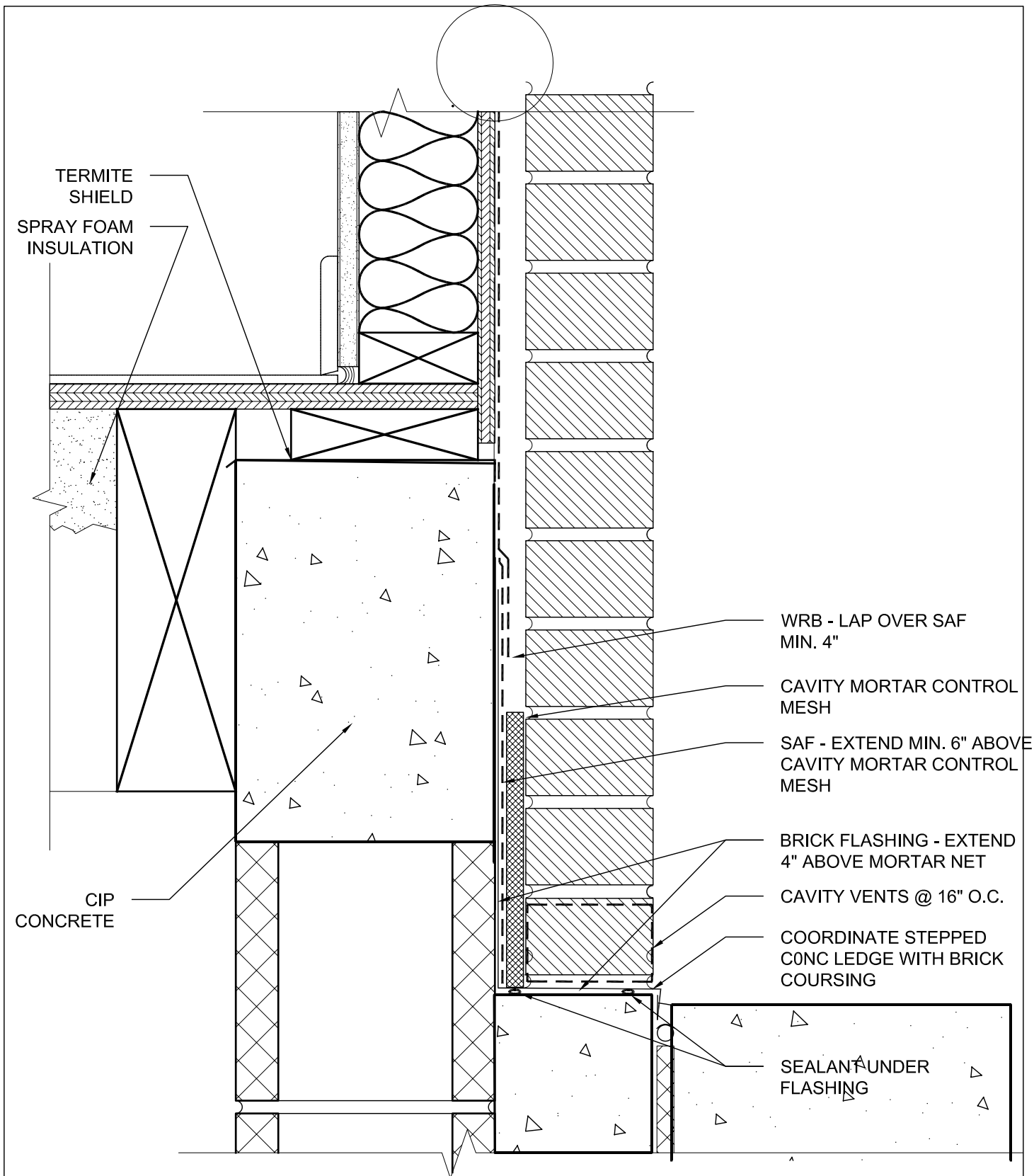
TERMITE SHIELD
 SPRAY FOAM INSULATION

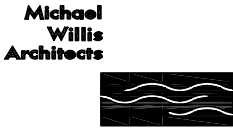
WRB - LAP OVER SAF
 MIN. 4"
 CAVITY MORTAR CONTROL
 MESH
 SAF - EXTEND MIN. 6" ABOVE
 CAVITY MORTAR CONTROL
 MESH
 BRICK FLASHING - EXTEND
 4" ABOVE MORTAR NET
 CAVITY VENTS @ 16" O.C.
 CUT BRICK TO HEIGHT AS
 REQUIRED TO KEEP BRICK
 ABOVE PORCH

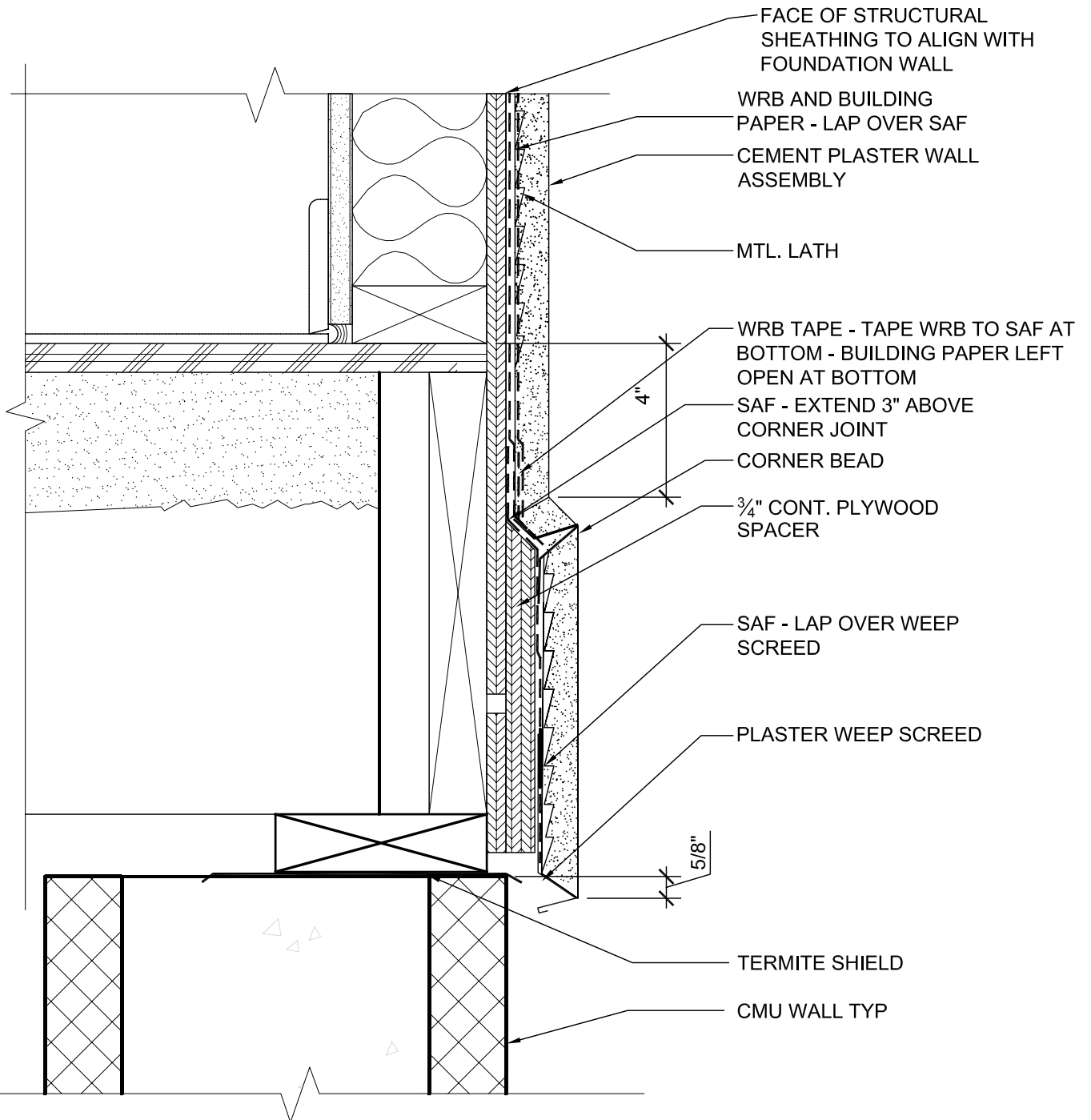
SEALANT UNDER
 FLASHING

CIP
 CONCRETE

	MWA JOB #: 200807	TREME/LAFITTE AND TULANE GRAVIER HOME BUILDING PLAN NEW ORLEANS, LOUISIANA	DATE: 10/14/08
	REVISION: -	SECT. DET. OF BRICK VENEER @ PORCH LANDING	SCALE: 3"=1'-0"
			A520 318



	MWA JOB #: 200807	TREME/LAFITTE AND TULANE GRAVIER HOME	DATE: 10/14/08
	REVISION: -	BUILDING PLAN NEW ORLEANS, LOUISIANA	SCALE: 3"=1'-0"
SECT. DET. OF BRICK VENEER @ STEPS			A520 319



MWA JOB #: 200807

REVISION: -

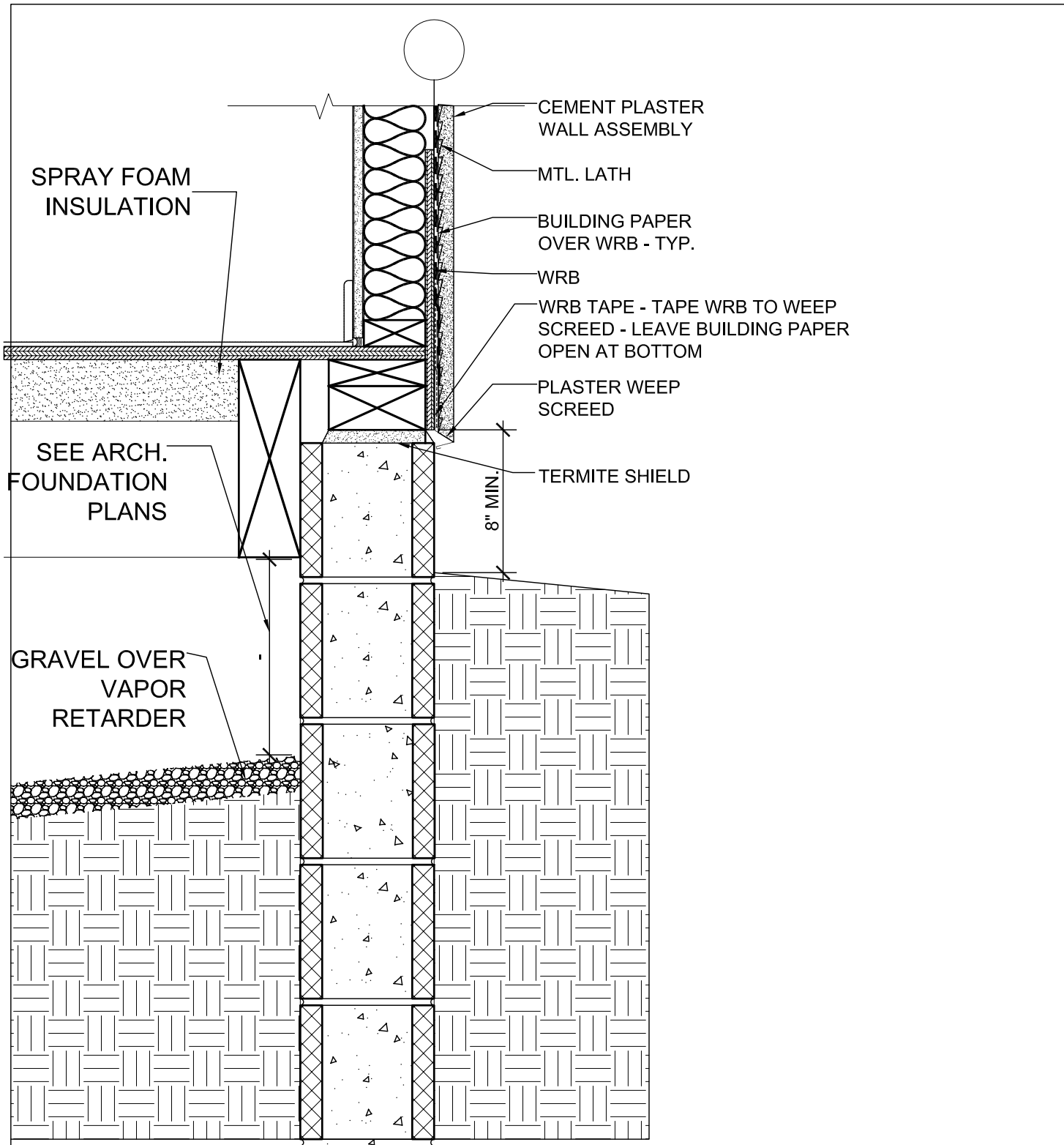
TREME/LAFITTE AND TULANE GRAVIER HOME
 BUILDING PLAN
 NEW ORLEANS, LOUISIANA

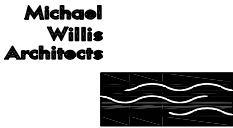
DATE: 10/14/08

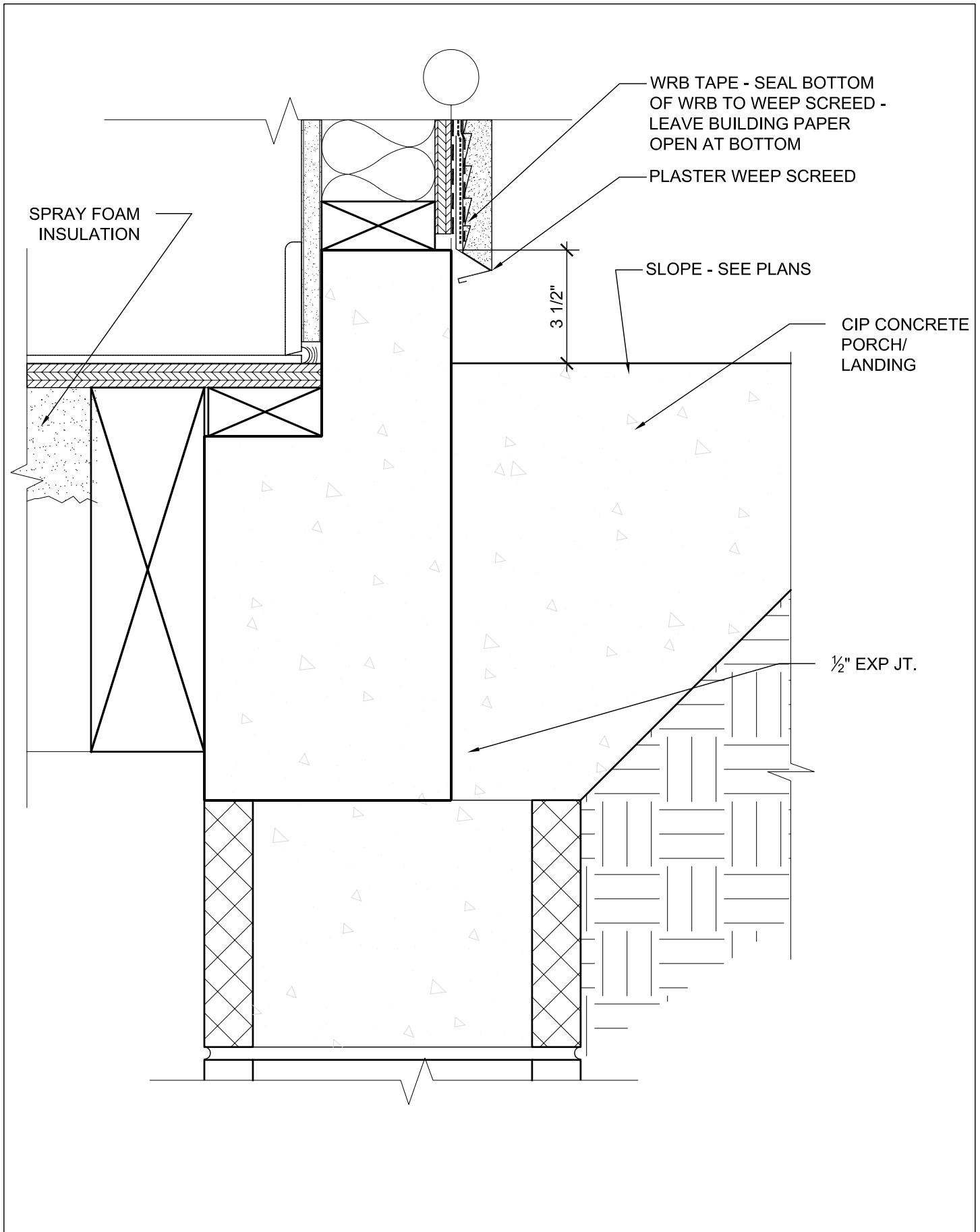
SCALE: 3"=1'-0"

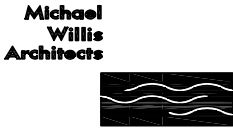
CMU WALL AT FLOOR JOIST
 CEMENT PLASTER

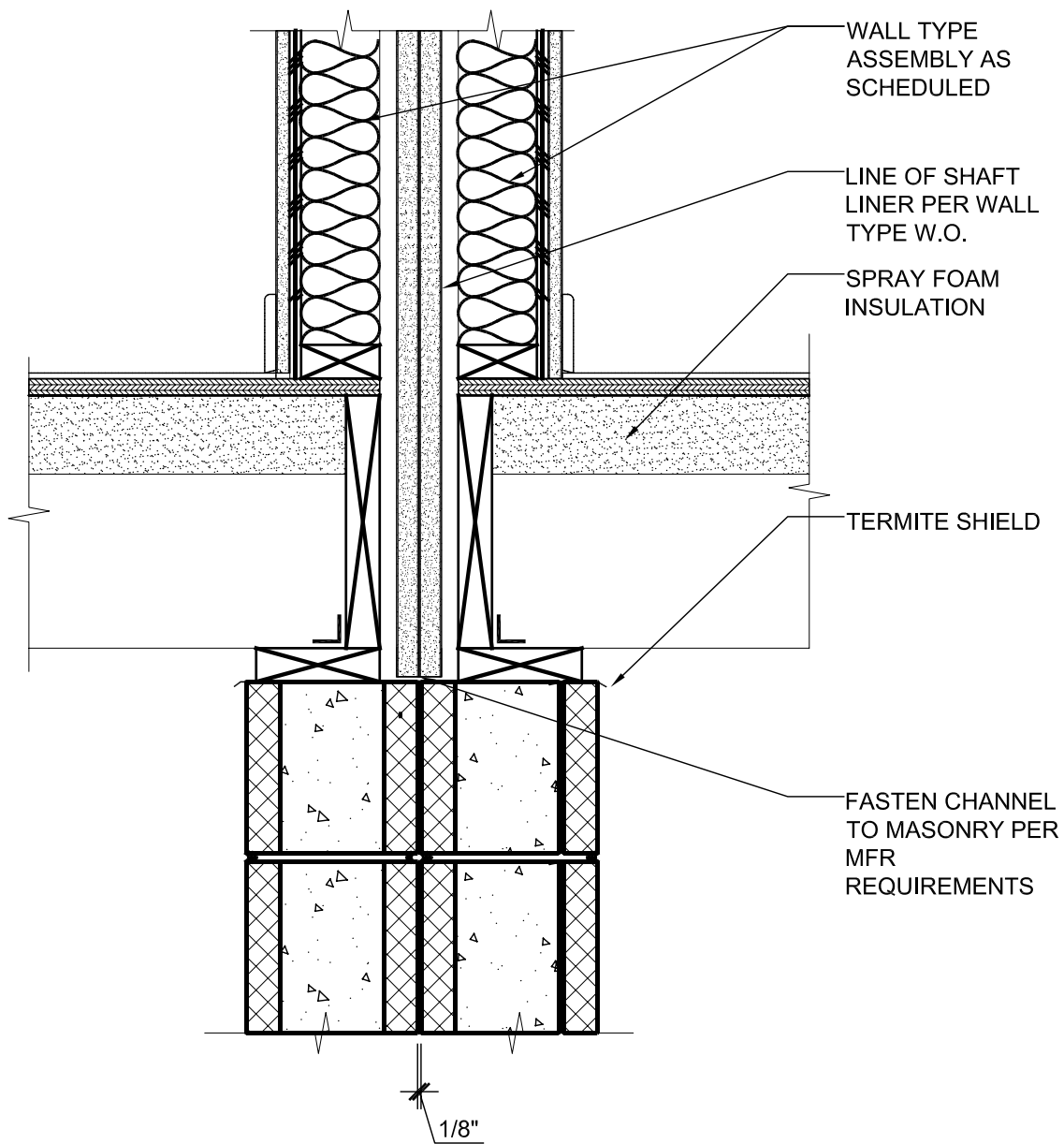
A520.321



	MWA JOB #: 200807	TREME/LAFITTE AND TULANE GRAVIER HOME	DATE: 10/14/08
	REVISION: -	BUILDING PLAN NEW ORLEANS, LOUISIANA	SCALE: 1/8" = 1'-0"
CMU WALL @ FLOOR JOIST & CEMENT PLASTER			A520 322



	MWA JOB #: 200807	TREME/LAFITTE AND TULANE GRAVIER HOME	DATE: 10/14/08
	REVISION: -	BUILDING PLAN NEW ORLEANS, LOUISIANA	SCALE: 3"=1'-0"
SECTION DETAIL @ PORCH OR LANDING			A520 324



**Michael
Willis
Architects**



MWA JOB #: 200807

REVISION:
- -

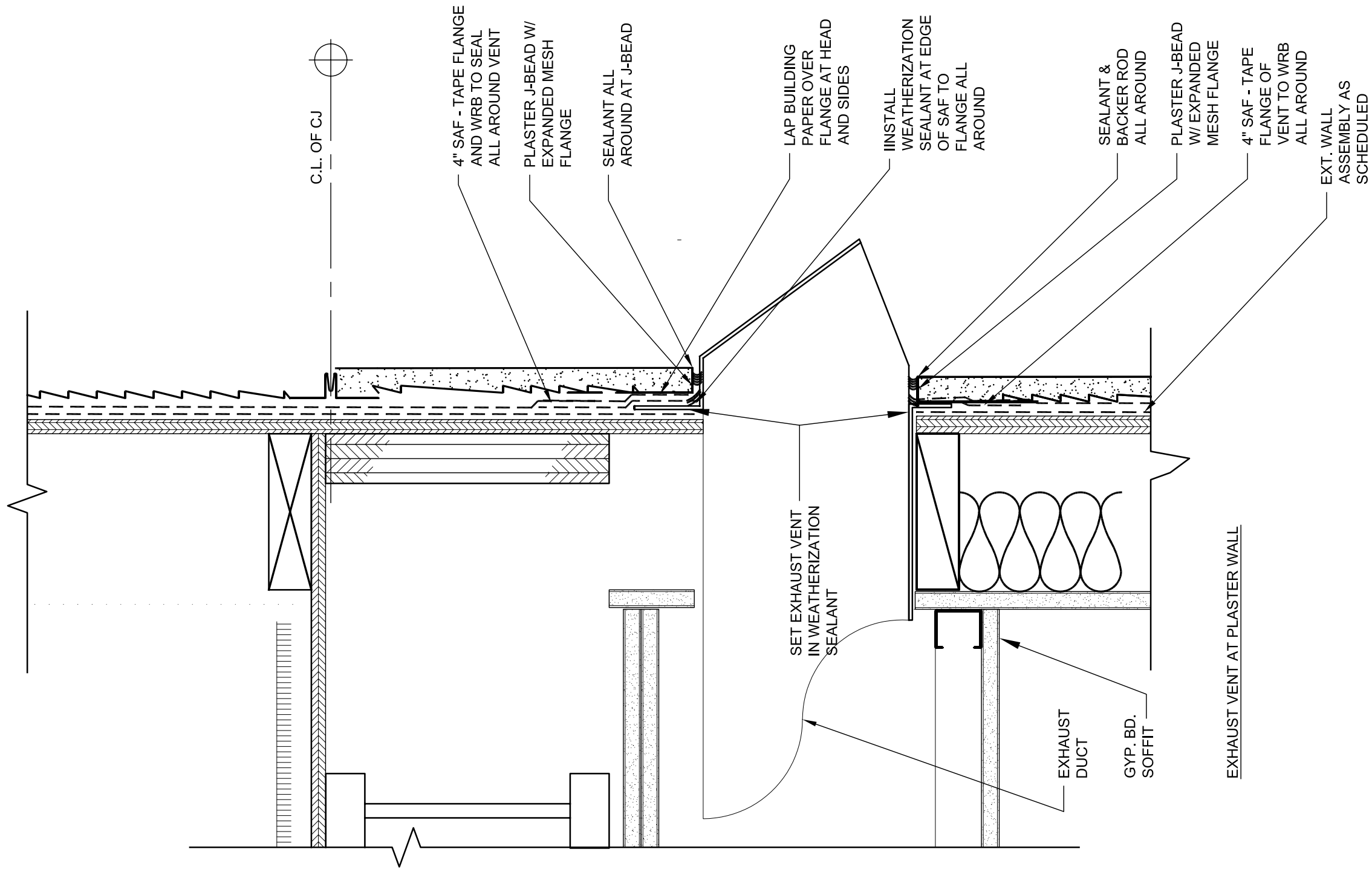
TREME/LAFITTE AND TULANE GRAVIER HOME
BUILDING PLAN
NEW ORLEANS, LOUISIANA

FOUNDATION AT RATED PARTY
WALL

DATE: 10/14/08

SCALE: 3"=1'-0"

A520.331



MWA JOB #: 200807
 REVISION

TREME/LAFITTE AND TULANE GRAVIER HOME BUILDING PLAN

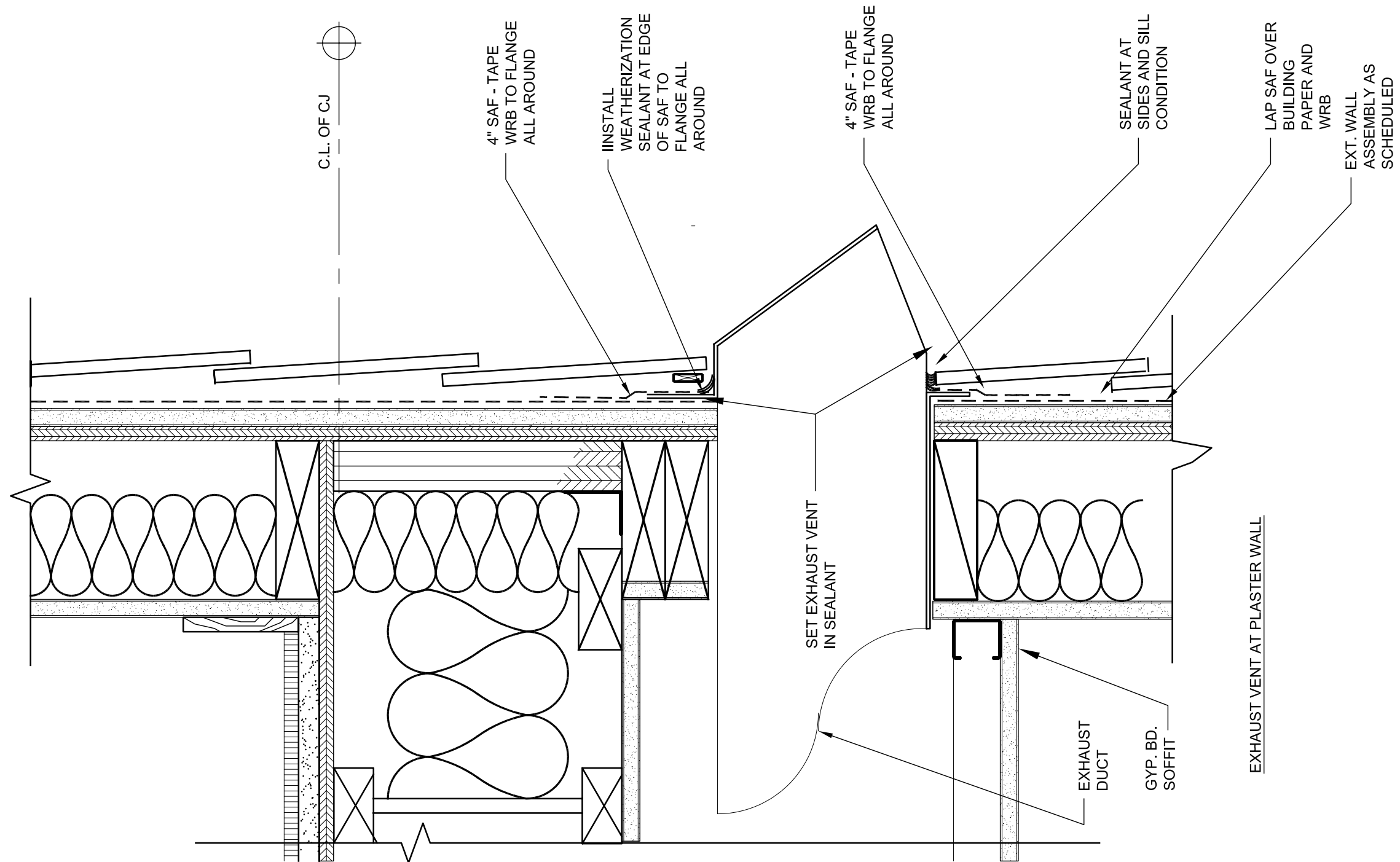
NEW ORLEANS, LOUISIANA

DATE: 10/14/08

SCALE: 3"=1'-0"

SEC.DET. AT VENT AT SIDING

A520-401



MWA JOB #: 200807
 REVISION

TREME/LAFITTE AND TULANE GRAVIER HOME BUILDING PLAN

NEW ORLEANS, LOUISIANA

SECT. DET. AT VENT AT CEMENT
 PLASTER

DATE: 10/14/08

SCALE: 3"=1'-0"

A520-401A