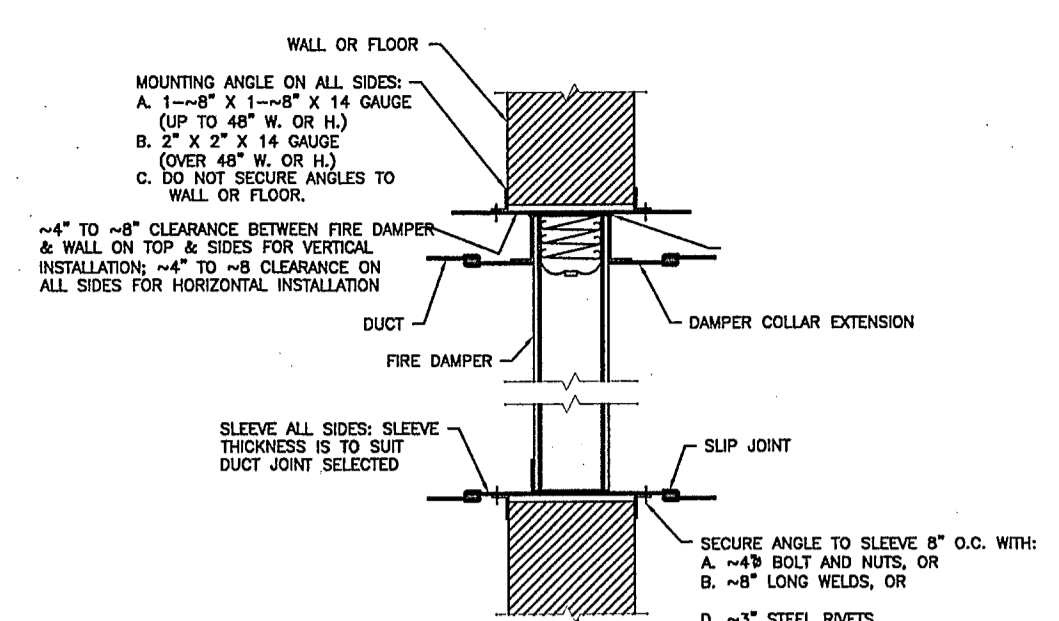
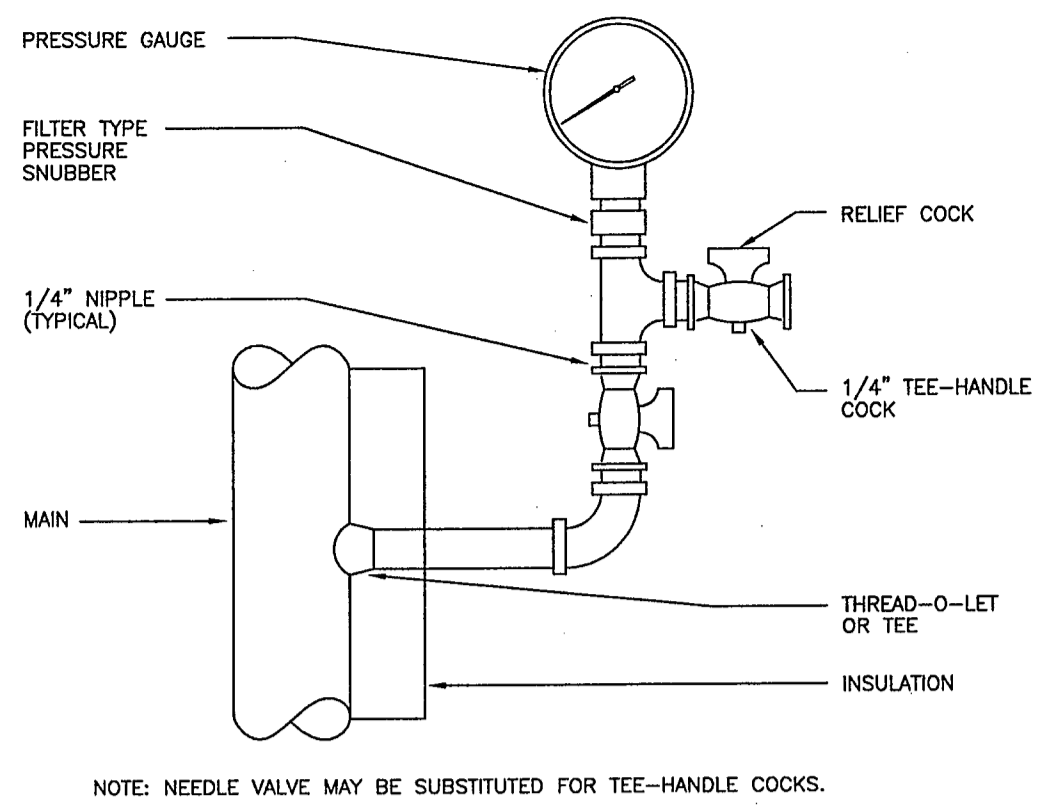


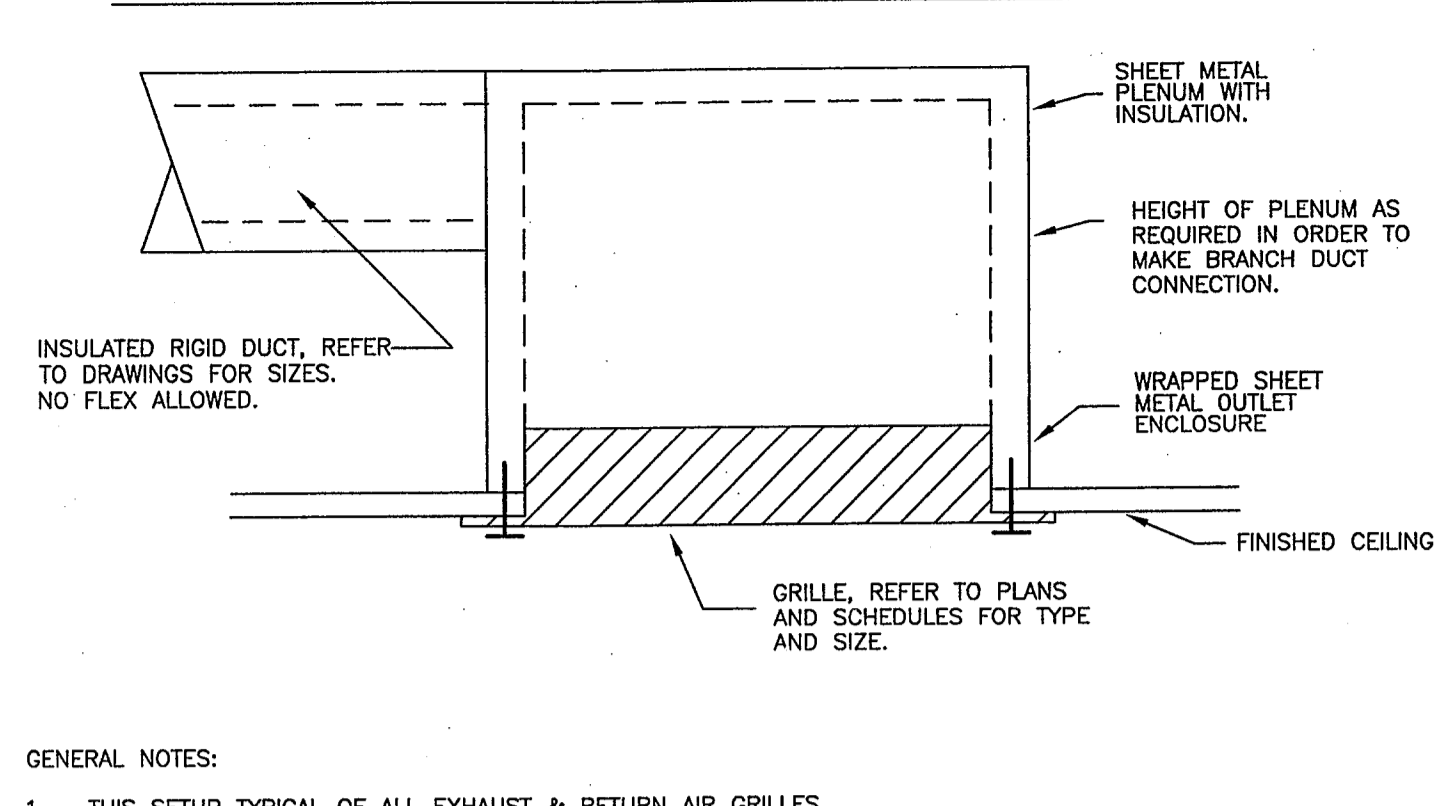
1 DETAIL - FIRE DAMPER, RECT. DUCT, TYP.  
NO SCALE



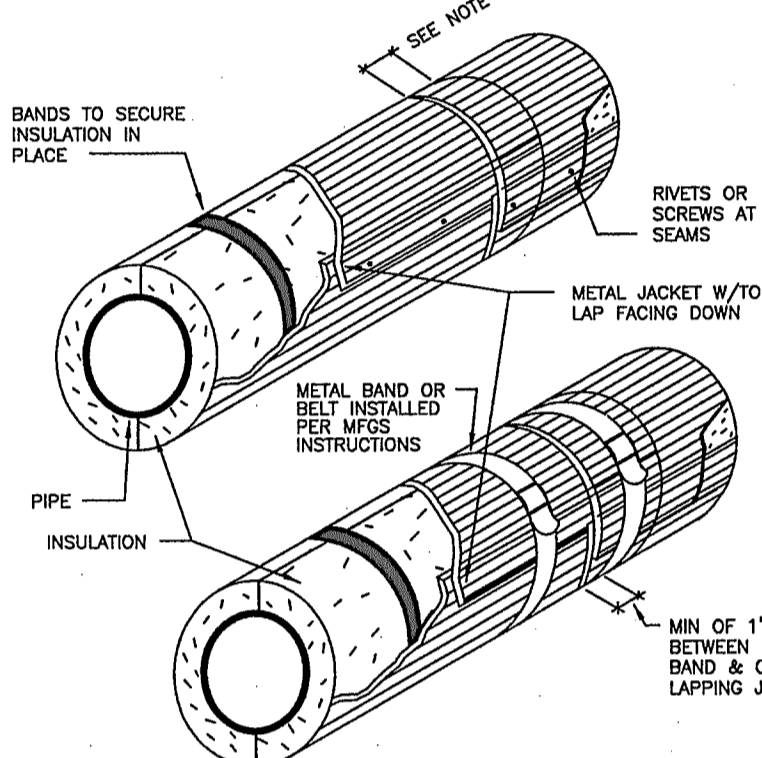
2 DETAIL - FIRE DAMPER, ROUND/OVAL INSTALLATION, TYP.  
NO SCALE



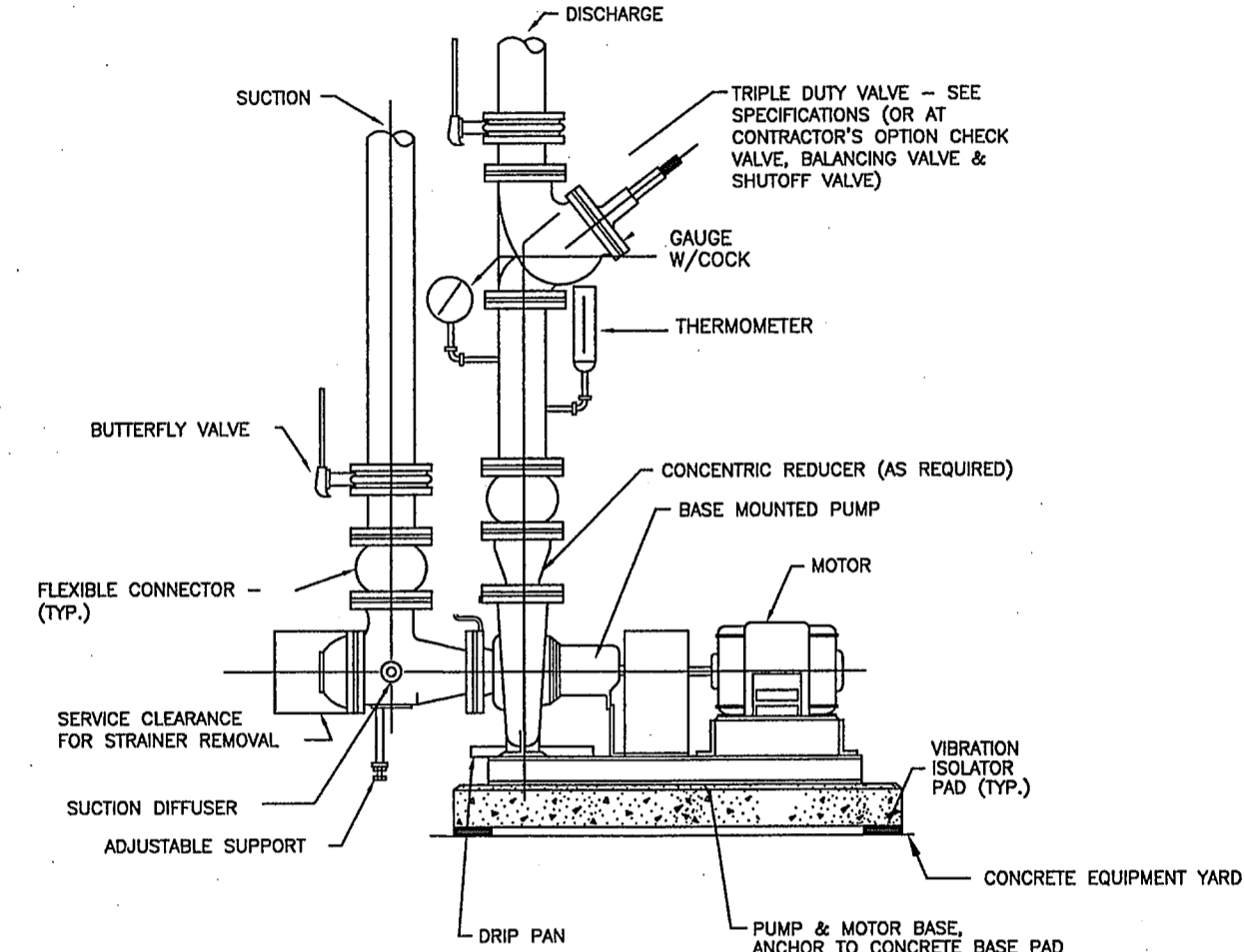
3 DETAILS - PRESSURE GAUGE, TYP.  
NO SCALE



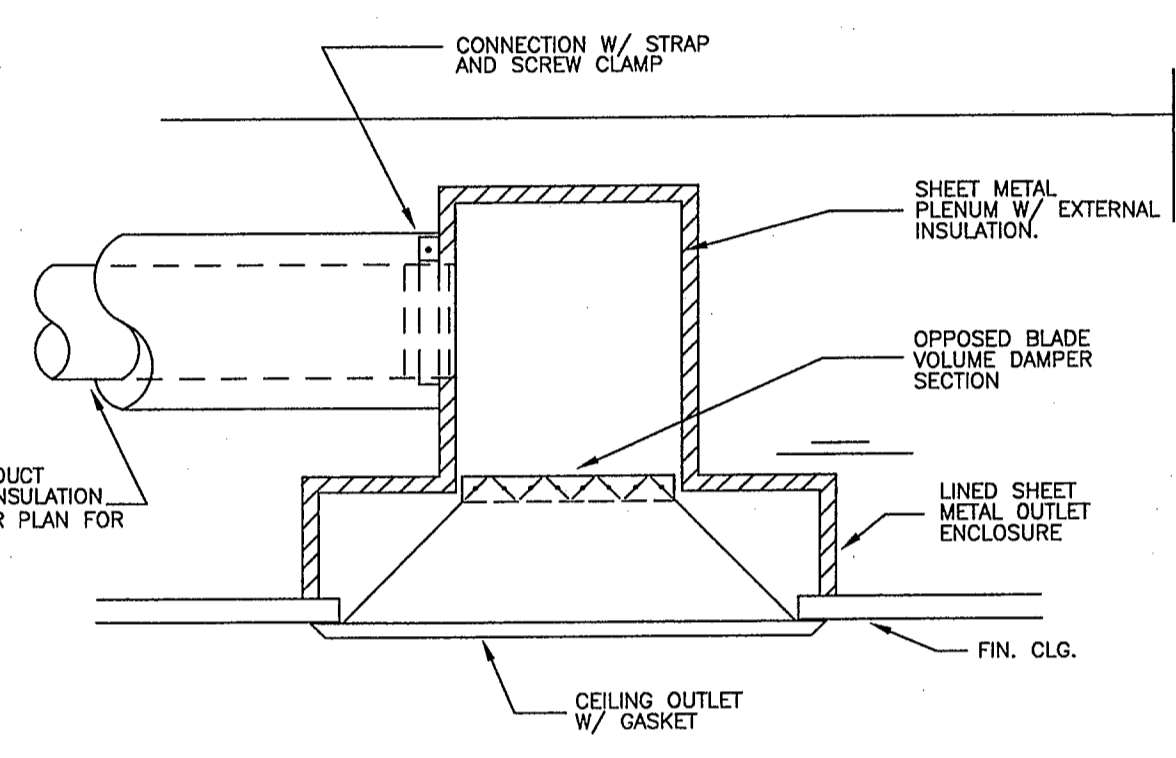
4 DETAIL - PLENUM OF REAR OF E/A, R/A GRILLE  
NO SCALE



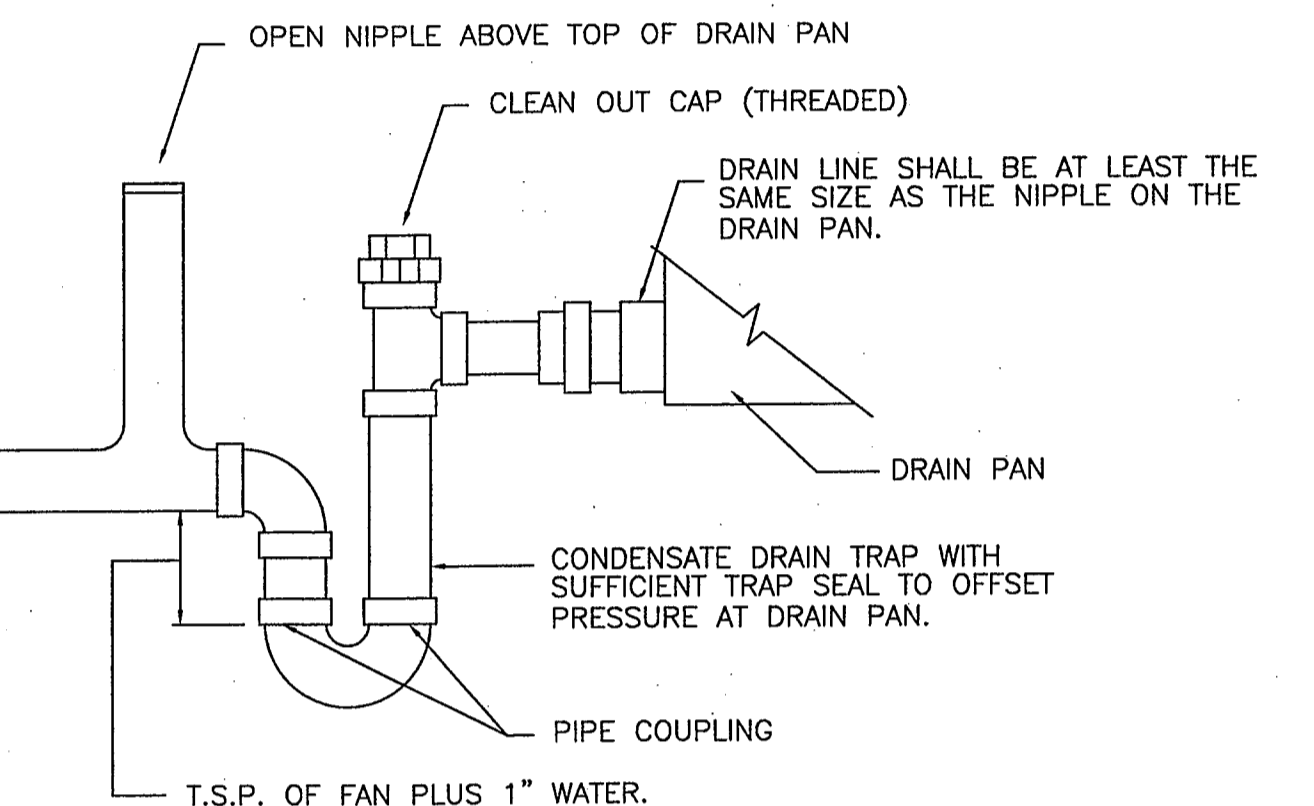
5 DETAILS - EXTERIOR METAL JACKET, TYP.  
NO SCALE



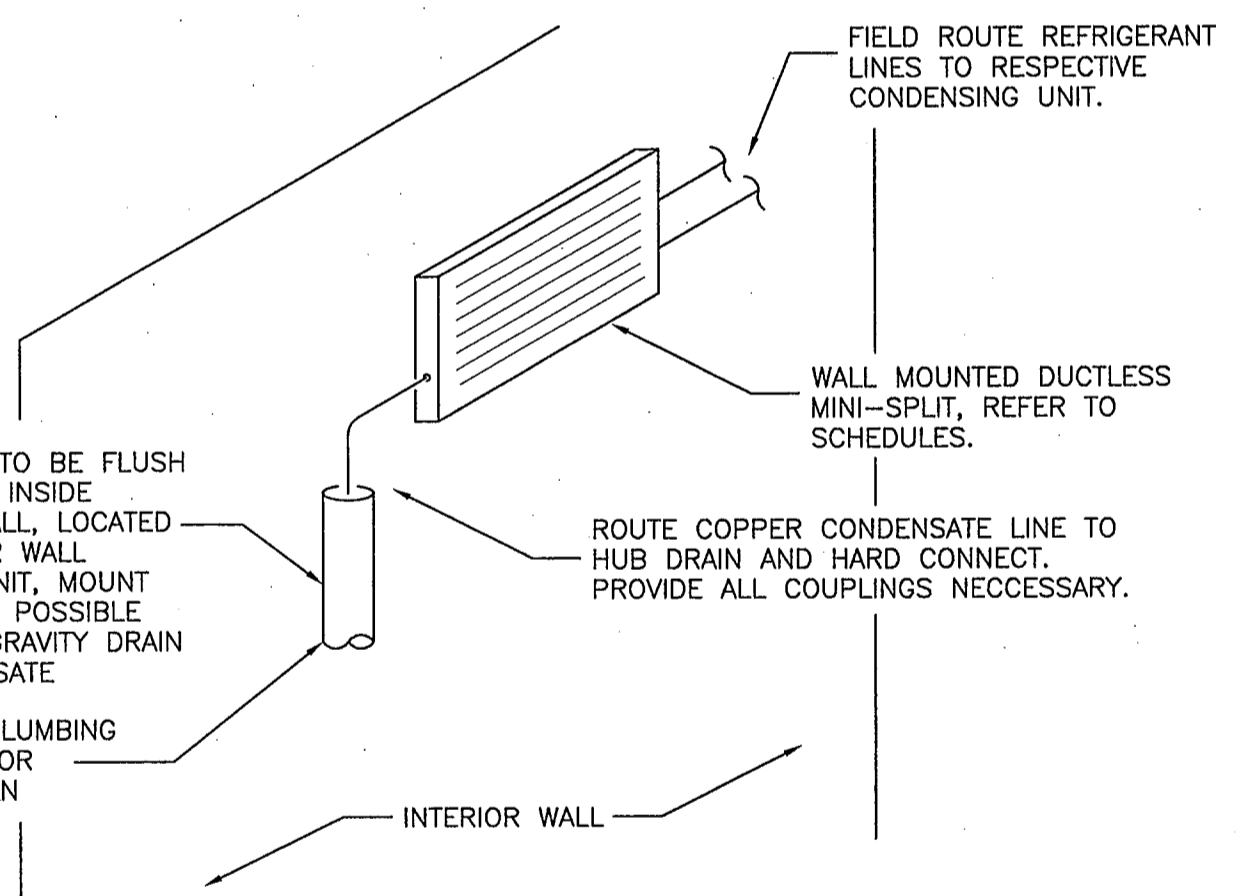
6 DETAILS - END SUCTION PUMP, TYPICAL  
NO SCALE



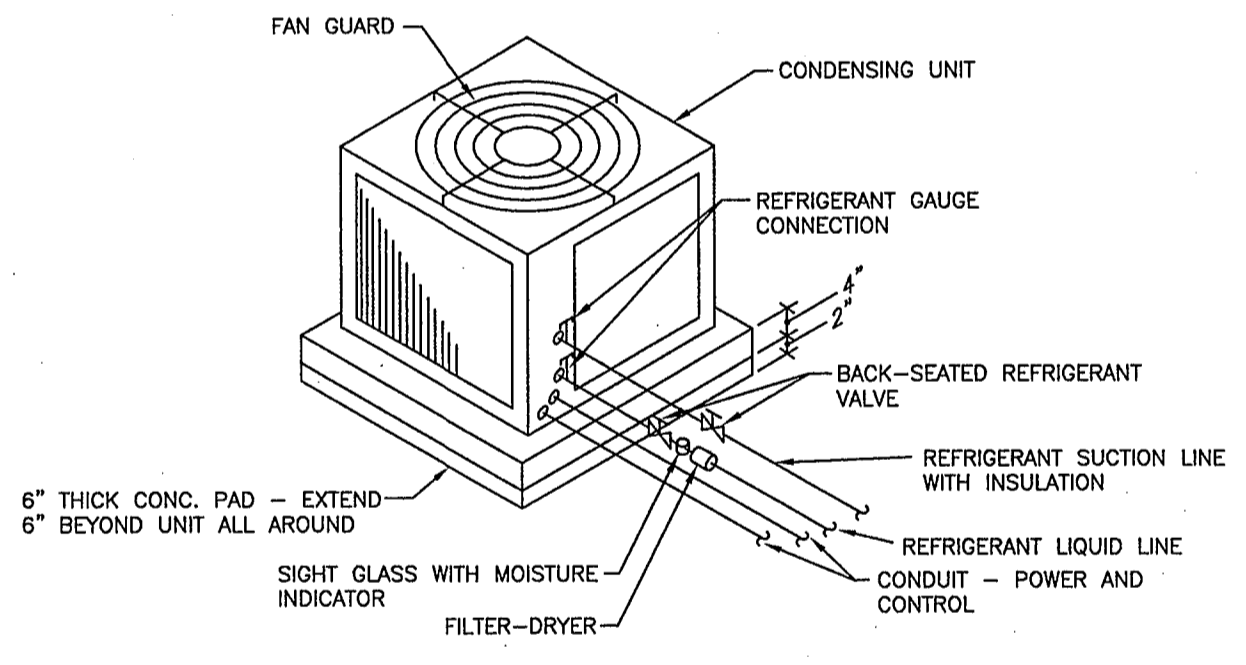
7 DETAIL - PLENUM DIFFUSER TAP CONNECTION  
NO SCALE



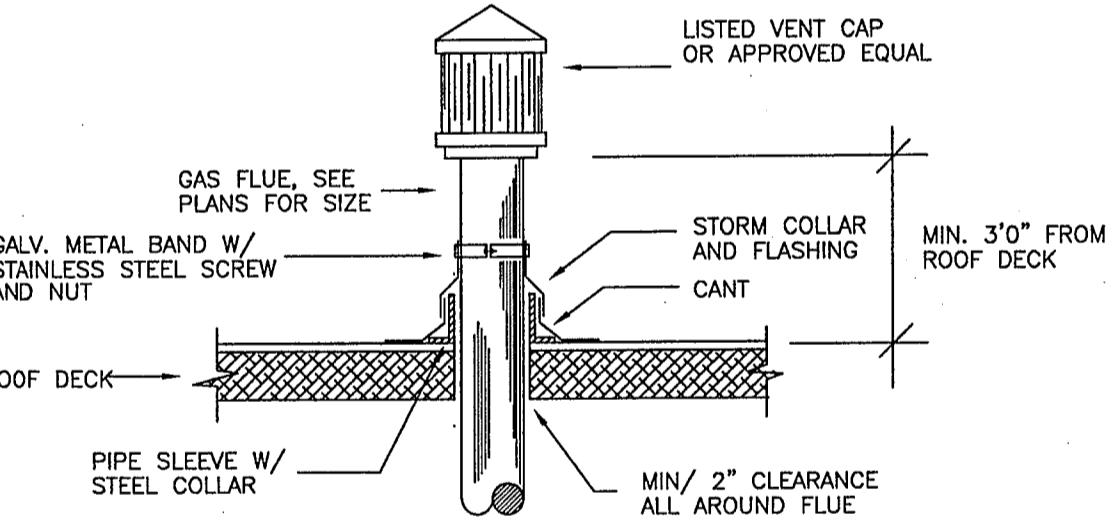
8 DETAIL - CONDENSATE DRAIN TRAP  
NO SCALE



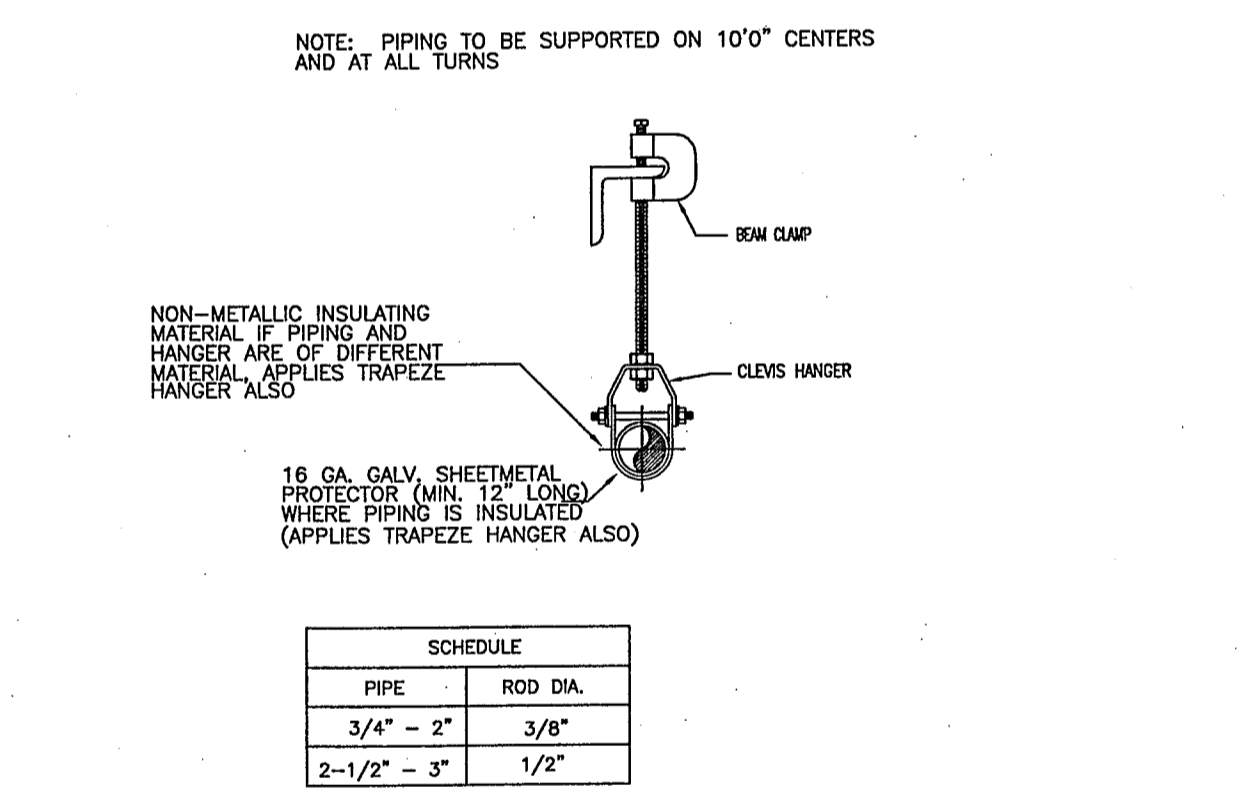
9 DETAIL - DUCTLESS MINI-SPLIT INSTALLATION, TYP.  
NO SCALE



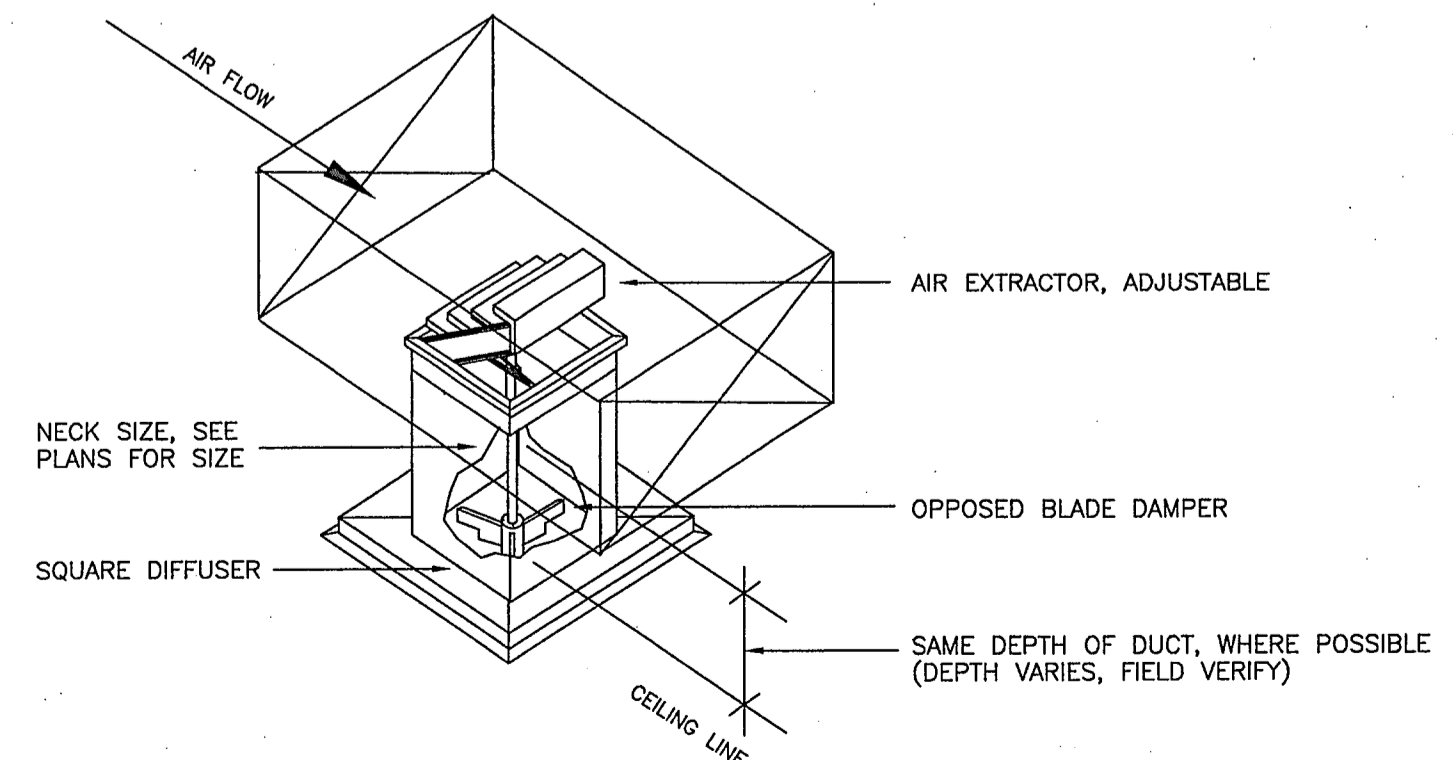
10 DETAIL - TYPICAL CONDENSING UNIT INSTALLATION  
NO SCALE



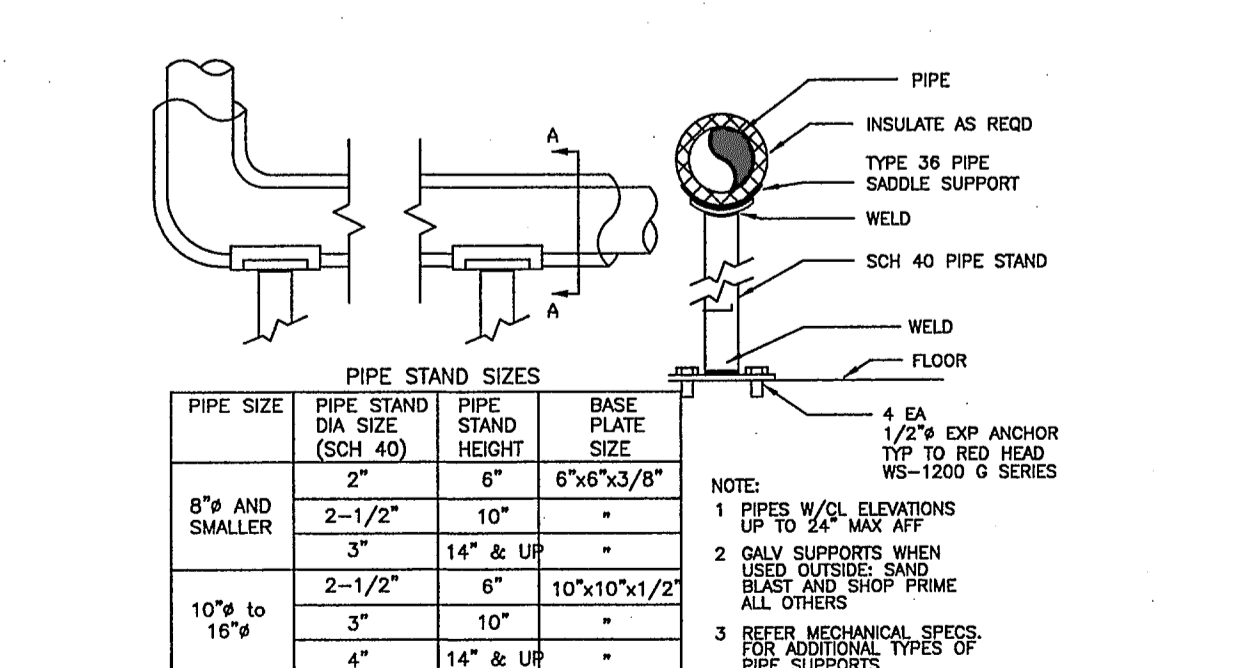
11 DETAIL - GAS FLUE THRU ROOF, TYP.  
NO SCALE



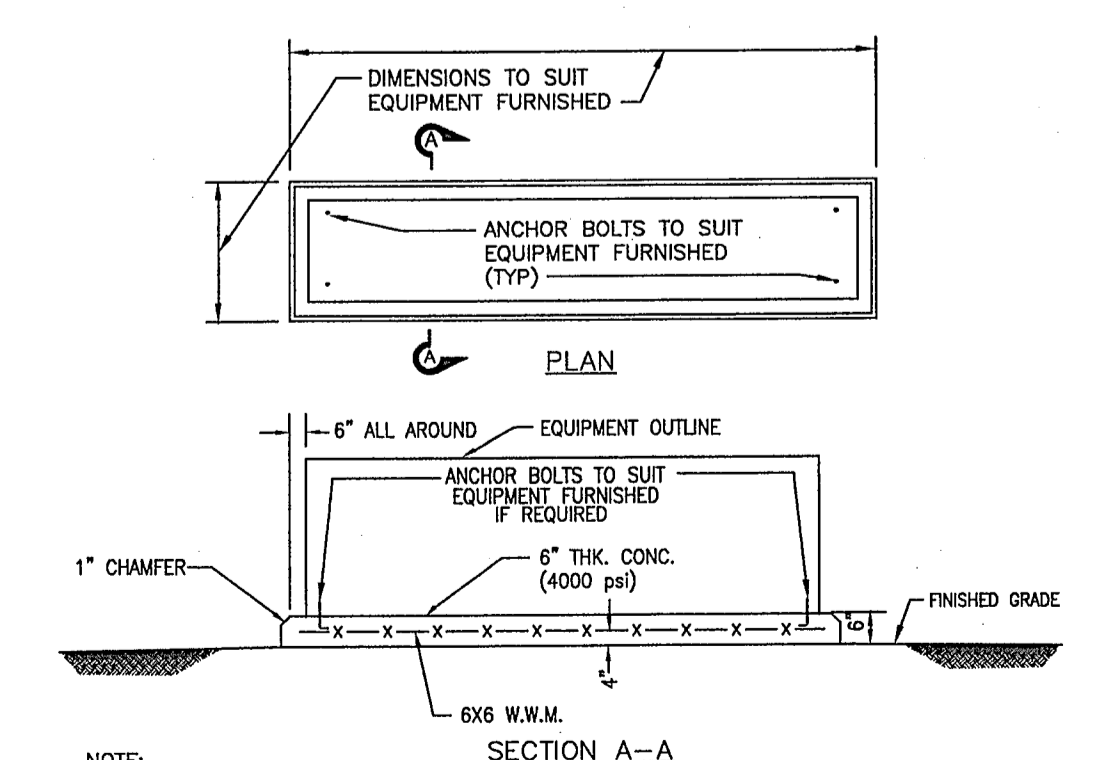
12 DETAILS - PIPE SUPPORTS, TYP.  
NO SCALE



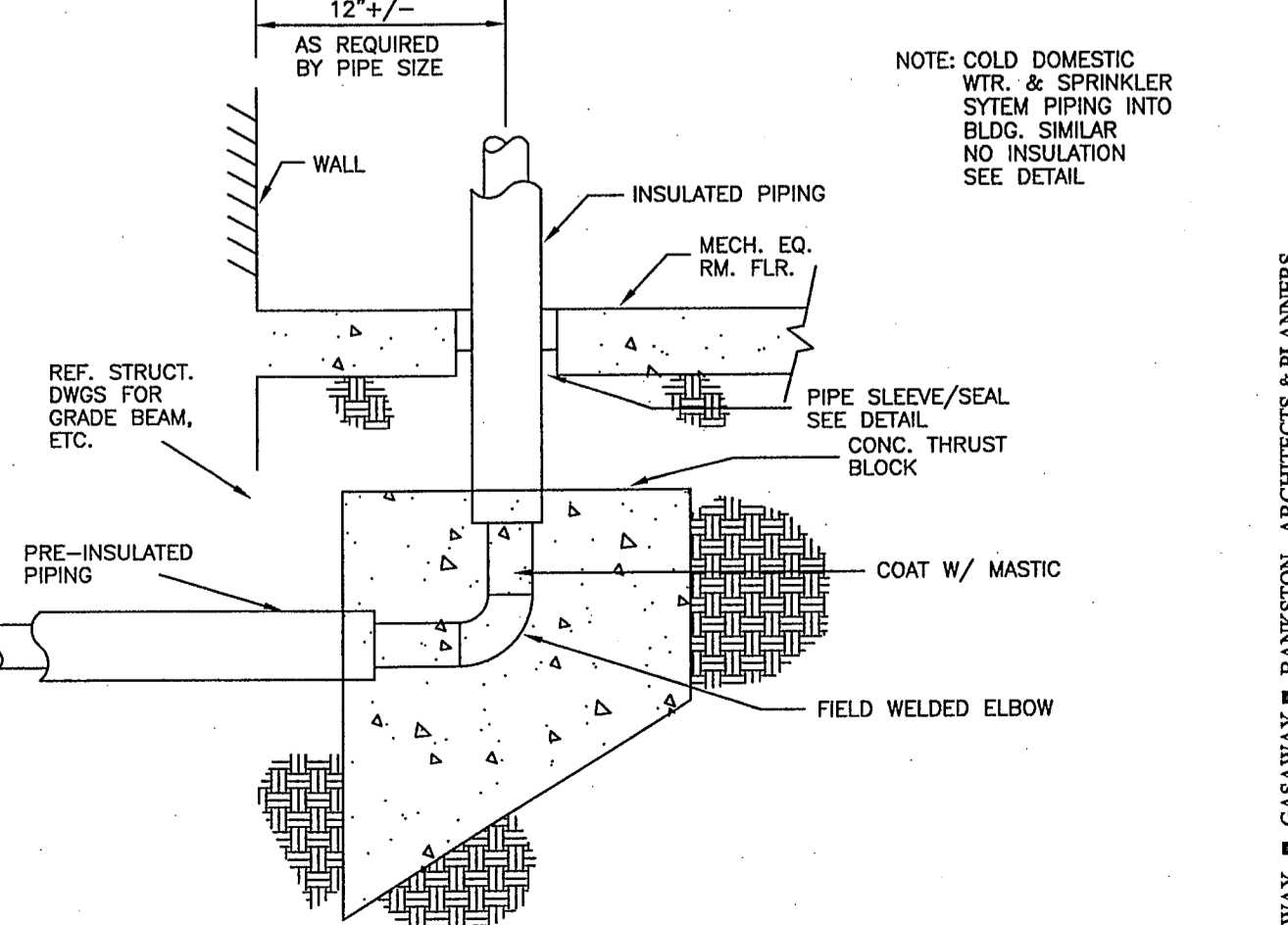
13 DETAIL - RECTANGULAR DIFFUSER DROP  
NO SCALE



14 DETAILS - GROUND PIPE SUPPORTS, TYP.  
NO SCALE



15 DETAILS - CONCRETE EQUIPMENT PAD, TYP.  
NO SCALE



16 DETAILS - PIPE PENETRATION INTO BUILDING, TYP.  
NO SCALE

ANDREW GASAWAY, JR., ARCHITECT, AIA, APA  
BRET GASAWAY, ARCHITECT, AIA, NCARB  
CHRIS BANKSTON, ARCHITECT, AIA, NCARB, LEED AP

GGB  
Gasaway | Bankston  
Architects + Planners  
1007 W. THOMAS ST., SUITE G  
HAMMOND, LA 70401  
985.346.5047  
FAX 985.346.5040

JOSEPH B. LANCASTER  
ELEMENTARY SCHOOL  
ST. TAMMANY PARISH SCHOOL BOARD  
MADISONVILLE, LOUISIANA  
STPSB PROJECT #0825

THIS DRAWING IS AN INSTRUMENT OF SERVICE, IS AND SHALL REMAIN THE PROPERTY OF THE ARCHITECT AND SHALL NOT BE REPRODUCED, PUBLISHED OR USED IN ANY WAY WITHOUT THE EXPRESS PERMISSION OF THE ARCHITECT.

PROJ. NO. 0825  
DATE 06.25.09

REVISIONS  
NO. 1  
DATE 06.25.09  
BY HENRY EYRE, JR.  
PROJECT ENGINEER  
REGISTERED PROFESSIONAL ENGINEER  
STATE OF LOUISIANA  
NO. 10602

M602