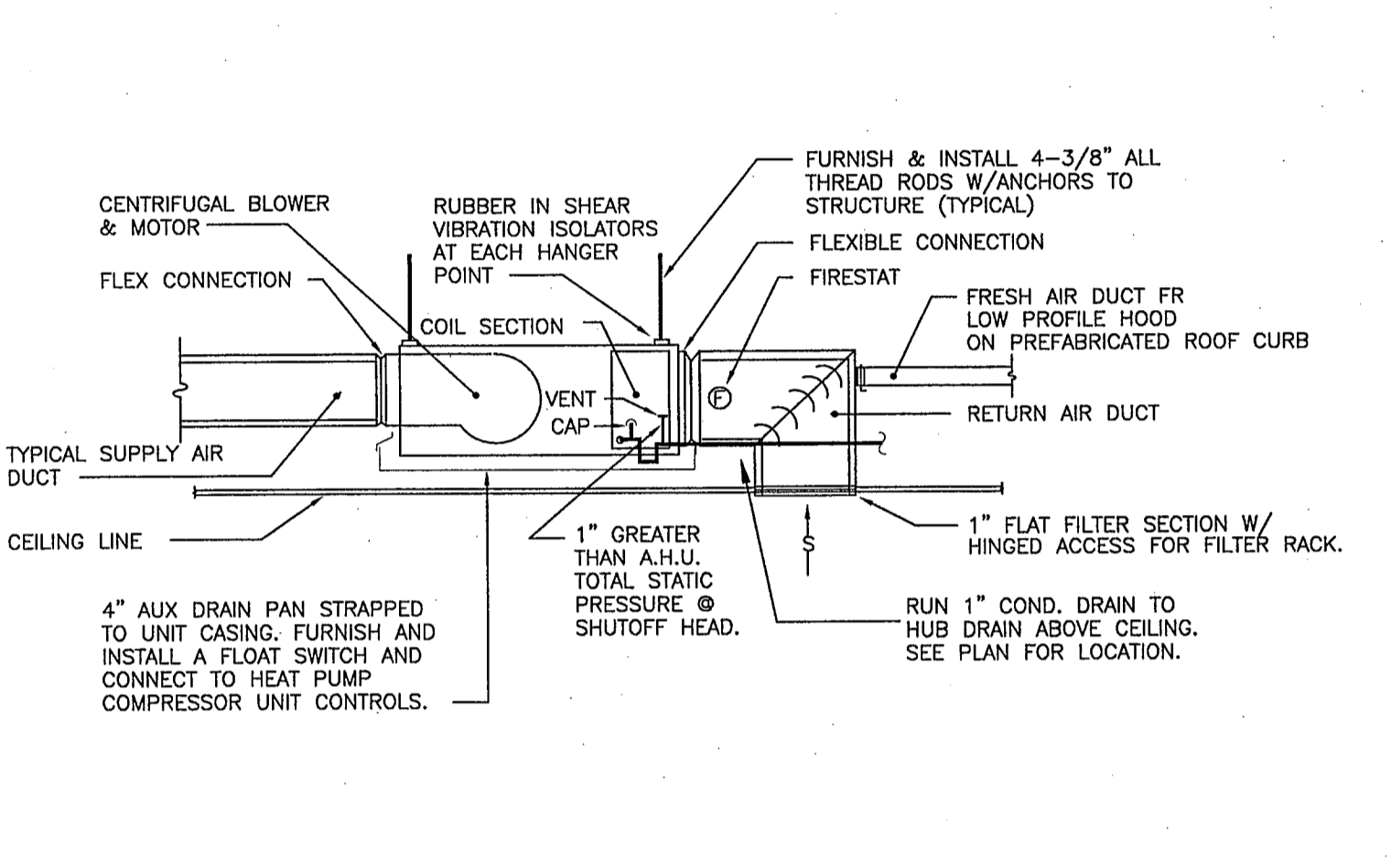
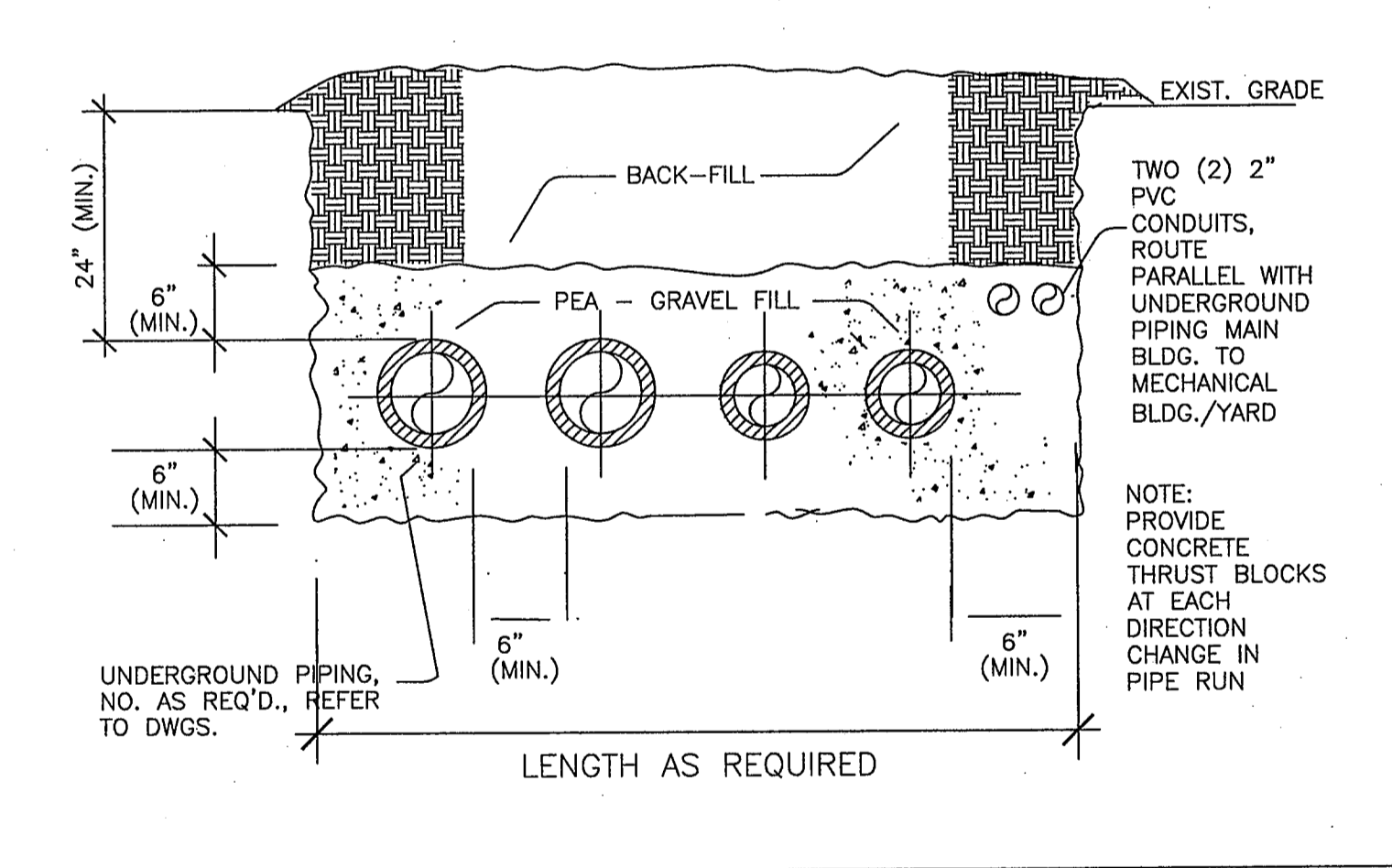


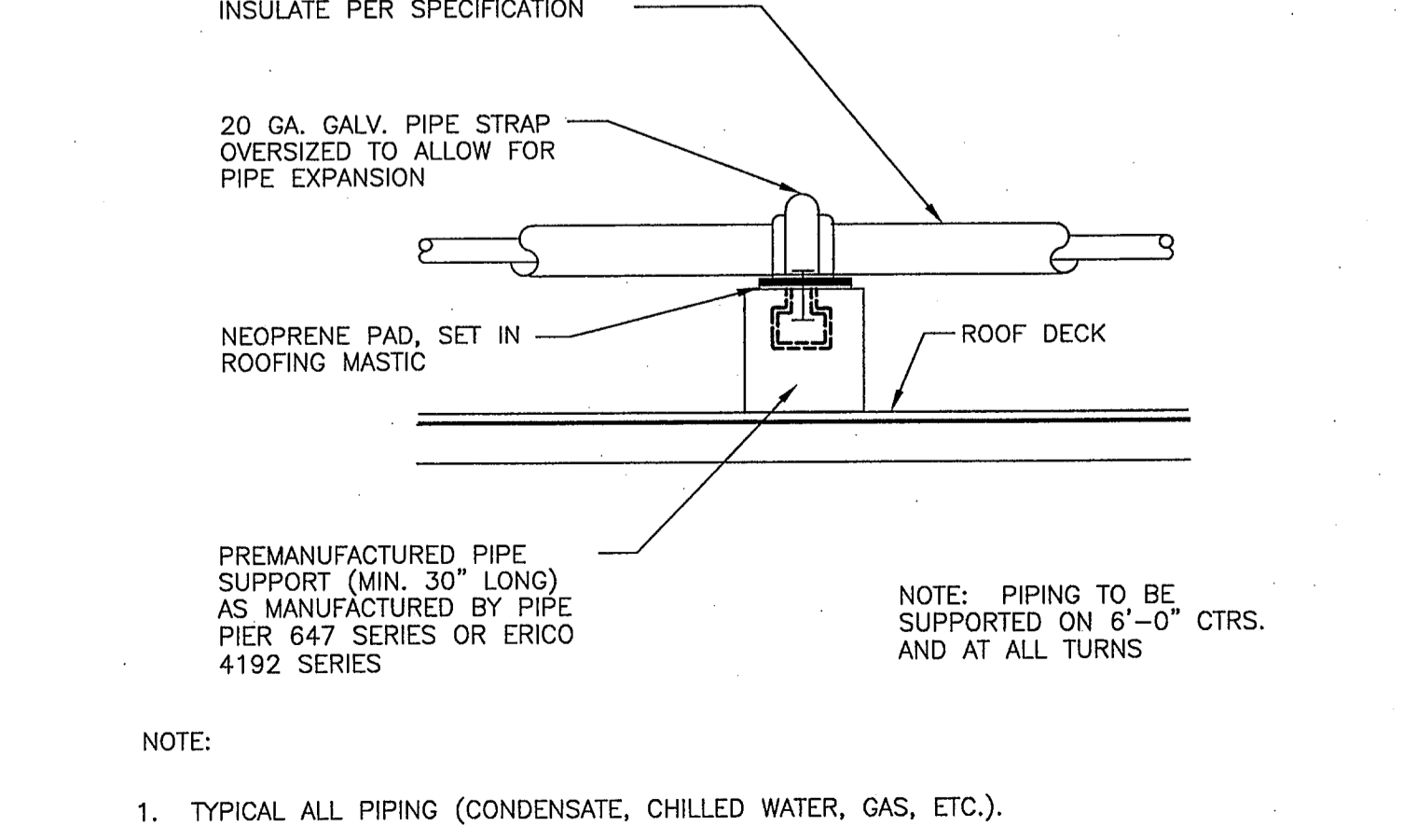
1 DETAILS - TAKEOFF TO LINEAR DIFFUSER, TYP
NO SCALE



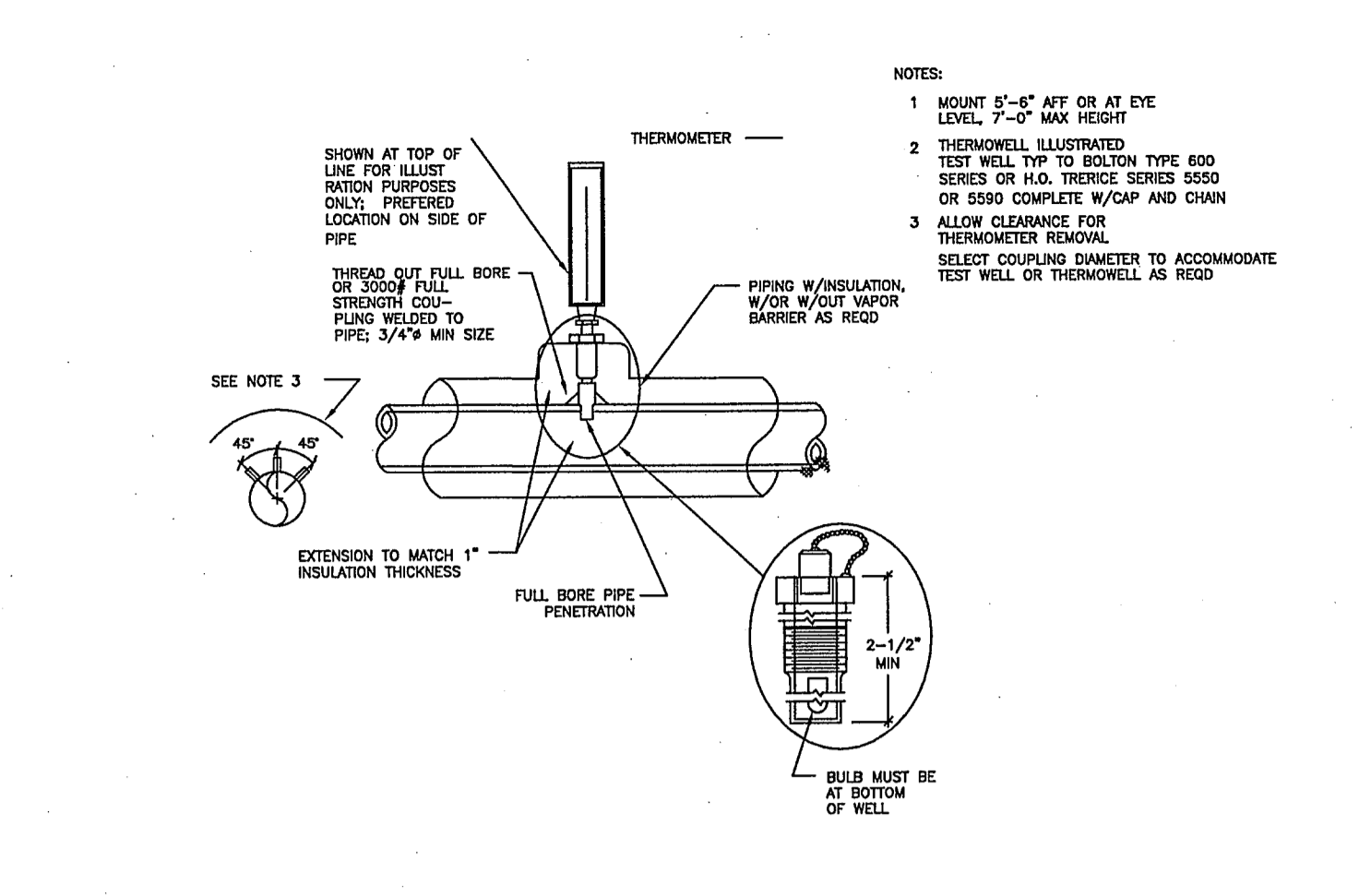
5 DETAILS - AIR HANDLING UNIT, AHU-14
NO SCALE



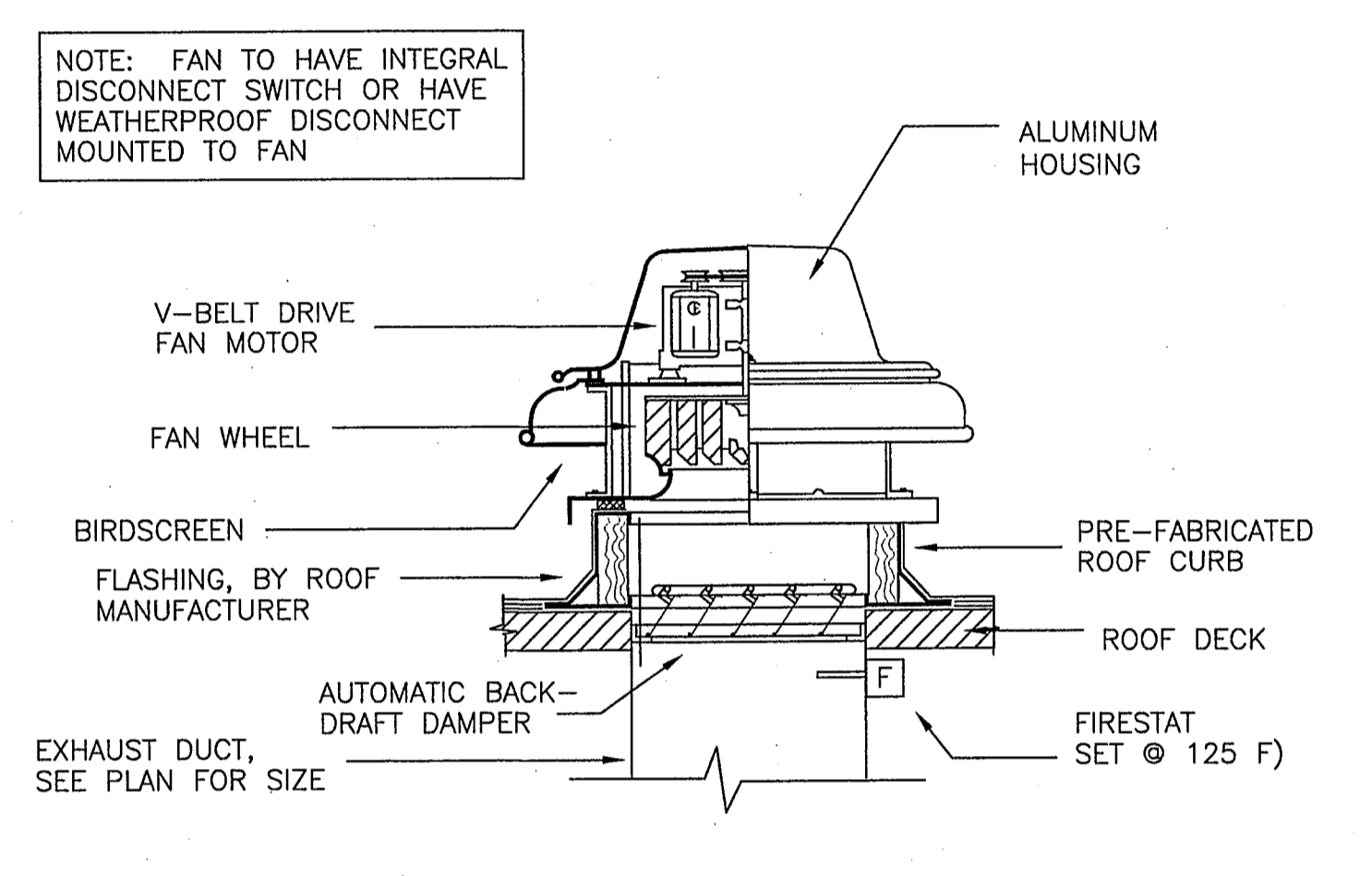
9 DETAILS - PIPE TRENCH, TYPICAL
NO SCALE



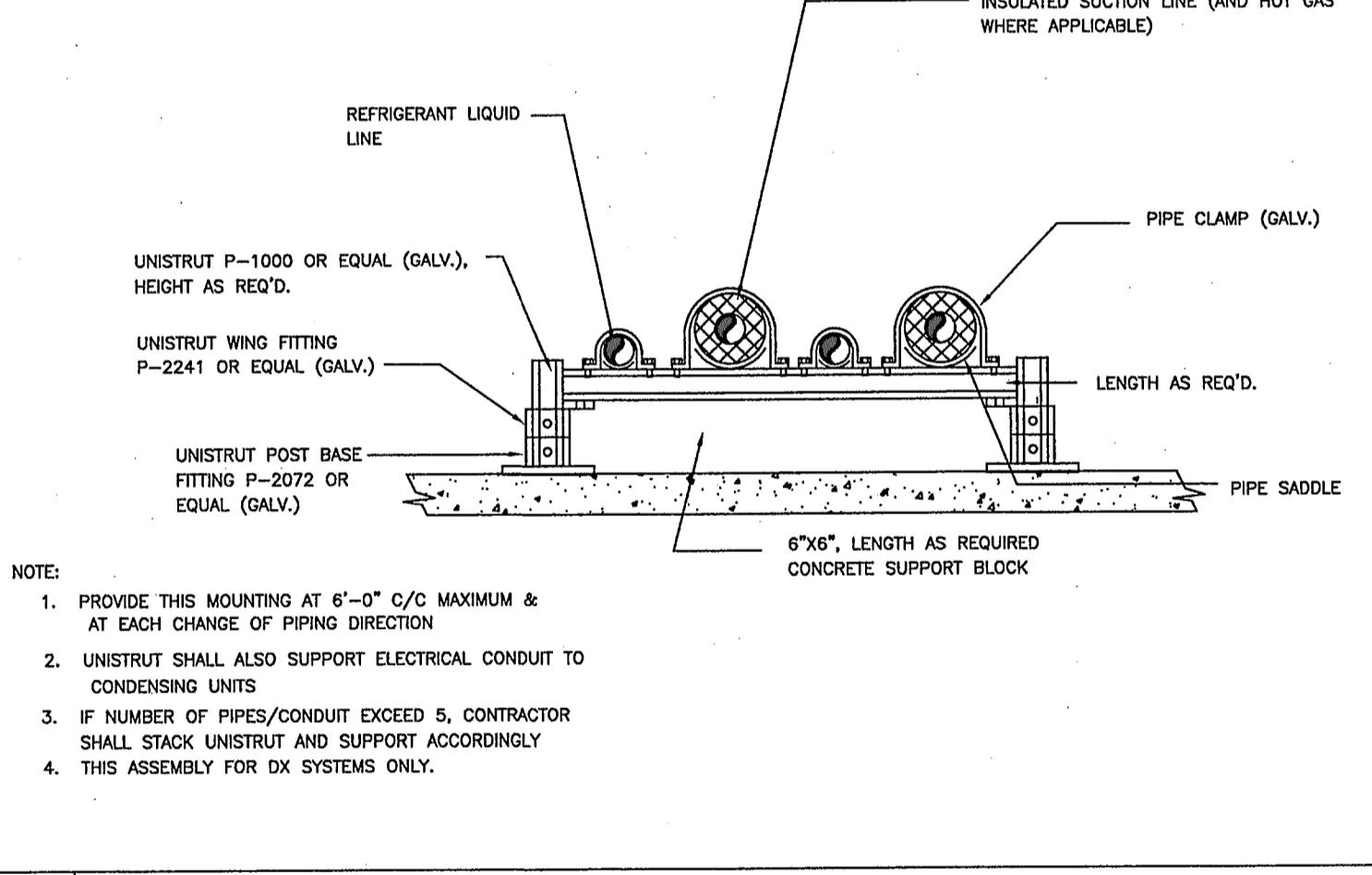
11 DETAILS - ROOF PIPE SUPPORTS, TYP.
NO SCALE



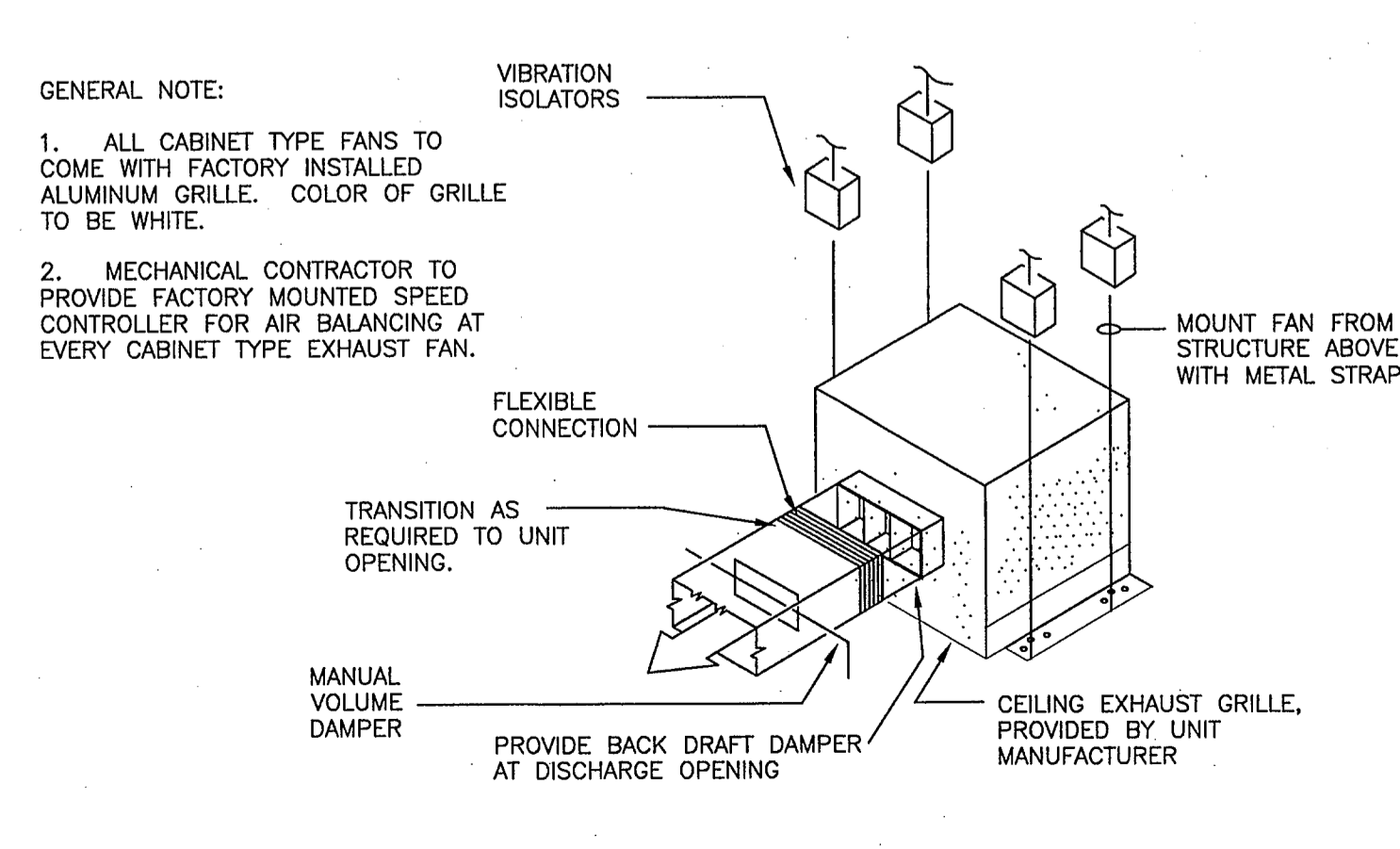
2 DETAILS - THERMOMETER / THERMOWELL
NO SCALE



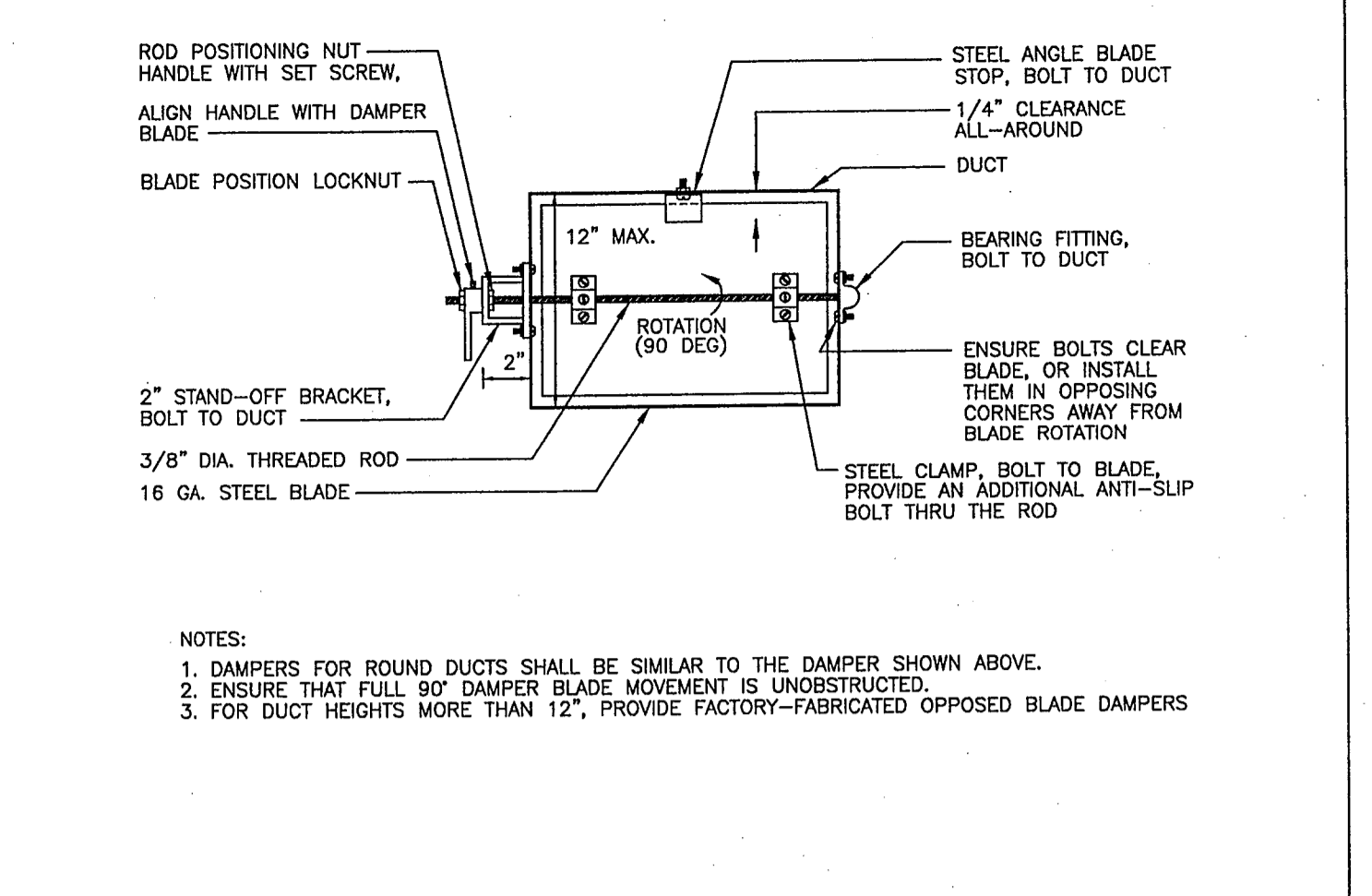
6 DETAILS - ROOF MOUNT EXHAUST FAN, TYP.
NO SCALE



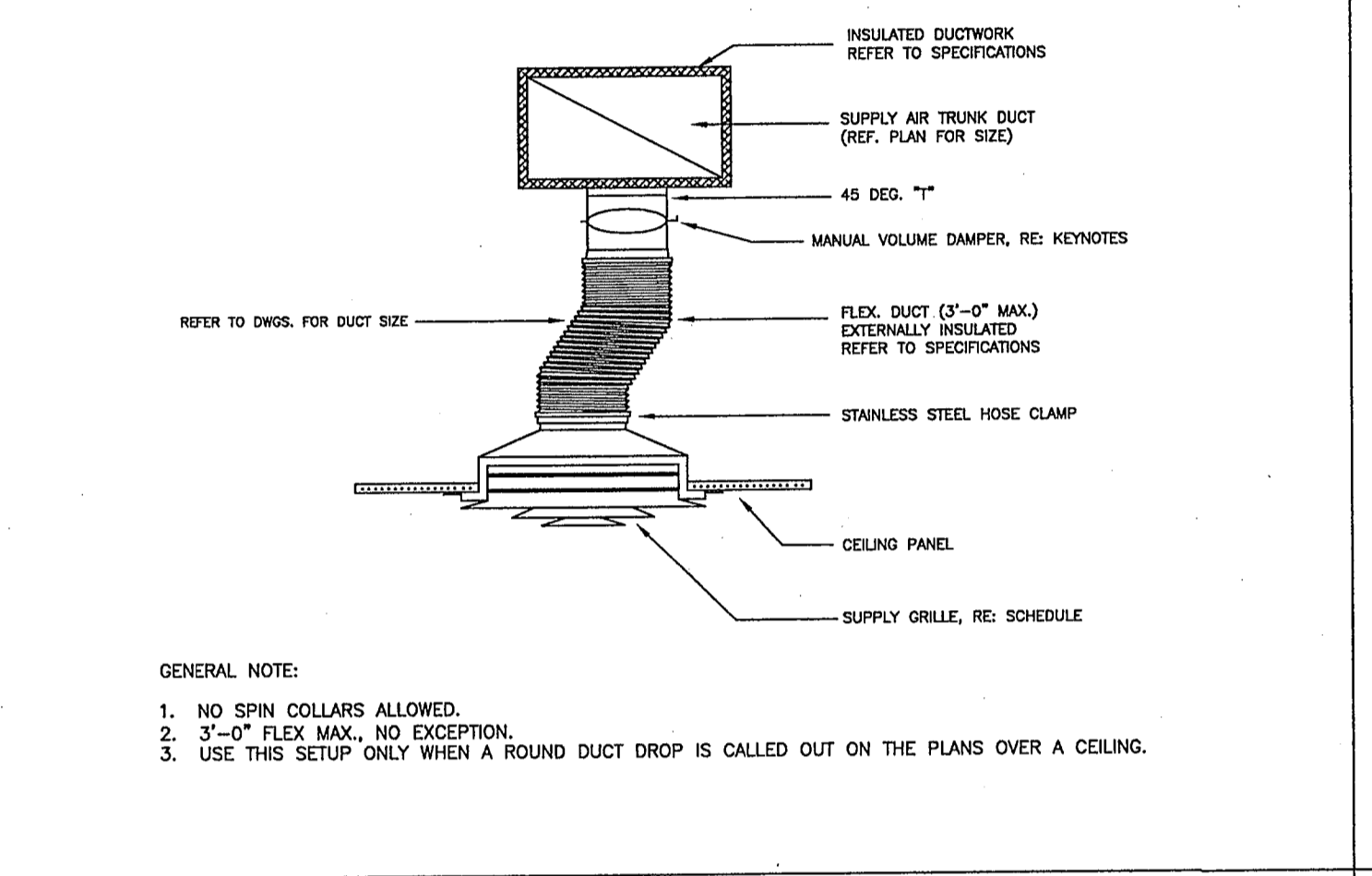
10 DETAILS - REFRIGERANT PIPE SUPPORT
NO SCALE



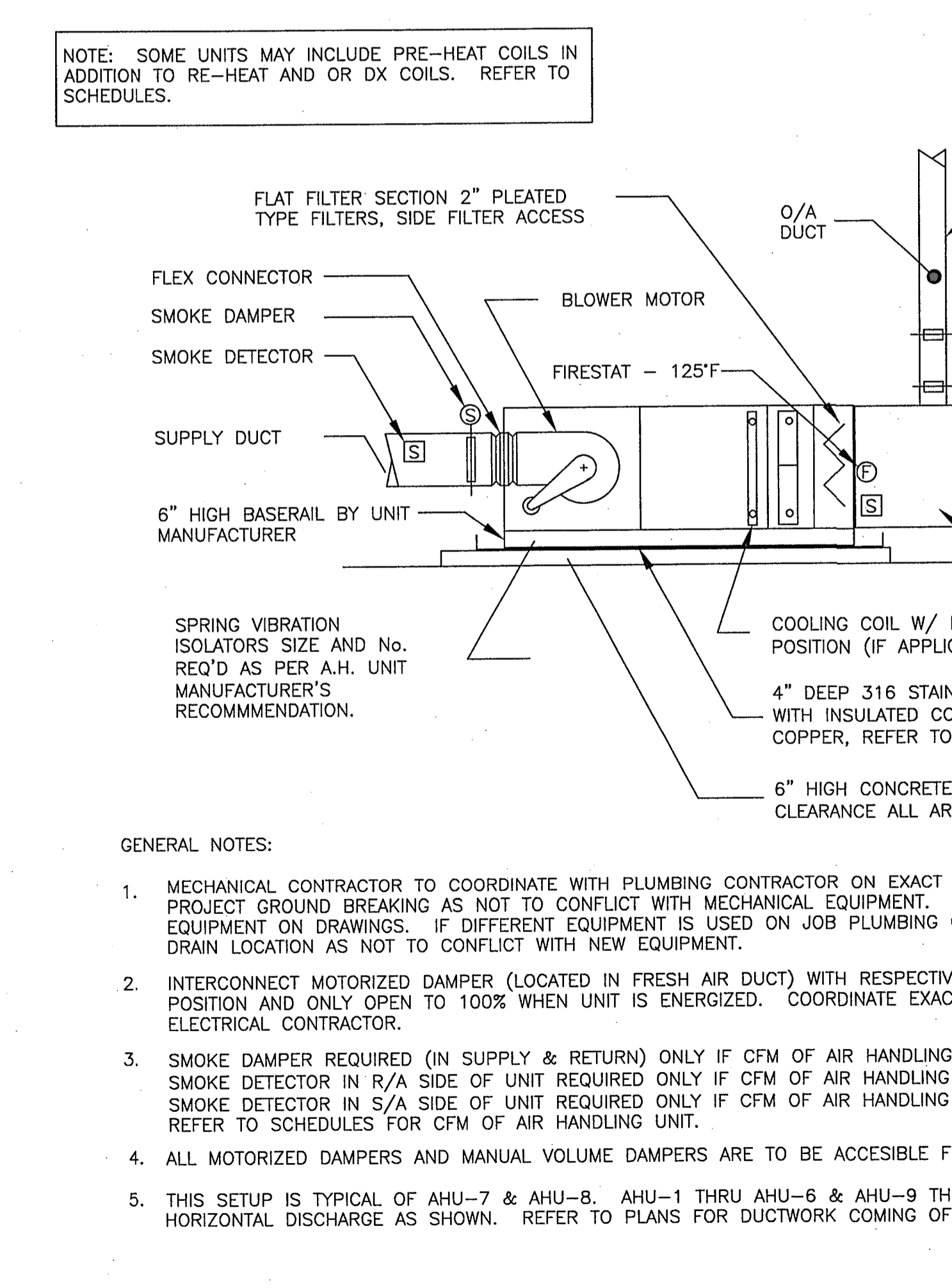
12 DETAILS - CABINET TYPE EXHAUST FAN, TYP.
NO SCALE



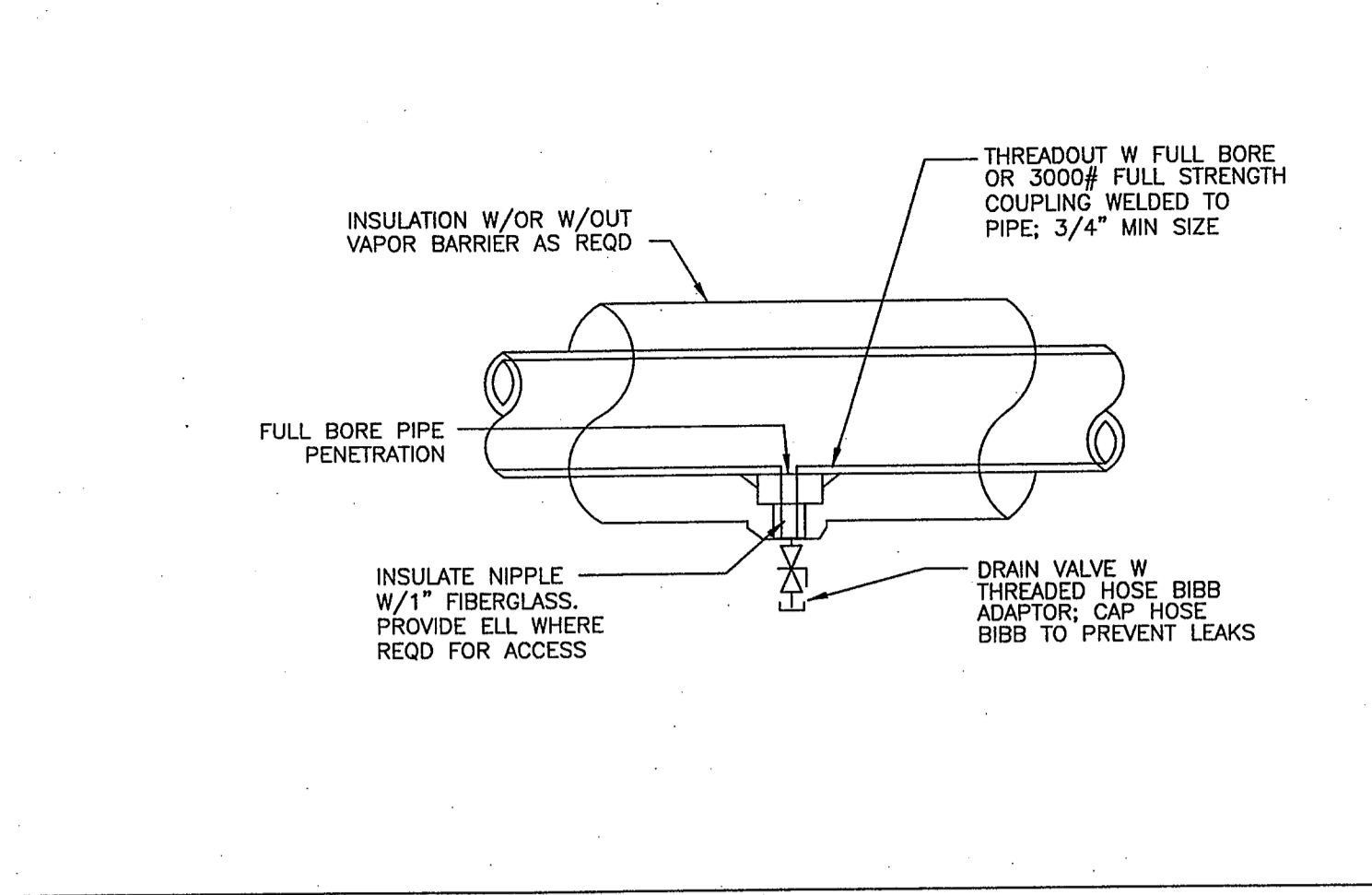
3 DETAIL - MANUAL VOLUME DAMPER, TYP.
NO SCALE



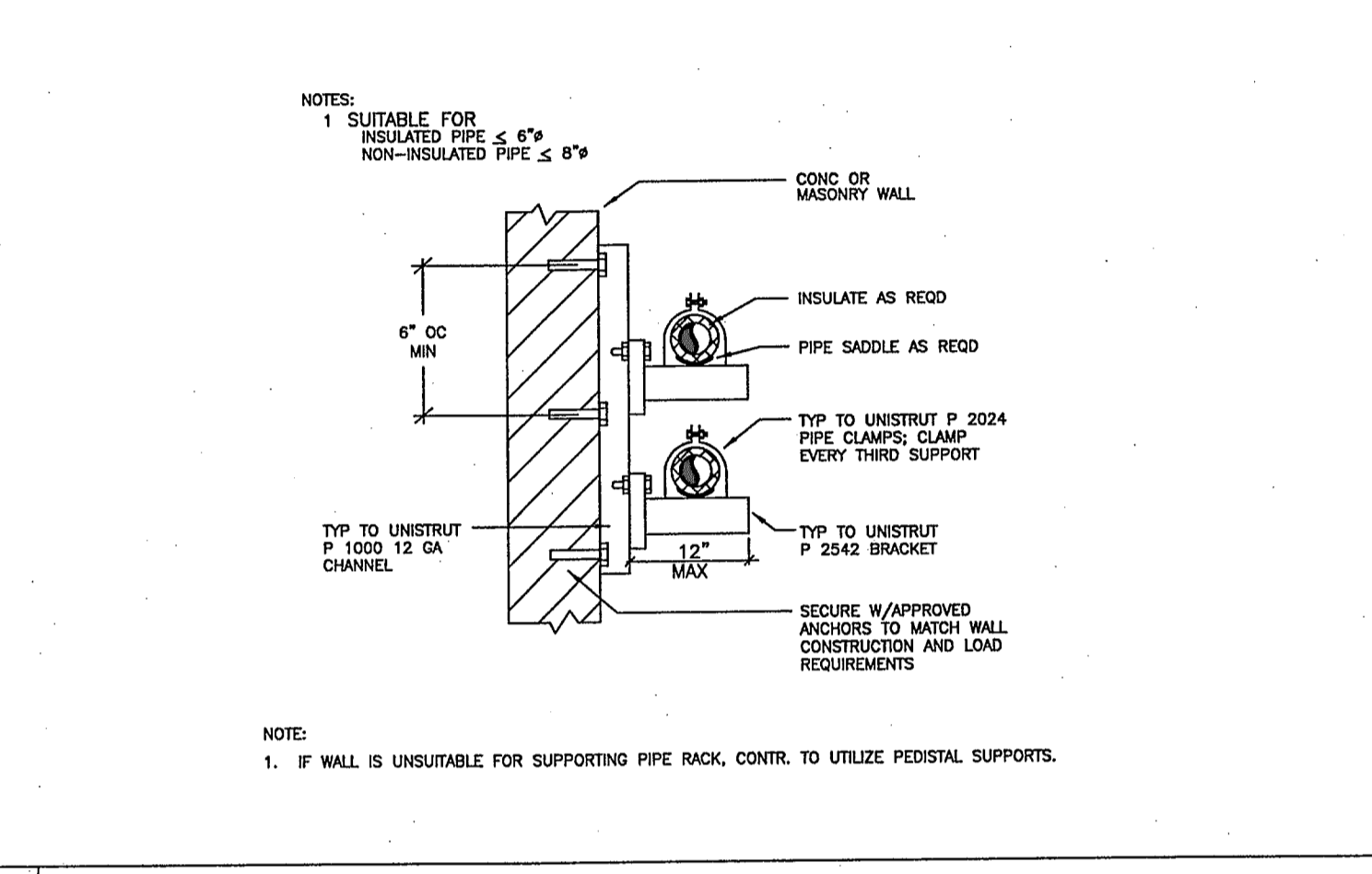
7 DETAILS - SUPPLY AIR DUCT TO DIFFUSER, TYP.
NO SCALE



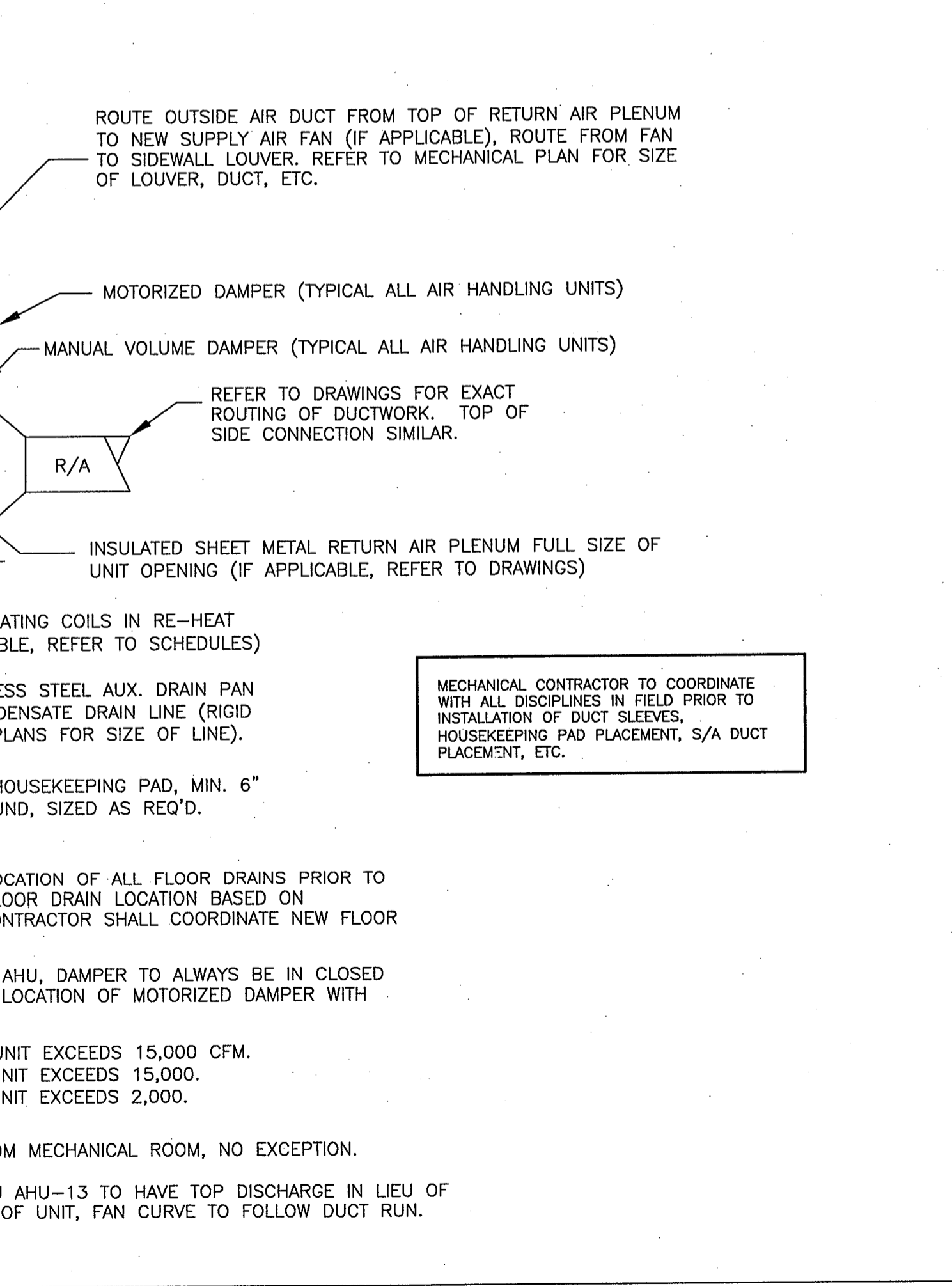
13 DETAILS - AIR HANDLING UNIT, TYPICAL
NO SCALE



4 DETAILS - DRAIN VALVE INSTALLATION, TYP
NO SCALE



8 DETAILS - WALL SUPPORTED PIPE RACK, TYP
NO SCALE



10 DETAILS - REFRIGERANT PIPE SUPPORT
NO SCALE

ANDREW GASAWAY, JR., ARCHITECT, AIA, APA
 BRET GASAWAY, ARCHITECT AIA, NCARB
 CHRIS BANKSTON, ARCHITECT, AIA, NCARB, LEED AP

GGBP
 Gasaway | Gasaway | Bankston
 Architects + Planners
 1007 W. THOMAS ST., SUITE G
 HAMMOND, LA 70401
 985.345.5047
 FAX 985.345.5060

JOSEPH B. LANCASTER
 ELEMENTARY SCHOOL
 ST. TAMMANY PARISH SCHOOL BOARD
 MADISONVILLE, LOUISIANA
 STPSB PROJECT #0825

THIS DRAWING IS AN INSTRUMENT OF SERVICE, IS AND SHALL REMAIN THE PROPERTY OF THE ARCHITECT AND SHALL NOT BE REPRODUCED, PUBLISHED OR USED IN ANY WAY WITHOUT THE EXPRESS PERMISSION OF THE ARCHITECT.

PROJ. NO. 0825
 DATE 06.25.09
 REVISIONS

© GASAWAY ■ BANKSTON ■ ARCHITECTS & PLANNERS
 PROFESSIONAL OF RECORD

STATE OF LOUISIANA
 HENRI MAEYRE, JR.
 No. 11166
 19602
 PROFESSIONAL ENGINEER
 MECHANICAL ENGINEER

M604