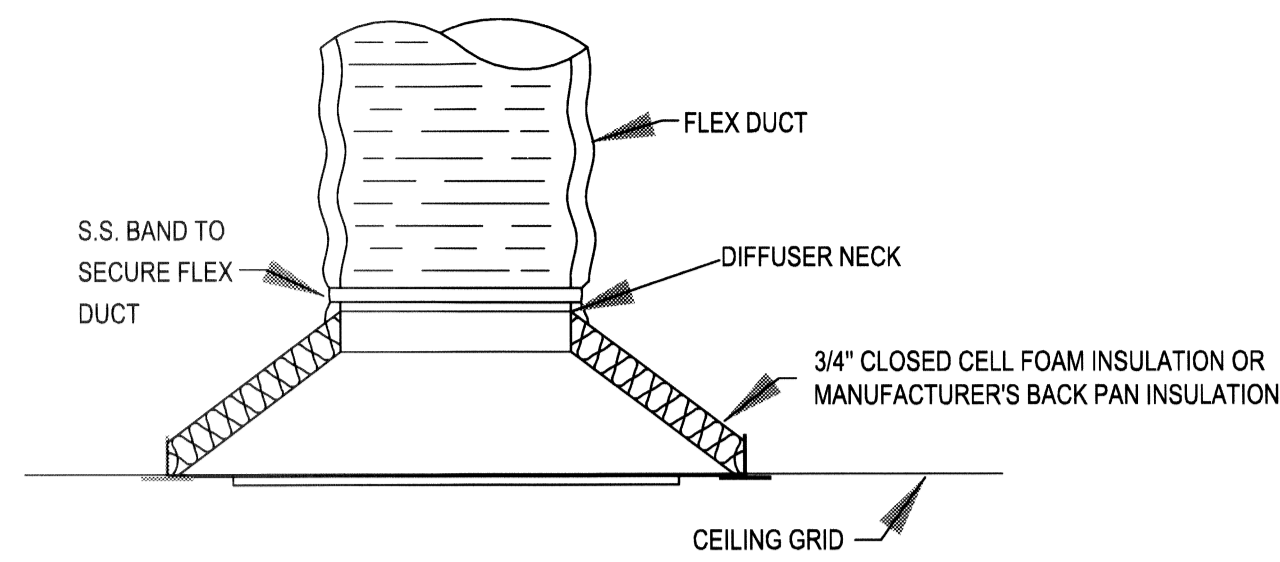
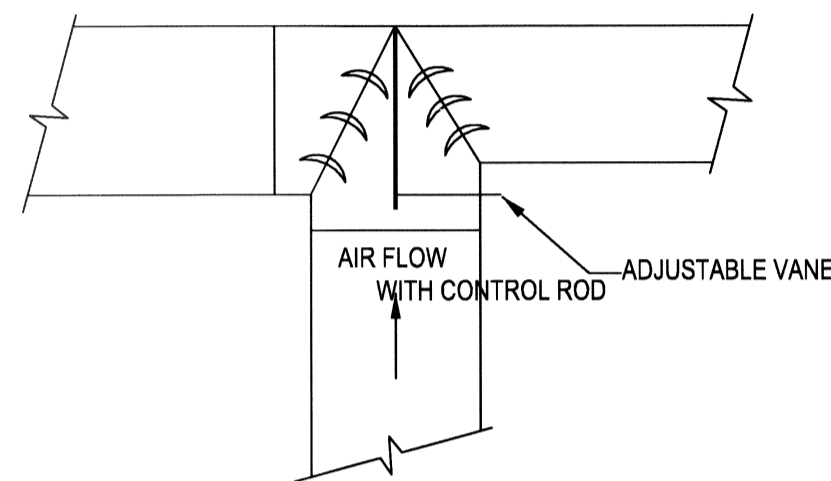


MECHANICAL		LEGEND	
SYMBOL	DESCRIPTION	SYMBOL	DESCRIPTION
---	COLD WATER	RAG	RETURN AIR GRILLE
---	HOT WATER	RD	ROOF DRAIN
---	HOT WATER CIRCULATING	(TYP)	TYPICAL
---	VENT	VTR	VENT THRU ROOF
SS	SANITARY SEWER	VD	VOLUME DAMPER
SD	STORM DRAIN	DF	DRINKING FOUNTAIN
CO	CLEAN OUT	CONN.	CONNECTION
CFM	CUBIC FEET PER MINUTE	O/A	OUTSIDE AIR
CW	COLD WATER	(P)	PLUMBING RISER DIAGRAM
HW	HOT WATER	(V)	GATE VALVE
CLG.	CEILING	(Z)	CHECK VALVE
DN	DOWN	(V)	VALVE IN VERTICAL RISE
EF	EXHAUST FAN	(U)	UNION
FD	FLOOR DRAIN	(D)	FLOOR DRAIN
HB	HOSE BIBB	(B)	HOSE BIBB
RA	RETURN AIR	(T)	AIR CHAMBER (10" HIGH PIPE)

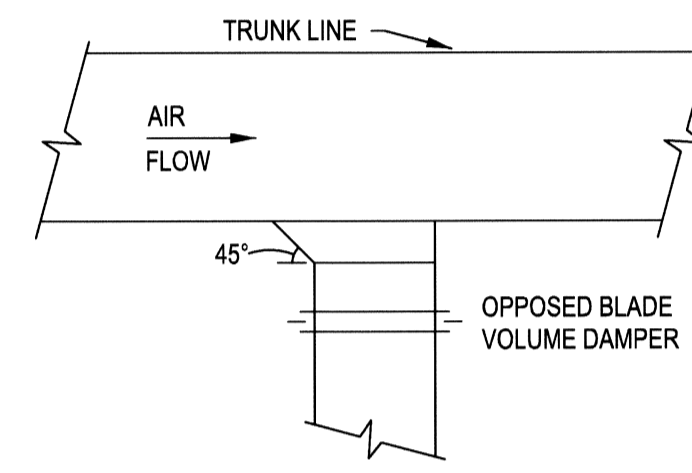


NOTE: ALL SEAMS SHALL BE PROPERLY SEALED AND INSULATION GLUED TO BACK OF DIFFUSER. INSULATION SHALL COVER ENTIRE DIFFUSER AND NECK.

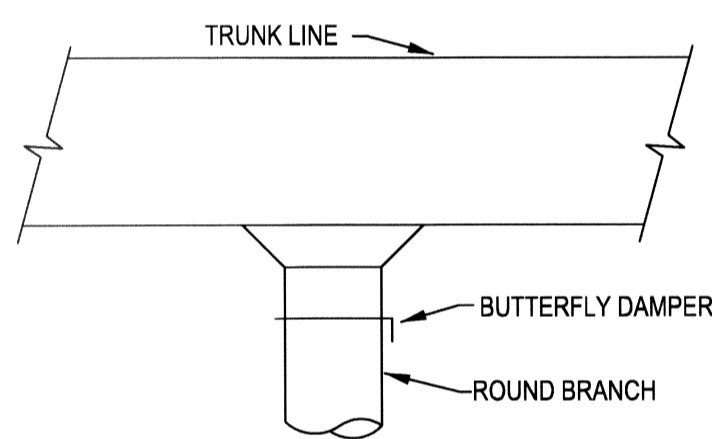
**DIFFUSER INSULATION DETAIL**  
NO SCALE



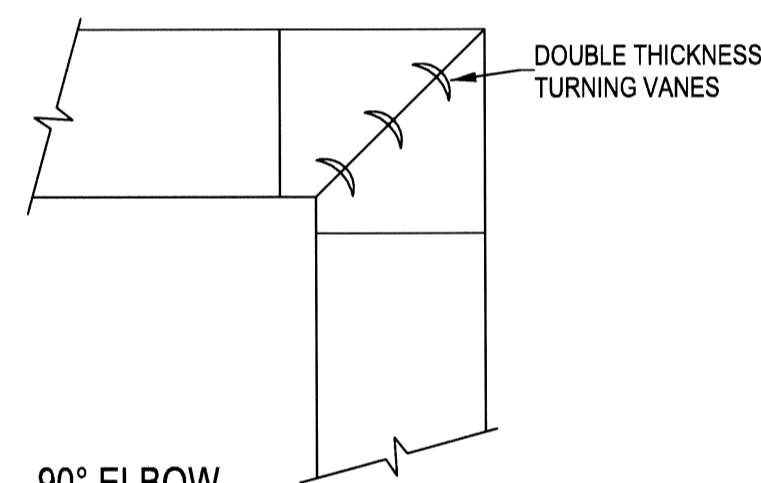
**SPLITTER DAMPER**



**RECTANGULAR BRANCH DUCT TAKE-OFF**

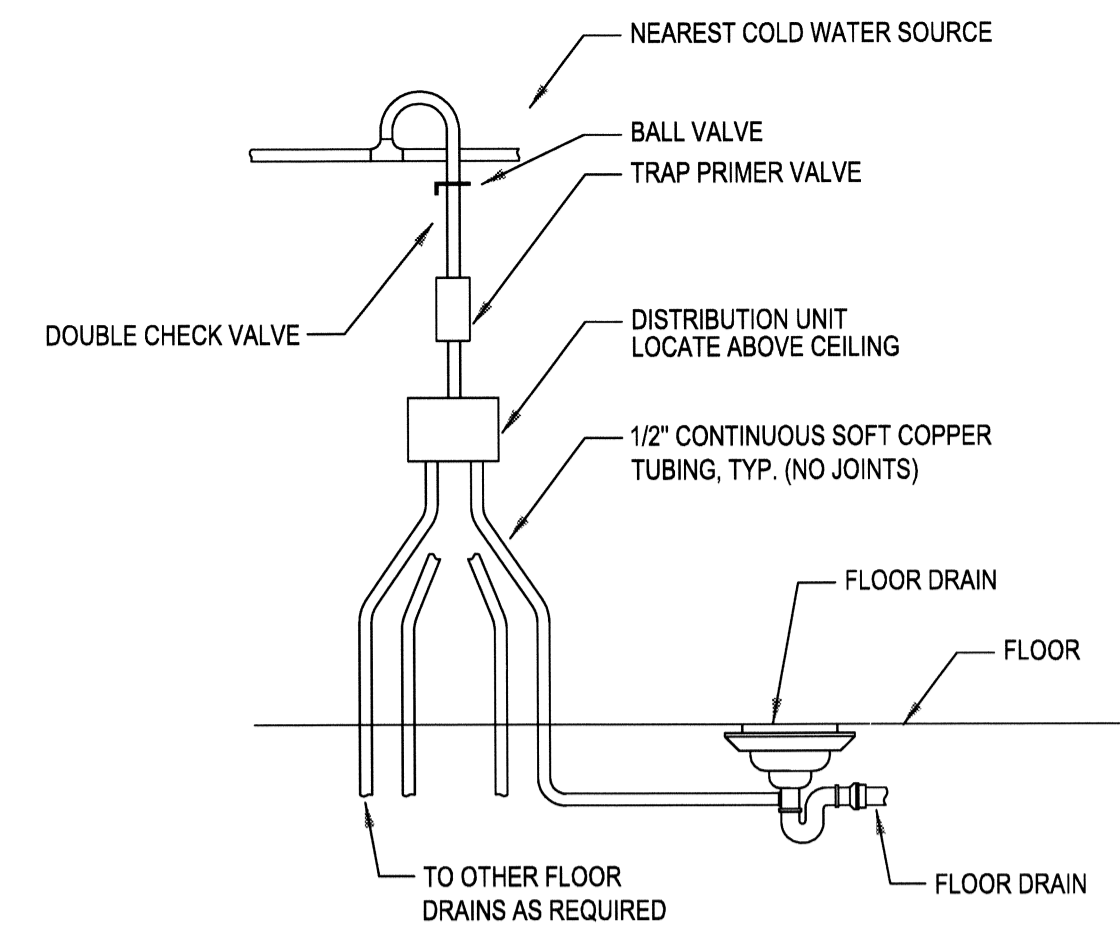


**ROUND BRANCH DUCT TAKE-OFF**

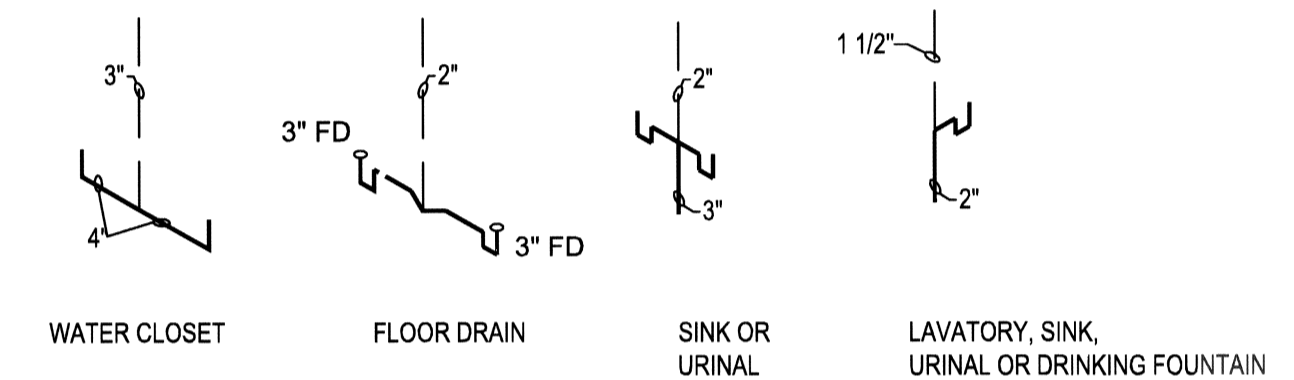


**90° ELBOW**

**DUCT DETAILS**



**TRAP PRIMER DETAIL**  
NO SCALE



**TYPICAL PLUMBING FIXTURE RISERS**  
NO SCALE

**NOTES:**

- ALL WORK SHALL CONFORM TO THE LOUISIANA STATE PLUMBING CODE.
- PROVIDE TRAP PRIMERS ON ALL FLOOR DRAINS.
- PROVIDE ACCESS PANELS IN WALLS FOR ALL CLEANOUTS.
- SIZE WATER PIPING FOR EACH FIXTURE GROUP PER TABLE BELOW.
- PROVIDE BALL VALVES AT ALL FIXTURE GROUPS TO ISOLATE WATER SUPPLIES.
- PROVIDE AIR CHAMBERS ON HW & CW AT EACH FIXTURE GROUP.
- SIZE SEWER AND VENT PIPING PER PLUMBING FIXTURES TABLES.
- MINIMUM VENT THRU ROOF SHALL BE 2".
- MINIMUM WATER PIPING SIZE SHALL BE 3/4".
- MINIMUM SEWER FOR WATER CLOSET OR TOILET ROOM FIXTURE GROUP SHALL BE 4".
- MINIMUM VENT FOR WATER CLOSET OR TOILET ROOM FIXTURE GROUP SHALL BE 3".

**WATER PIPE SIZING TABLE:**

WATER CLOSETS	PIPE SIZE
# 1	1"
# 2	1 1/2"
# 3-4	1 1/2"
# 5-10	2"
# 11-15	2 1/2"

LAVATORIES, SINKS OR SHOWERS	PIPE SIZE
# 1-4	3/4"
# 5-8	1"
# 9-12	1 1/4"

DRINKING FOUNTAINS	PIPE SIZE
# 1-4	3/4"

URINALS	PIPE SIZE
# 1-4	3/4"
# 2	1"
# 3-4	1 1/4"

PLUMBING		FIXTURE			SCHEDULE
MARK	FIXTURE	WASTE	H.W.	C.W.	DESCRIPTION
P-1	WC	4"	-	1/2"	ADA FLOOR MOUNTED FLUSH TANK WATER CLOSET
P-2	LAV	1-1/2"	1/2"	1/2"	WALL HUNG ADA LAVATORY
P-3	SINK	1-1/2"	1/2"	1/2"	EXAM SINK, SINK AND TRIM PROVIDED WITH CASEWORK, PLUMBING CONNECTIONS BY THIS CONTRACTOR
P-4	SINK	1-1/2"	1/2"	1/2"	SINGLE COMPARTMENT SS ADA SINK

EXHAUST		FAN				SCHEDULE	
MARK	CFM	EXT. S.P.	MOTOR H.P.	VOLTS	PHASE	DATA RPM	DESCRIPTION
F-1	75	0.25	80W	120	1	-	CEILING EXHAUST FAN WITH SPEED CONTROL, BACK DRAFT DAMPER AND INTEGRAL GRILLE.

NOTES:  
1. SPEED CONTROLLERS SHALL BE PROVIDED FOR ALL FANS UNLESS NOTED OTHERWISE. MOUNT ON UNIT IN FIELD.  
2. BALANCE THE SPEED CONTROLLER TO BALANCE THE FAN CFM.

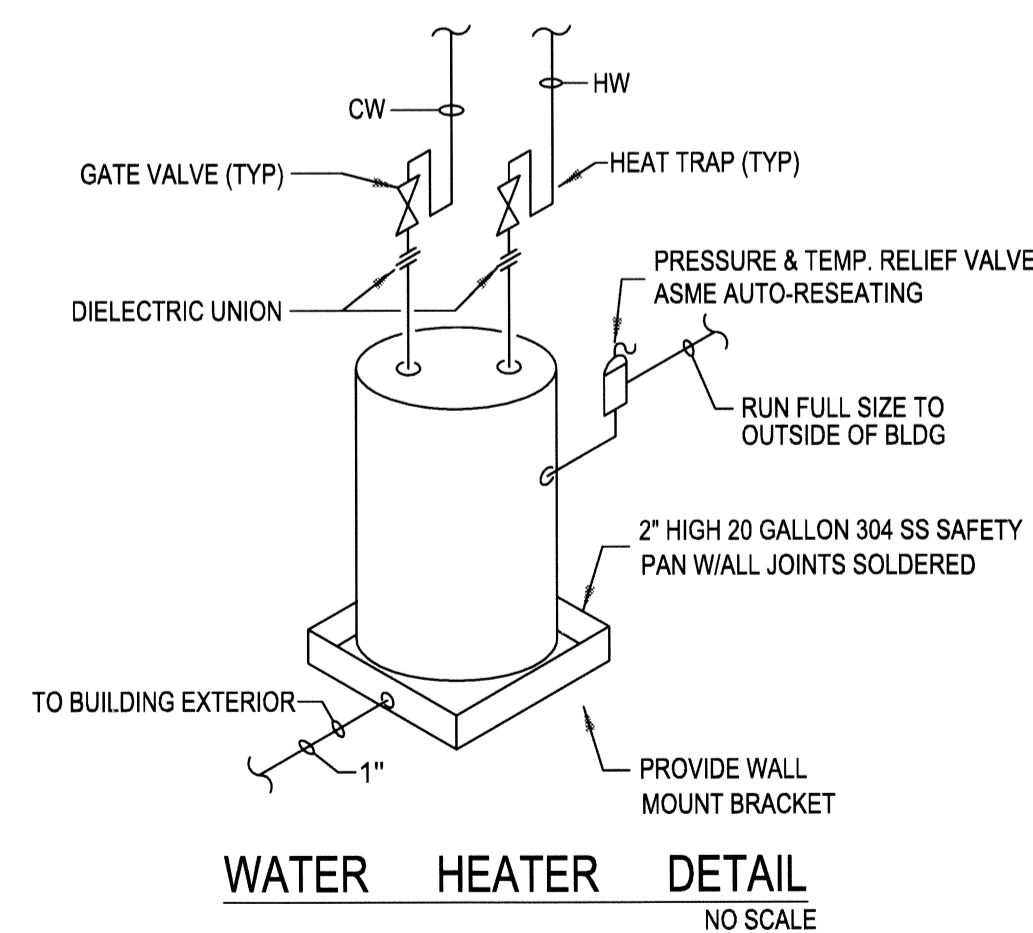
GREENHECK SPA - 110

DIFFUSER	GRILLE &	REGISTER	SCHEDULE
MARK	DESCRIPTION		
D	ARCHITECTURAL PLAQUE ALUMINUM CEILING DIFFUSER WITH 4-WAY PATTERN, 24"X24" LAY-IN FRAME, ROUND NECK AND OFF WHITE FINISH		TITUS OMNI-AA
SD	ARCHITECTURAL PLAQUE ALUMINUM CEILING DIFFUSER WITH 4-WAY PATTERN, 12"X12" SURFACE FRAME, ROUND NECK AND OFF WHITE FINISH		TITUS OMNI-AA
R-1	PERFORATED ALUMINUM RETURN AIR GRILLE WITH 18"X18" SQUARE NECK FOR LAY-IN CEILING, 2'X2' MODULE SIZING		TITUS MODEL PAR-AA
L-1	EXTRUDED ALUMINUM LOUVER. SEE SPECIFICATIONS SECTION 15800.		

NOTES:  
1. PROVIDE PLASTER FRAME FOR DIFFUSERS/GRILLES IN SHEETROCK CEILINGS.  
2. PROVIDE PLENUM BOX AT REAR OF ALL RETURN GRILLES SIZED FOR GRILLE NECK FOR CONNECTION OF RETURN DUCTS.  
3. INSULATE BACK OF ALL DIFFUSERS. SEE DETAIL ON DRAWINGS OR AT CONTRACTOR'S OPTION PROVIDE FACTORY BACK PAN INSULATION.  
4. ADJUST LOCATION OF DIFFUSERS AS REQUIRED FOR ANY LIGHT CONFLICTS.

ELECTRIC		WATER			HEATER		SCHEDULE	
MARK	GAL.	RECOVERY 80°F RISE	KW	VOLT	PH	MOUNTING	PIPE SIZE	REMARKS
WH-1	30	31	6	208	1	FLOOR	3/4"	LOW BOY RHEEM MODEL EGSP30

NOTES:  
1. PROVIDE SAFETY PANS UNDER ALL WATER HEATERS.



**WATER HEATER DETAIL**  
NO SCALE