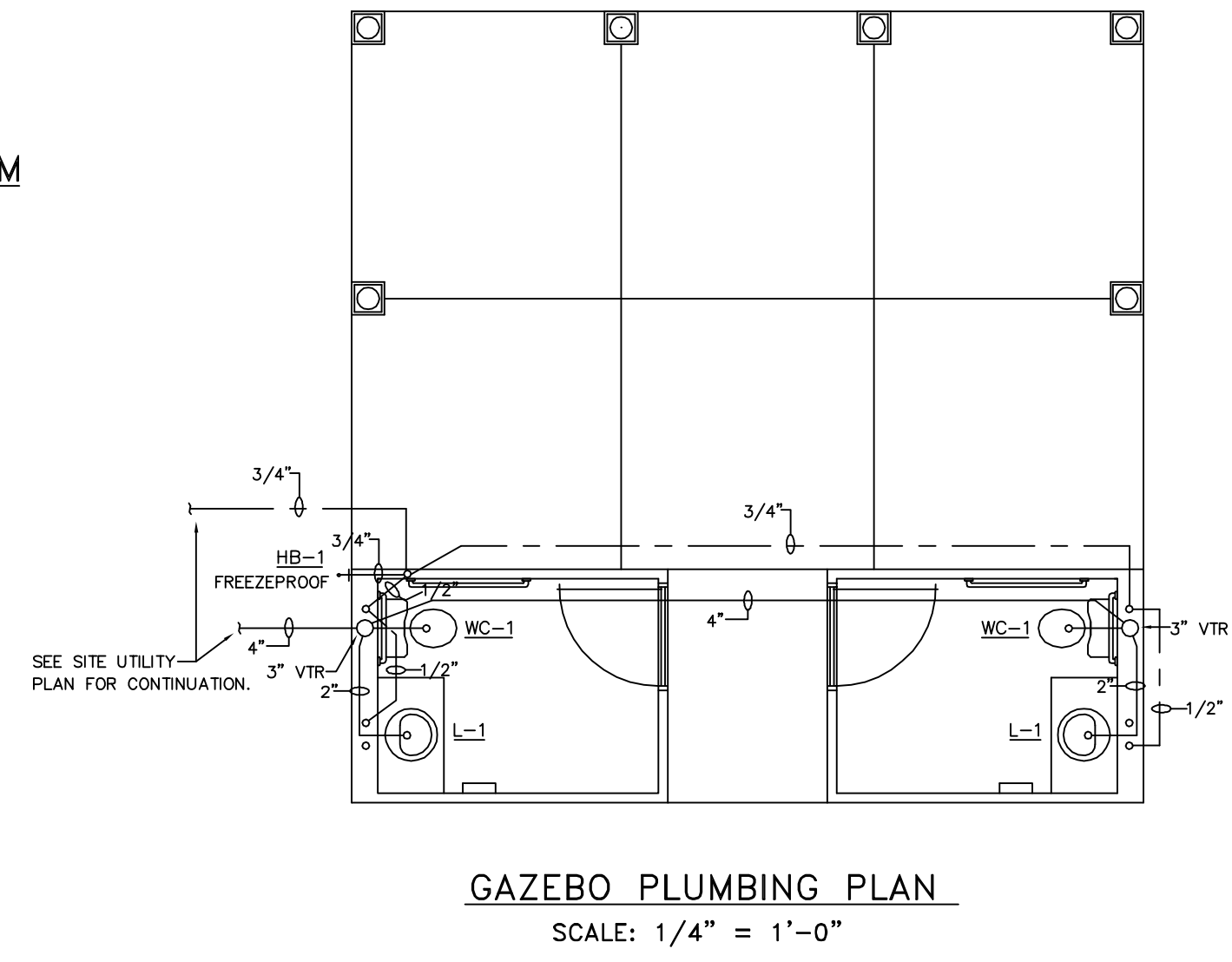
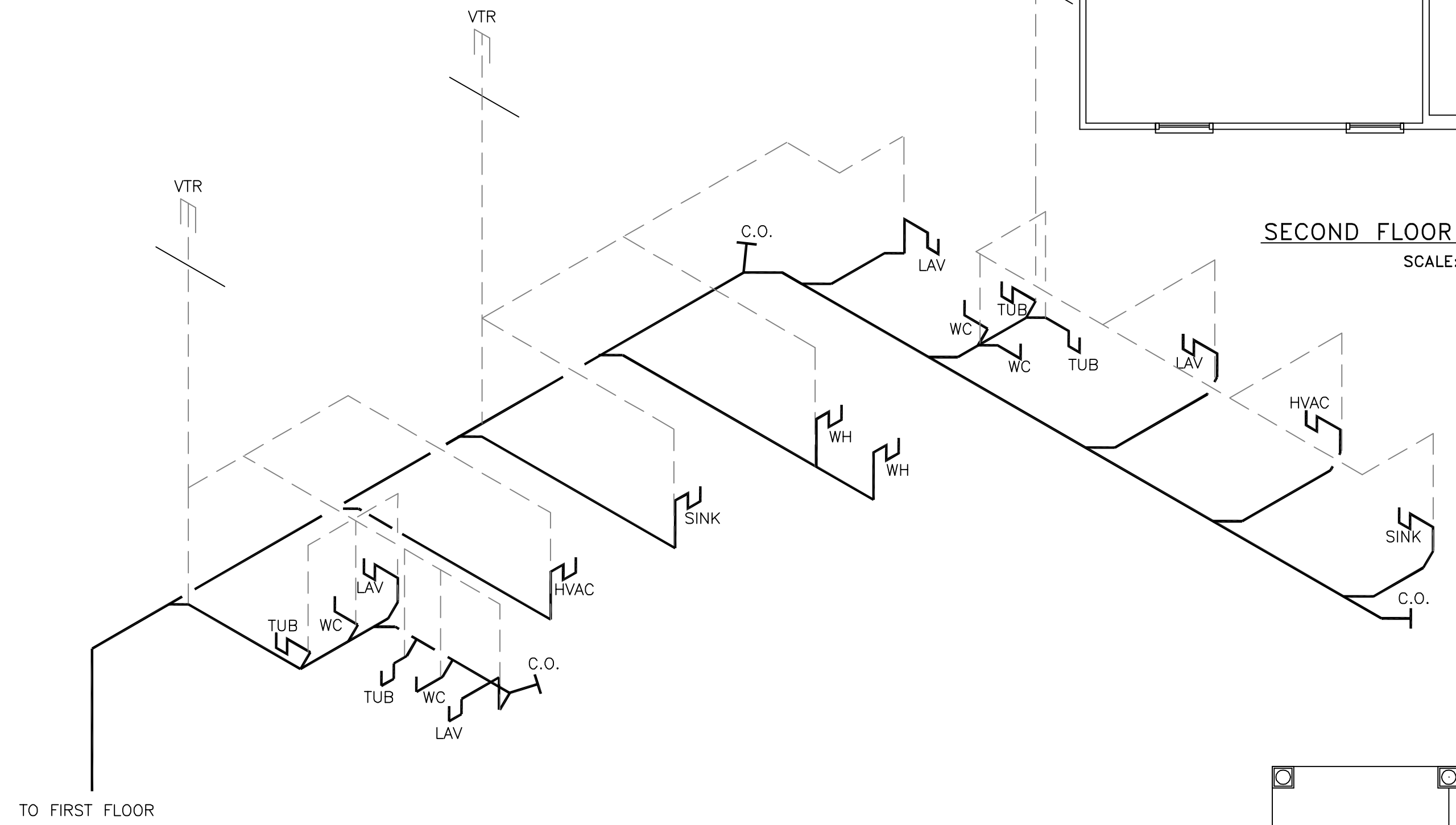
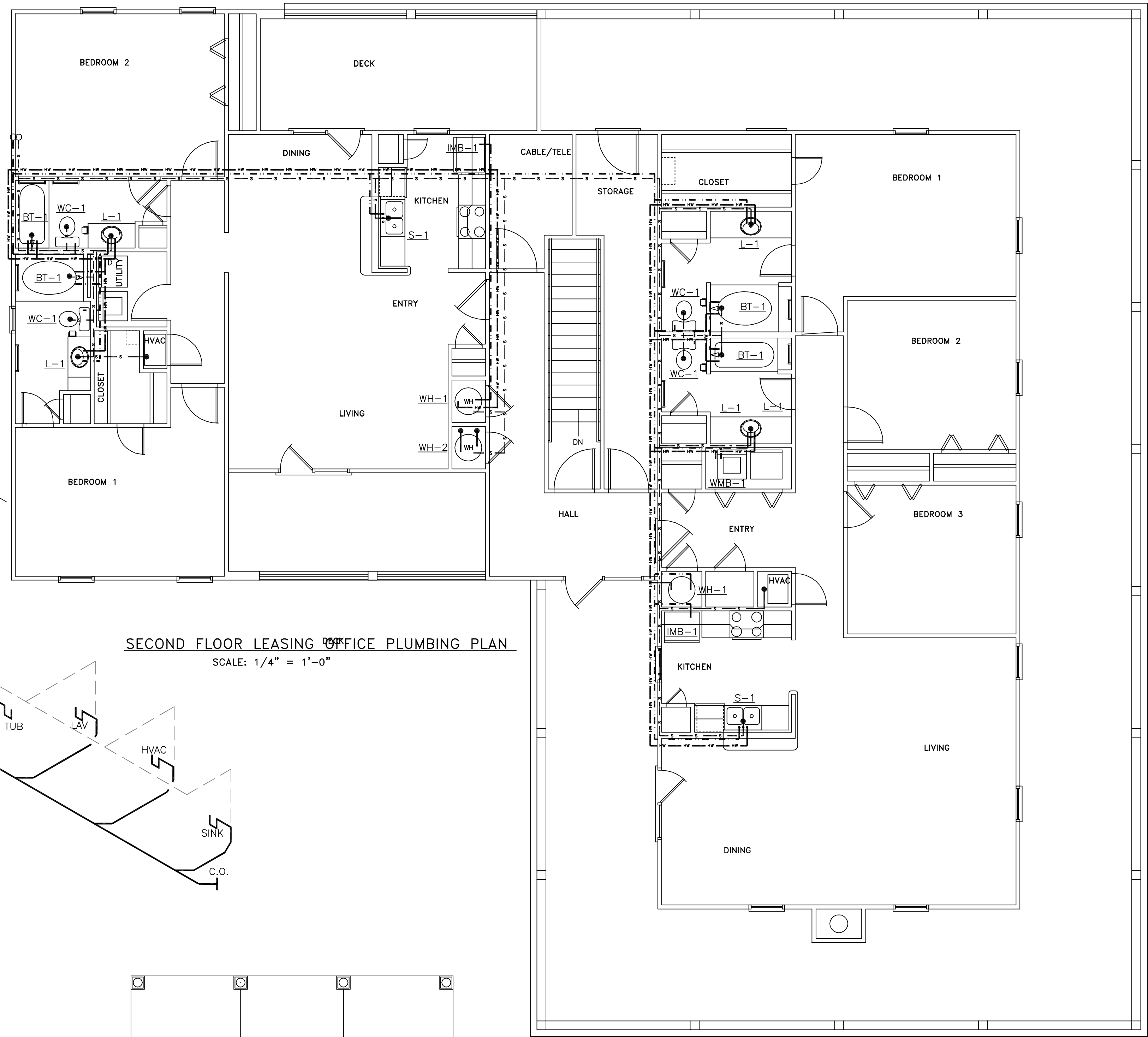


MARK	DESCRIPTION	ROUGH-IN-SIZES				REMARKS
		CW	H.W.	WASTE	VENT	
WC-1	WATER CLOSET, FLR. MTD. TANK TYPE	1/2"	-	4"	4"	
L-1	COUNTER MOUNTED LAVATORY	1/2"	1/2"	2"	2"	
BT-1	TUB/ SHOWER/SURROUND	1/2"	1/2"	2"	2"	W/ PRESSURE BALANCING VALVE.
S-1	KITCHEN SINK - 2 COMPARTMENT	1/2"	1/2"	2"	2"	PROVIDE PIPING TO DISHWASHER.
WMB-1	WASHING MACHINE BOX	1/2"	1/2"	2"	2"	
IMB-1	ICE MAKER BOX	1/2"	-	-	-	
HB-1	HOSE BIB	3/4"	-	-	-	W/ VACUUM BREAKER.
WH-1	40 GAL WATER HEATER					
WH-2	50 GAL WATER HEATER					
VTR	VENT THRU ROOF	-	-	-	4"	



- LEGEND**
- HOT WATER
  - POTABLE WATER
  - SANITARY SEWER
  - PLUMBING VENT

THE BRYAN COMPANY  
ISLAND PARK APARTMENT COMMUNITY SHREVEPORT, LA.

ISLAND PARK  
DAMON ENGINEERING, INC.  
ARCHITECTS - ENGINEERS  
819 ROBERT ROAD  
SLIDELL, LA. 70458

SCALE: AS NOTED  
FILE: --  
JOB No.: --  
DATE: 03-29-04  
SHEET  
P-7  
OF -