

**NOTE:**

ALL UTILITIES SHALL BE INSTALLED UNDERGROUND.

**SITE LIGHTING**

EXTERIOR LIGHTING SHALL BE SHADED OR INWARDLY DIRECTED IN SUCH A MANNER SO THAT NO DIRECT LIGHTING OR GLARE IS CAST BEYOND THE PROPERTY LINE. THE INTENSITY OF SUCH LIGHTING SHALL NOT EXCEED ONE FOOT CANDLE AS MEASURED AT THE ABUTTING PROPERTY LINE.

**LUMINAIRE TYPE SUMMARY**

TYPE	BRAND NAME	CATALOG NUMBER	QUANTITY
P2	LYTEPOLES	LYTEPOLES 910-4011-25-DB-TZ	17
P3	LYTEPOLES	LYTEPOLES 910-4011-25-DB-TZ	7

**DESCRIPTION**

- P-2 1 (53) ON A 25' POLE WITH A 2 FOOT PEDESTACK
- P-3 1 (54) ON A 25' POLE WITH A 2 FOOT PEDESTACK

PROJECT NAME: CAMELLIA TRAIL

BRONZE  
FIXTURE TYPE: P-2 & P-3

**HADCO PROFILER PA3S AREA-LYTE SPECIFICATION SHEET**



The Hadco Profiler PA3S Area-Lyte luminaire is a straight arm architectural area fixture. Designed for performance, form and function; the PA2 Profiler Area-Lyte is suitable for pole and/or wall mount applications where glare-free cut-off lighting is the requirement. Combined with the Profiler Wall-Lyte and Profiler Flood-Lyte, the low profile aesthetic pleasing family of fixtures meets the requirements of your discriminating customers.

model PA3S

STREET LIGHT

**FORECAST**

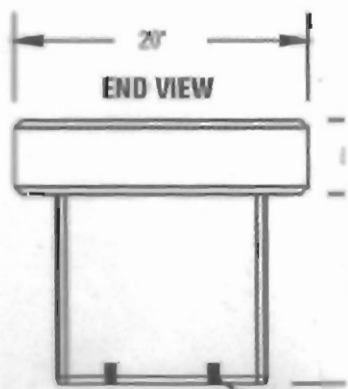
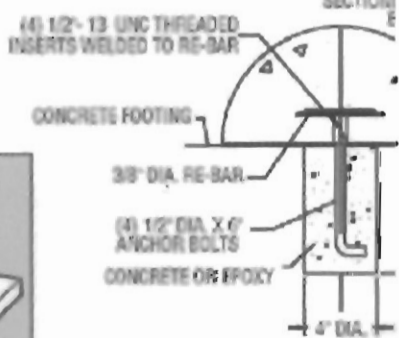
All pictures are for style representation only. See Description for finish.

- ITEM #: F3128-85
- Outdoor Wall, 1-Lt Med, Silver Rust, Wht.
- Alabaster Glass
- Lamping: 75W
- Weight: 8.0
- Cube: 0.94
- Transport: UPS
- Height: 13"
- Width: 7 1/2"
- Add to Review List



BUILDING LIGHT

**SECTIONED ANCHORING SYSTEM**



BRONZE



SIDEWALK LIGHT LU300

15"

**NON CROSSING SIGNS**

**Pedestrian Crossing**

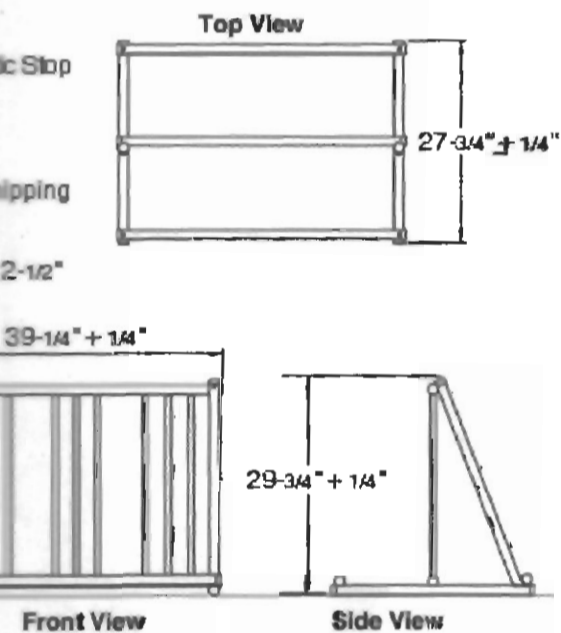
2"x18" .080 heavy gauge aluminum sign reading "Slow Pedestrian Crossing" with graphic. Reflective yellow background with black text.

3 Trash Cans ANCHORED



Commercial

R20-6



ack

el TF5029

Pedestrian Crossing



Item #615

12"x18" .080 heavy gauge aluminum sign reading "Slow Pedestrian Crossing" with graphic. Reflective yellow background with black text.

SITE LIGHTING

EXTERIOR LIGHTING SHALL BE SHADED OR INWARD DIRECT LIGHTING OR GLARE IS CAST BEYOND THE LIGHTING SHALL NOT EXCEED ONE FOOT CANDLE

LUMINAIRE TYPE SUMMARY

TYPE	BRAND NAME	CATALOG NUMBER
P2	LYTEPOLES	LYTEPOLES 910-4011-2
P3	LYTEPOLES	LYTEPOLES 910-4011-2

DESCRIPTION

P-2 1 (53) ON A 25' POLE WITH A 2 FOOT  
 P-3 1 (54) ON A 25' POLE WITH A 2 FOOT

Brown Square Trash Cans ANCHORED



Model: Commercial

BR20-6

PROJECT NAME: CAMELLIA TRAIL

HADCO PROFILER PA3S AREA-LYTE

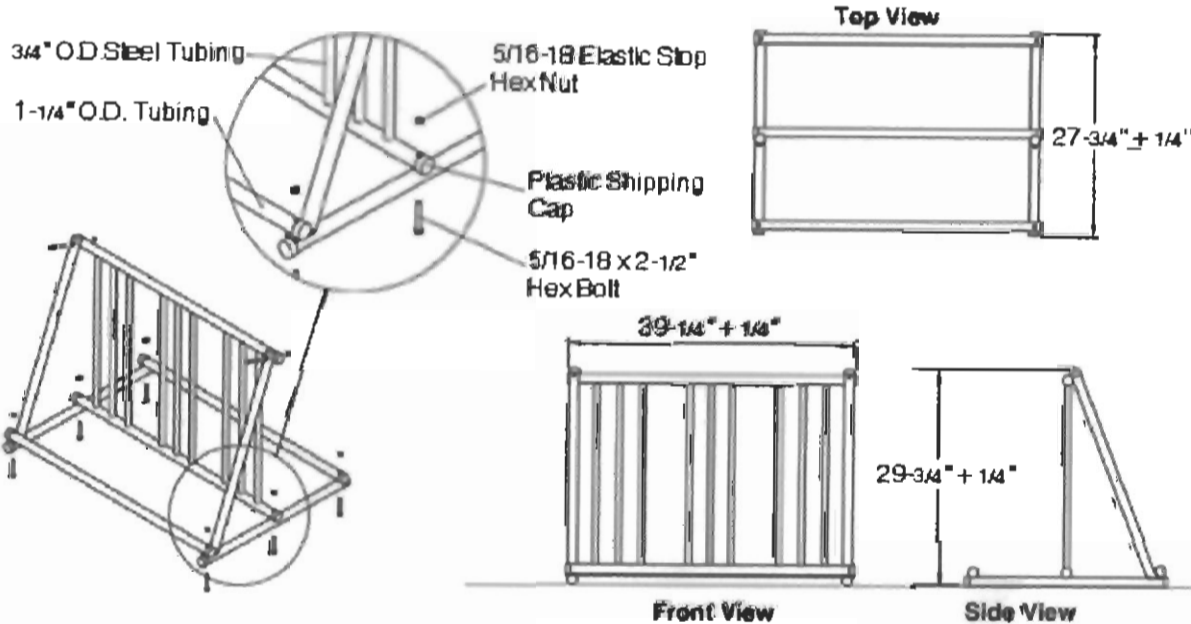


FORECAST

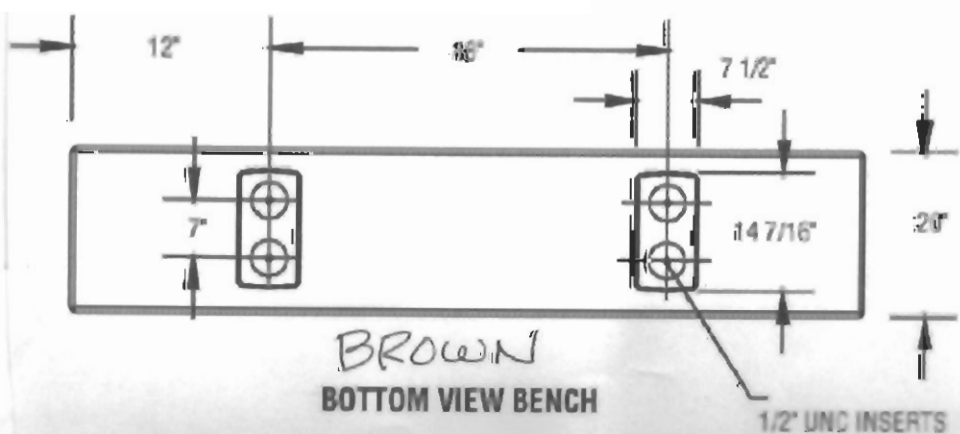
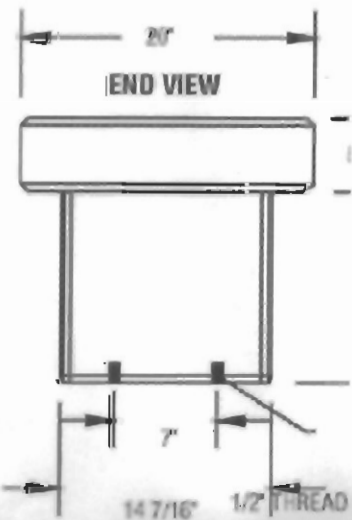
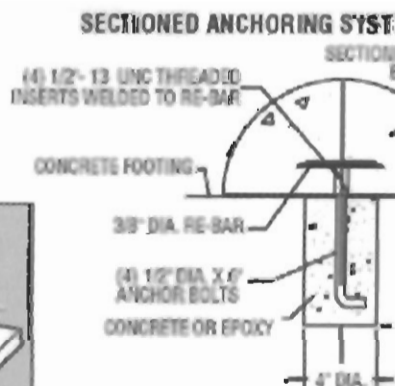
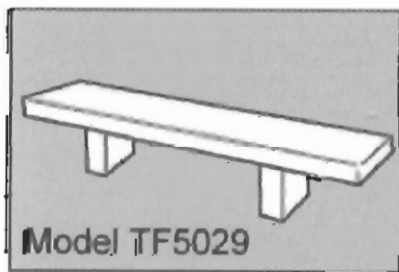
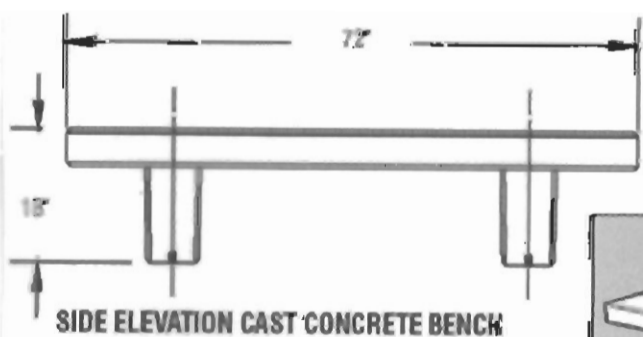
All pictures are for style representation only. See Description

ITEM #: F3128-65  
 Outdoor Wall, 1-Lt Med, Silver Rust, White  
 Alabaster Glass  
 Lamping: 75W  
 Weight: 8.0  
 Cube: 0.94  
 Transport: UPS  
 Height: 13"  
 Width: 7 1/2"  
 Add to Review List

BUILDING LIGHT



ANCHORED BIKE RACK



BRONZE



SIDEWALK LIGHT

WAY 190

ROAD FOLLOW ROAD POSSUM

JUST