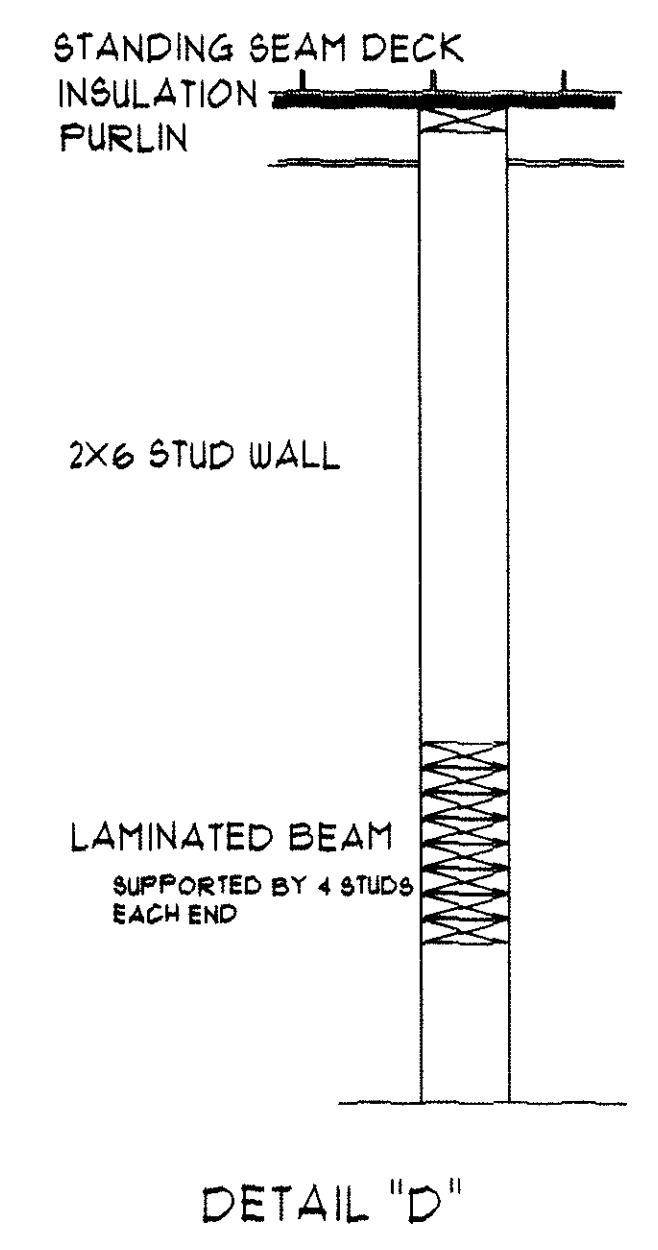
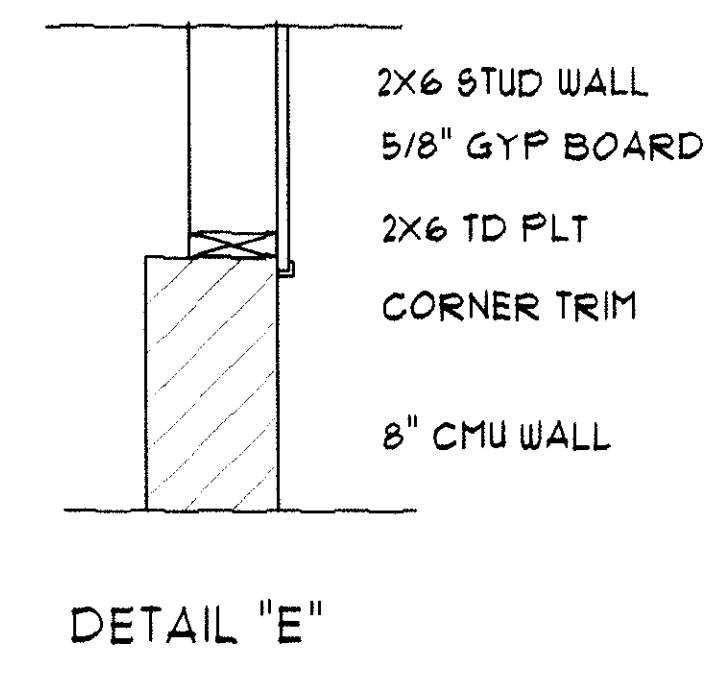
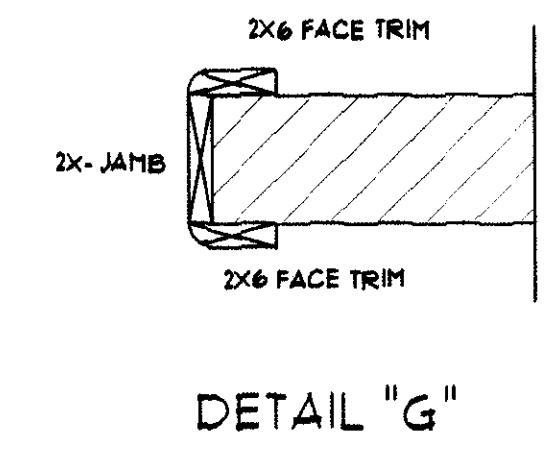
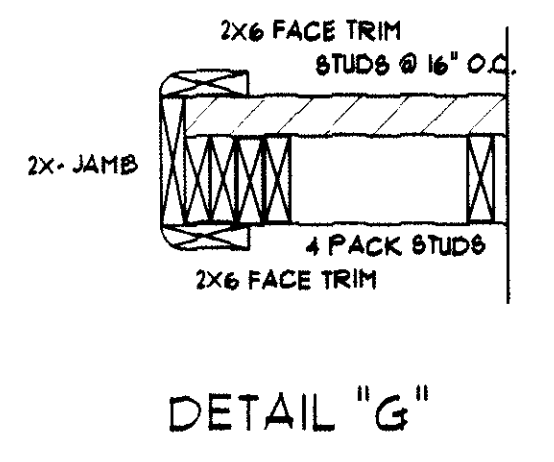
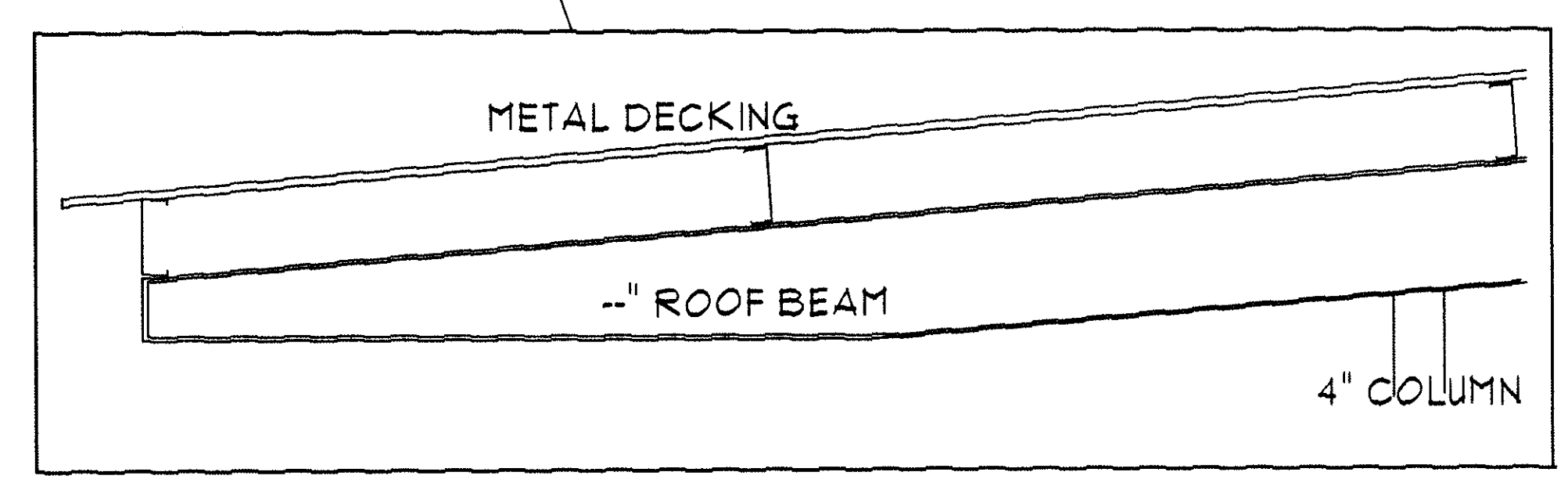
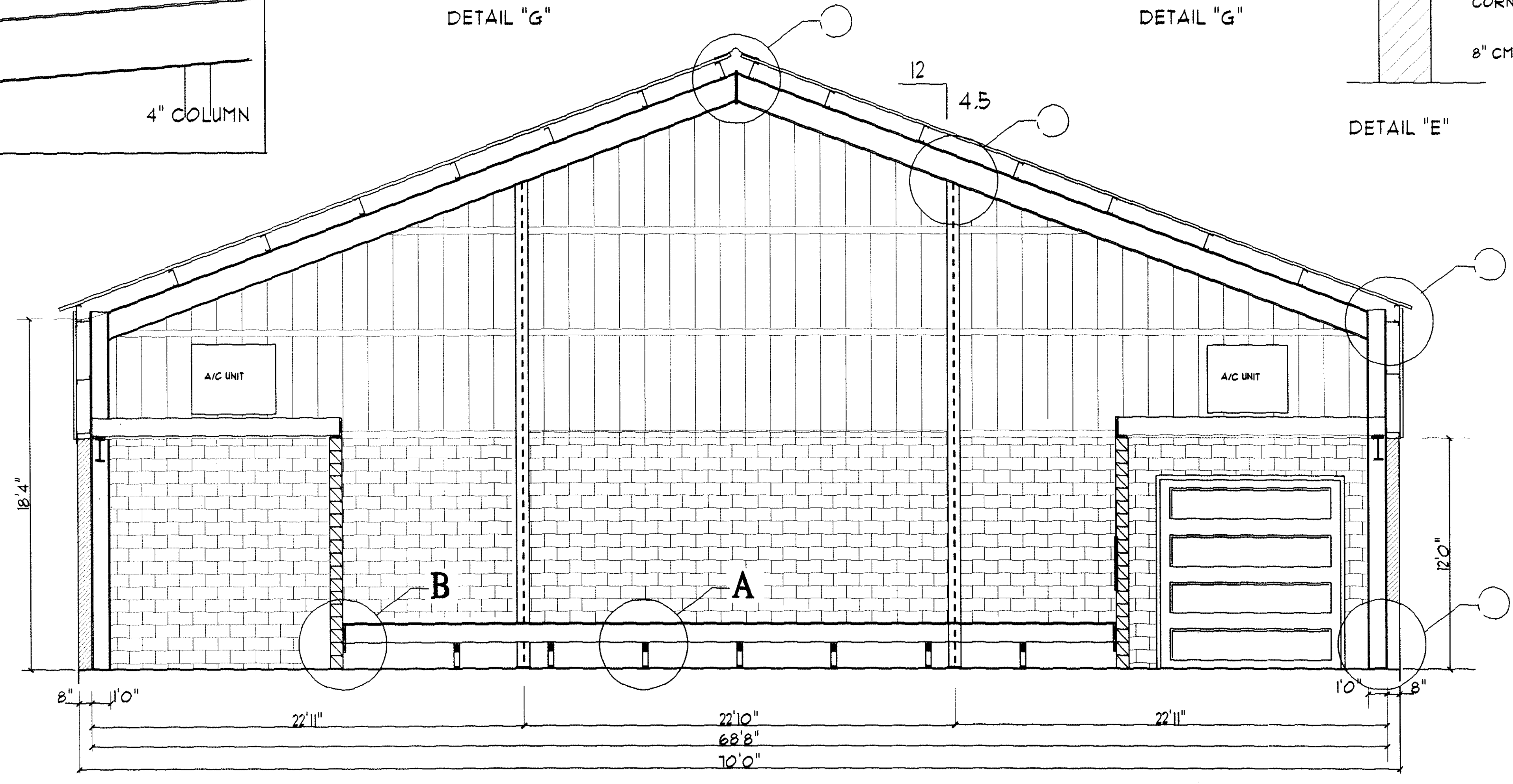


**DON MCARTH CONSTRUCTION**  
 2990 GAUSE BLVD EAST  
 SLIDELL LOUISIANA  
 504-641-4070

CROSS SECTIN - "A-A"

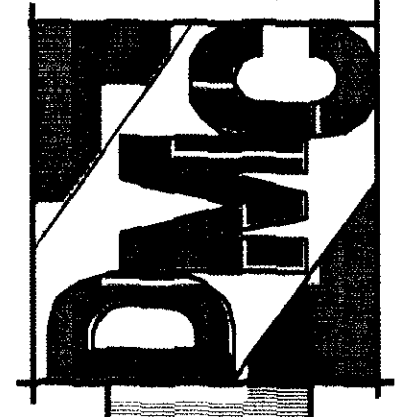
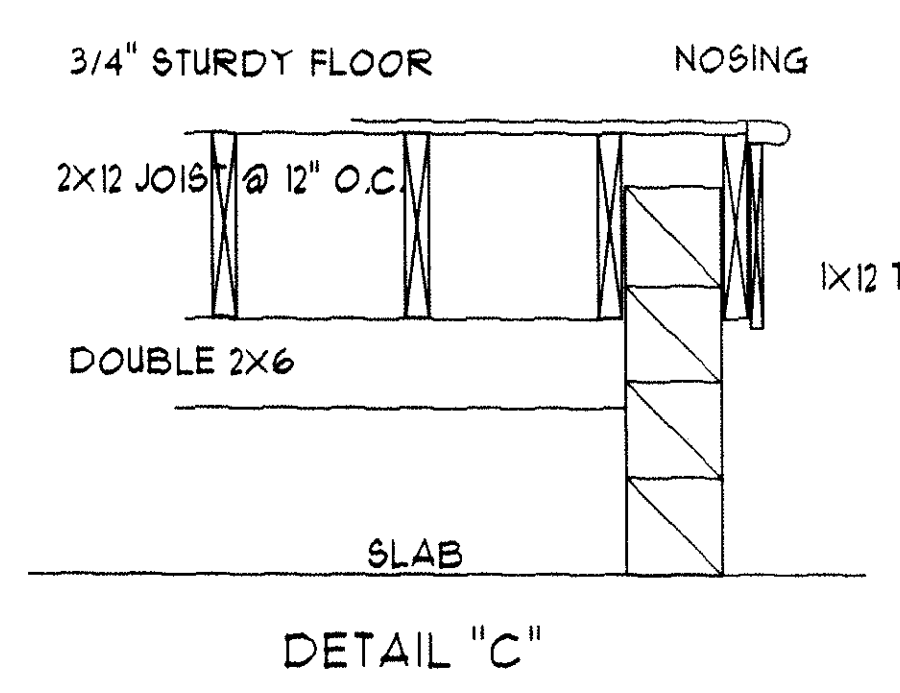
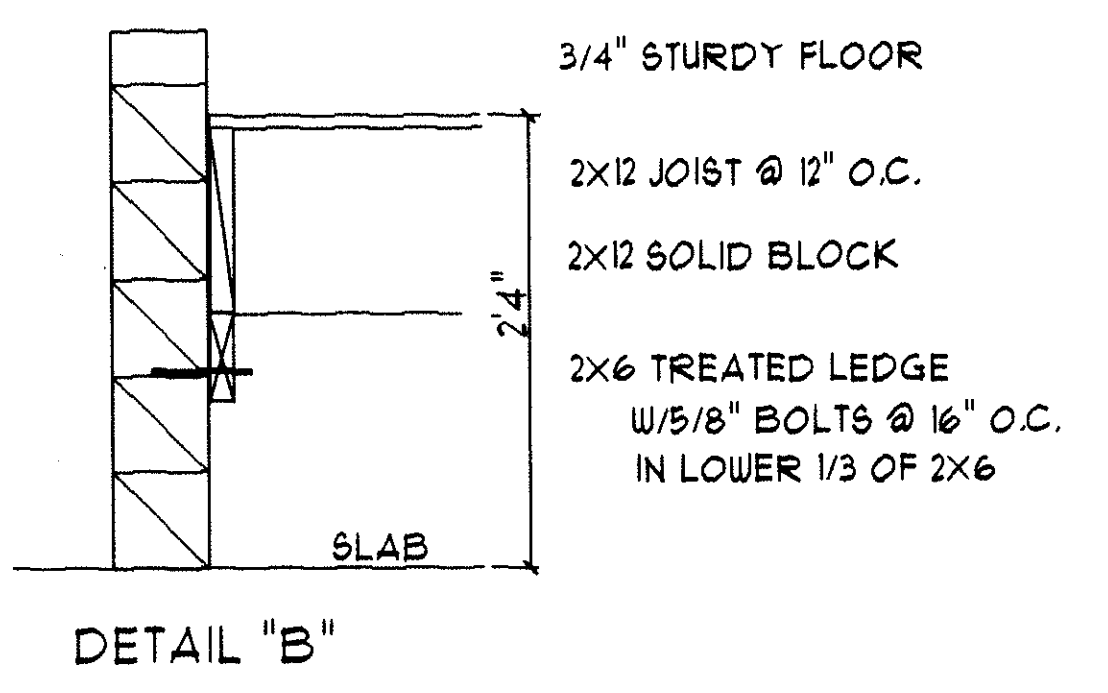
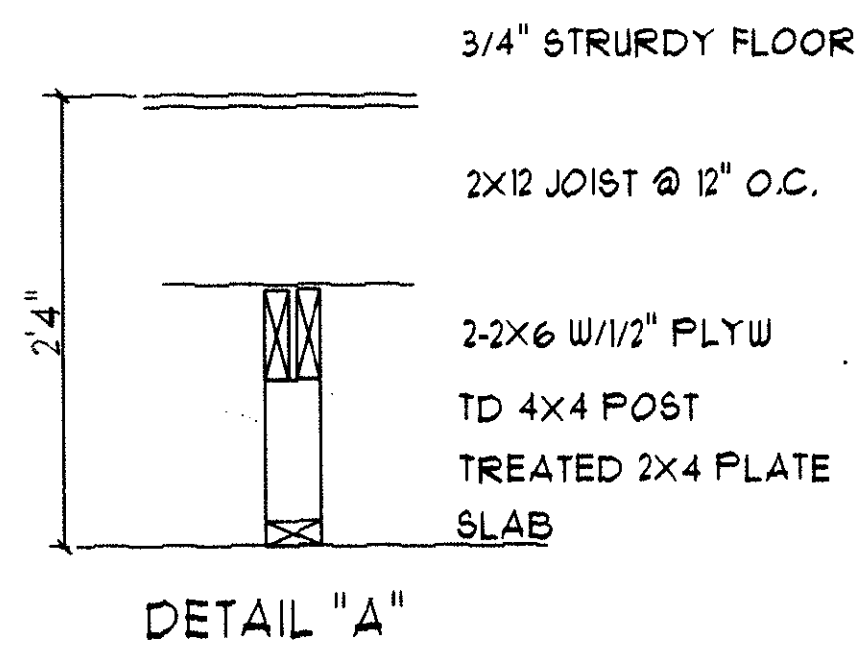


SCALE: 1/4" = 1'-0"



CROSS SECTIN - "B-B"

SCALE: 1/4" = 1'-0"



**CHRIST EPISCOPAL SCHOOL**  
**GYM EXPANSION**  
 LA HUY #21 & CHRISTWOOD BLVD  
 COVINGTON, LOUISIANA

SQUARE FOOTAGE	
AREAS OF EXPANSION:	
- RIGHT EXPANSION	2,496
- LEFT EXPANSION	2,496
- REAR EXPANSION	1,820
TOTAL EXPANSION	6,812

DATE: 1 APRIL 00

JOB NO. 00-18

SHEET  
 9  
 OF SHEETS