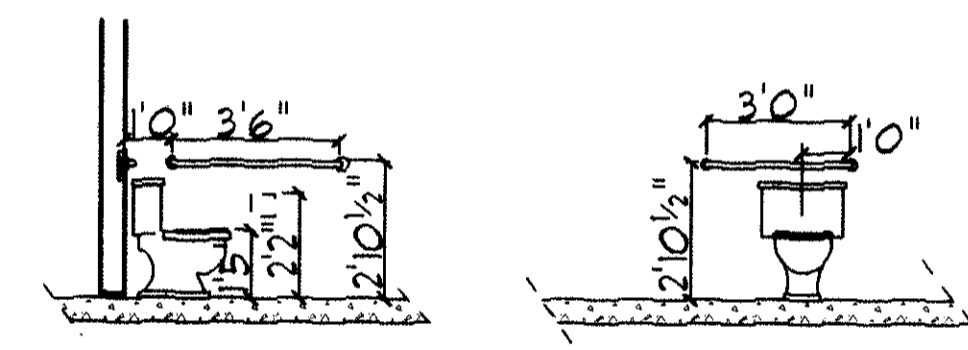
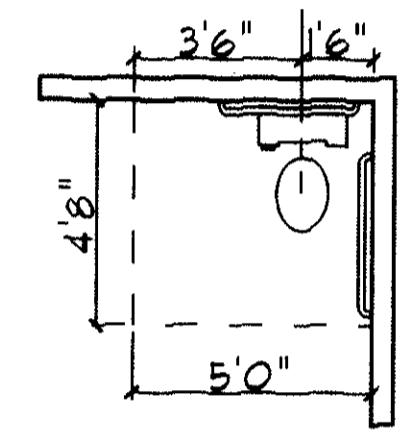
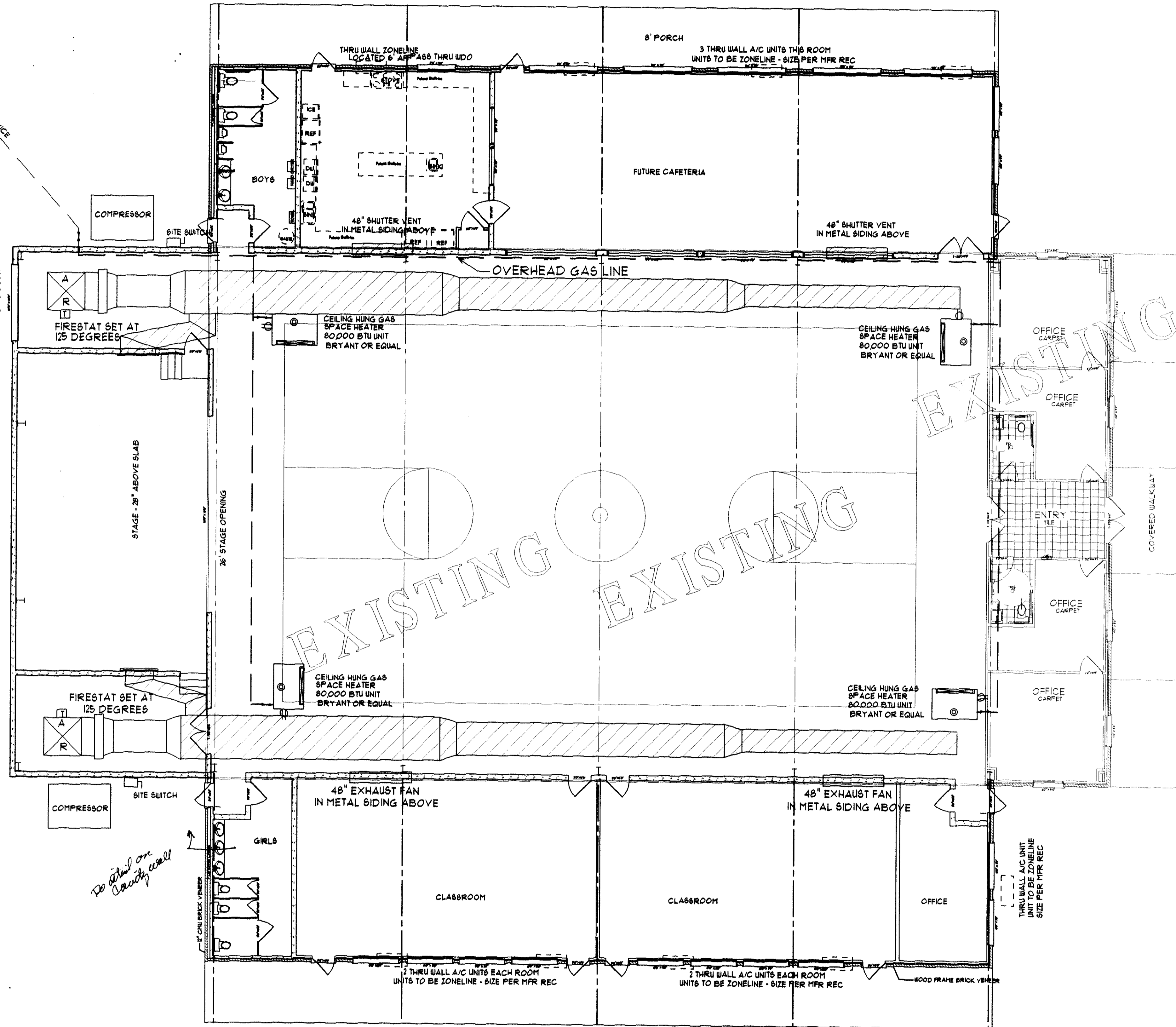
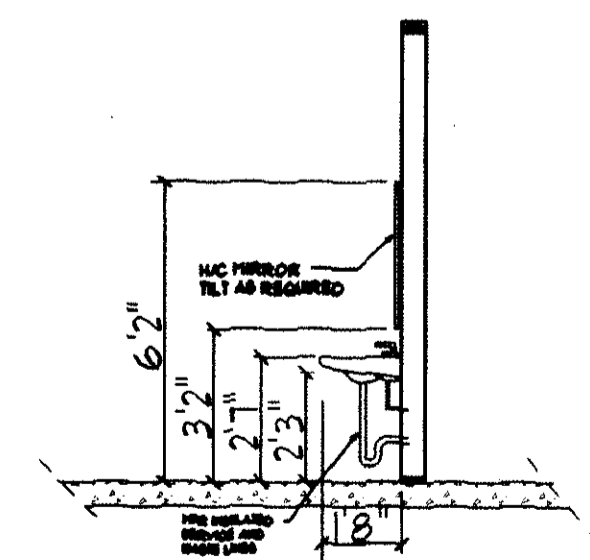
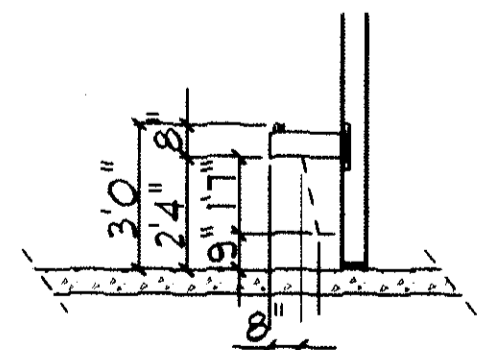
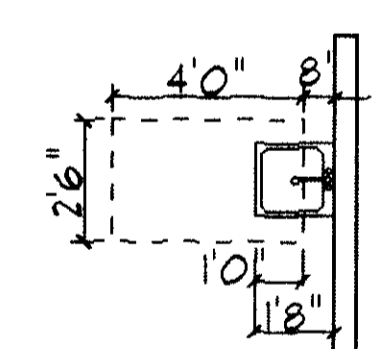
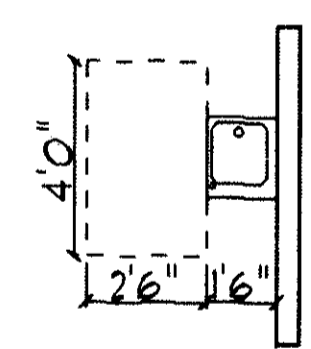


where is gas outside
 UNDER GROUND GAS SERVICE



WATER CLOSETS



DRINKING FOUNTAIN

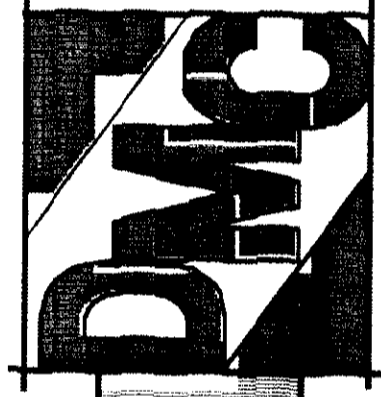
LAVATORY & MIRROR

MECHANICAL LAYOUT

HANDICAP REQUIREMENTS & DETAIL

If you are approved we would not need for the space heater. It would be more economical to use a package. I did not show any wall units above

DON MC MATH CONSTRUCTION
 2990 GAUSE BLVD EAST
 SLIDELL, LOUISIANA
 504-641-4070



CHRIST EPISCOPAL SCHOOL
GYM EXPANSION
 LA HWY #21 & CHRISTWOOD BLVD
 COVINGTON, LOUISIANA

SQUARE FOOTAGE	
AREA OF EXPANSION	2,496
LEFT EXPANSION	2,496
RIGHT EXPANSION	1,820
TOTAL EXPANSION	6,812

DATE: 1 APRIL 00

JOB NO. 00-18

SHEET

11

OF SHEETS