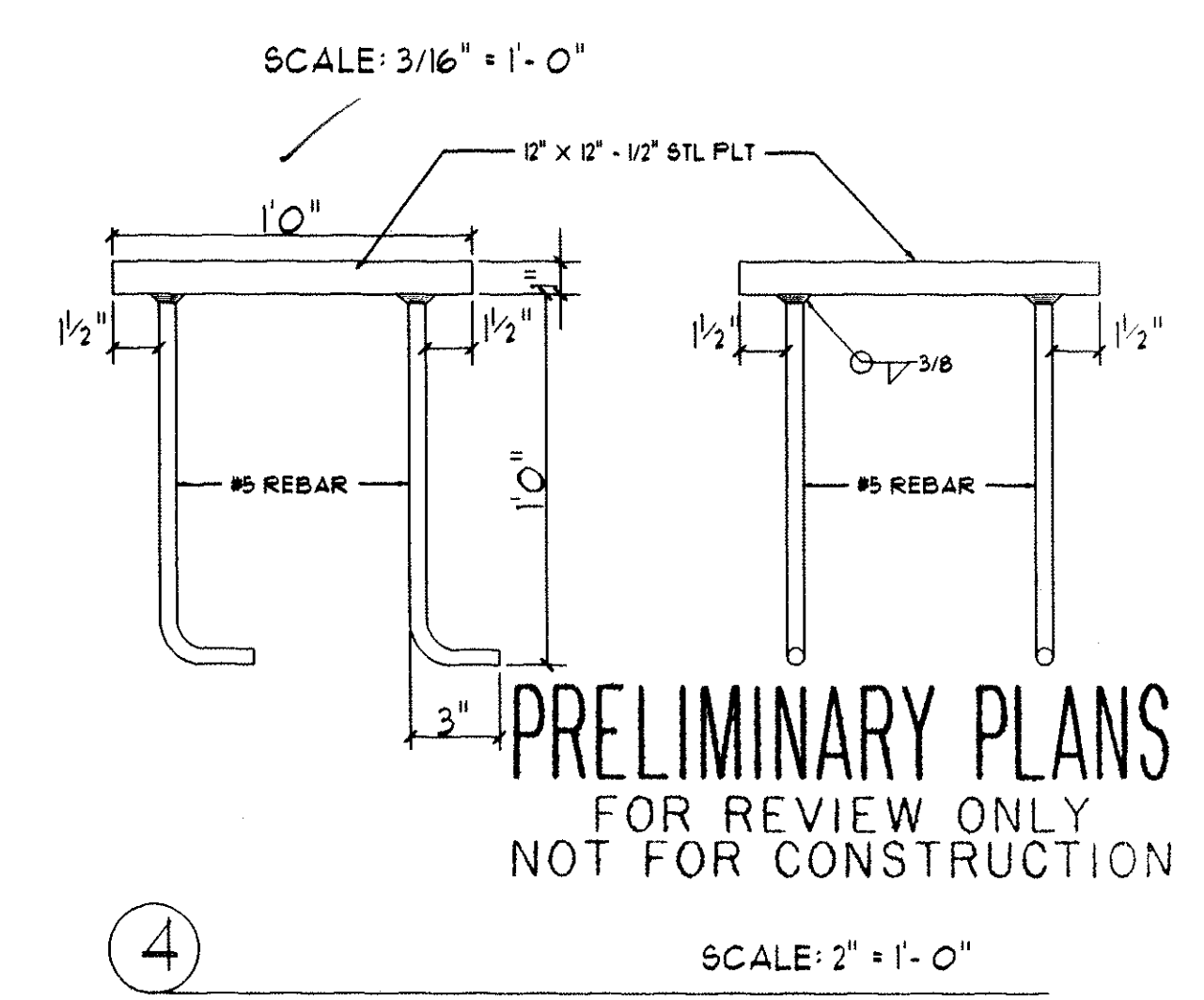
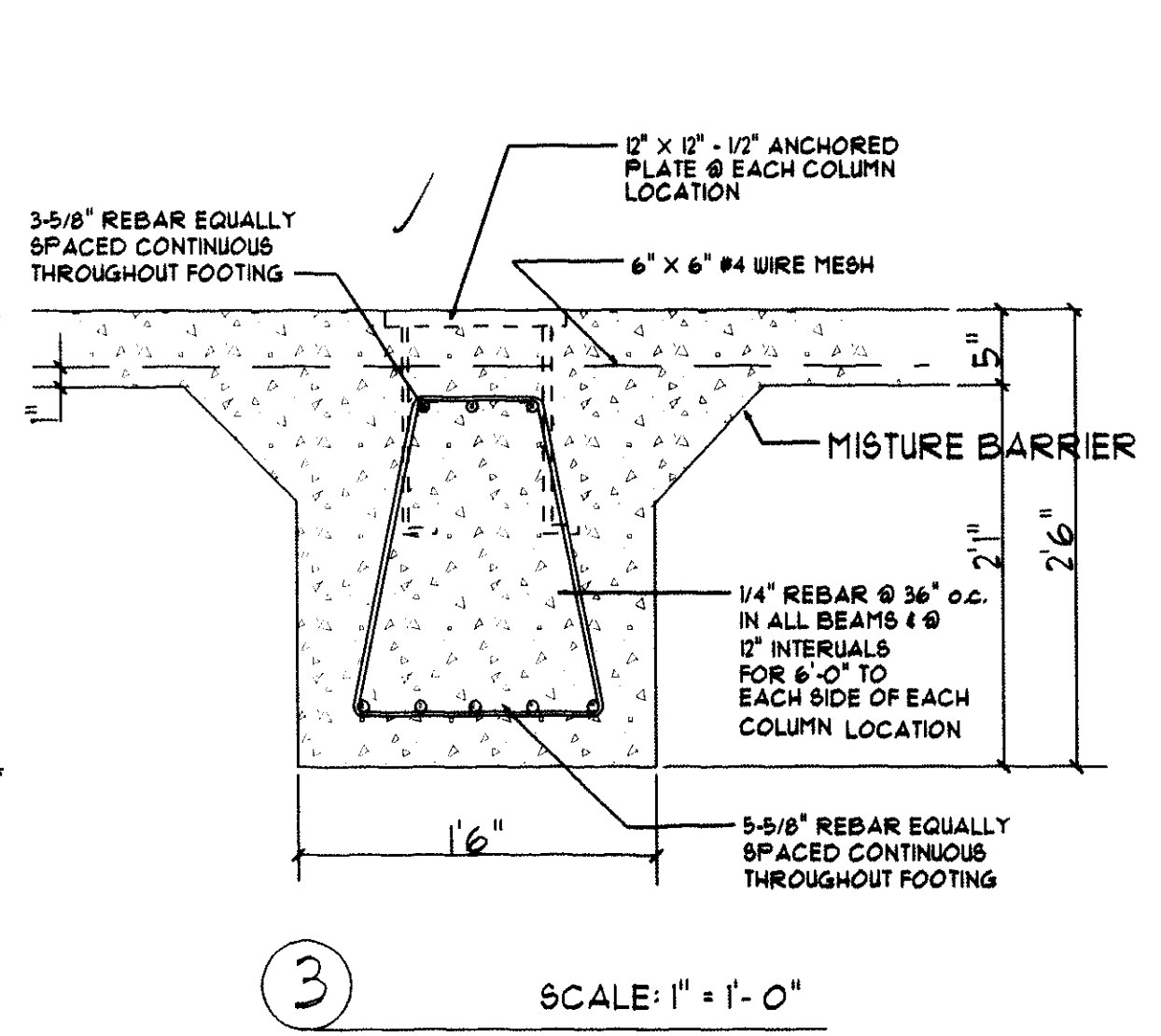
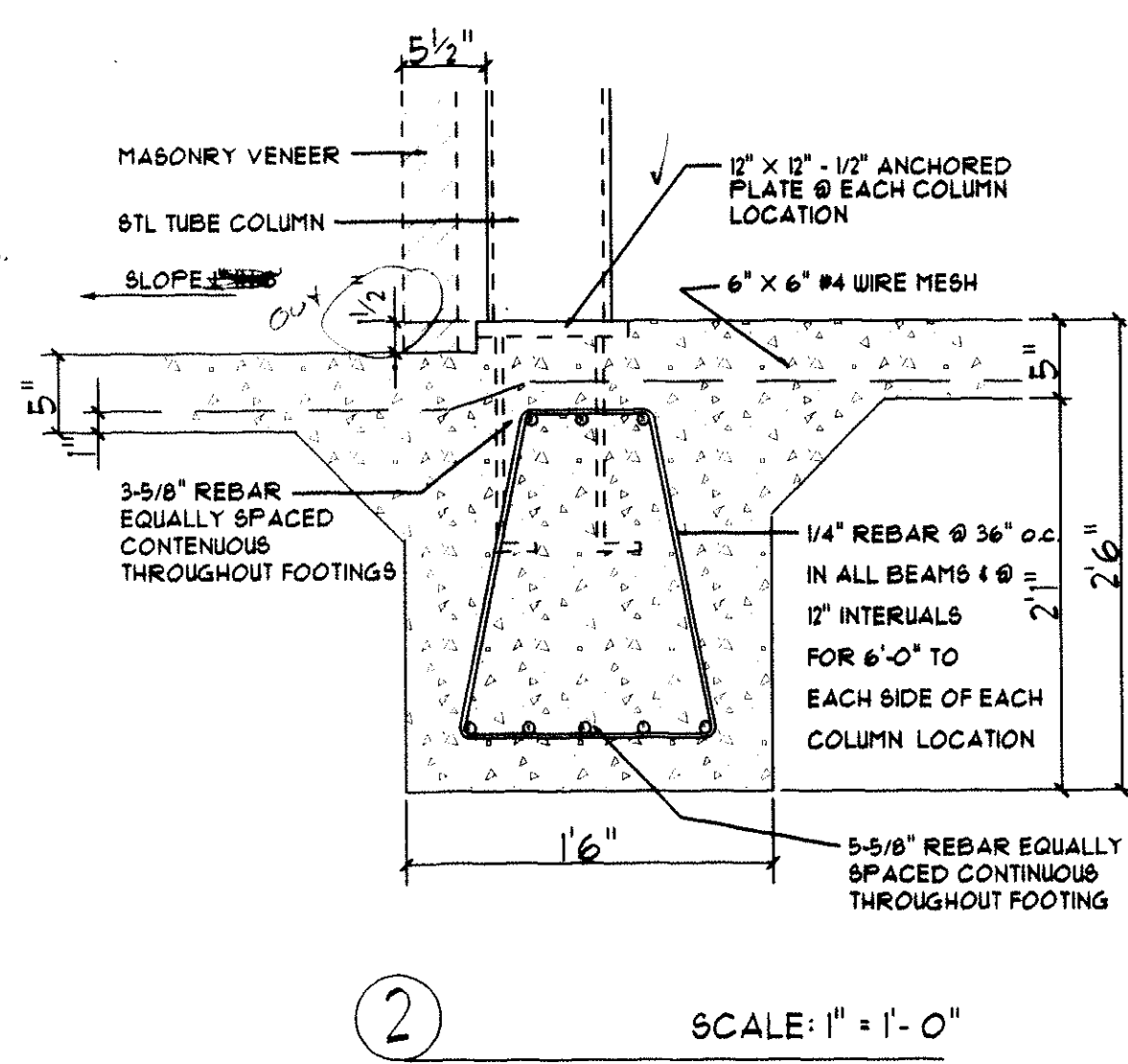
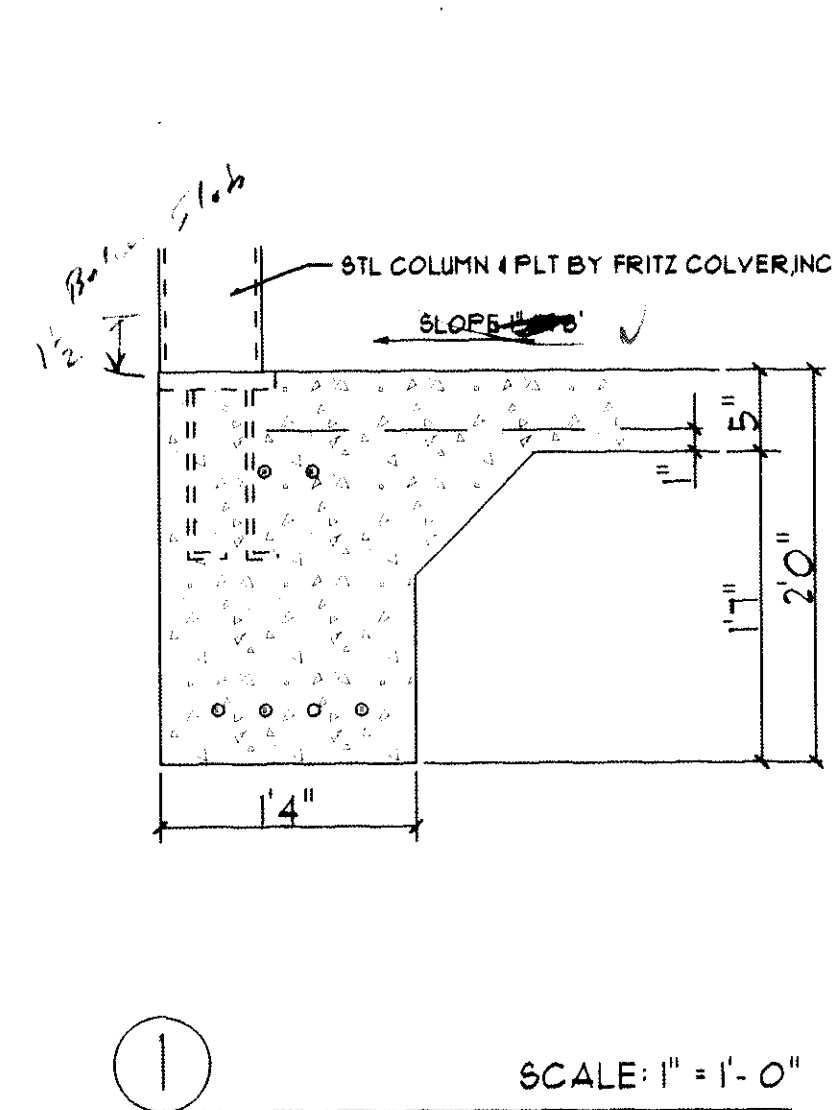
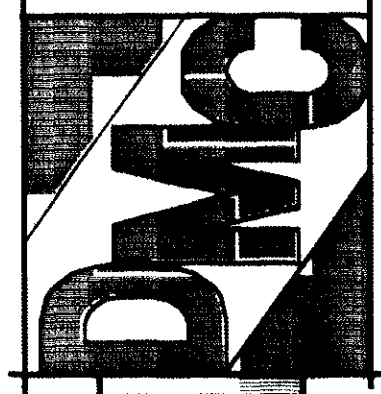


FOUNDATION



**PRELIMINARY PLANS**  
FOR REVIEW ONLY  
NOT FOR CONSTRUCTION

**DON McMATH CONSTRUCTION**  
2990 GAUSE BLVD EAST  
SL IDELL LOUISIANA  
504-641-4070



**CHRIST EPISCOPAL SCHOOL**  
MIDDLE SCHOOL BUILDING  
LA HWY #21 & CHRISTWOOD BLVD  
COVINGTON, LOUISIANA

SQUARE FOOTAGE	
LIVING AREA	8,364
1st FLOOR	8,364
2nd FLOOR	
TOTAL LIVING	8,364
STG BLDG	800
COVERED WALKWAY	3,494
TOTAL U/B	12,640

DATE: 16 NOV 96

JOB NO. 96-58

SHEET  
8  
OF 11 SHEETS