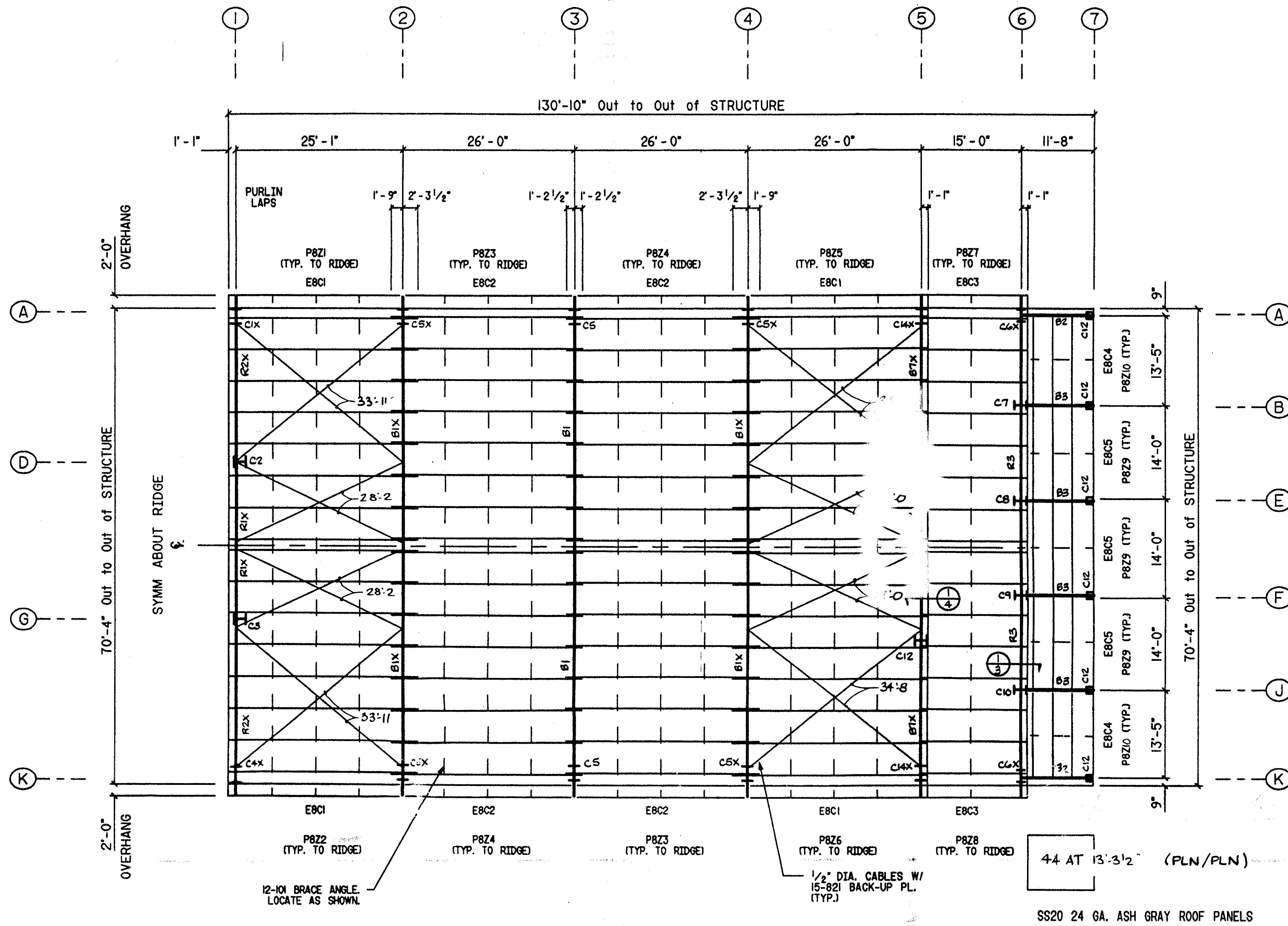
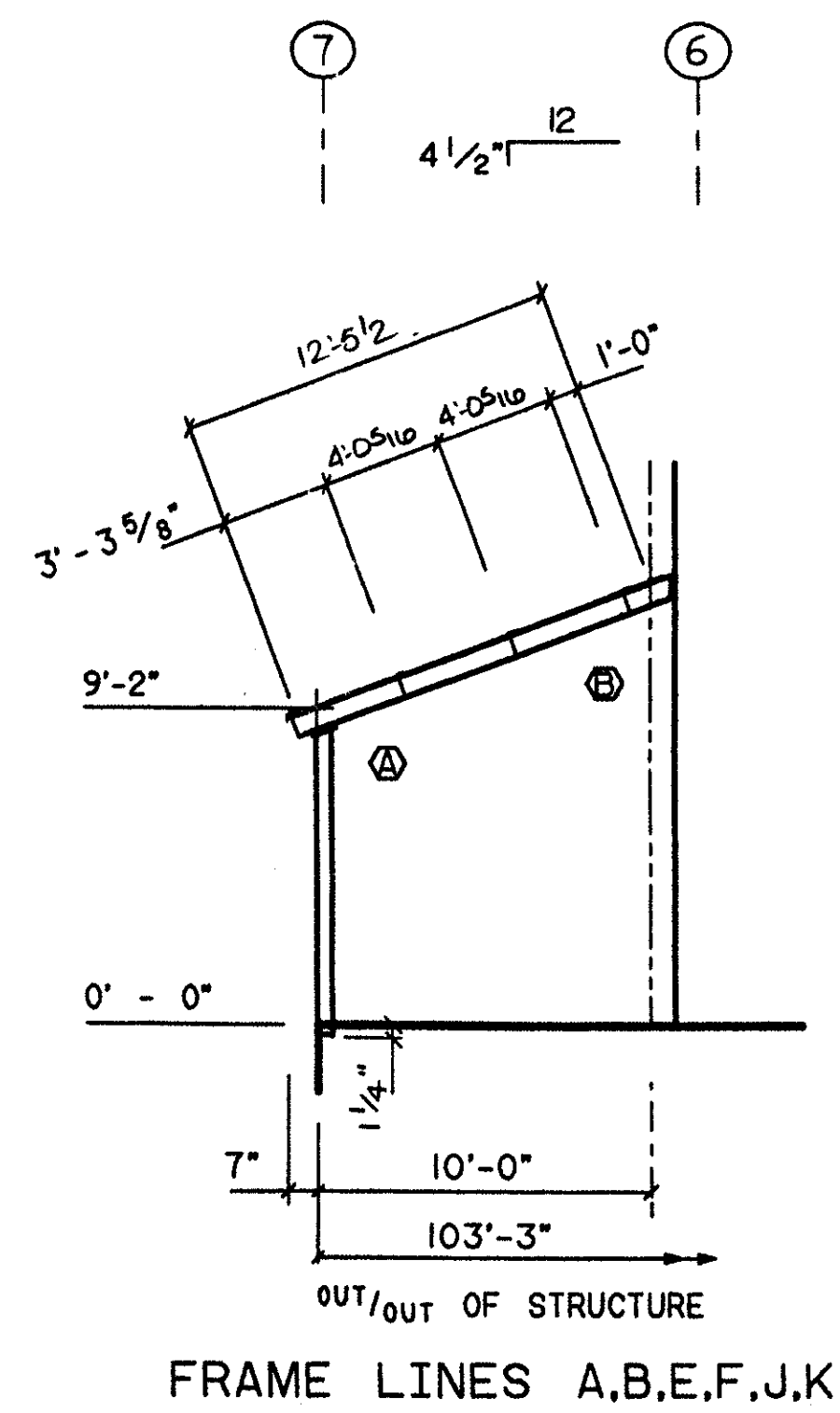


78 AT 40-3/4
PLAIN / PLAIN

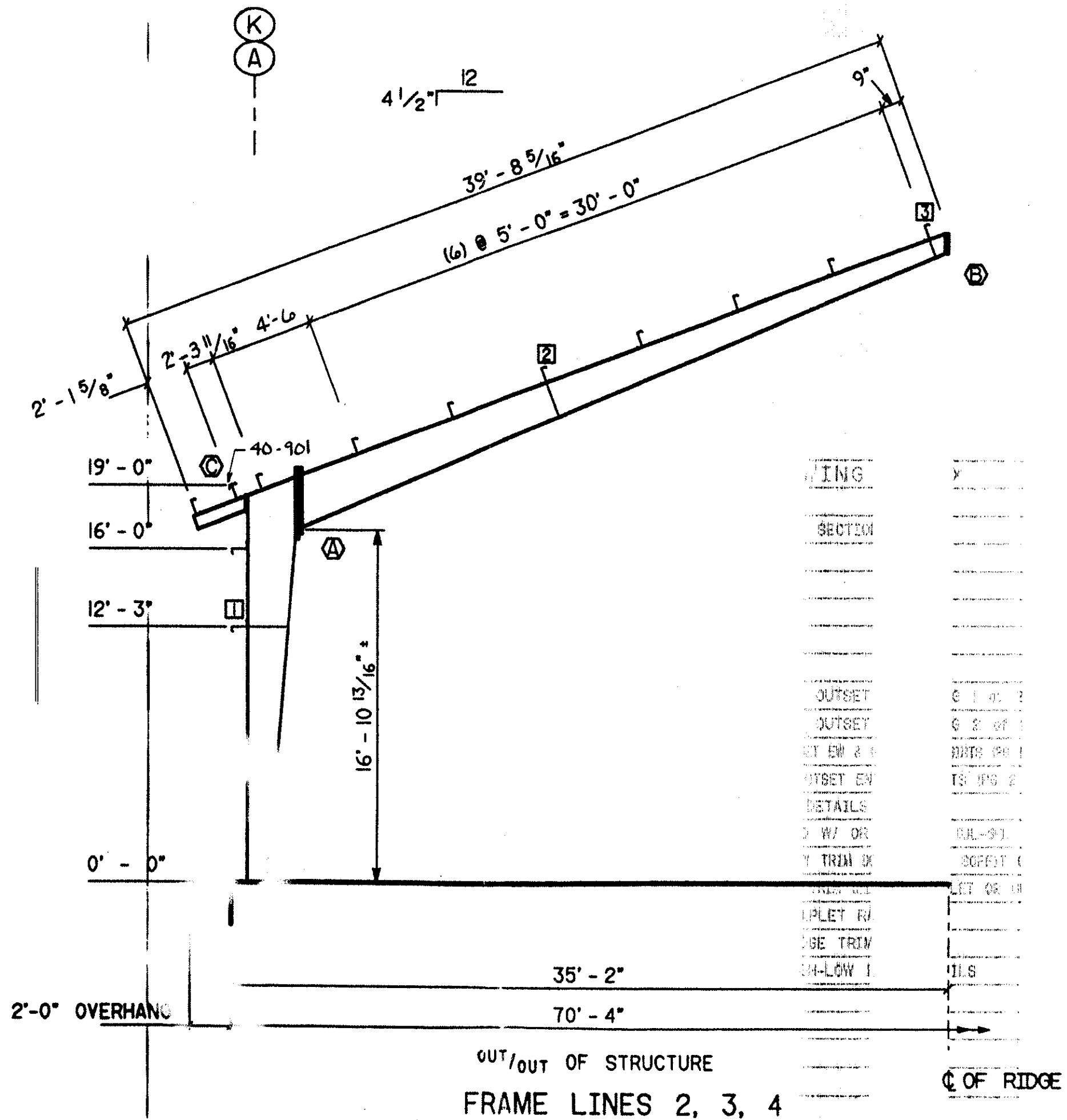
SS20 24 GA. ASH GRAY ROOF PANELS



NOTE:
NO ATTACHMENT OF
BACKBOARD TO INLAND
STRUCTURE IS ALLOWED



- BOLTS & NUTS**
- Ⓐ (4) - 3/4"ø x 1 3/4"
 - Ⓑ (4) - 3/4"ø x 1 3/4"
 - W/ 17-112 ANGLE W/ WASHERS



- BOLTS & NUTS**
- Ⓐ (16) - 3/4"ø x 2"
 - Ⓑ (8) - 3/4"ø x 2"
 - Ⓒ (4) - 3/4"ø x 1 3/4"
- FLG BRACES**
- 12-201
 - ▣ 12-202
 - ▤ 12-203

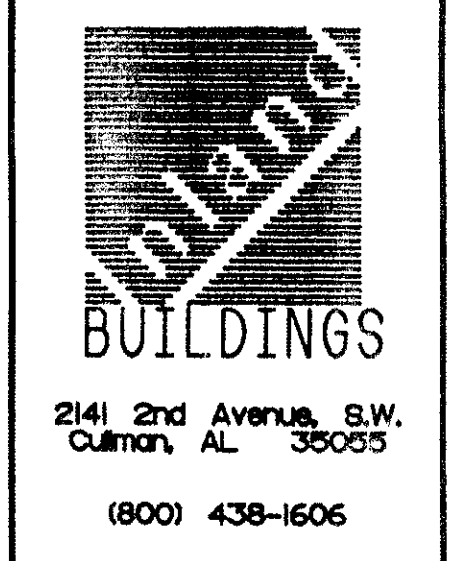
NO.	DRAWING INDEX
1	ANCHOR BOLT PLAN
2	ROOF PLAN / CROSS SECTIONS
3	ELEVATIONS
4	ELEVATIONS
961-051	INTERIOR FRAME W/ OUTSET GIRTS (PG 1 of 2)
962-052	INTERIOR FRAME W/ OUTSET GIRTS (PG 2 of 2)
951-151	ENDWALL FRAME W/ OUTSET EW & OUTSET SW GIRTS (PG 1 of 2)
951-153	ENDWALL FRAME W/ OUTSET ENDWALL GIRTS (PG 2 of 2)
951-301	CANOPY STRUCTURE DETAILS
963-601	SS20 ROOF PNL STD W/ OR W/O T.B. (UL-90)
961-611	SS20 ROOF PNL CANOPY TRIM DETAILS W/ SOFFIT (UL-90)
951-621	SS20 ROOF PNL EAVE TRIM (SIMPLE, CHAPLET OR GUTTER)
951-622	SS20 ROOF PNL CHAPLET RAKE TRIM
962-623	SS20 ROOF PNL RIDGE TRIM DETAILS
951-624	SS20 ROOF PNL HIGH-LOW EAVE DETAILS
951-803	RW WALL PANEL

SCALE: DATE

DRAWN: JAR 7/3/97

CHECKED: JEW 7/23/97

DESIGNER:



ROOF PLAN / CROSS SECTIONS

Job: CHRIST EPISCOPAL CHURCH

Location: COVINGTON, LA

Builder: CHRIST EPISCOPAL CHURCH

NO.	DATE	BY	REVISION

JOB NO. N7287-01

DWNG. NO. 2