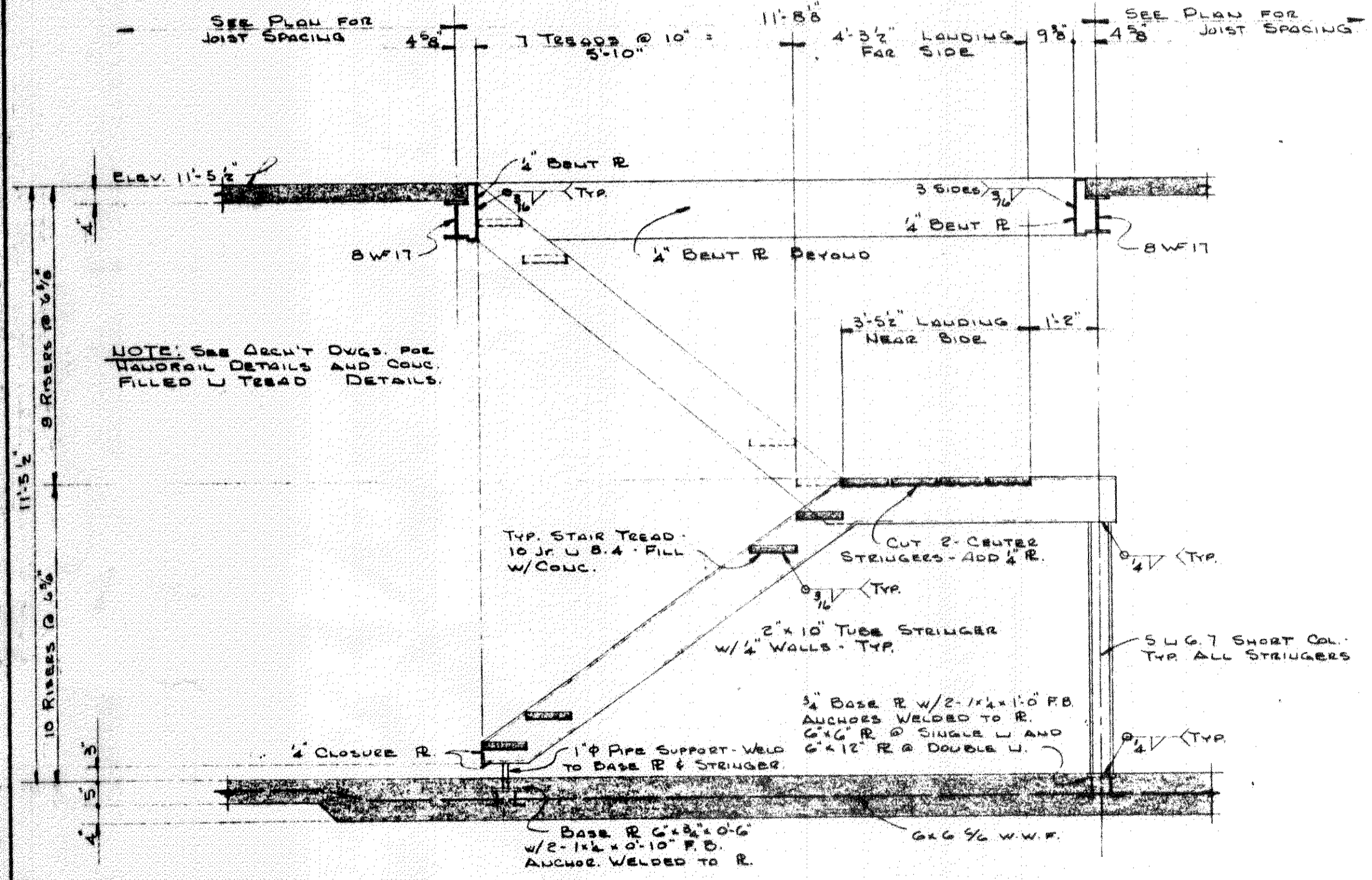
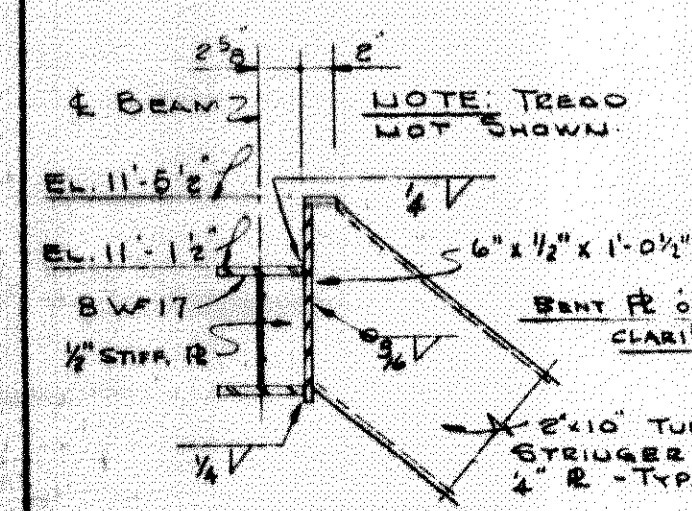


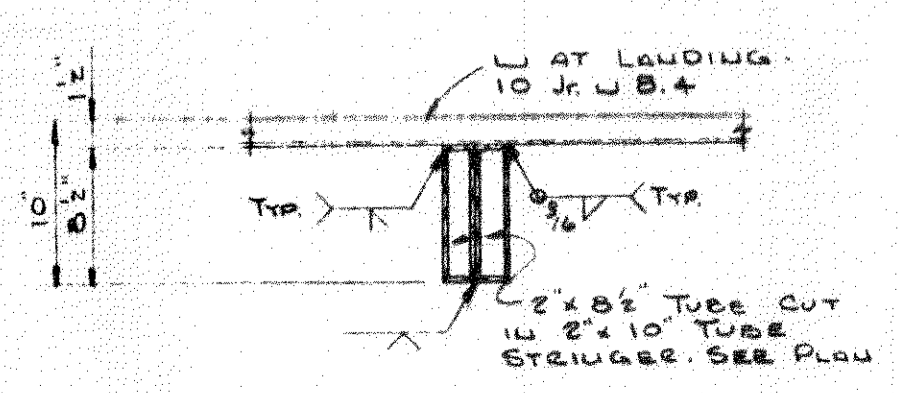
PLAN AT STAIR



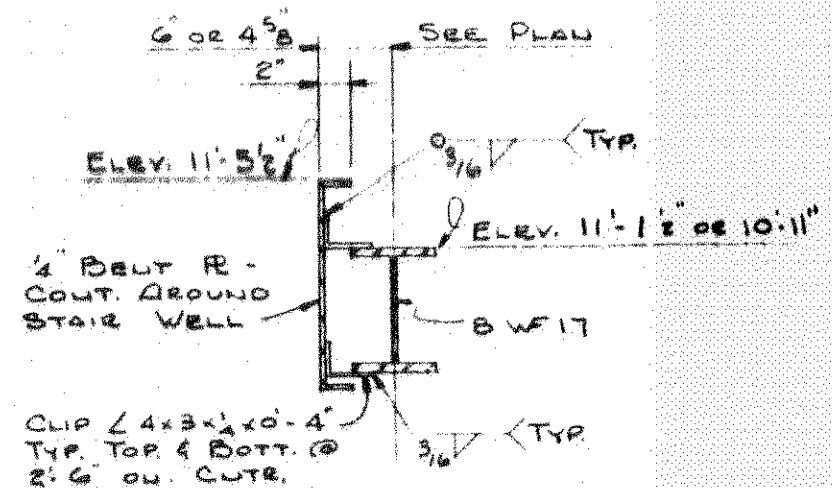
SECTION 1-1



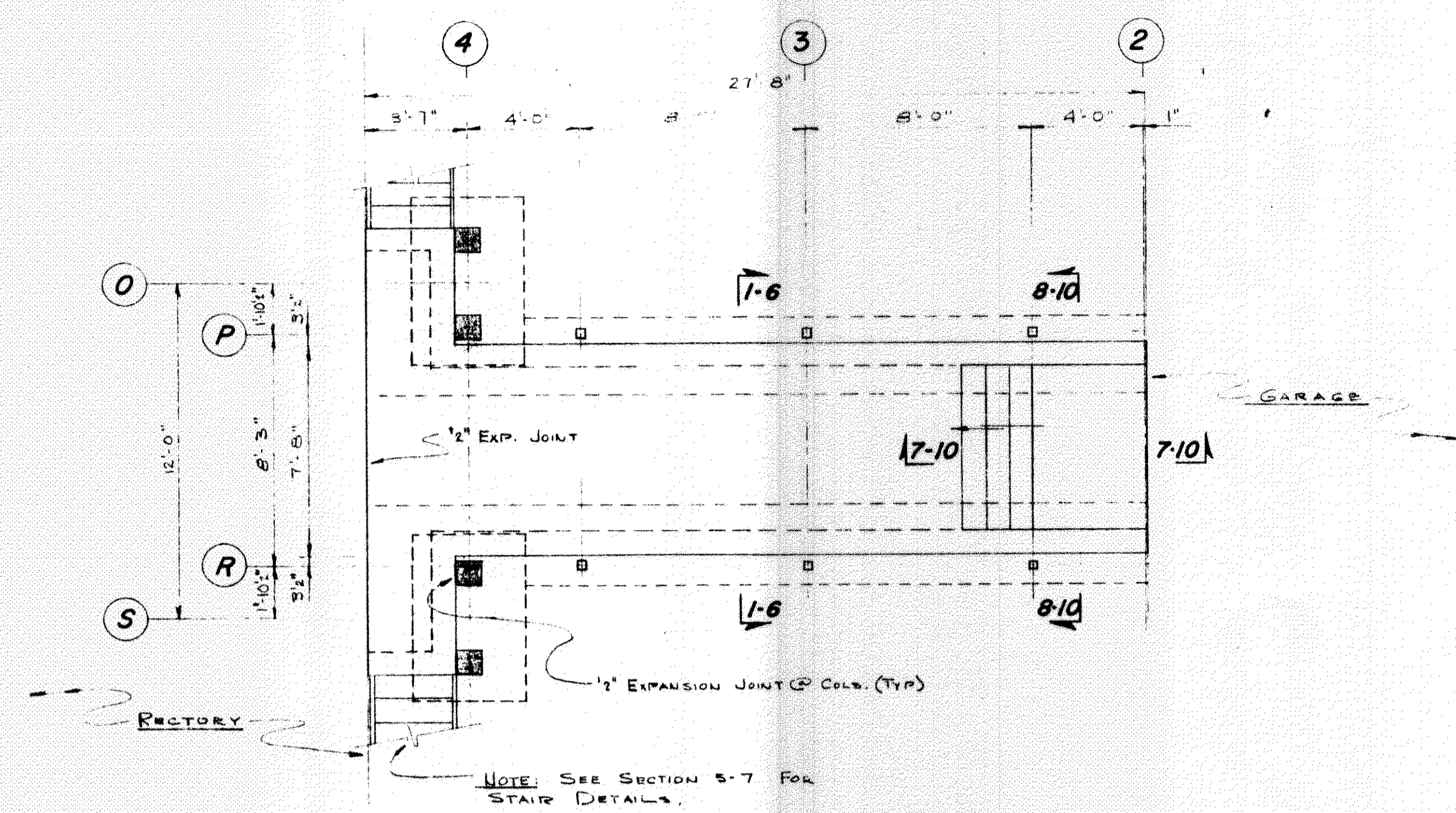
SECTION 2-2



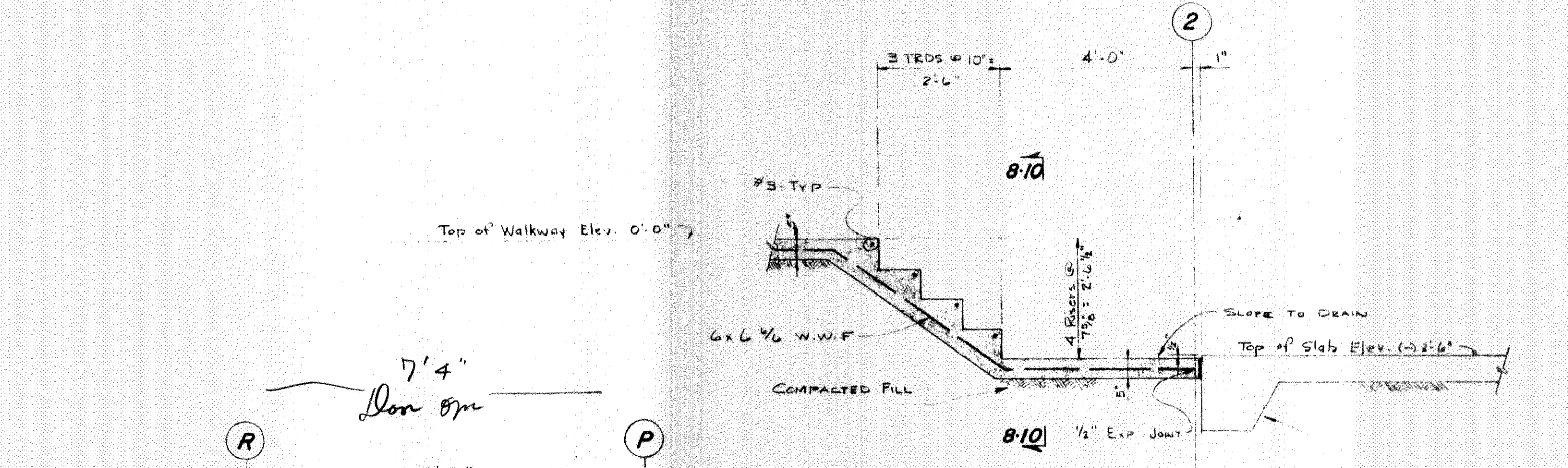
SECTION 3-3



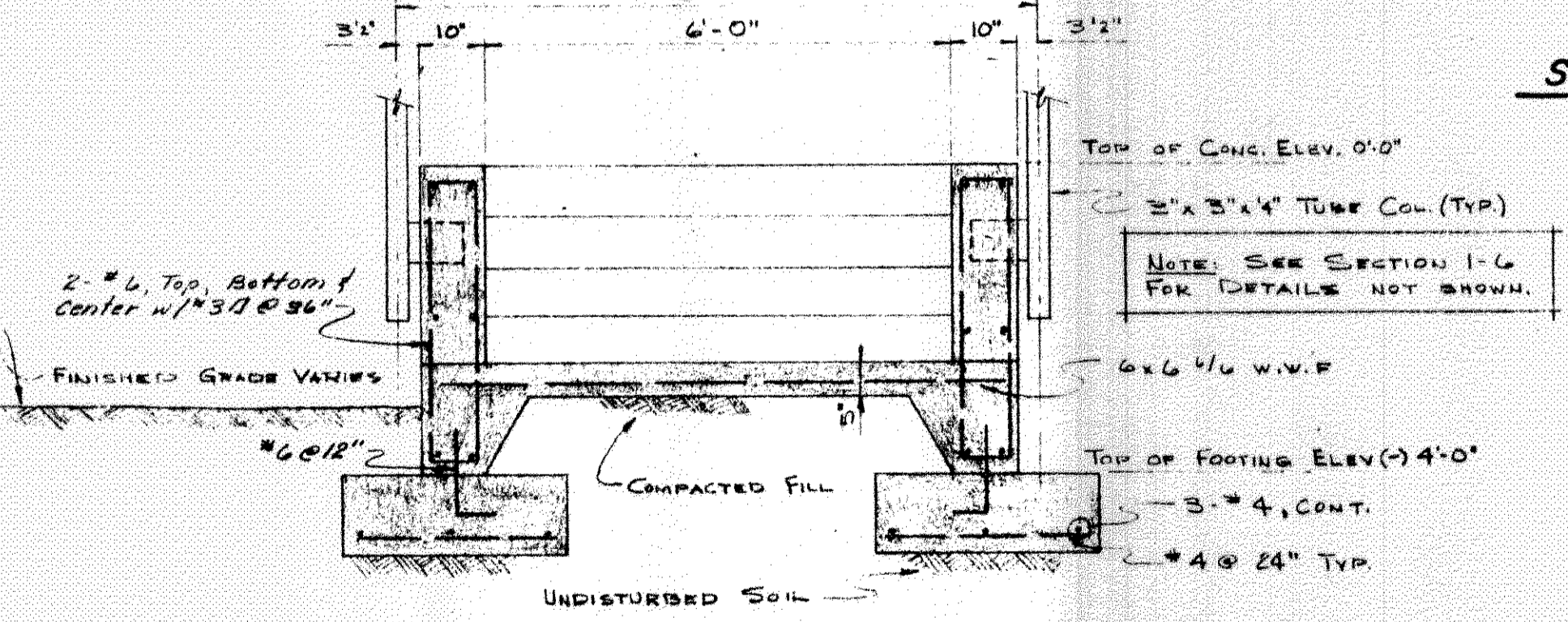
SECTION 4-4



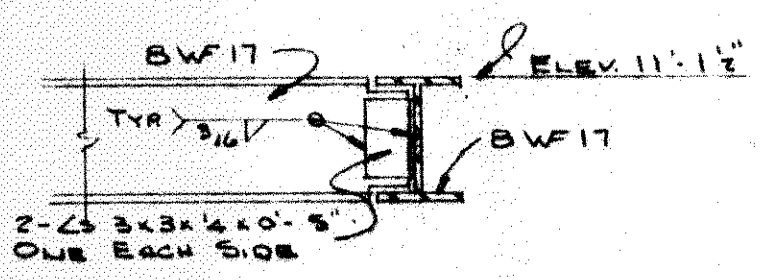
COVERED WALK PLAN - RECTORY TO GARAGE



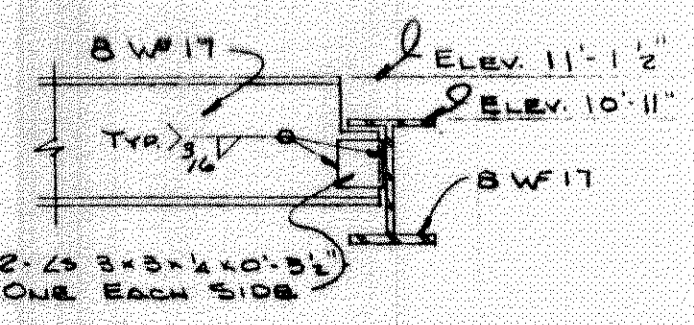
SECTION 7-7



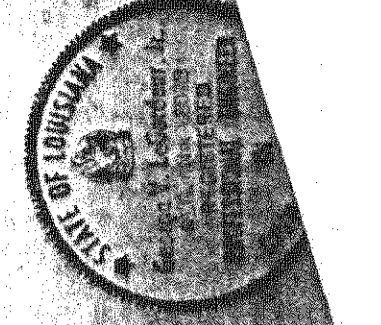
SECTION 8-8



SECTION 5-5



SECTION 6-6



our lady of lourdes catholic church and rectory
 Metairie, Louisiana

date 12-7-61
 scale 1/4" = 1'-0"
 drawn J.D. F.E.
 checked J.D.
 1015

1015