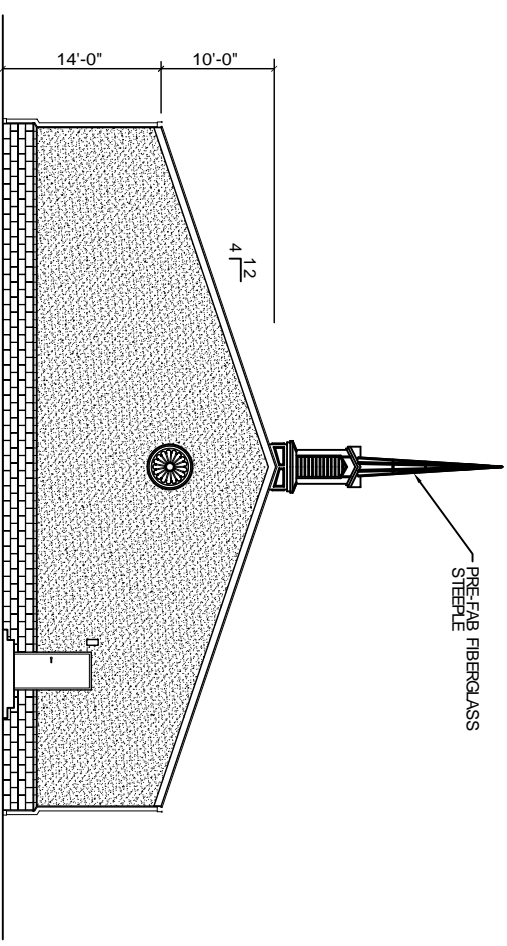
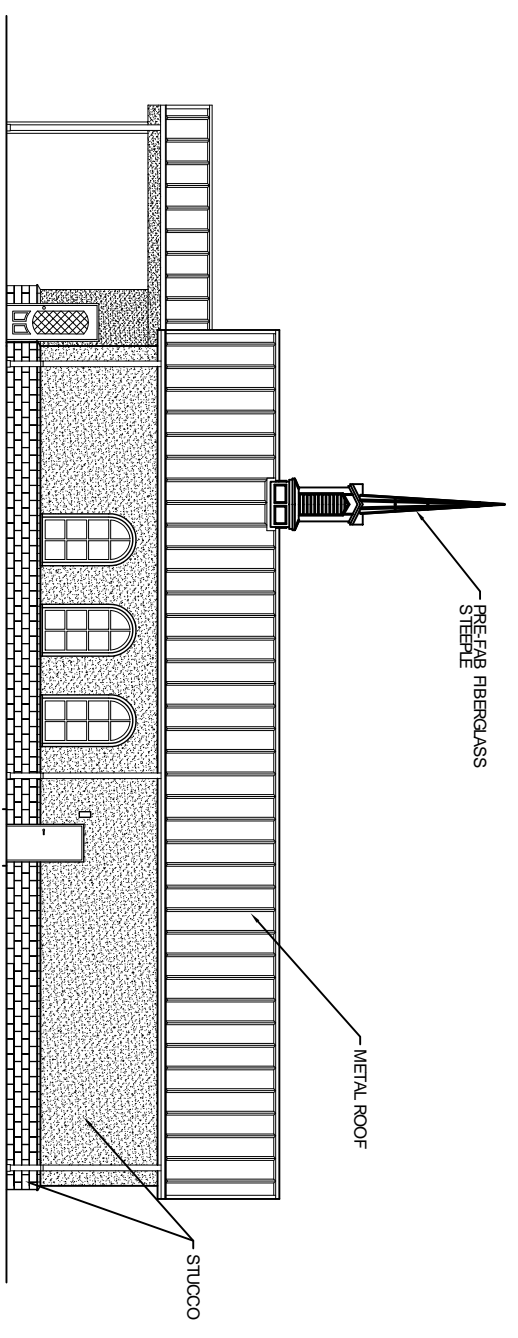


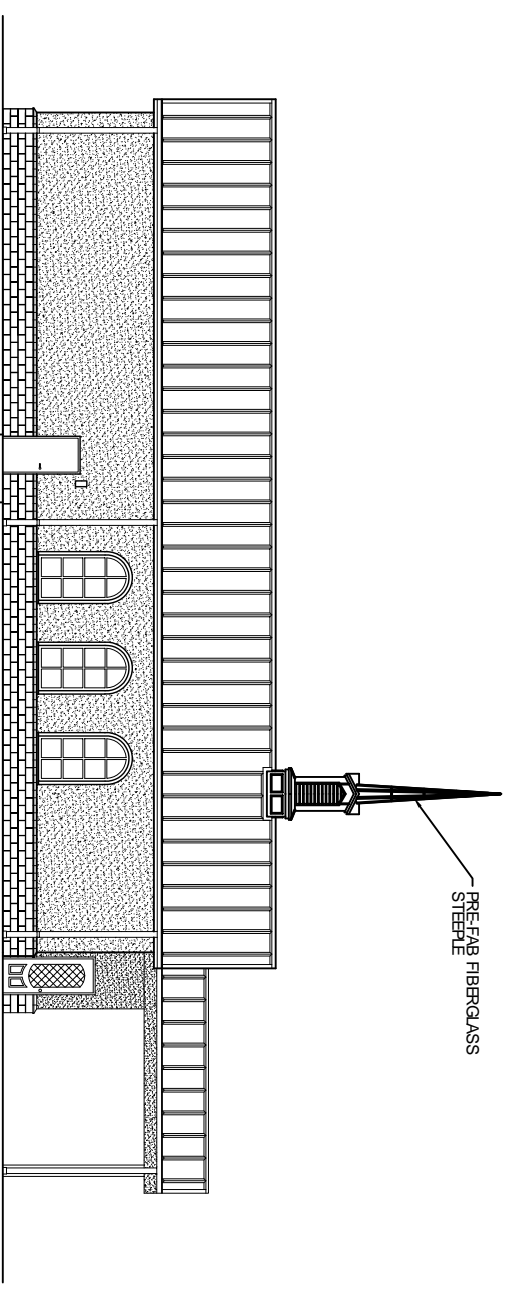
FRONT-EAST ELEVATION
SCALE: 1/8" = 1'



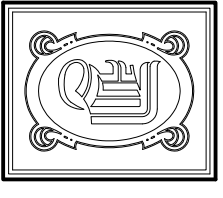
REAR-WEST ELEVATION
SCALE: 1/8" = 1'



SIDE-NORTH ELEVATION
SCALE: 1/8" = 1'



SIDE-SOUTH ELEVATION
SCALE: 1/8" = 1'



DAMMON
ENGINEERING, INC

CHIEF ENGINEER
EMMETT
DAMMON, P.E.
CHIEF ARCHITECT
ROBERT
WILTSE

1095 FLORIDA AVENUE
SUDBELL, LA. 70456
OFFICE: 985-649-5832
FAX: 985-641-5950

WEBSITE:
WWW.DAMMONENGINEERING.COM
EMAIL:
DAMMONENG@Bellsouth.net

ARCHITECTURE
ENGINEERING
STUDIES
PLANNING
INVESTIGATION
EXPERT WITNESS

**NEW
CHURCH**

TABERNACLE
BAPTIST CHURCH
2445 FOURTH ST.
SUDBELL, LA

**CHURCH
ELEVATIONS**

REV:

SCALE: AS NOTED

JOB#: 2050

DATE: 2-8-10

SHEET 14

A-3

OF 25