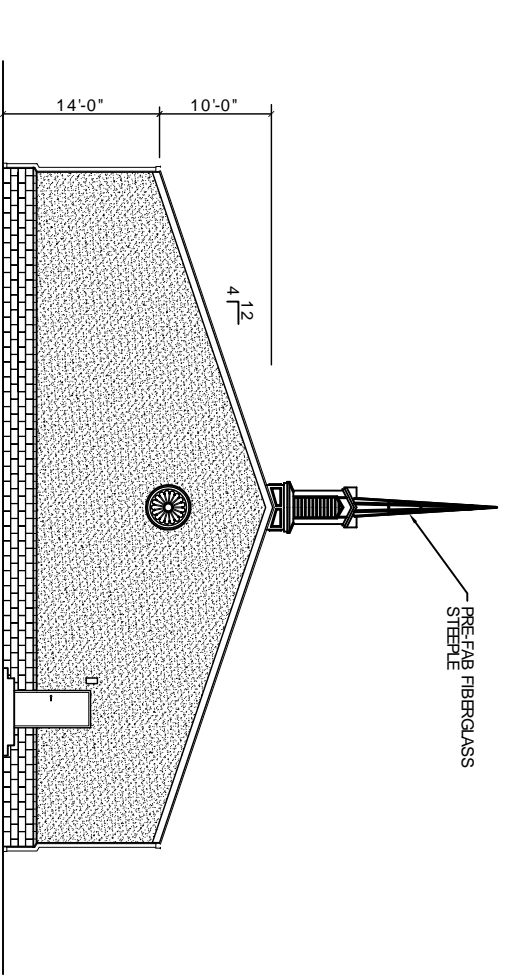


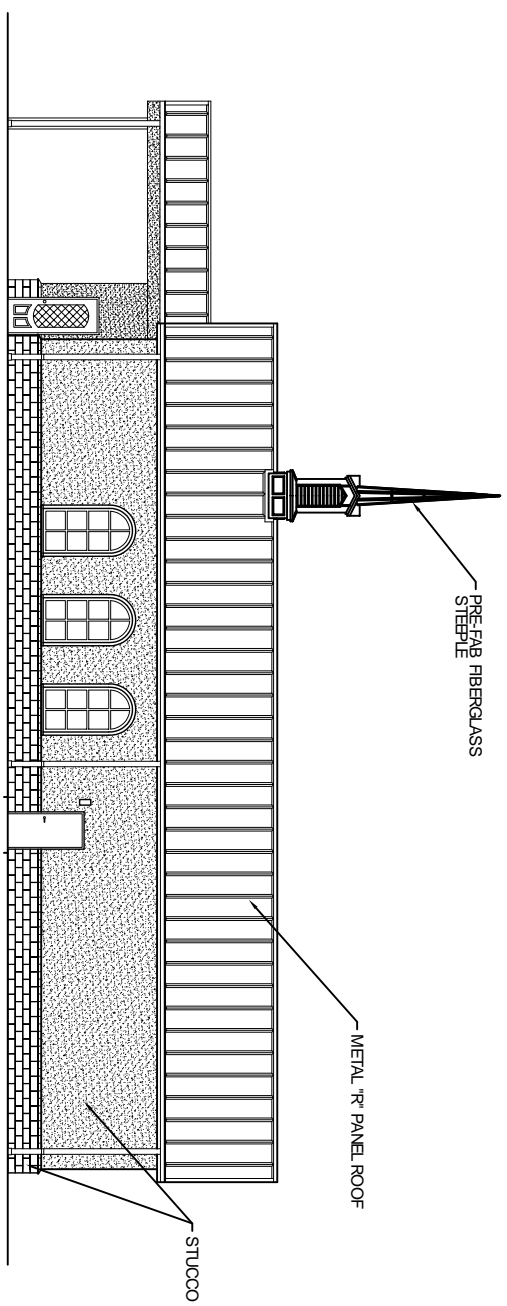
FRONT-EAST ELEVATION

SCALE: 1/8" = 1'



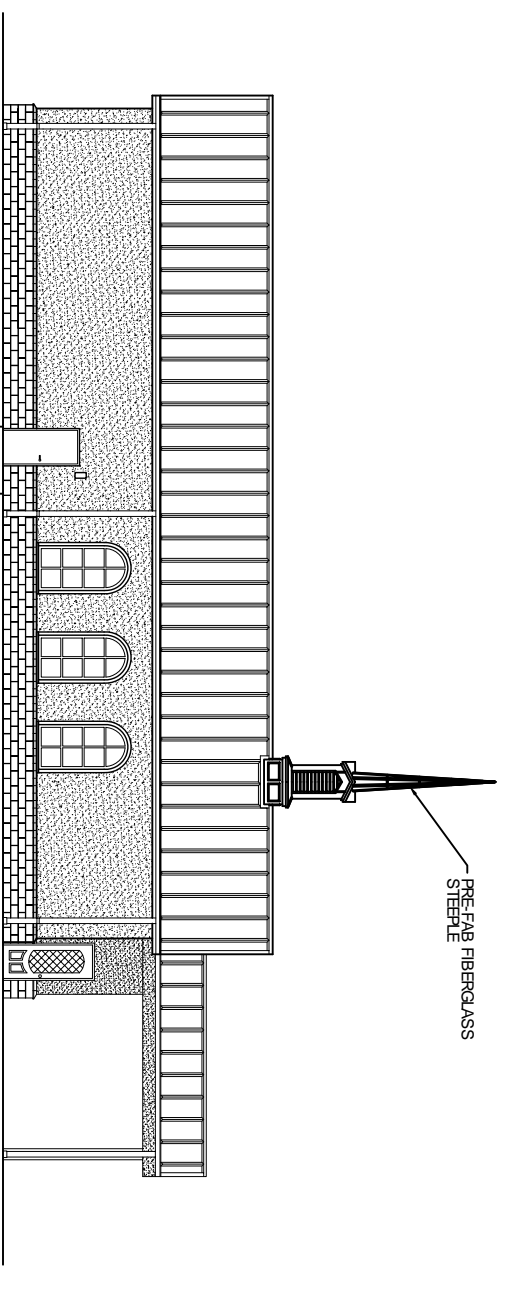
REAR-WEST ELEVATION

SCALE: 1/8" = 1'



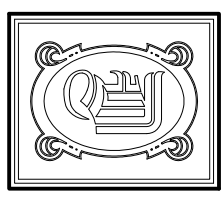
SIDE-NORTH ELEVATION

SCALE: 1/8" = 1'



SIDE-SOUTH ELEVATION

SCALE: 1/8" = 1'



DAMMON
ENGINEERING, INC.

CHIEF ENGINEER
EMMETT
DAMMON, P.E.

CHIEF ARCHITECT
ROBERT
WILTSE

1095 FLORIDA AVENUE
SLIDELL, LA. 70456
OFFICE: 985-649-5932
FAX: 985-641-5950

WEBSITE:
WWW.DAMMONENGINEERING.COM
EMAIL:
DAMMONENG@BELLSOUTH.NET

ARCHITECTURE
ENGINEERING
STUDIES
PLANNING
INVESTIGATION
EXPERT WITNESS

**NEW
CHURCH**

TABERNACLE
BAPTIST CHURCH
2445 FOURTH ST.
SUDELL, LA

**CHURCH
ELEVATIONS**

REV: 4-21-10

SCALE: AS NOTED

JOB#: 2050

DATE: 2-8-10

SHEET 14

A-3

OF 25