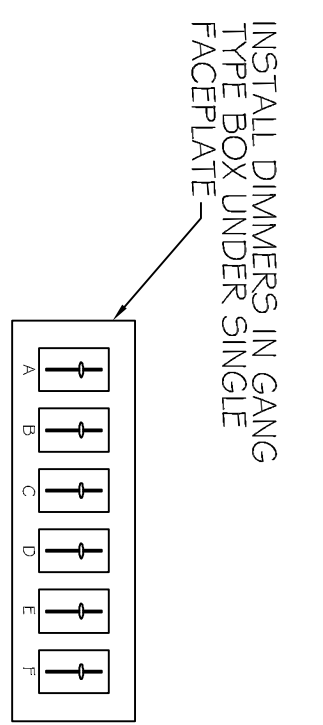


- LIGHTING PLAN NOTES:**
1. THEATRICAL LIGHTING BY OTHERS. PROVIDE EIGHT DEDICATED SINGLE PHASE 60 AMP CIRCUITS AND ONE 20 AMP DEDICATED EPSON CIRCUIT. ALL CIRCUITS IN LP-2.
 2. PROVIDE ONE DEDICATED 20 AMP CIRCUIT FOR VIDEO EQUIPMENT. TWO LOCATIONS. SEE PLAN.
 3. LIGHTING DIMMER PANEL. PROVIDE SIX 2000 WATT DIMMER CIRCUITS.

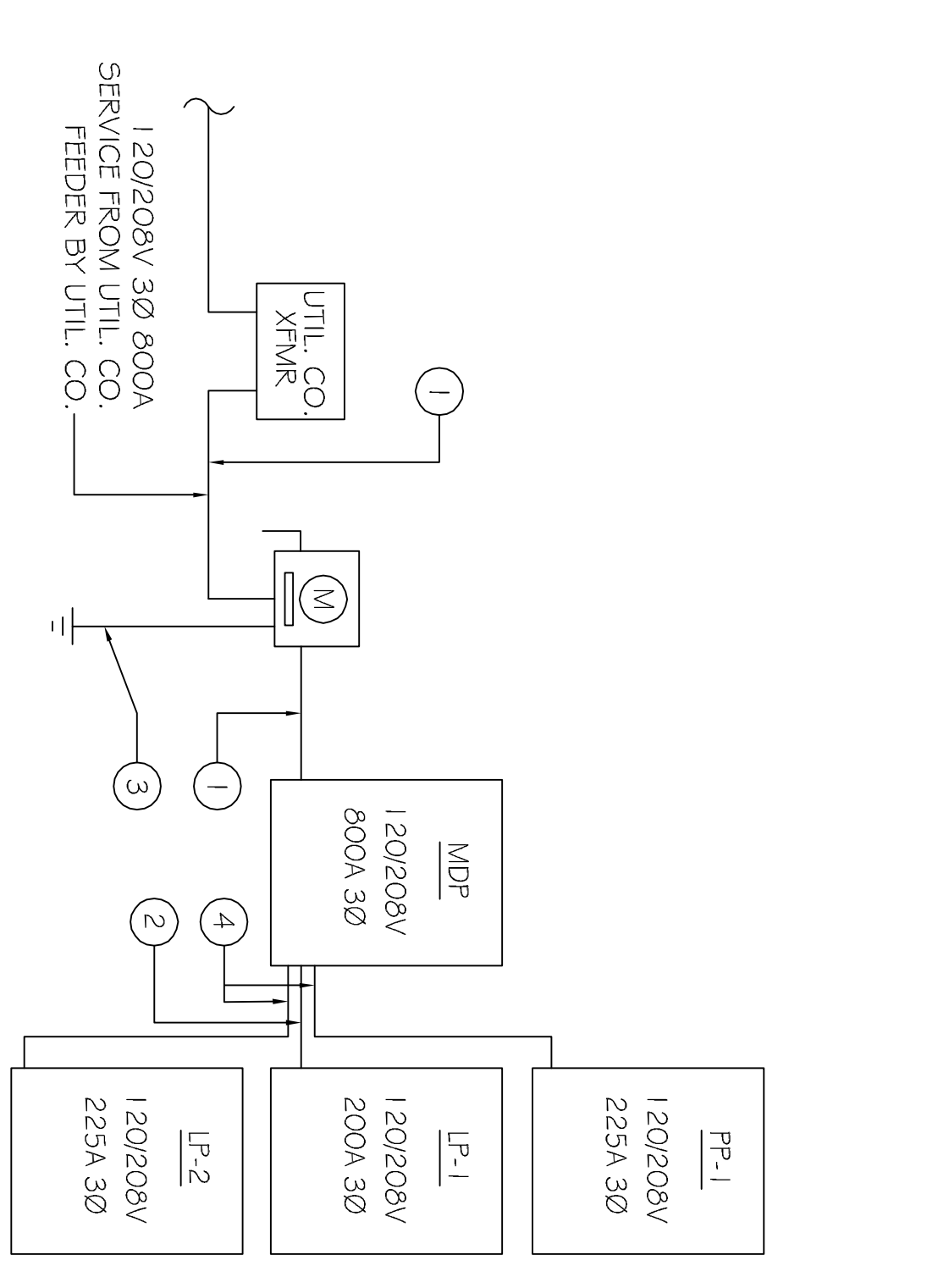
LIGHTING PLAN
SCALE: 1/8"=1'-0"

LIGHTING FIXTURE SCHEDULE			
LABEL	DESCRIPTION	MANUFACTURER PRODUCT #	LAMP/S
F1	6" RECESSED BLACK BAFFLE DOWNLIGHT, WHITE TRIM FLANGE	ELITE LIGHTING BG / BG32P WH	90PAR/HT125 130V
F2	2x4 RECESSED FLUORESCENT MTL. DIFFUSER	LITHONIA LIGHTING 2AV G 2 32 MDR GEB1 O15	2-T8 32W FLUORESCENT 120V
F3	8" OPEN DOWNLIGHT SPECULAR REFL. W/ WHT FLANGE	LITHONIA LIGHTING 8YF 1/421FT MVOLT 802AZ TRW	1-42W COMPACT FLUORESCENT 120V
F4	2x4 GENERAL PURPOSE T8 TROFFER	LITHONIA LIGHTING 2GT8 3 32 A1 2 MVOLT 1/3 GEB1 O15	3-T8 32W FLUORESCENT 120V
F5	2x4 PARAMAX PARABOLIC TROFFER	LITHONIA LIGHTING 2PM3N 3 32 18D MVOLT 1/3 GEB1 O15	3-T8 32W FLUORESCENT 120V
F6	SQUARE BASKET WRAP, 8 3/8" 21P T8 PRISMATIC ELEC. BALLAST	LITHONIA LIGHTING 5B 2 32 MVOLT GEB1 O15	2-32W T8 FLUORESCENT 120V
F7	48" LONG COMMERCIAL WALL BRACKET	LITHONIA LIGHTING WC 2 32 MVOLT GEB1 O15	2-T8 32W FLUORESCENT 120V
F8	ONE LAMP STRIP WITH ASYMMETRIC REFLEC. - FLUORESCENT	LITHONIA LIGHTING Z 1 32 MVOLT 28ASR48 GEB1 O15	1-T8 32W FLUORESCENT 120V
F9	FLOODLIGHT, TA DISTRIBUTION - METAL HALIDE	LITHONIA LIGHTING TTHM 100M TA TB FTS DDB LPI	1-100W CLEAR ED17 METAL HALIDE
F10	BUILDING MOUNTED LUMINAIRE METAL HALIDE	LITHONIA LIGHTING TWP 150M TB LPI	1-150W CLEAR ED-28 METAL HALIDE
F11	CLG. MOUNTED COMPACT FLUORESCENT KEMLES5	LEVITON 9860	1-1 3W GU24 COMPACT FLOUR.
EM	EMERGENCY EGRESS LIGHT W/ 90 MIN. BATTERY BACKUP	EELP LIGHTING EMI	2-5.4W HALOGEN
EX	WALL MOUNTED LED EXIT SIGN	EELP LIGHTING XE 2 R W EM	LED
EMI	WET LOCATION LISTED WALL MTD. EMER. EGRESS LIGHT	EELP LIGHTING DEM WH	2-6W ZENON

NOTES:
1. CONNECT ALL EMERGENCY / EXIT LIGHT FIXTURES TO NEAREST CONSTANT POWER SOURCE.

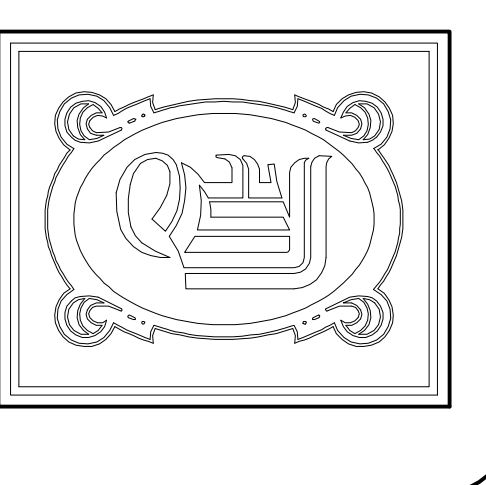


DIMMER PANEL DETAIL
SCALE: N.T.S.



- 1 6-500 MCM
 - 2 2-500 MCM N.
 - 3 3-3/0
 - 4 3-4/0
- 1/20/208V 3Ø 800A SERVICE FROM UTIL. CO. FEEDER BY UTIL. CO.
- 1-2/0 N.
2-#2 GND
2-3-5" C.
- 1-2/0 N.
1-#4 GND
1-2" C.
- 3/4" X 1/0 CU CLAD GRND ROD, GRND WIRE #4 CU, PROTECTED IN 1/2" PVC PIPE, CONNECTED TO COLD WATER SUPPLY AND METAL BUILDING ACCORDANCE WITH ARTICLE 250 OF NEC.
- MDP 120/208V 800A 3Ø
- LP-1 120/208V 200A 3Ø
- LP-2 120/208V 225A 3Ø
- PP-1 120/208V 225A 3Ø

ELEC. RISER DIAGRAM
N.T.S.



DAMMON ENGINEERING, INC.
 CHIEF ENGINEER
 EMMETT DAMMON, P.E.
 CHIEF ARCHITECT
 ROBERT WILTSE

554 OLD SPANISH TRAIL
 SLIDELL, LA, 70458
 OFFICE: 985-649-5532
 FAX: 985-641-5950

WWW.DAMMONENGINEERING.COM
 EMAIL: DAMMONENG@BELL.SOUTH.NET

ARCHITECTURE
 ENGINEERING
 STUDIES
 PLANNING
 INVESTIGATION
 EXPERT WITNESSES

2528
 OLD SPANISH TRAIL
 SLIDELL, LA
 70461

LIGHTING
 PLAN

REV:
 SCALE: AS NOTED
 JOB#: 2128
 DATE: 01-27-12
 SHEET 18