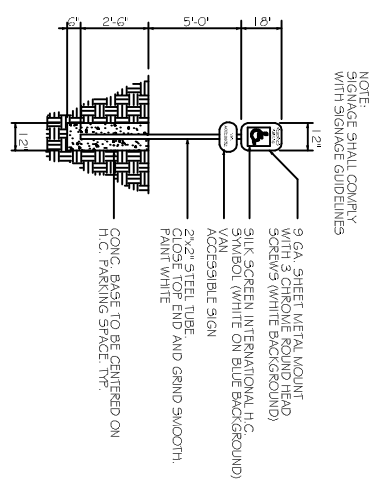
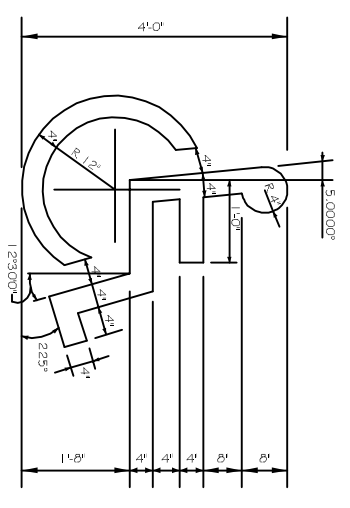


- SITE LEGEND**
- - - PROPERTY LINE
  - - - SETBACK LINE
  - - - BUFFER ZONE LINE
  - - - UTIL. EASEMENT LINE
  - - - OPAQUE BUFFER FENCE
  - - - HANDICAP PARKING
  - - - HANDICAP PARKING SIGN
  - - - LITTER RECEPTACLE
  - - - TRAFFIC ARROW



**HCP RAMP NOTE:**  
PROVIDE DETECTABLE WARNING ON RAMP CUT 1/2" DEEP GROOVES @ 2-3" O.C. SCORED INTO CONCRETE AND PAINTED TYPICAL @ ALL RAMP'S LEADING INTO VEHICULAR AREAS. (MAX SLOPE 1:12)

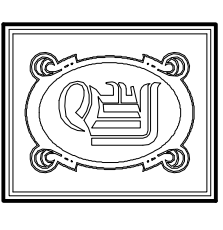
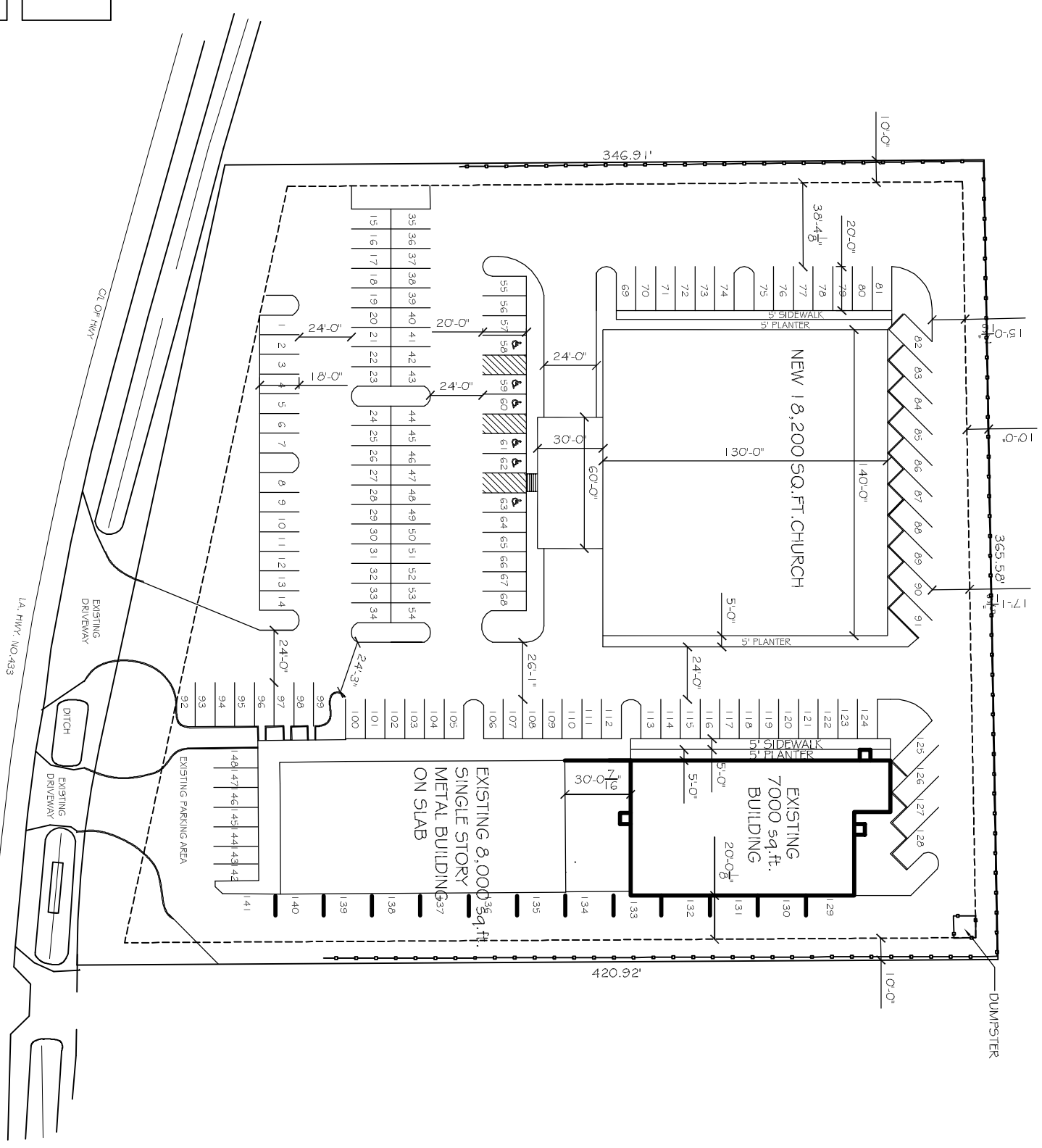
**NOTE:**  
USE SHALL COMPLY WITH SIGNAGE GUIDELINES

- 9 GA. SHEET METAL MOUNT HEAD SCREWS (WHITE BACKGROUND)
- 3/16" SCREEN INTERNATIONAL TIC VAN SOL (WHITE ON BLUE BACKGROUND) ACCESSIBLE SIGN
- 2"x2" STEEL TUBE CLOSE TOP END AND GRIND SMOOTH. PAINT WHITE
- CONC. BASE TO BE CENTERED ON 110" PARKING SPACE (11')

**PARKING REQUIREMENTS**  
1.8,200 ± f. TOTAL BLDG. AREA, 590 OCCUPANTS  
REQUIRES: 1 SPACE / 4 OCCUPANTS  
TOTAL PARKING PROVIDED = 148 SPACES (6 HCP)

**SITE LIGHTING**  
EXTERIOR LIGHTING SHALL BE SPACED OR INWARDLY DIRECTED IN SUCH A MANNER SO THAT NO DIRECT LIGHT IS SHED INTO ADJACENT PROPERTY. THE INTENSITY OF SUCH LIGHTING SHALL NOT EXCEED ONE FOOT CANDLE AS MEASURED AT THE ADJUTING PROPERTY LINE. (NVA)

- SITE PLAN NOTES**
1. ROOFING MATERIAL: METAL 99R
  2. SIDING MATERIAL: STUCCO FRONT METAL SIDING ON SIDES AND REAR UNDERGROUND.
  3. UTILITIES: ALL UTILITIES SHALL BE PLACED UNDERGROUND.



**DAMMON ENGINEERING, INC.**  
CHIEF ENGINEER  
EMMETT DAMMON, P.E.  
CHIEF ARCHITECT  
ROBERT WILTSE

554 OLD SPANISH TRAIL  
SLIDELL, LA, 70458  
OFFICE: 985-649-5932  
FAX: 985-641-5950

WEBSITE:  
WWW.DAMMONENGINEERING.COM  
EMAIL:  
DAMMONENG@BELLCSOUTH.NET

- ARCHITECTURE
- ENGINEERING
- STUDIES
- PLANNING
- INVESTIGATION
- EXPERT WITNESS

LIVING  
THE WORD  
CHURCH

2528 OLD SPANISH TRAIL  
SLIDELL, LA

REV:

SCALE: AS NOTED

JOB#: 2128

DATE: 12-19-11

SHEET

C-1

OF