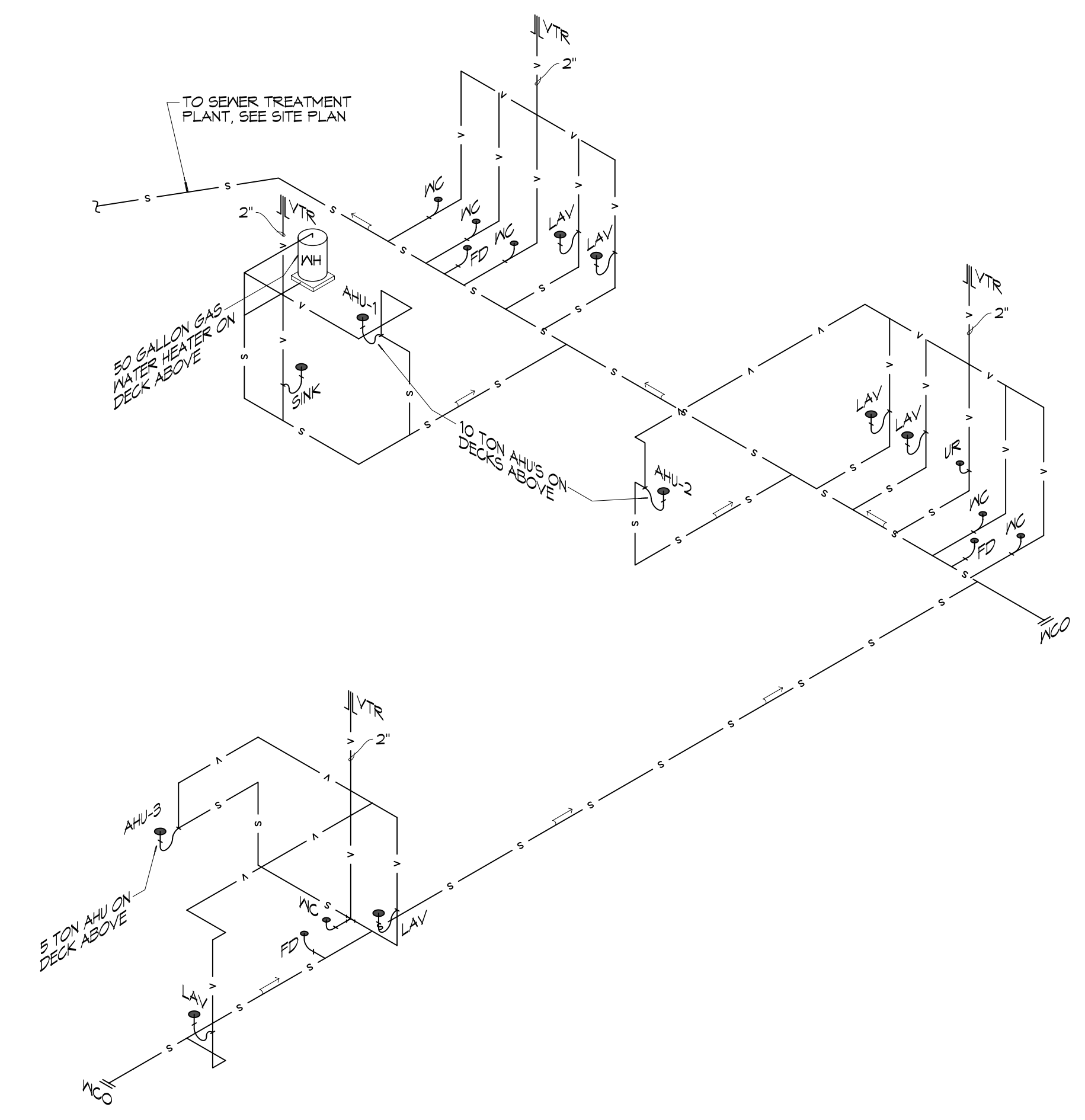
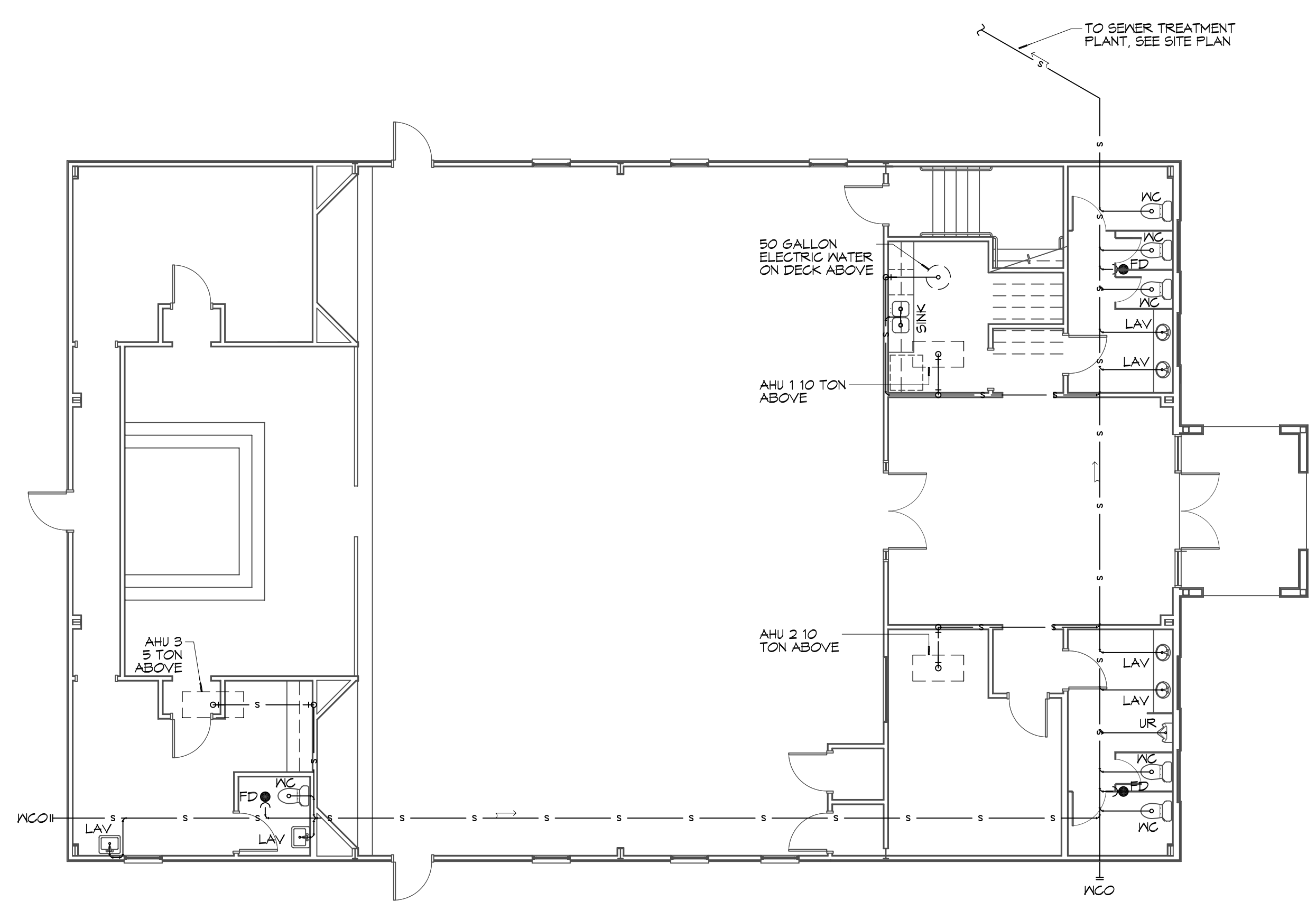


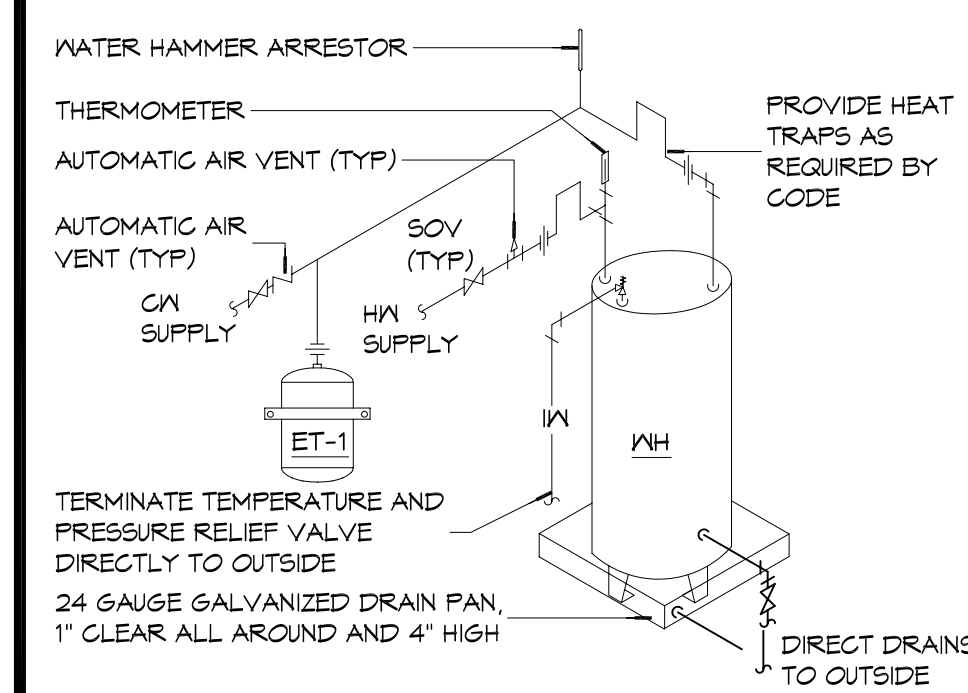
FILE NAME: \\S:_CAD\DWG\2015\2015_09_08.dwg - 100\Bachman\General\2015\2015_09_08.dwg - 100\Bachman\General\2015\2015_09_08.dwg
 PLOT DATE: 9/30/2015 10:10:10 AM
 PLOT SCALE: 1/8" = 1'-0"



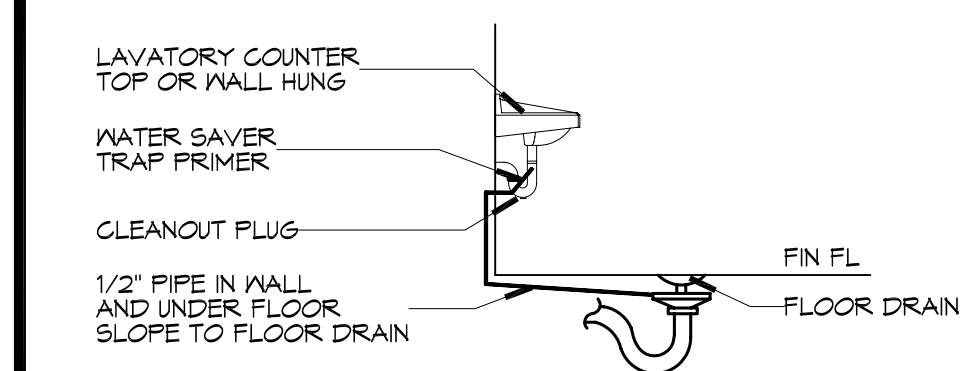
5 PLUMBING RISER - SEWER
SCALE: N.T.S.



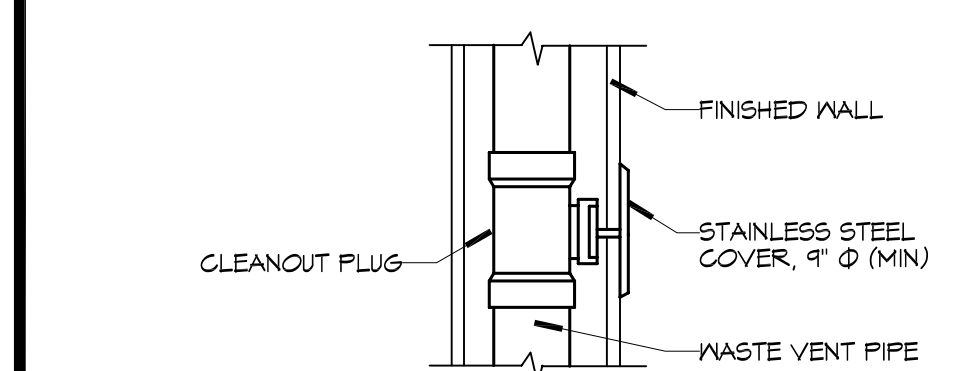
1 PLUMBING PLAN - SEWER
SCALE: 1/8" = 1'-0"



4 WATER HEATER
SCALE: N.T.S.



3 FLOOR DRAIN
SCALE: N.T.S.



2 WALL CLEANOUT
SCALE: N.T.S.

GENERAL PLUMBING NOTES - WATER

1. WATER LINES ON EXTERIOR WALLS SHALL BE ROUTED ON INTERIOR SIDE OF INSULATION.
2. NOT USED.
3. SEE PLUMBING RISER DIAGRAMS FOR PIPE SIZES NOT INDICATED ON THIS SHEET.

LEGEND

SYMBOL	DESCRIPTION
CW	COLD WATER SUPPLY PIPE (CW)
HW	HOT WATER SUPPLY PIPE (HW)
THW	TEMPERED WATER SUPPLY PIPE (THW)
GAS	GAS PIPE
+O	GLOBE VALVE
-O	TEMPERING VALVE
+O	GAS COCK
⊗	HEATER
+O	ELBON UP
-O	ELBON DOWN
+O	HOSE BIB
+O	SPRINKLER RISER

GAS EQUIPMENT SCHEDULE

DESCRIPTION	BTU INPUT
50 GALLON HOT WATER HEATER	76,000
60 GALLON HOT WATER HEATER	120,000
60 GALLON HOT WATER HEATER	120,000
RANGE	175,000
SPACE HEATER	125,000
CLOTHES DRYER	35,000
GENERATOR	1,500,000
TOTAL BTU	2,151,000

- NOTES:**
1. ALL GAS PIPE SHALL BE SCHEDULE 40 BLACK STEEL PIPE. ALL PIPE INSTALLED ON ROOF SHALL BE SUPPORTED ON A PIPE PIER SUPPORT SYSTEM. WOOD BLOCKING NOT ALLOWED.
 2. ALL GAS PIPING IS SIZED FOR A LOW PRESSURE SYSTEM. (< 2 psig OR LESS AND A PRESSURE DROP OF 0.5in. OF WATER COLUMN.)

LEGEND

SYMBOL	DESCRIPTION
S	SANITARY SEWER
DW	POTABLE/DOMESTIC WATER
V	VENT PIPE
W	WASTE WATER
GAS	GAS PIPE
C	CONDENSATE PIPE
FD	FLOOR DRAIN
OSD	OPEN SIGHT DRAIN
CO	LINE CLEAN OUT
MCO	WALL CLEAN OUT

GENERAL PLUMBING NOTES - SEWER

1. PLUMBING LINES SHOWN ARE DRAWN DIAGRAMMATIC IN NATURE AND REPRESENT CONCEPTUAL ROUTING ONLY. CONTRACTOR IS RESPONSIBLE FOR FIELD VERIFICATION OF ALL ACTUAL CONDITIONS.
2. PROVIDE ALL LABOR, MATERIAL, TRANSPORTATION, SUPERVISION, CLEAN-UP, SERVICES, AND EQUIPMENT FOR A COMPLETE OPERATING SYSTEM. THE SYSTEM SHALL INCLUDE HOT AND COLD WATER PIPING, SEWER AND VENT PIPING, INSULATION, WATER HEATER, HANGERS, VALVES, SUPPORTS WITHOUT ANY RESTRICTIONS TO VOLUME, CUT AND PATCH AS REQUIRED TO INSTALL PIPES.
3. ALL WORK AND MATERIAL SHALL CONFORM STRICTLY TO THE LATEST LOCAL CITY, PARISH, STATE AND NATIONAL GOVERNING CODES.
4. CONTRACTOR IS TO FIELD VERIFY ALL EXISTING UTILITY LOCATIONS, ELEVATIONS AND SIZES PRIOR TO COMMENCING ANY WORK. CONTRACTOR SHALL PAY NECESSARY FEES FOR THE UTILITIES CONNECTIONS.
5. CONTRACTOR IS RESPONSIBLE TO VERIFY THE EXISTING INVERTS AND SET NEW INVERTS OF SEWERAGE AND DRAINAGE PIPES.
6. SEWERAGE LINES 3-INCH AND SMALLER SHALL BE SLOPED 1/4" PER FOOT AND LINES 4-INCH AND LARGER SHALL BE 1/8" PER FOOT.
7. TEST ALL PIPING AT REQUIRED PRESSURE.
8. ALL PLUMBING SHALL BE CLOSELY COORDINATED WITH STRUCTURAL, MECHANICAL SYSTEM AND ELECTRICAL SYSTEMS TO INSURE NO TRADES WILL CONFLICT WITH EACH OTHER.
9. DO NOT SCALE DRAWINGS. SEE ARCHITECTURAL DRAWINGS FOR EXACT LOCATIONS OF DOORS, WINDOWS, WALLS, FIXTURES, ETC.
10. ALL WATER MAINS AND PIPING NOT SHOWN FOR CLARITY. ALL LOCATIONS FIELD VERIFIED.
11. DOMESTIC HOT AND COLD WATER PIPING AND FITTINGS UNDER SLAB SHALL BE ASTM B88 COPPER WATER TUBE, TYPE K, SOFT ANNEALED. NO JOINTS SHALL BE ALLOWED UNDER THE SLAB.
12. DOMESTIC WATER PIPING AND FITTINGS ABOVE THE SLAB SHALL BE ASTM B88 COPPER WATER TUBE, TYPE L. HARD DRAWN WITH COPPER PRESSURE TYPE FITTINGS, ANSI B16.22. THE JOINTS SHALL BE SOLDERED TYPE USING ASTM B52, ALLOY GRADE 95A (95-5) SOLDER.
13. SOIL, WASTE, VENT PIPING AND FITTINGS ABOVE THE SLAB SHALL BE SERVICE WEIGHT CAST IRON PIPE WITH BELL AND SPIGOT ENDS AND ONE PIECE NEOPRENE INSERT TYPE GASKET USE PGV SCHEDULE 40 OR ABS DRV PIPES AND FITTINGS WHERE PERMITTED BY CODE.
14. ALL WATER PIPING AND FITTINGS ABOVE THE FLOOR SHALL BE INSULATED WITH 1/2" THICK FIBERGLASS INSULATION AND JACKET.
15. ALL ELECTRICAL, MECHANICAL AND PLUMBING ELEMENTS PENETRATING FIRE PARTITIONS SHALL BE FIRE CAULKED. (PENETRATIONS THROUGH RATED CONSTRUCTION SHALL BE SEALED WITH A MATERIAL CAPABLE OF PREVENTING THE PASSAGE OF FLAMES AND HOT GASES WHEN TESTED IN ACCORDANCE WITH ASTM-E814.)
16. SEE ROOF PLAN FOR PLUMBING ROOF PENETRATIONS. ROUTE VENT PIPES IN ATTIC AS NECESSARY.
17. SEE SHEET C103 FOR CONTINUATION OF UTILITIES FROM POINT APPROXIMATELY FIVE FEET OUTSIDE OF BUILDING PERIMETER.
18. ALL VENTS THROUGH ROOF (VTR) SHALL BE LOCATED A MINIMUM OF 10'-0" FROM ANY MECHANICAL OR NATURAL AIR INTAKE.

DAMMON ENGINEERING, INC.
 Architects & Engineers
 www.dammonengineering.com
 info@dammon.com
 PH: 985.649.5832
 F: 985.641.5990
 Chief Architect: Kevin J. Kinchen, NCEM
 Chief Engineer: Brian Mistich, PE
 554 Old Spanish Trail
 Slidell, LA 70458

#	DESCRIPTION	DATE

SEAL:

PROMULTIS LACOMBE CHAPEL
 PROJECT LOCATION: 10000 LA HWY 494, LACOMBE, LOUISIANA 70445
 JOB NO: 2250
 DATE: SEPTEMBER 9, 2015
 CHECKED BY: JTL
 DRAWN BY: K-K

SHEET TITLE:
PLUMBING PLANS - SEWER AND WATER
 DRAWING NUMBER:
P101
 SHEET No: 12 of 14