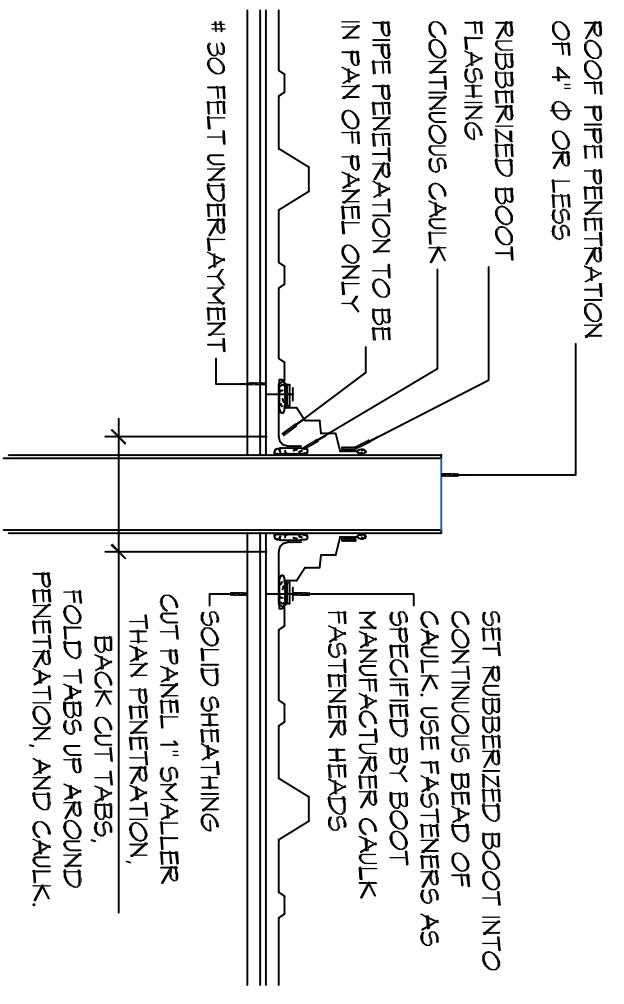
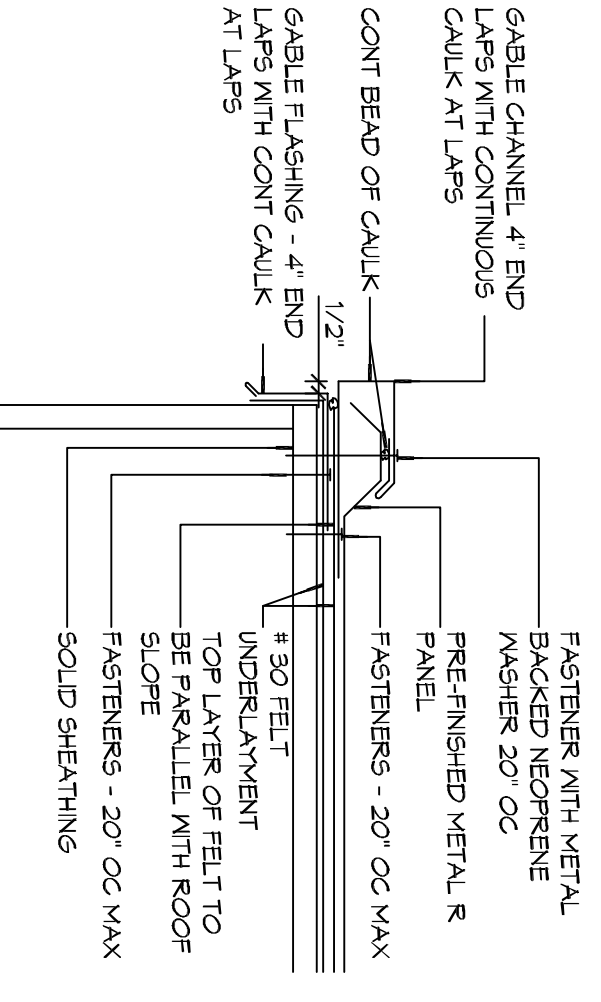


REFLECTED CEILING PLAN
SCALE: 1/8" = 1'-0"

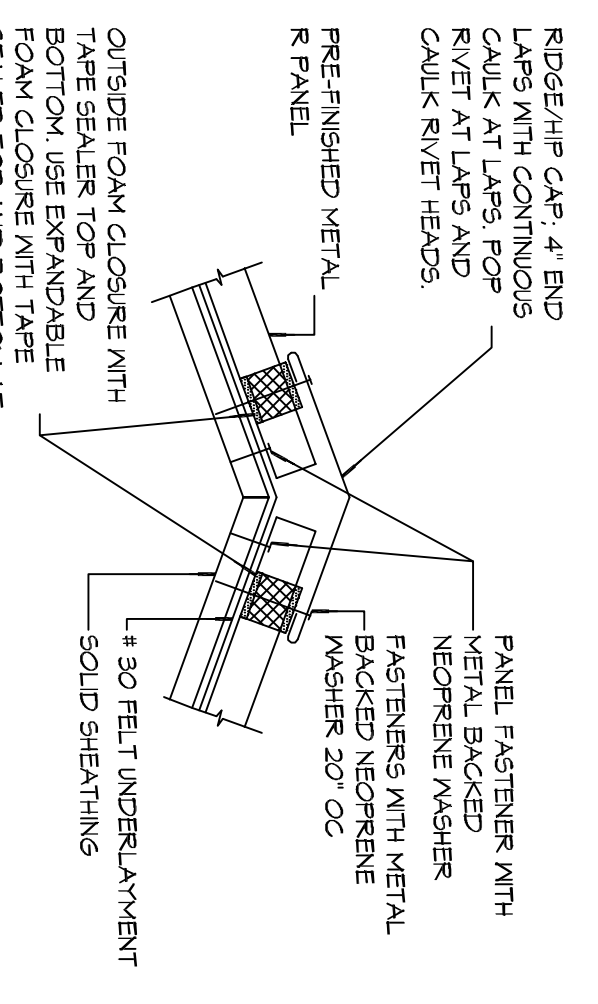
LEVEL 1



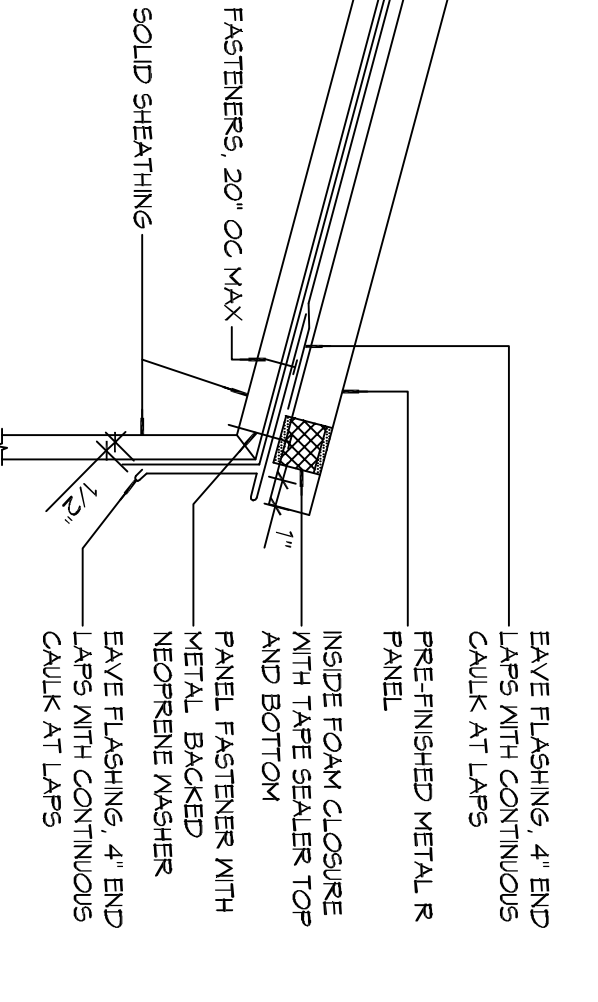
ROOF DETAIL
SCALE: NTS
TYPICAL PIPE PENETRATION



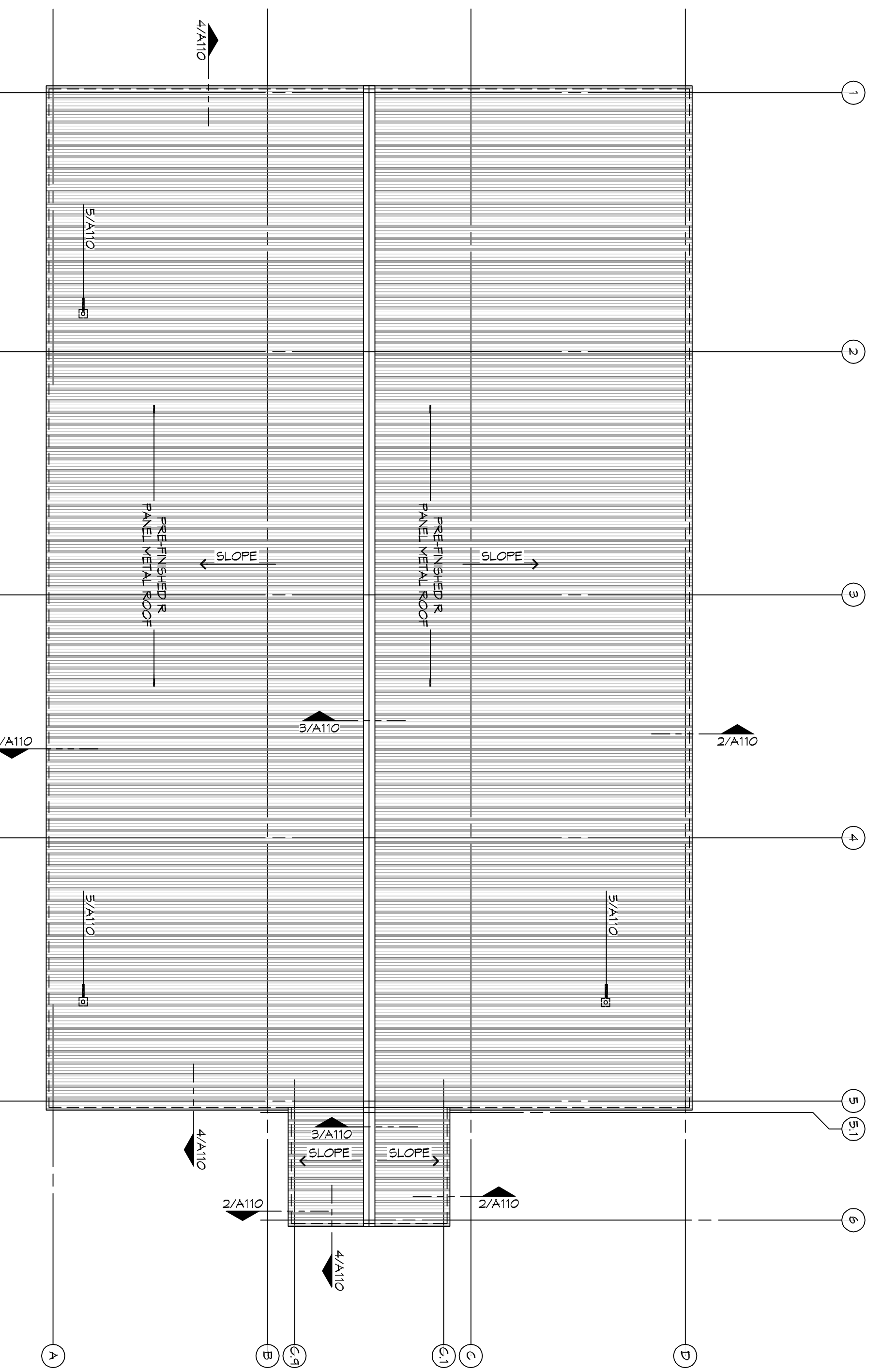
ROOF DETAIL
SCALE: NTS
TYPICAL EAVE



ROOF DETAIL
SCALE: NTS
TYPICAL RIDGE



ROOF DETAIL
SCALE: NTS
TYPICAL EAVE



1 ROOF PLAN
SCALE: 1/8" = 1'-0"

GENERAL NOTES

- MECHANICAL MEZANINE REFLECTED CEILING PLAN NOT SHOWN. NO FINISHED CEILING ASSEMBLY TO BE PROVIDED AND IS OPEN TO EXPOSED STRUCTURE. SEE SHEET E101 FOR LIGHT FIXTURE TYPES AND LOCATIONS.
- ALL CEILING HEIGHTS INDICATED ARE APPROXIMATE. ACTUAL CEILING HEIGHT TO BE DETERMINED BY STRUCTURE ELEVATION AND CEILING FLOOR (AFF). INDICATED HEIGHT IS HEADWORK ABOVE FINISH INFORMATION TO SHEET A801 FOR WALL PARTITION ASSEMBLY AND INFORMATION TO SHEET E101 FOR LIGHT FIXTURE TYPES. SEE SHEET M101 FOR DIFFUSER AND GRILLE TYPES.
- SEES TO INTERIOR ELEVATIONS FOR MOUNTING HEIGHT OF WALL MOUNTED LIGHT FIXTURES.

RCP LEGEND

SYMBOL/SYMBOL	DESCRIPTION
[Symbol]	2X4 SURFACE MOUNTED FLUORESCENT LIGHT FIXTURE
[Symbol]	1X4 SUSPENDED HIGH BAY LIGHT FIXTURES
[Symbol]	SURFACE MOUNTED FLUORESCENT LIGHT FIXTURE STRIP
[Symbol]	DIRECTIONAL SPOTLIGHT
[Symbol]	PENDANT LIGHT FIXTURE
[Symbol]	RECESSED LIGHT FIXTURE
[Symbol]	SURFACE MOUNTED LIGHT FIXTURE
[Symbol]	EXHAUST FAN
[Symbol]	HVAC SUPPLY AIR DIFFUSER
[Symbol]	HVAC RETURN AIR GRILL
[Symbol]	GYPSUM BOARD CEILING (GMB)
[Symbol]	EXTERIOR INSULATED FINISH SYSTEM (EIFS)
[Symbol]	ACOUSTICAL CEILING TILE (ACT)

GENERAL NOTES

- COORDINATE INSTALLATION OF NEW ROOF SYSTEM WITH OTHER TRADES. REPORT ANY CONFLICTS WITH ITEMS BY OTHER TRADES TO THE ARCHITECT.
- ALL FLASHING VENTS SHALL EXTEND ABOVE THE FINISHED SURFACE OF THE ROOF SYSTEM TO PROVIDE A MINIMUM OF 8" BASE FLASHING.
- ALL EXPOSED METAL FLASHING/TRIM PIECES TO BE PRE-FINISHED 24 GA STEEL UNO. PROVIDE PRE-FINISHED OR FIELD PAINT FLASHING ONLY AS NOTED.

DAMMON ENGINEERING, INC.
Architects & Engineers

Chief Architect: Kevin J. Kinchen, NCARB
Chief Engineer: Brian Misch, PE
554 Old Spanish Trail
Stidell, LA 70458

www.dammoneengineering.com
info@dammoneengineering.com
PH: 985.649.5832
F: 985.641.5950

REVISIONS	DATE
# DESCRIPTION	

PRO MULTIS LACOMBE CHAPEL

PK VORTSCH ROAD AND LA HWY 434
LACOMBE, LOUISIANA 70448

JOB NO: 2250 DATE: SEPTEMBER 3, 2015

DRAWN BY: KJK CHECKED BY: KJK

SHEET TITLE:
ROOF PLAN, REFLECTED CEILING PLAN, AND DETAILS

DRAWING NUMBER:
A110

SHEET NO:
9 OF 14