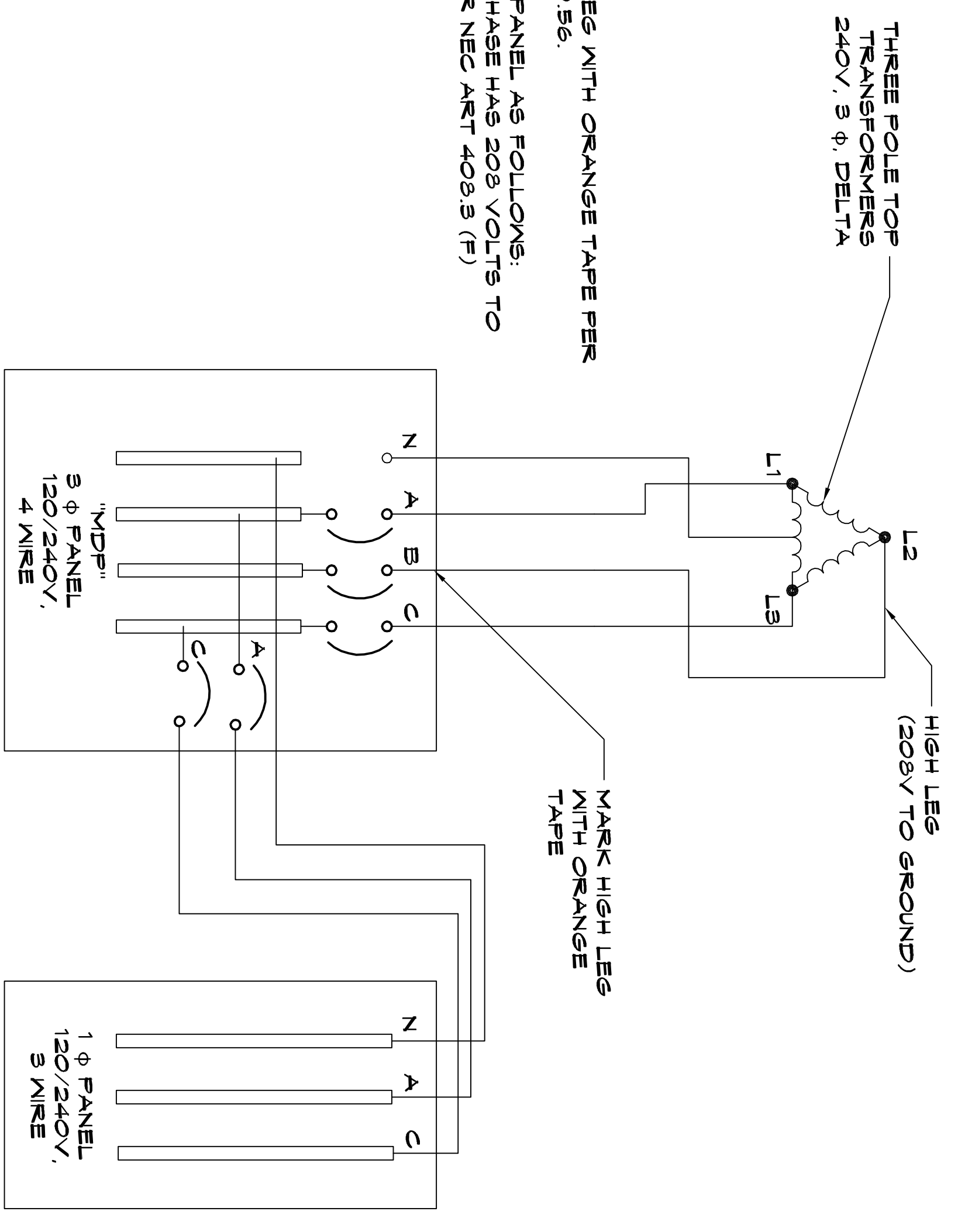


RISER DIAGRAM - EXISTING ARRANGEMENT
SCALE

- NOTES:**
1. BEFORE STARTING WORK, THE CONTRACTOR SHALL VERIFY THE SIZE OF THE SERVICE ENTRANCE CONDUCTORS AND THE CONDITION TO DETERMINE IF IT CAN BE REUSED. REPLACE IF NEEDED.
 2. REMOVE EXISTING DISTRIBUTION PANELS, DISCONNECTS, MOTOR STARTERS AND ALL ASSOCIATED ELECTRICAL EQUIPMENT.
 3. INSTALL NEW DISTRIBUTION PANELS AND ASSOCIATED EQUIPMENT.
 4. ROUTE GROUND WIRES AND BOND TO BUILDING STEEL, WATER PIPE AND GAS PPE.

RISER DIAGRAM - NEW ARRANGEMENT
SCALE



THREE PHASE, DELTA HIGH LEG WIRING DIAGRAM - NEW ARRANGEMENT
SCALE

NOTES:

1. MARK HIGH LEG WITH ORANGE TAPE PER NEC ART 250.56.
2. FIELD MARK PANEL AS FOLLOWS: "CAUTION B PHASE HAS 208 VOLTS TO GROUND" PER NEC ART 408.5 (F)



DAMMON ENGINEERING, INC.
LOUISIANA & MISSISSIPPI

Chief Engineer: Brian Mistich, PE
554 Old Spanish Trail
Slidell, LA 70458

www.dammonengineering.com
info@dammonengineering.com
PH: 985.649.5832 F: 985.641.5950

REVISIONS	
#	DESCRIPTION

GRACE FELLOWSHIP

34492 WILLIS ALLEY
PEARL RIVER LA

JOB No: 2340 DATE: 04/30/2018

DRAWN BY: CKD CHECKED BY: [Signature]

The above drawings are specifications, designs and arrangements prepared by us and shall remain the property of Dammon Engineering, Inc. No part thereof shall be copied, reproduced, or used in connection with any work or project other than the specific project for which they have been prepared and developed without written consent of Dammon Engineering. Please contact us with these drawings or specifications. Each contract shall include a copy of these drawings and specifications. All drawings shall be in accordance with the Louisiana Electrical Code, the National Electrical Code, and the applicable local codes.

SHEET TITLE:
ELECTRICAL SITE PLAN
ONE LINE DIAGRAM AND
PANEL SCHEDULE

DRAWING NUMBER:
E106

SHEET NO.: 15 of 16