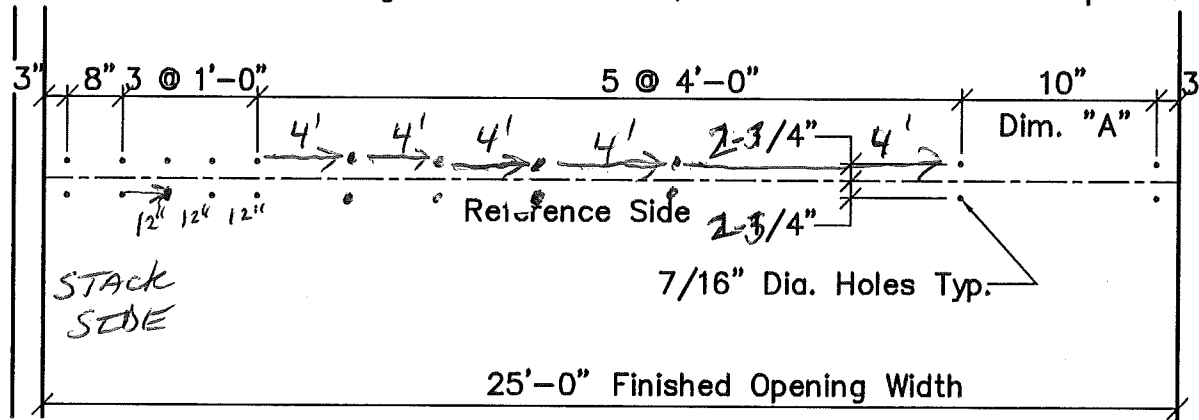


FIELD  
If "Fi  
has |  
this  
or m  
6" oi

**FIELD NOTE:**

If "Finished Opening Width" varies from what KWIK-WALL has indicated, dimension "A" should be changed to reflect this difference. Dimension "A" can be a minimum of 6" or maximum of 4'-6". If dimension "A" is less than 6" or greater than 4'-6", add or subtract 4'-0" spaces.

Field note:  
Start beam punching  
at this end



**Beam Template-Wall A**

Scale: None

22 HOLES/RODS

5 1/2" MOD  
SPACING

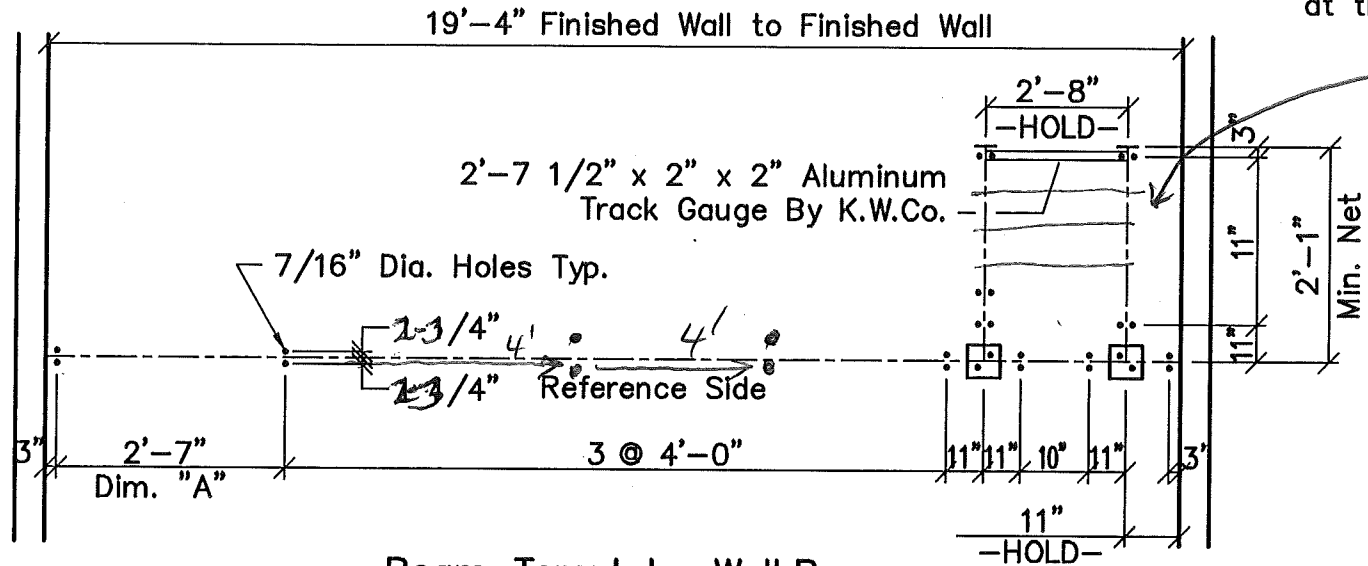
YOUTH MINISTRY

**FIELD NOTE:**

If "Finished Opening Width" varies from what KWIK-WALL has indicated, dimension "A" should be changed to reflect this difference. Dimension "A" can be a minimum of 6" or maximum of 4'-6". If dimension "A" is less than 6" or greater than 4'-6", add or subtract 4'-0" spaces.

**NOTE:**  
DO NOT CHANGE ANY "HOLD" DIMENSION WITHOUT KWIK-WALL CO. APPROVAL

Field note:  
Start beam punching at this end



**Beam Template-Wall B**  
Scale: None

30 HOLES/ROSS

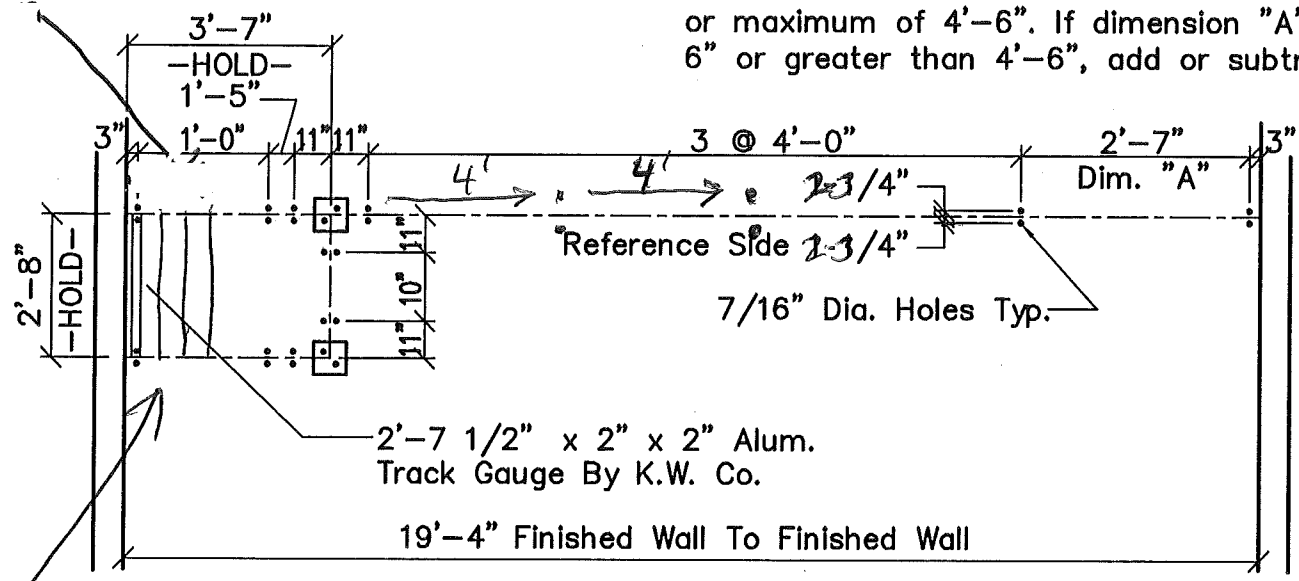
FELLOWSHIP

5 1/2" HOLE SPACING

**NOTE:**  
DO NOT CHANGE ANY "HOLD" DIMENSION  
WITHOUT KWIK-WALL CO. APPROVAL

**FIELD NOTE:**  
If "Finished Opening Width" varies from what KWIK-WALL has indicated, dimension "A" should be changed to reflect this difference. Dimension "A" can be a minimum of 6" or maximum of 4'-6". If dimension "A" is less than 6" or greater than 4'-6", add or subtract 4'-0" spaces.

Field note:  
Start beam punching  
at this end



Beam Template-Wall C  
Scale: None

OFFSET  
STACKS

30 HOLES / ROWS

5 1/2" HOLE  
SPACING

FELLOWSHIP: THIS PARTITION ON HWY 434 SIDE