

FILL CALCS
 74.05 s.f. (Section B) x 52.75' (Section A) = 3,906 c.f.
 36.35 s.f. (Section A) x 43.50' (Section B) = 3,949 c.f.
 Average Fill Calcs = 3,653 c.f.

RE-SHAPE EXISTING 25' SWALE
 3 sections of swale average 3.95 s.f. x 183 linear ft long
 Average Fill Calc for Swale = 123 c.f.

(NOTE: ALL SIDEWALKS and DRIVES ARE LEVEL WITH EXISTING GRADES)

Fill Total = 4,376 c.f.

SWALE BETWEEN BUILDING CUT CALCS
 AVERAGE AREA = 1.32 s.f. x 1.15 s.f. = 1.38 s.f.
 LENGTH OF SWALE = 183 ft
 Volume of SWALE CUT = 183 c.f.

RE-SHAPE EXISTING 25' SWALE CUT CALCS
 3 sections of swale average 4.95 s.f. x 183 linear ft long
 Average Fill Calc for Swale = 906 c.f.

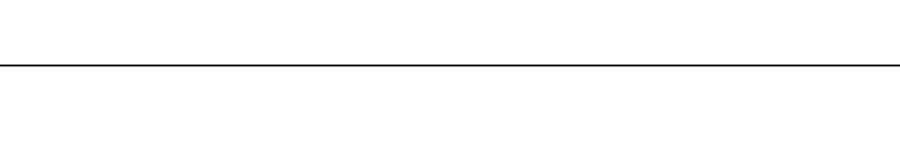
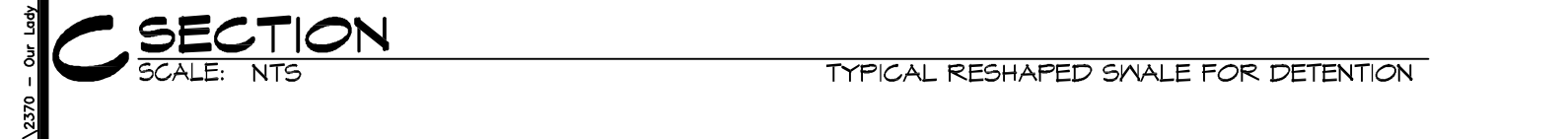
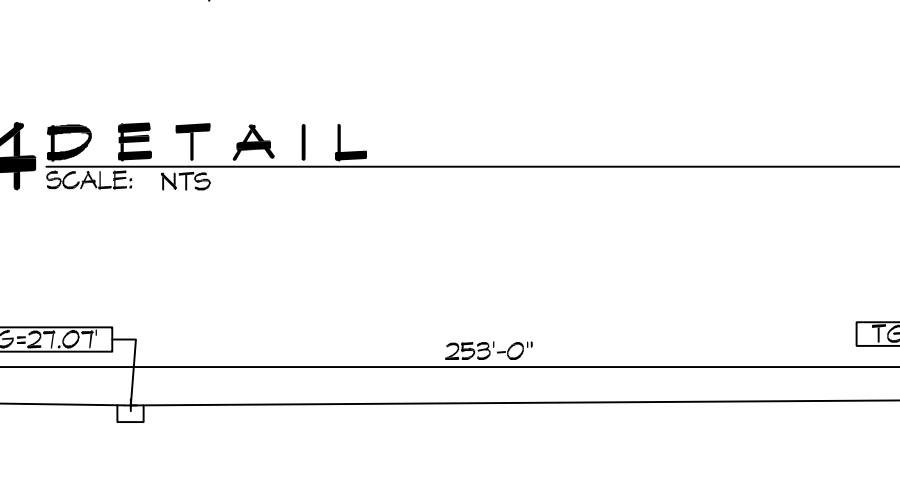
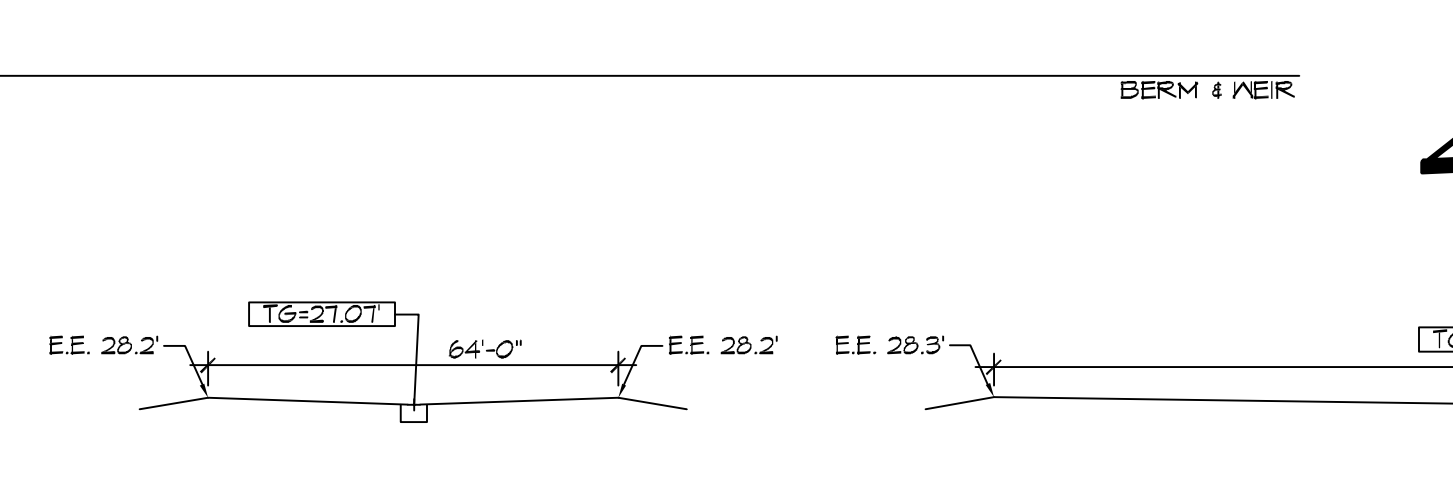
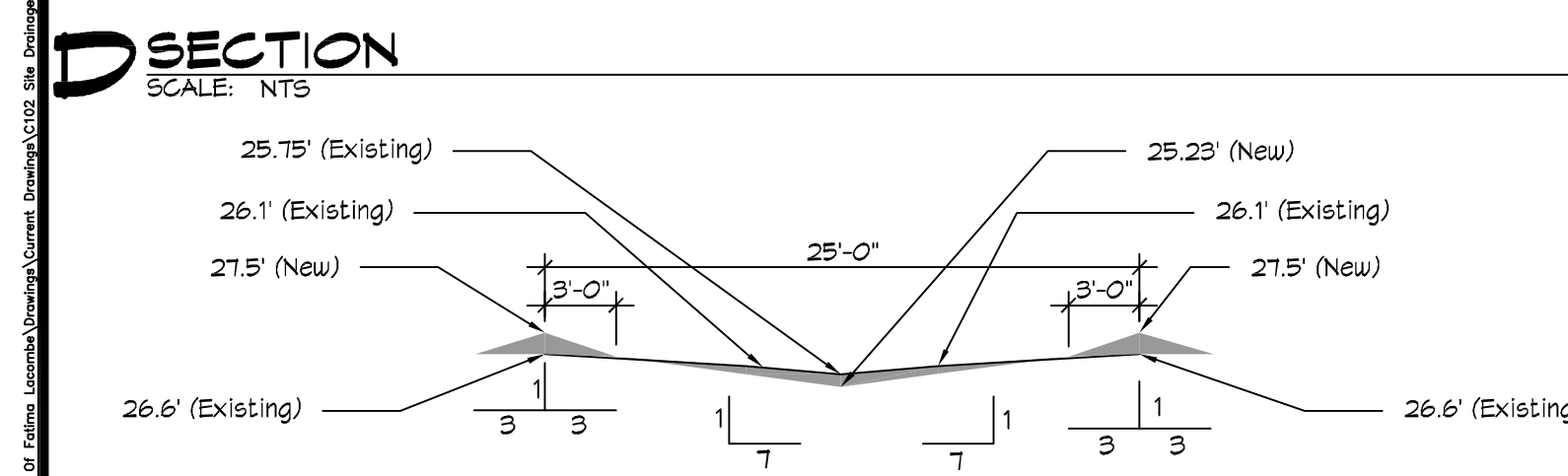
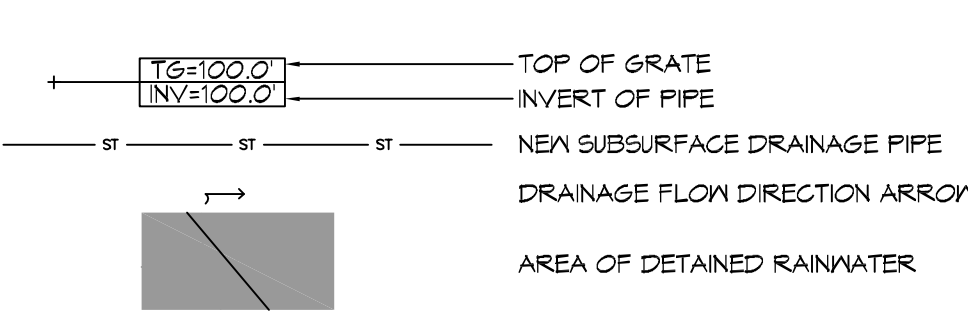
WOODED AREA CUT CALCS
 Slope the first 2 feet of the perimeter of cut area with 1H:0.2V Slope
 The area to be cut has a cross section of 85.3 s.f. and width of 40.75' (minus 2 ft for slope); 85.3 s.f. x 38.75 ft = 3,305 c.f.

CUT Totals = 4,394 c.f.

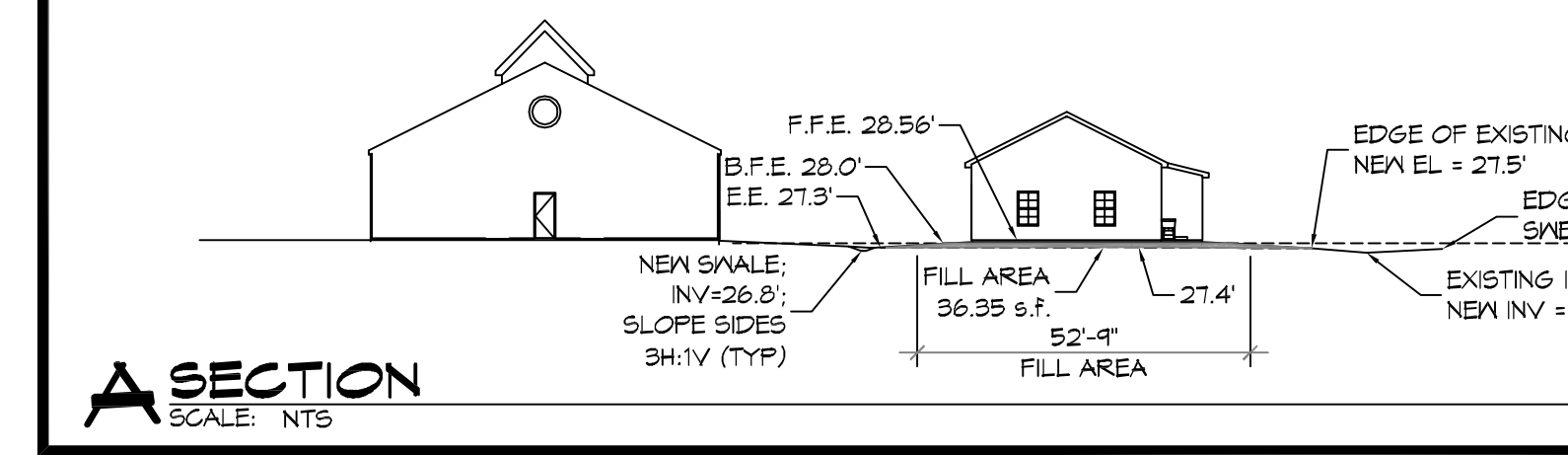
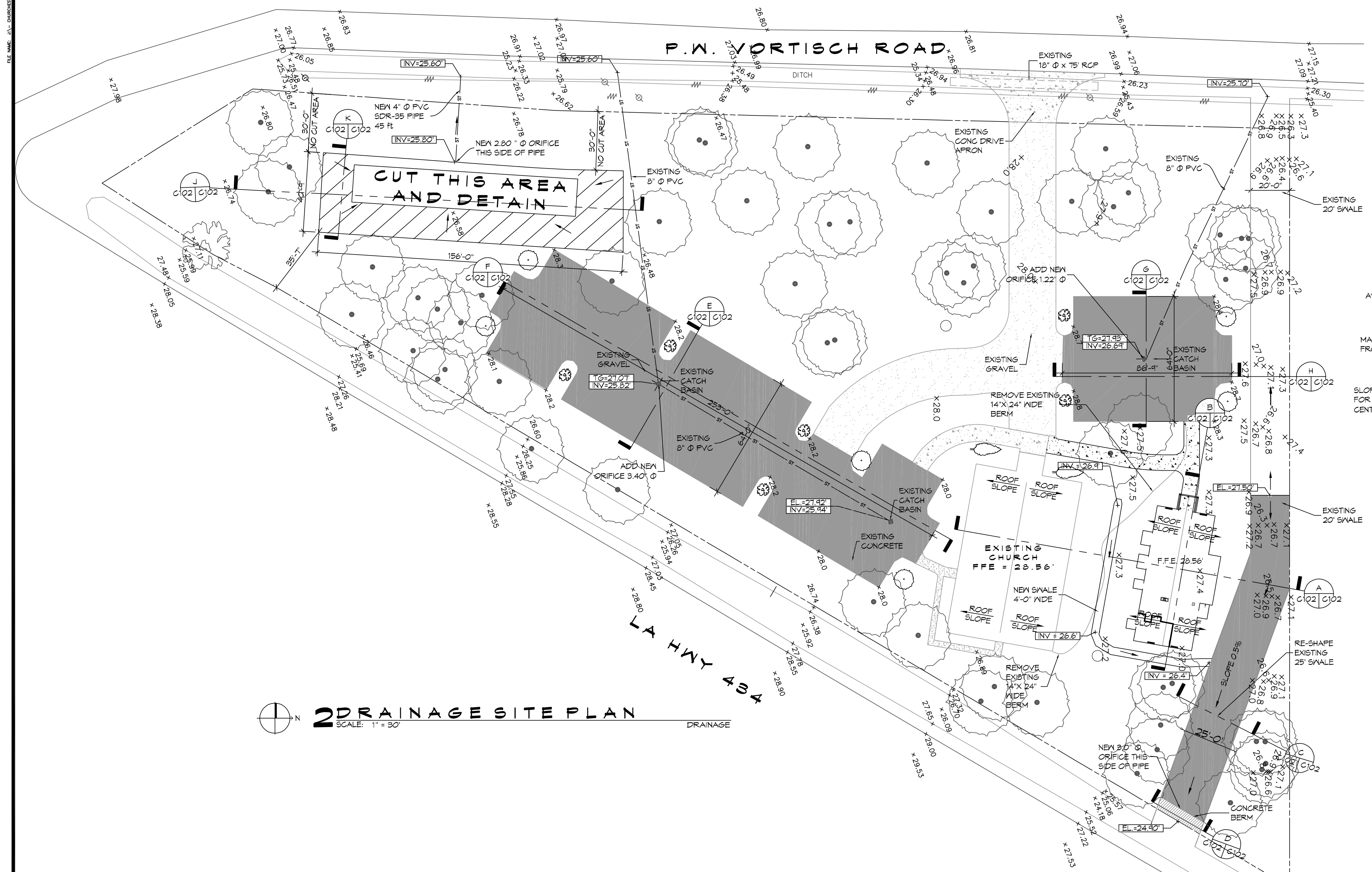
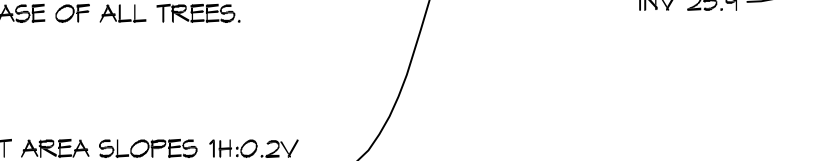
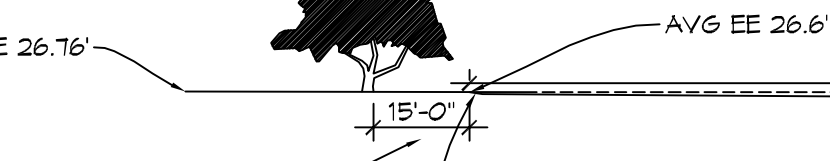
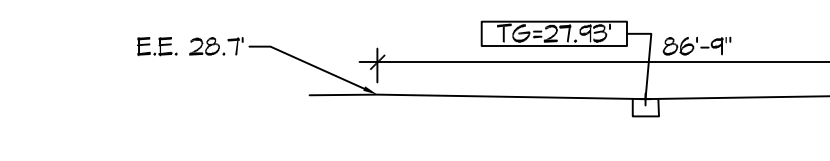
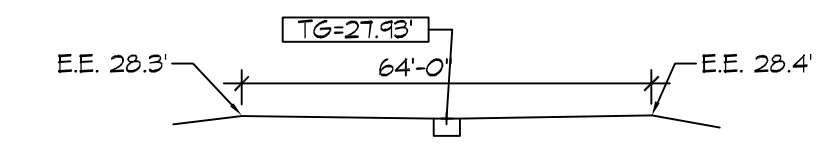
GENERAL SITE DRAINAGE NOTES

1. REMOVE DEBRIS AND CLEAN BOTTOM OF EXISTING SWALL.
2. ALL ELEVATIONS SHOWN ARE M.S.L. AND ARE PLUS OR MINUS.
3. FIELD VERIFY ALL ELEVATIONS AND AND DRAINAGE SYSTEM PLACEMENT PRIOR TO START OF WORK.

SITE DRAINAGE LEGEND



NO NET FILL CALCULATIONS



DAMMON ENGINEERING, INC.
 LOUISIANA & MISSISSIPPI
 Chief Engineer: Brian Mistich, PE
 554 Old Spanish Trail
 Slidell, LA 70688
 www.dammoneengineering.com
 info@dammoneengineering.com
 PH: 905.649.9532

#	DESCRIPTION	DATE

STATE OF LOUISIANA
 BRAN A. MISTICH
 License No. 30187
 PROFESSIONAL ENGINEER

MULTI-PURPOSE BUILDING
 OF A
 LADY OF A
 PURA
 T-I-M
 OF A
 6610 VORTISCH ROAD
 LACOMBE, LOUISIANA 70445
 JOB No: 25719 DATE: 08-17-2020
 DRAWN BY: CKD CHECKED BY: CKD

SHEET TITLE:
 SITE PLAN - DRAINAGE

DRAWING NUMBER:
C102

SHEET No: 4 of 12