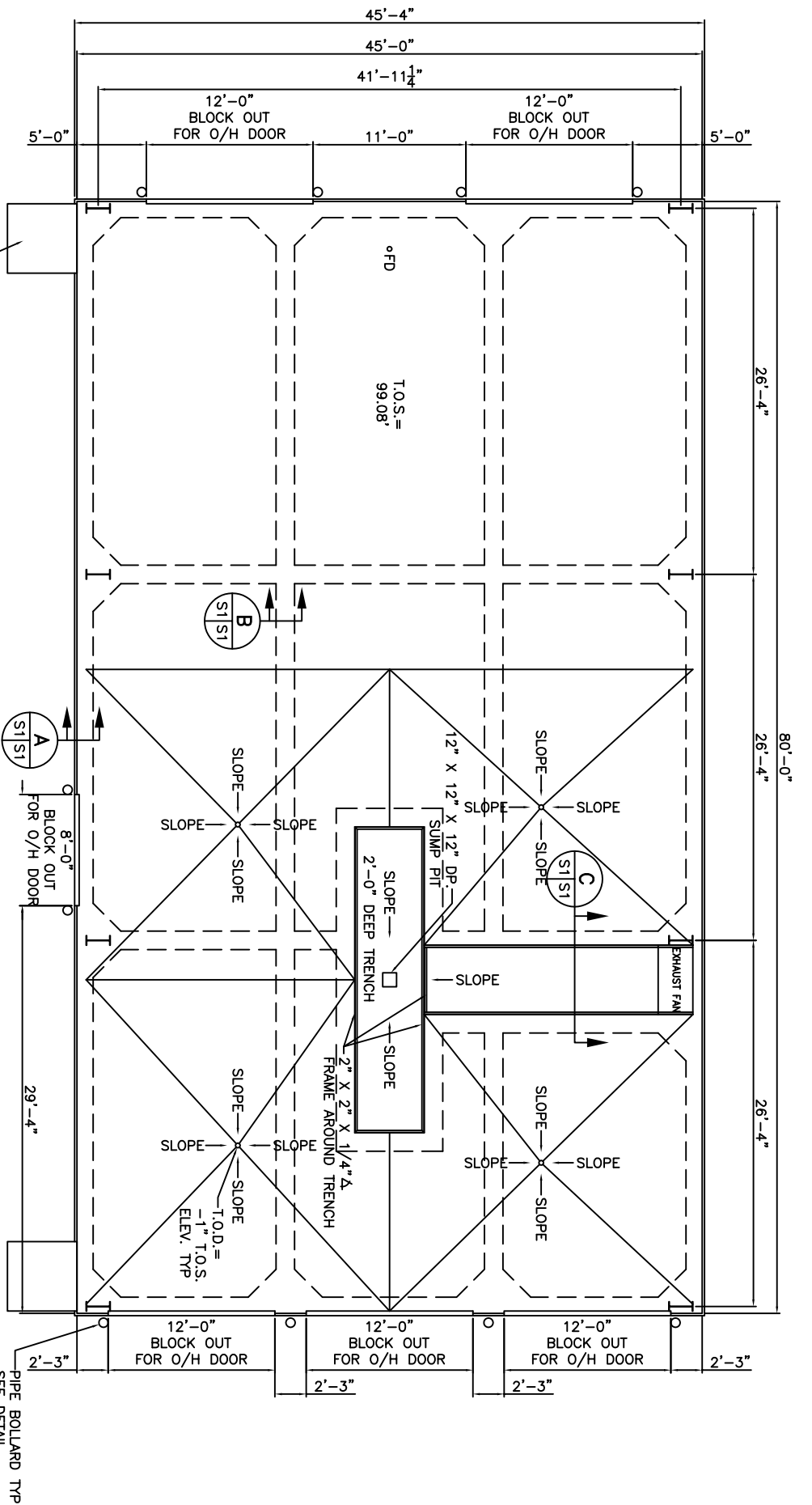
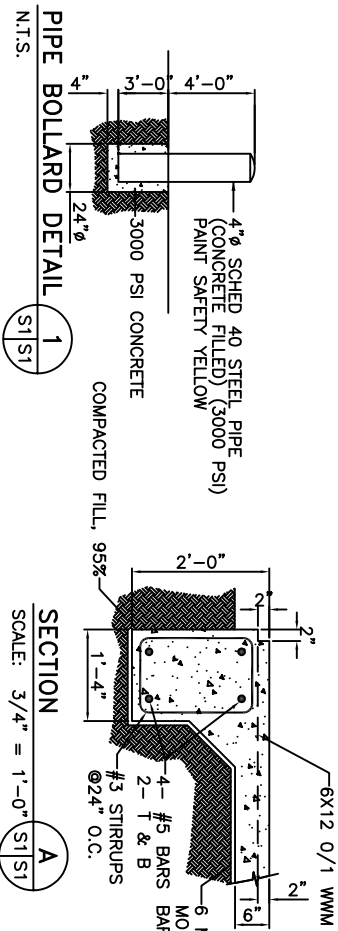


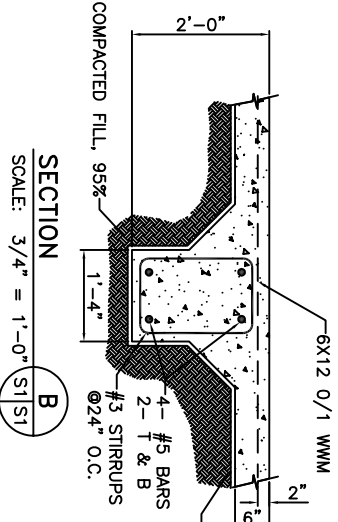
- NOTES:**
1. THE CONCRETE MIX SHALL HAVE A MINIMUM COMPRESSIVE STRENGTH OF 3000 P.S.I. AT 28 DAYS. CONCRETE MIX SHALL BE IN ACCORDANCE WITH ACI-8.
 2. ALL CONVENTIONAL REINFORCING STEEL SHALL MEET ASTM-A615 (GRADE 60), CONCRETE.
 3. 1 LAYER OF POLYETHYLENE VAPOR BARRIER SHALL BE PLACED UNDER ALL CONCRETE.
 4. ALL REINFORCING STEEL AND MESH SHALL BE SECURELY SUPPORTED TO PREVENT BOTH VERTICAL AND HORIZONTAL MOVEMENT DURING CONCRETE PLACEMENTS.
 5. THE CONTRACTOR SHALL VERIFY ALL DROPS, OFFSETS, BRICK LEDGES, DIMENSIONS AND CONFIGURATIONS. HE MUST BE RESPONSIBLE FOR SAME.
 6. GRADE BEAM SIZES MAY VARY BY -10%, +20%.
 7. ALL SUBGRADE FILL SHALL BE SELECT GRANULAR MATERIAL COMPACTED TO 95% STANDARD PROCTOR DENSITY IN A MAXIMUM OF 6" LIFTS.
 8. A MINIMUM OF 4" OF CONCRETE WILL BE MAINTAINED THROUGHOUT THE SLAB.
 9. ALL RUNOFF WATER MUST BE CARRIED AWAY FROM THE SLAB TO PREVENT SATURATION OF THE SUB-BASE.
 10. ALL TREES WITHIN CLOSE PROXIMITY SHALL BE REMOVED TO PREVENT THE ROOTS FROM EXTENDING UNDER THE SLAB.
 11. REMOVE A MINIMUM OF 12" OF EXISTING SOIL AND ALL UNSTABLE SILT PRIOR TO PLACING ANY FILL.
 12. MAXIMUM OF 18" OF FILL MAY BE PLACED ON THE SITE. MAXIMUM DIFFERENTIAL FILL SHALL NOT EXCEED 20%.
 13. EXTERIOR FOOTINGS SHALL HAVE A MINIMUM OF 12" EMBEDMENT BELOW FINISHED GRADE.
 14. TREAT SOIL BELOW SLAB FOR TERMITES.



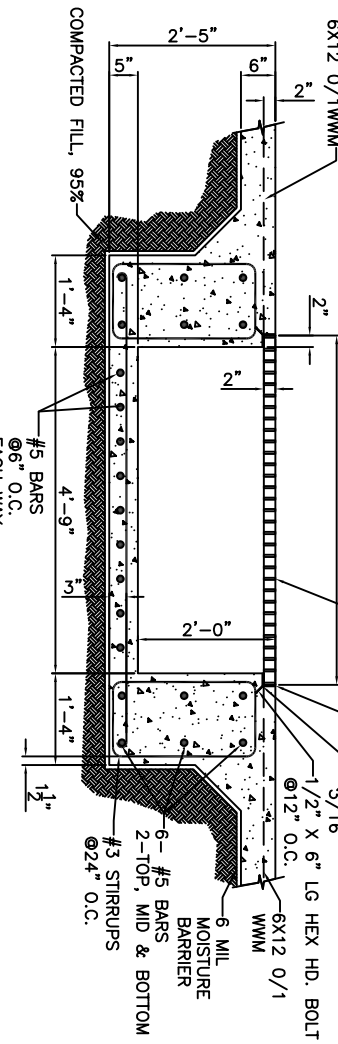
FOUNDATION PLAN
SCALE: 3/16" = 1'-0"



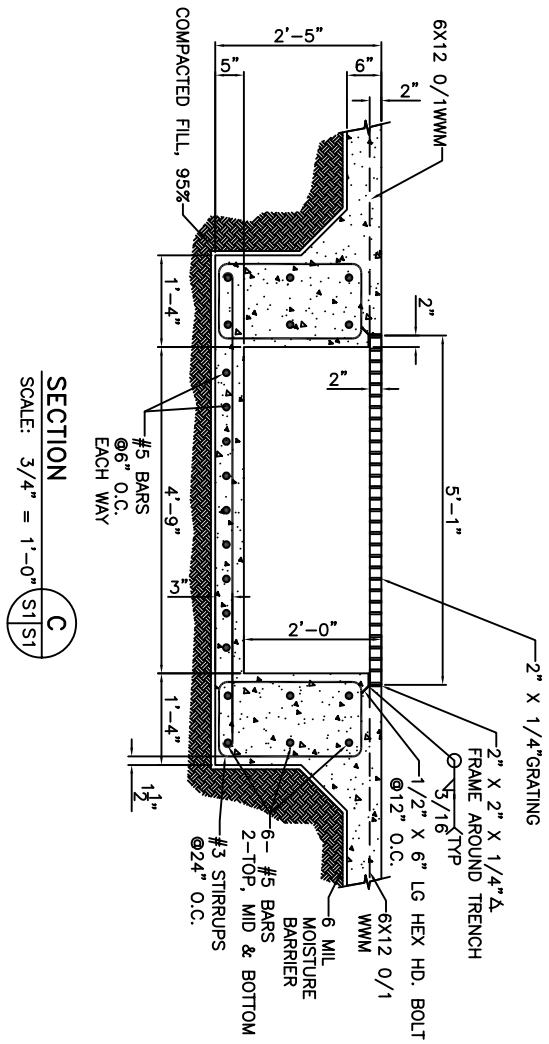
PIPE BOLLARD DETAIL 1
SCALE: 3/4" = 1'-0"



SECTION A
SCALE: 3/4" = 1'-0"



SECTION B
SCALE: 3/4" = 1'-0"



SECTION C
SCALE: 3/4" = 1'-0"