

ROOM FINISH SCHEDULE

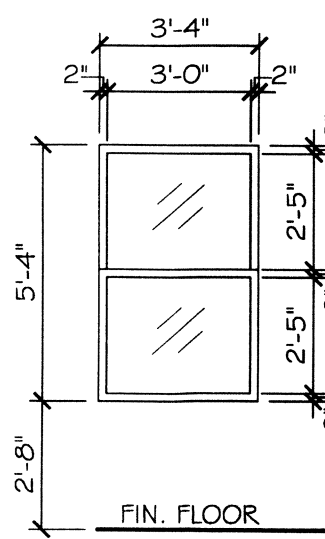
NAME	FLOOR			BASE			WALL			CEILING			REMARKS	
	V.C.T.	CERAMIC TILE	CARPET	CONC. W/SPALER	VINYL BASE	CERAMIC TILE	NONE	GYP. BD. PAINTED	CERAMIC TILE TO 42" HT.	M.R. GYP. BD.	2"x4" 5U/SP. ACQUST.	GYP. BD. PAINTED		NONE
100 FOYER	●				●			●						NOTE: INSTALL MOISTURE RESISTANT GYPSUM BOARD (PAINTED) ON WALLS ABOVE CERAMIC TILE IN RESTROOMS/BATHROOMS WITH CERAMIC TILE TO 42" HEIGHT.
101 MENS RESTROOM		●			●			●	●					
102 WOMENS RESTROOM		●			●			●	●					
103 OFFICE		●			●			●						
104 OFFICE		●			●			●						
105 CORRIDOR	●				●			●						
106 CORRIDOR	●				●			●						
107 OFFICE		●			●			●						
108 OFFICE		●			●			●						
109 ELECTRICAL CLOSET		●			●			●						
110 KITCHEN	●				●			●						
111 SUPPLY CLOSET	●				●			●						
112 MEETING ROOM		●			●			●					GYP. BD. FURR-DOWN AT 9'-0" A.F.F.	

GENERAL NOTES

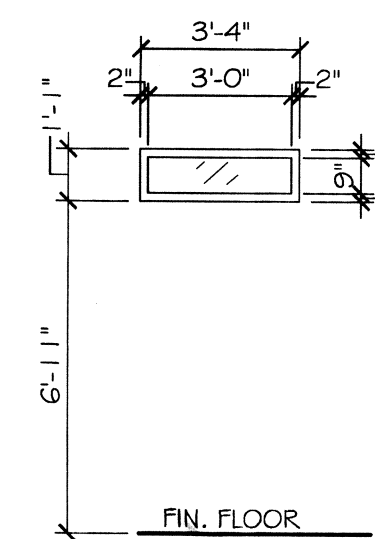
1. INSULATION AND INSULATION ASSEMBLIES SHALL MEET THE REQUIREMENTS OF SECTION 719.
- A. CONCEALED INSULATION SHALL HAVE A FLAME SPREAD OF 0-25 AND SMOKE DEVELOPED INDEX OF 0-450. EXCEPT THAT IN COMBUSTIBLE (WOOD FRAME) CONSTRUCTION.
- B. FACING SHALL COMPLY WITH IBC 2006.
2. PROVIDE 5x5' LANDINGS, LEVEL WITH FINISHED FLOOR, OUTSIDE EXTERIOR DOORS ON WEST SIDE OF BUILDING. THRESHOLDS SHALL BE NOT MORE THAN 1/2" IN HEIGHT AND SHALL BE BEVELED IF MORE THAN 1/4".
3. CONTRACTOR TO VERIFY ALL SITE CONDITIONS, BUILDING LOCATIONS, AND DIMENSIONS PRIOR TO CONSTRUCTION.
4. MATERIALS SHALL BE NEW AND U.L. LISTED.
5. NO WORK SHALL BE CONCEALED UNTIL APPROVED BY LOCAL INSPECTORS.
6. CONSTRUCTION SHALL COMPLY WITH ALL PARISH, STATE, AND LOCAL CODES.
7. CONTRACTOR TO GUARANTEE WORK FOR ONE YEAR.
8. CONTRACTOR SHALL FURNISH WATER AND POWER FROM EXISTING SOURCES.
9. EXTERIOR CAULKING SHALL BE THICKAL CAULK.
10. PAINT GRADE TO SHALL BE SHERWIN WILLIAMS OR EQUIVALENT. ALL WORK TO RECEIVE 3 COATS. COLOR SELECTION BY OWNER.
11. PROVIDE CLEANUP ON A REGULAR BASIS. NO TRASH STORED IN BUILDING.
12. ALL BATT INSULATION SHALL HAVE A CLASS "A" (0-25) FLAME SPREAD IN COMPLIANCE WITH APPLICABLE CODE.
13. USE 6" STUDS, OR 4" STAGGERED STUDS AT ALL PLUMBING WALLS.
14. PROVIDE GALVANIZED METAL PAN WITH DRAIN AT WATER HEATER LOCATION.
15. ALL CORNERS SHALL BE PROPERLY BRACED FOR WIND LOADS. A 48" SHEATHING SHALL BE PROVIDED EVERY 20 FEET OF WALL LENGTH.
16. INTERIOR LOCKS ON DOORS IN MEANS OF EGRESS SHALL NOT REQUIRE THE USE OF A KEY, SPECIAL KNOWLEDGE, OR SPECIAL DEVICE TO OPEN IN THE DIRECTION OF EGRESS. ALL DOORS SHALL HAVE LEVER TYPE HANDLES.
17. INTERIOR WALLS AND CEILINGS SHALL HAVE A FLAME SPREAD OF 0-200 AND A SMOKE DEVELOPMENT RATING OF 0-450.
18. ALL WORK SHALL COMPLY WITH THE LATEST EDITION OF ALL LOCAL, STATE, AND NATIONAL CODES COVERING THE TYPE OF WORK BEING PERFORMED.
19. PROVIDE PORTABLE FIRE EXTINGUISHERS IN ACCORDANCE WITH NFPA 101. SEE APPENDIX "E" OF NFPA 101 FOR DISTRIBUTION OF EXTINGUISHERS.
20. ALL FIRE WALLS SHALL EXTEND TIGHT TO ROOF DECK AND BE SEALED WITH AN APPROVED FIRE CAULK.
21. ALL ELECTRICAL, MECHANICAL, AND PLUMBING MATERIALS PENETRATING FIRE WALLS SHALL BE FIRE CAULKED. (PENETRATIONS THROUGH RATED CONSTRUCTION SHALL BE SEALED WITH A MATERIAL CAPABLE OF PREVENTING THE PASSAGE OF FLAMES AND HOT GASES WHEN TESTED IN ACCORDANCE WITH ASTM-E814.)
22. SERVICE COUNTER SHALL HAVE A HCP ACCESSIBLE WRITING SURFACE, MAX. 36" FROM F.F. (ADAAG MANUAL 1998, PG 135)

WINDOW SCHEDULE

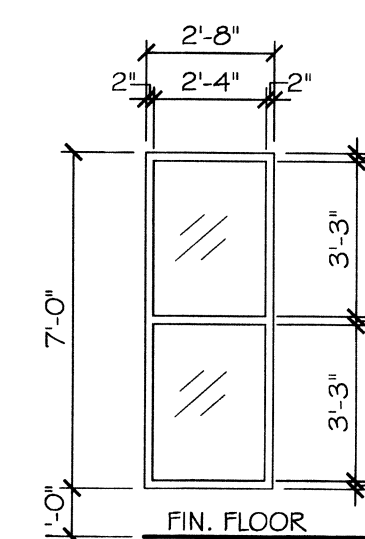
MARK	DESCRIPTION	TYPE		FRAME	GLASS	LITES	ACCESSORIES		REMARKS										
		SINGLE HUNG	FIXED	ALUM. STOREFRONT	ALUMINUM HOLLOW METAL	TINTED LOW E	OBSCURE GLAZING	PLAIN		TEMPERED-SAFETY	NONE	6/6	9/9	ALARM	SCREEN	SHUTTER	NONE		
A	3'-4"x5'-4"	●																	SILL HT. = 2'-8" A.F.F.
B	3'-4"x1'-1"		●																SILL HT. = 6'-11" A.F.F.
C	2'-8"x7'-0"			●															SILL HT. = 1'-0" A.F.F.
D	3'-4"x4'-6"	●																	SILL HT. = 3'-6" A.F.F.



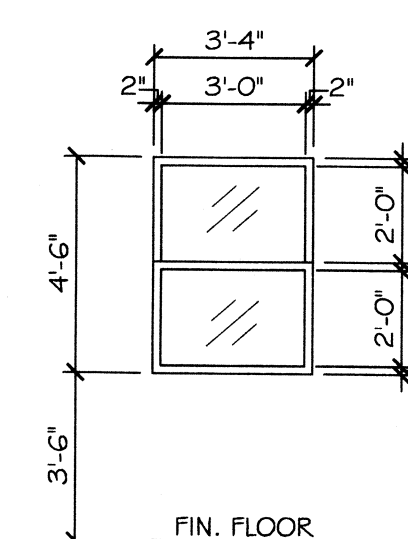
WINDOW A



WINDOW B



WINDOW C



WINDOW D

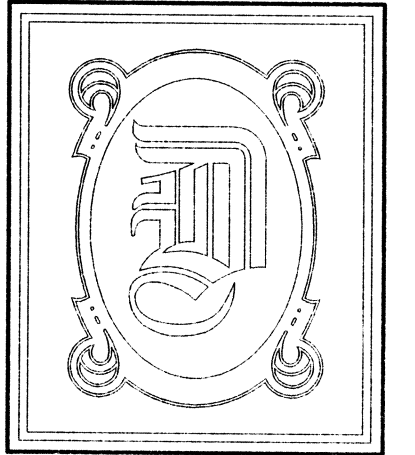
WINDOW TYPES

DOOR & HARDWARE SCHEDULE

MARK	DESCRIPTION	TYPE		FRAME	HINGE	LOCK	ACCESSORIES		REMARKS																	
		ALUM. # GLASS	S. C. WOOD	H. C. WOOD	HOLLOW METAL	ALUMINUM HOLLOW METAL	WOOD	CASFD OPENING		BUTT 1-1/2 PR	FIXED	NONE	KEYED HANDLE	DEADBOLT	PRIVACY	PASSAGE	NONE	THRESHOLD	WEATHERSTRIP	DOOR STOP	CLOSER	ALARM	SILENCER	TRANSOM		
1	3/0x7/0	●																							ALUM. 5.F. W/TRANSOM	
2	3/0x7/0		●																							
3	3/0x7/0		●																							
4	3/0x7/0		●																							
5	3/0x7/0		●																							
6	3/0x7/0		●																							
7	PR 2/6x7/0			●																						
8	3/0x7/0		●																							
9	PR 3/0x7/0			●																						H.M. W/TRANSOM

DOOR & HARDWARE NOTES:

1. ANY GLAZING TO BE LAMINATED SAFETY GLASS.
2. COORDINATE KEYING SCHEDULE WITH OWNER
3. DOOR STOPS TO BE SELECTED BY OWNER
4. WEATHER-STRIP & THRESHOLD FINISH TO COMPLEMENT OTHER HARDWARE.
5. ALL NEW EXTERIOR DOORS RATED FOR 130 MPH.



DAMMON
ENGINEERING, INC.

CHIEF ENGINEER
EMMETT
DAMMON, P.E.

CHIEF ARCHITECT
ROBERT
WILTSE

554 OLD SPANISH TRAIL
SLIDELL, LA. 70458
OFFICE: 985-649-5832
FAX: 985-641-5950

WEBSITE:
WWW.DAMMONENGINEERING.COM

EMAIL:
DAMMONENG@BELLSOUTH.NET

ARCHITECTURE
ENGINEERING
STUDIES
PLANNING
INVESTIGATION
EXPERT WITNESS

PAUL REES
OFFICE BUILDING
2275 8TH. ST.
MANDEVILLE, LA
70471

SCHEDULES
& NOTES

Paul Rees

REV:

SCALE: AS NOTED

JOB#: 2104

DATE: 05-20-11

SHEET 11

A-2

OF 20