

**4.16 WATER CLOSETS.**

- 4.16.1 GENERAL ACCESSIBLE WATER CLOSETS SHALL COMPLY WITH 4.16.
- 4.16.2 CLEAR FLOOR SPACE CLEAR FLOOR SPACE FOR WATER CLOSETS NOT IN STALLS SHALL COMPLY WITH 4.16. CLEAR FLOOR SPACE MAY BE ARRANGED TO ALLOW EITHER A LEFT-HANDED OR RIGHT-HANDED APPROACH.
- 4.16.3 HEIGHT THE HEIGHT OF WATER CLOSETS SHALL BE 17" TO 19" (430mm TO 485mm), MEASURED TO THE TOP OF THE TOILET SEAT. SEATS SHALL NOT BE SPRUNG TO RETURN TO A LIFTED POSITION (SEE FIG. 31).
- 4.16.4 GRAB BARS GRAB BARS FOR WATER CLOSETS NOT LOCATED IN STALLS SHALL COMPLY WITH 4.26 AND FIG. 31. THE GRAB BAR BEHIND THE WATER CLOSET SHALL BE 36" (915mm) MINIMUM.
- 4.16.5 FLUSH CONTROLS FLUSH CONTROLS SHALL BE HAND OPERATED OR AUTOMATIC AND SHALL COMPLY WITH 4.27.4. CONTROLS FOR FLUSH VALVES SHALL BE MOUNTED ON THE WIDE SIDE OF TOILET AREAS NO MORE THAN 44" (1120mm) ABOVE THE FLOOR.
- 4.16.6 DISPENSERS TOILET PAPER DISPENSERS SHALL BE INSTALLED WITHIN REACH AS SHOWN IN FIG. 31. DISPENSERS THAT CONTROL, DELIVER, OR THAT DO NOT PERMIT CONTINUOUS PAPER FLOW, SHALL NOT BE USED.

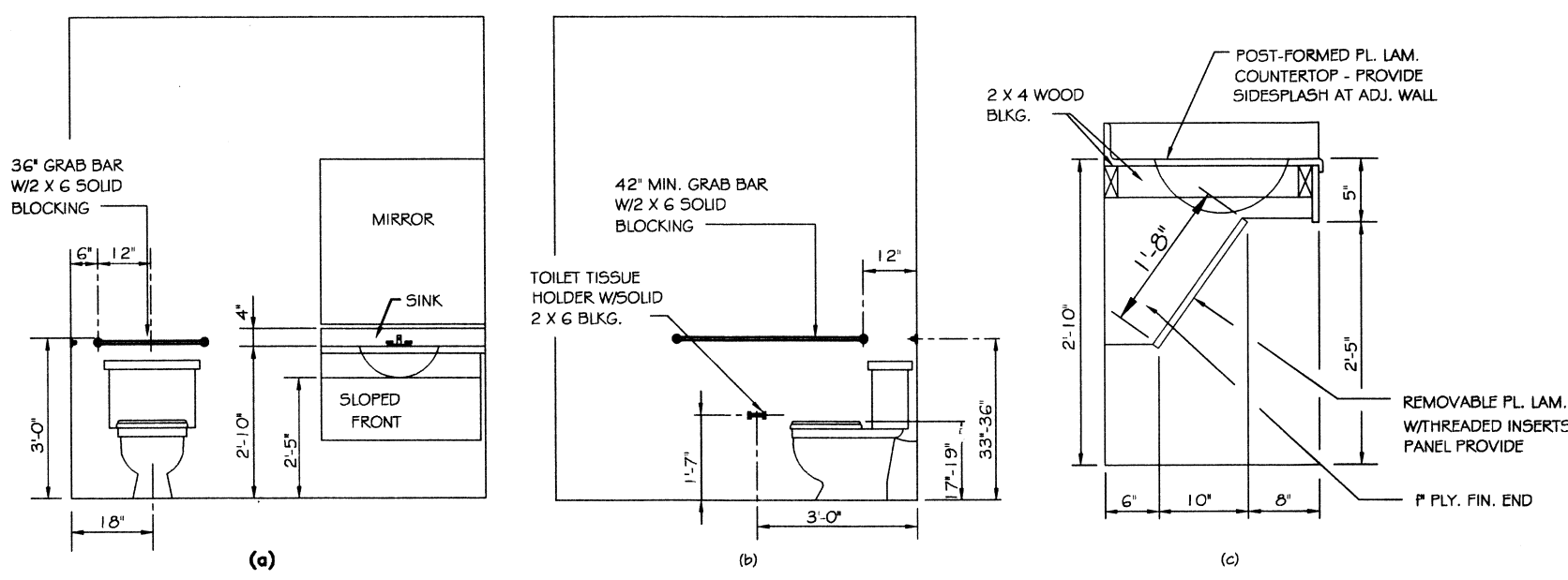


FIG. 31  
LAVATORY & WATER CLOSET CLEARANCES  
N.T.S.

**4.17 TOILET STALLS.**

- 4.17.1 LOCATION ACCESSIBLE TOILET STALLS SHALL BE ON AN ACCESSIBLE ROUTE AND SHALL MEET THE REQUIREMENTS OF 4.17.
- 4.17.2 WATER CLOSETS WATER CLOSETS IN ACCESSIBLE STALLS SHALL COMPLY WITH 4.16.
- 4.17.3 SIZE AND ARRANGEMENT THE SIZE AND ARRANGEMENT OF A STANDARD TOILET STALL SHALL COMPLY WITH 4.17. STANDARD TOILET STALLS WITH A MINIMUM DEPTH OF 56" (1420mm) HAVE WALL-MOUNTED WATER CLOSETS. IF THE DEPTH OF A STANDARD TOILET STALL IS INCREASED AT LEAST 3" (75mm), THEN A FLOOR-MOUNTED WATER CLOSET MAY BE USED. ARRANGEMENTS SHOWN FOR STANDARD TOILET STALLS MAY BE REVISED TO ALLOW EITHER A LEFT OR RIGHT-HAND APPROACH. ADDITIONAL STALLS SHALL BE PROVIDED IN COMPLIANCE WITH 4.22.4.
- 4.17.4 TOE CLEARANCES IN STANDARD STALLS, THE FRONT PARTITION AND AT LEAST ONE SIDE PARTITION SHALL PROVIDE A TOE CLEARANCE OF AT LEAST 9" (230mm) ABOVE THE FLOOR. IF THE DEPTH OF THE STALL IS GREATER THAN 60" (1525mm), THEN THE TOE CLEARANCE IS NOT REQUIRED.
- 4.17.5 DOORS TOILET STALL DOORS, INCLUDING DOOR HARDWARE, SHALL COMPLY WITH 4.13. IF TOILET STALL APPROACH IS FROM THE LATCH SIDE OF THE STALL DOOR, CLEARANCE BETWEEN THE DOOR SIDE OF THE STALL AND ANY OBSTRUCTION MAY BE REDUCED TO A MINIMUM OF 42" (1065mm).
- 4.17.6 GRAB BARS GRAB BARS MAY BE MOUNTED WITH ANY DESIRED METHOD AS LONG AS THEY HAVE A GRIPPING SURFACE AT THE LOCATIONS SHOWN IN FIG. 31 AND DO NOT OBSTRUCT THE REQUIRED CLEAR FLOOR AREA. GRAB BARS SHALL COMPLY WITH 4.26.

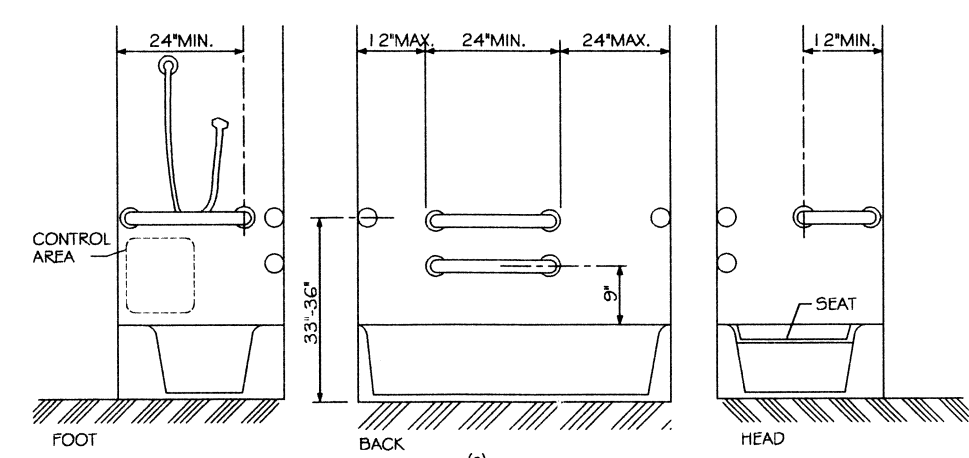


FIG. 32  
TOILET STALL CLEARANCES  
N.T.S.

**4.18 URINALS.**

- 4.18.1 GENERAL ACCESSIBLE URINALS SHALL COMPLY WITH 4.18.
- 4.18.2 HEIGHT URINALS SHALL BE STALL-TYPE OR WALL-HUNG WITH AN ELONGATED RIM AT A MAXIMUM OF 17" (430mm) ABOVE THE FINISH FLOOR.
- 4.18.3 CLEAR FLOOR SPACE A CLEAR FLOOR SPACE 30" BY 46" (760mm BY 1200mm) SHALL BE PROVIDED IN FRONT OF URINALS TO ALLOW FORWARD APPROACH. THIS CLEAR SPACE SHALL ADD ON OR OVERLAP AN ACCESSIBLE ROUTE AND SHALL COMPLY WITH 4.2.4. URINAL SHIELDS THAT DO NOT EXTEND BEYOND THE FRONT EDGE OF THE URINAL RIM MAY BE PROVIDED WITH 29" (735mm) CLEARANCE BETWEEN THEM.
- 4.18.4 FLUSH CONTROLS FLUSH CONTROLS SHALL BE HAND OPERATED OR AUTOMATIC, AND SHALL COMPLY WITH 4.27.4, AND SHALL BE MOUNTED NO MORE THAN 44" (1120mm) ABOVE THE FINISH FLOOR.

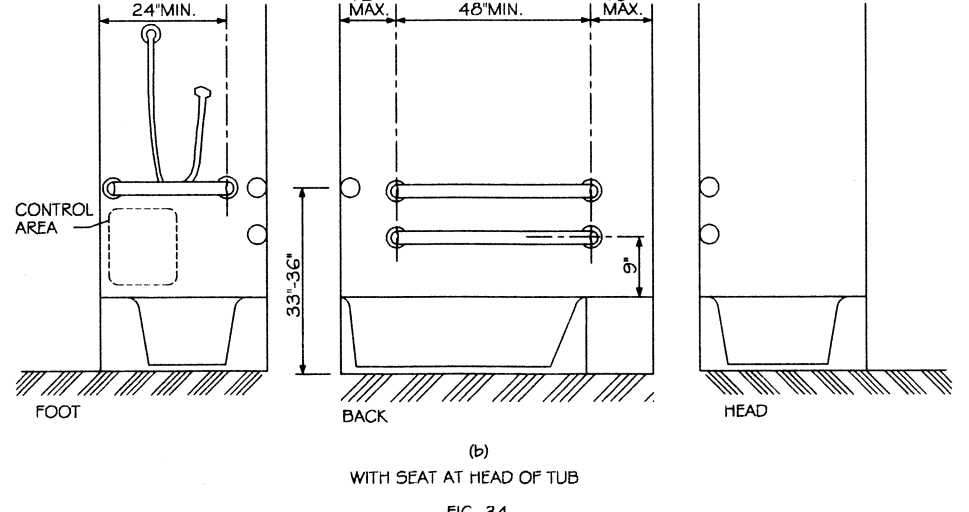


FIG. 34  
GRAB BARS AT BATHTUBS  
N.T.S.

**4.19 LAVATORIES & MIRRORS.**

- 4.19.1 GENERAL THE REQUIREMENTS OF 4.19 SHALL APPLY TO LAVATORY FIXTURES, VANITIES, AND BUILT-IN LAVATORIES.
- 4.19.2 HEIGHT & CLEARANCES LAVATORIES SHALL BE MOUNTED WITH THE RIM OR COUNTER SURFACE NO HIGHER THAN 34" (865mm) ABOVE THE FINISH FLOOR. PROVIDE A CLEARANCE OF AT LEAST 29" (735mm) ABOVE THE FINISH FLOOR TO THE BOTTOM OF THE APRON (SEE FIG. 31).
- 4.19.3 CLEAR FLOOR SPACE A CLEAR FLOOR SPACE 30" BY 49" (760mm BY 1200mm) COMPLYING WITH 4.2.4 SHALL BE PROVIDED IN FRONT OF A LAVATORY TO ALLOW FORWARD APPROACH. SUCH CLEAR FLOOR SPACE SHALL ADD ON OR OVERLAP AN ACCESSIBLE ROUTE AND SHALL OBTAIN A MINIMUM OF 19" (485mm) UNDER THE LAVATORY.
- 4.19.4 EXPOSED PIPES & SURFACES HOT WATER AND DRAIN PIPES UNDER LAVATORIES SHALL BE INSULATED OR OTHERWISE COVERED TO PROTECT AGAINST CONTACT. THERE SHALL BE NO SHARP OR ABRASIVE SURFACES UNDER LAVATORIES.
- 4.19.5 FAUCETS FAUCETS SHALL COMPLY WITH 4.27.4. LEVER-OPERATED, PUSH-TYPE, AND ELECTRONICALLY CONTROLLED MECHANISMS ARE EXAMPLES OF ACCEPTABLE DESIGNS. IF SELF-CLOSING VALVES ARE USED, THE FAUCET SHALL REMAIN OPEN FOR AT LEAST 10 SECONDS.
- 4.19.6 MIRRORS MIRRORS SHALL BE MOUNTED WITH THE BOTTOM EDGE OF THE REFLECTING SURFACE NO HIGHER THAN 40" (1015mm) ABOVE THE FINISH FLOOR (SEE FIG. 31).

**4.22 TOILET ROOMS.**

- 4.22.1 MINIMUM NUMBER TOILET FACILITIES REQUIRED TO BE ACCESSIBLE BY 4.1 SHALL COMPLY WITH 4.22. ACCESSIBLE TOILET ROOMS SHALL BE ON AN ACCESSIBLE ROUTE.
- 4.22.2 DOORS ALL DOORS TO ACCESSIBLE TOILET ROOMS SHALL COMPLY WITH 4.13. DOORS SHALL NOT SWING INTO THE CLEAR FLOOR SPACE REQUIRED FOR ANY FIXTURE.
- 4.22.3 CLEAR FLOOR SPACE THE ACCESSIBLE FIXTURES AND CONTROLS REQUIRED IN 4.22.4, 4.22.5, 4.22.6, AND 4.22.7 SHALL BE ON AN ACCESSIBLE ROUTE. AN UNOBSTRUCTED TURNING SPACE COMPLYING WITH 4.2.3 SHALL BE PROVIDED WITHIN AN ACCESSIBLE TOILET ROOM. THE CLEAR FLOOR SPACE AT FIXTURES AND CONTROLS, THE ACCESSIBLE ROUTE, AND THE TURNING SPACE MAY OVERLAP.
- EXCEPTION: IN TOILET ROOMS WITH ONLY ONE WATER CLOSET AND ONE LAVATORY, A CLEAR FLOOR SPACE OF 30" BY 60" (760mm BY 1525mm) MAY BE USED IN LIEU OF THE UNOBSTRUCTED TURNING SPACE.
- 4.22.4 WATER CLOSETS IF TOILET STALLS ARE PROVIDED, THEN AT LEAST ONE SHALL COMPLY WITH 4.17. ITS WATER CLOSET SHALL COMPLY WITH 4.16. IF WATER CLOSETS ARE NOT IN STALLS, THEN AT LEAST ONE SHALL COMPLY WITH 4.16.
- 4.22.5 URINALS IF URINALS ARE PROVIDED, THEN AT LEAST ONE SHALL COMPLY WITH 4.18.
- 4.22.6 LAVATORIES AND MIRRORS IF LAVATORIES AND MIRRORS ARE PROVIDED, THEN AT LEAST ONE OF EACH SHALL COMPLY WITH 4.19.
- 4.22.7 CONTROLS AND DISPENSERS IF CONTROLS, DISPENSERS, RECEPTACLES, OR OTHER EQUIPMENT IS PROVIDED, THEN AT LEAST ONE OF EACH SHALL BE ON AN ACCESSIBLE ROUTE AND SHALL COMPLY WITH 4.27.

**4.23 BATHROOM, BATHING FACILITIES, AND SHOWER ROOMS.**

- 4.23.1 MINIMUM NUMBER BATHROOMS, BATHING FACILITIES, OR SHOWER ROOMS REQUIRED TO BE ACCESSIBLE BY 4.1 SHALL COMPLY WITH 4.23 AND SHALL BE ON AN ACCESSIBLE ROUTE. FOR ADAPTABLE BATHROOMS IN ACCESSIBLE DWELLING UNITS, SEE 4.34.5.
- 4.23.2 DOORS DOORS TO ACCESSIBLE BATHROOMS SHALL COMPLY WITH 4.13. DOORS SHALL NOT SWING INTO THE FLOOR SPACE REQUIRED FOR ANY FIXTURE.
- 4.23.3 CLEAR FLOOR SPACE THE ACCESSIBLE FIXTURES AND CONTROLS REQUIRED IN 4.23.4, 4.23.5, 4.23.6, 4.23.7, 4.23.8, AND 4.23.9 SHALL BE ON AN ACCESSIBLE ROUTE. AN UNOBSTRUCTED TURNING SPACE COMPLYING WITH 4.2.3 SHALL BE PROVIDED WITHIN AN ACCESSIBLE BATHROOM. THE CLEAR FLOOR SPACES AT FIXTURES AND CONTROLS, THE ACCESSIBLE ROUTE AND THE TURNING SPACE MAY OVERLAP.
- EXCEPTION: IN BATHROOMS WITH ONLY ONE WATER CLOSET, ONE LAVATORY, AND ONE BATHTUB OR SHOWER A CLEAR FLOOR SPACE OF 30" BY 60" (760mm BY 1525mm) MAY BE USED IN LIEU OF THE UNOBSTRUCTED TURNING SPACE.
- 4.23.4 WATER CLOSETS IF TOILET STALLS ARE PROVIDED, THEN AT LEAST ONE SHALL COMPLY WITH 4.17. ITS WATER CLOSET SHALL COMPLY WITH 4.16. IF WATER CLOSETS ARE NOT IN STALLS, THEN AT LEAST ONE SHALL COMPLY WITH 4.16.
- 4.23.5 URINALS IF URINALS ARE PROVIDED, THEN AT LEAST ONE SHALL COMPLY WITH 4.18.
- 4.23.6 LAVATORIES AND MIRRORS IF LAVATORIES AND MIRRORS ARE PROVIDED, THEN AT LEAST ONE OF EACH SHALL COMPLY WITH 4.19.
- 4.23.7 CONTROLS AND DISPENSERS IF CONTROLS, DISPENSERS, RECEPTACLES, OR OTHER EQUIPMENT IS PROVIDED, THEN AT LEAST ONE OF EACH SHALL BE ON AN ACCESSIBLE ROUTE AND SHALL COMPLY WITH 4.27.
- 4.23.8 BATHING AND SHOWER FACILITIES IF TUBS, OR SHOWERS ARE PROVIDED, THEN AT LEAST ONE ACCESSIBLE TUB THAT COMPLIES WITH 4.20 OR AT LEAST ONE ACCESSIBLE SHOWER THAT COMPLIES WITH 4.21 SHALL BE PROVIDED.
- 4.23.9 MEDICINE CABINETS IF MEDICINE CABINETS ARE PROVIDED, AT LEAST ONE SHALL BE LOCATED WITH A USABLE SHELF NO HIGHER THAN 44" (1120mm) ABOVE THE FLOOR SPACE. THE FLOOR SPACE SHALL COMPLY WITH 4.2.4.
- 4.24 SINKS SINKS REQUIRED TO BE ACCESSIBLE BY 4.1 SHALL COMPLY WITH 4.24.
- 4.24.1 GENERAL SINKS IN KITCHENS OF ACCESSIBLE DWELLING UNITS SHALL COMPLY WITH 4.34.5.5.
- 4.24.2 HEIGHT SINKS SHALL BE MOUNTED WITH THE COUNTER OR RIM NO HIGHER THAN 34" (865mm) FROM THE FINISHED FLOOR (SEE FIG. 31).
- 4.24.3 KNEE CLEARANCE KNEE CLEARANCE THAT IS AT LEAST 27" (685mm) HIGH, 30" (760mm) WIDE, AND 19" (485mm) DEEP SHALL BE PROVIDED UNDERNEATH SINKS.
- 4.24.4 DEPTH EACH SINK SHALL BE A MAXIMUM OF 6-1/2" (165mm) DEEP.

1220mm) COMPLYING WITH 4.2.4 SHALL BE PROVIDED IN FRONT OF A SINK TO ALLOW FORWARD APPROACH. THE CLEAR FLOOR SPACE SHALL BE ON AN ACCESSIBLE ROUTE AND SHALL EXTEND A MAXIMUM OF 19" (485mm) UNDERNEATH THE SINK.

4.23.6 EXPOSED PIPES AND SURFACES HOT WATER AND DRAIN PIPES EXPOSED UNDER SINKS SHALL BE INSULATED OR OTHERWISE COVERED. THERE SHALL BE NO SHARP OR ABRASIVE SURFACES UNDER SINKS.

4.23.7 FAUCETS FAUCETS SHALL COMPLY WITH 4.27.4. LEVER-OPERATED, PUSH-TYPE, TOUCH-TYPE, OR ELECTRONICALLY CONTROLLED MECHANISMS ARE ACCEPTABLE DESIGNS.

**4.25 STORAGE.**

- 4.25.1 GENERAL FIXED STORAGE FACILITIES SUCH AS CABINETS, SHELVES, CLOSETS, AND DRAWERS REQUIRED TO BE ACCESSIBLE BY 4.1 SHALL COMPLY WITH 4.25.
- 4.25.2 CLEAR FLOOR SPACE A CLEAR FLOOR SPACE AT LEAST 30" BY 49" (760mm BY 1200mm) COMPLYING WITH 4.2.4 THAT ALLOWS EITHER A FORWARD OR PARALLEL APPROACH BY A PERSON USING A WHEELCHAIR SHALL BE PROVIDED AT ACCESSIBLE STORAGE FACILITIES.
- 4.25.3 HEIGHT ACCESSIBLE STORAGE SPACES SHALL BE WITHIN AT LEAST ONE OF THE REACH RANGES SPECIFIED IN 4.2.3 AND 4.2.6. CLOTHES RODS SHALL BE A MAXIMUM OF 54" (1370mm) FROM THE FLOOR.
- 4.25.4 HARDWARE HARDWARE FOR ACCESSIBLE STORAGE FACILITIES SHALL COMPLY WITH 4.27.4 TOUCH LATCHES AND U-SHAPED PULLS ARE ACCEPTABLE.

**4.26 HANDRAILS, GRAB BARS, AND TUB AND SHOWER SEATS.**

- 4.26.1 GENERAL ALL HANDRAILS, GRAB BARS, AND TUB AND SHOWER SEATS REQUIRED TO BE ACCESSIBLE BY 4.1, 4.6, OR 4.9 SHALL COMPLY WITH 4.26.
- 4.26.2 SIZE AND SPACING OF GRAB BARS AND HANDRAILS THE DIAMETER OR WIDTH OF THE GRIPPING SURFACES OF A HORIZONTAL OR GRAB BAR SHALL BE 1 1/4" TO 1 1/2" (32mm TO 38mm) OR THE SHAPE SHALL PROVIDE AN EQUIVALENT GRIPPING SURFACE. IF HANDRAILS OR GRAB BARS ARE MOUNTED ADJACENT TO A WALL, THE SPACE BETWEEN THE WALL AND THE GRAB BAR SHALL BE 1 1/2" (38mm). HANDRAILS MAY BE LOCATED IN A RECESS IF THE RECESS IS A MAXIMUM OF 9" (229mm) DEEP AND EXTENDS AT LEAST 18" (455mm) ABOVE THE TOP OF THE RAIL.
- 4.26.3 STRUCTURAL STRENGTH THE STRUCTURAL STRENGTH OF GRAB BARS, TUB AND SHOWER SEATS, FASTENERS, AND MOUNTING DEVICES SHALL MEET THE FOLLOWING SPECIFICATIONS:
  - (1) BENDING STRESS IN A GRAB BAR OR SEAT BY THE APPLICATION OF 250LB (111.2kg) SHALL BE LESS THAN THE ALLOWABLE STRESS FOR THE MATERIAL OF THE GRAB BAR OR SEAT.
  - (2) SHEAR STRESS INDUCED IN A GRAB BAR OR SEAT BY THE APPLICATION OF 250LB (111.2kg) SHALL BE LESS THAN THE ALLOWABLE SHEAR STRESS FOR THE MATERIAL OF THE GRAB BAR OR SEAT. IF THE CONNECTION BETWEEN THE GRAB BAR OR SEAT AND ITS MOUNTING BRACKET OR OTHER SUPPORT IS CONSIDERED TO BE FULLY RESTRAINED, THEN DIRECT AND TORSIONAL SHEAR STRESSES SHALL BE TOTALLED FOR THE COMBINED SHEAR STRESS WHICH SHALL NOT EXCEED THE ALLOWABLE SHEAR STRESS.
  - (3) SHEAR STRESS INDUCED IN A FASTENER OR MOUNTING DEVICE FROM THE APPLICATION OF 250LB (111.2kg) SHALL BE NO LESS THAN THE ALLOWABLE LATERAL LOAD OF EITHER THE FASTENER OR MOUNTING DEVICE OR THE SUPPORTING STRUCTURE WHICHEVER IS THE SMALLER ALLOWABLE LOAD.
  - (4) TENSILE FORCE INDUCED IN A FASTENER BY A DIRECT TENSION FORCE OF 250LB (111.2kg) PLUS THE MINIMUM MOMENT FROM THE APPLICATION OF 250LB (111.2kg) SHALL BE LESS THAN THE ALLOWABLE WITHDRAWAL AND THE SUPPORTING STRUCTURE.
  - (5) GRAB BARS SHALL NOT ROTATE WITHIN THEIR FITTINGS.
- 4.26.4 CLIMBING HAZARDS A HANDRAIL OR GRAB BAR AND ANY WALL OR OTHER SURFACE ADJACENT TO IT SHALL BE FREE OF ANY SHARP OR ABRASIVE ELEMENTS. EDGES SHALL HAVE A MINIMUM RADIUS OF 1/8" (3.2mm).

**4.27 CONTROLS AND OPERATING MECHANISMS.**

- 4.27.1 GENERAL CONTROLS AND OPERATING MECHANISMS REQUIRED TO BE ACCESSIBLE BY 4.1 SHALL COMPLY WITH 4.27.
- 4.27.2 CLEAR FLOOR SPACE CLEAR FLOOR SPACE COMPLYING WITH 4.2.4 THAT ALLOWS A FORWARD OR A PARALLEL APPROACH TO A PERSON USING A WHEELCHAIR SHALL BE PROVIDED AT CONTROLS, DISPENSERS, RECEPTACLES, AND OTHER OPERABLE EQUIPMENT.
- 4.27.3 HEIGHT THE HIGHEST OPERABLE PART OF ALL CONTROLS, DISPENSERS, RECEPTACLES, AND OTHER OPERABLE EQUIPMENT SHALL BE PLACED WITHIN AT LEAST ONE OF THE REACH RANGES SPECIFIED IN 4.2.3 AND 4.2.6. WHEN THE HIGHEST OPERABLE PART IS LOCATED IN A RECESS, IT SHALL BE NO LESS THAN 15" (380mm) ABOVE THE FINISH FLOOR. RECEPTACLES ON WALLS SHALL BE MOUNTED NO LESS THAN 15" (380mm) ABOVE THE FINISH FLOOR.
- 4.27.4 OPERATION CONTROLS AND OPERATING MECHANISMS SHALL BE OPERABLE WITH ONE HAND AND SHALL NOT REQUIRE TIGHT GRASPING, PINCHING, OR TWISTING OF THE WRIST. THE FORCE REQUIRED TO ACTIVATE CONTROLS SHALL BE NO GREATER THAN 5 LBF (22.2N).

**4.28 ALARMS.**

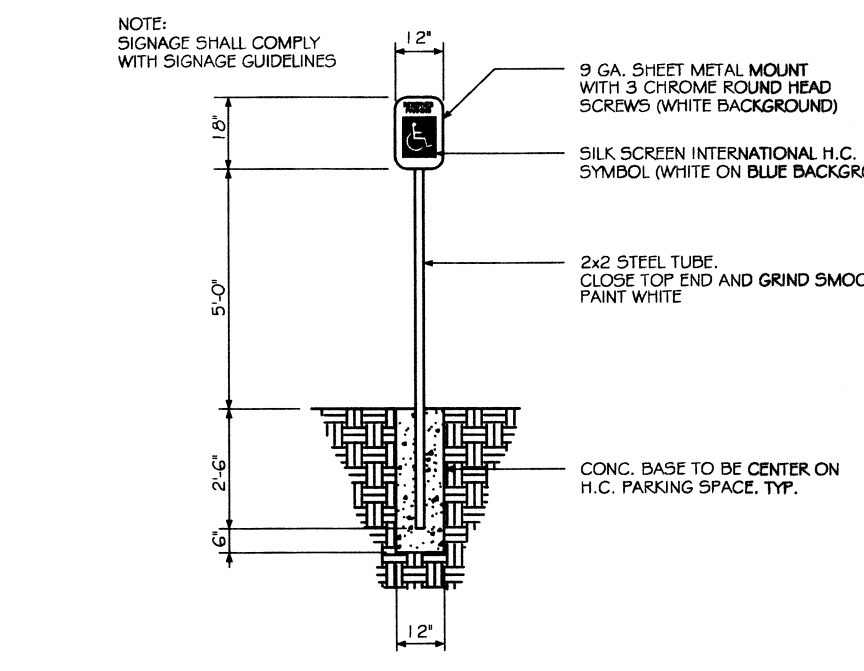
- 4.28.1 GENERAL ALARM SYSTEMS REQUIRED TO BE ACCESSIBLE BY 4.1 SHALL COMPLY WITH 4.28.
- 4.28.2 AUDIBLE ALARMS IF PROVIDED, AUDIBLE EMERGENCY ALARMS SHALL PRODUCE A SOUND THAT EXCEEDS THE PREVAILING EQUIVALENT SOUND LEVEL IN THE ROOM OR SPACE BY AT LEAST 15 DECIBELS OR EXCEEDS AN MAXIMUM SOUND LEVEL OF 90 DECIBELS BY AT LEAST 5 DECIBELS, WHICHEVER IS LOUDER. SOUND LEVELS FOR ALARMS SIGNALS SHALL NOT EXCEED 120 DECIBELS.
- 4.28.3 VISUAL ALARMS IF PROVIDED, ELECTRICALLY POWERED INTERNALLY ILLUMINATED EMERGENCY EXIT SIGNS SHALL FLASH AS A VISUAL EMERGENCY ALARM IN CONJUNCTION WITH AUDIBLE EMERGENCY ALARMS. FLASHING LIGHTS OF VISUAL ALARMS SHALL BE AT LEAST 2" (51mm) IN SIZE. IF SUCH ALARMS USE ELECTRICITY FROM A POWER SOURCE OTHER THAN THEY SHALL BE NOTIFIED ON THE SAME SYSTEM AS THE AUDIBLE EMERGENCY ALARMS.
- EXCEPTIONS:
  - (1) VISUAL ALARM DEVICES THAT ARE MOUNTED ADJACENT TO EMERGENCY EXIT SIGNS MAY BE USED IN LIEU OF FLASHING EXIT SIGNS.
  - (2) SPECIALIZED SYSTEMS UTILIZING ADVANCED TECHNOLOGY MAY BE SUBSTITUTED FOR THE VISUAL SYSTEMS SPECIFIED ABOVE IF EQUIVALENT PROTECTION IS AFFORDED HANDICAPPED USERS OF THE BUILDING OR FACILITY.
- 4.28.4 AUXILIARY ALARMS ACCESSIBLE SLEEPING ACCOMMODATIONS SHALL HAVE A VISUAL ALARM CONNECTED TO THE BUILDING EMERGENCY ALARM SYSTEM OR SHALL HAVE A 120-VOLT ELECTRICAL RECEPTACLE INTO WHICH SUCH AN ALARM COULD BE CONNECTED. INSTRUCTIONS FOR USE OF THE AUXILIARY ALARM OR CONNECTION SHALL BE PROVIDED.

**4.29 TACTILE WARNINGS.**

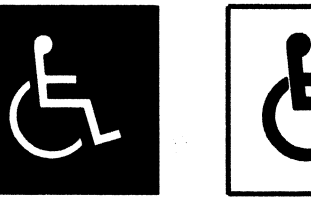
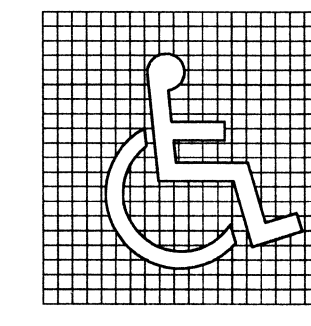
- 4.29.1 GENERAL TACTILE WARNINGS REQUIRED TO BE ACCESSIBLE BY 4.1 SHALL COMPLY WITH 4.29.
- 4.29.2 TACTILE WARNINGS ON WALKING SURFACES (RESERVED)
- 4.29.3 TACTILE WARNINGS ON DOORS TO HAZARDOUS AREAS (RESERVED)
- 4.29.4 TACTILE WARNINGS AT STAIRS (RESERVED)
- 4.29.5 TACTILE WARNINGS AT HAZARDOUS VEHICULAR AREAS (RESERVED)
- 4.29.6 TACTILE WARNINGS AT REFLECTING POOLS (RESERVED)
- 4.29.7 STANDARDIZATION TEXTURED SURFACES FOR TACTILE DOOR WARNINGS SHALL BE STANDARD WITHIN A BUILDING, FACILITY, SITE, OR COMPLEX OF BUILDINGS.

**4.30 SIGNAGE.**

- 4.30.1 GENERAL SIGNAGE REQUIRED TO BE ACCESSIBLE BY 4.1 SHALL COMPLY WITH 4.30.
- 4.30.2 CHARACTER PROPORTION LETTERS AND NUMBERS ON SIGNS SHALL HAVE A WIDTH-TO-HEIGHT RATIO BETWEEN 3:5 AND 1:1 AND A STROKE WIDTH TO HEIGHT RATIO BETWEEN 1:5 AND 1:10.
- 4.30.3 COLOR CONTRAST CHARACTERS AND SYMBOLS SHALL CONTRAST WITH THEIR BACKGROUND—EITHER LIGHT CHARACTERS ON A DARK BACKGROUND OR DARK CHARACTERS ON A LIGHT BACKGROUND.
- 4.30.4 RAISED OR INDENTED CHARACTERS OR SYMBOLS LETTERS AND NUMBERS ON SIGNS SHALL BE RAISED 1/32" MINIMUM AND SHALL BE SHARP POINT CHARACTERS. RAISED CHARACTERS OR SYMBOLS SHALL BE AT LEAST 5/16" (7.6mm) HIGH, BUT NO HIGHER THAN 2" (50.8mm). INDENTED CHARACTERS OR SYMBOLS SHALL HAVE A STROKE WIDTH OF AT LEAST 1/16" (1.6mm). SYMBOLS OR PICTOGRAPHS ON SIGNS SHALL BE RAISED OR INDENTED 1/32" MINIMUM.
- 4.30.5 SYMBOLS OF ACCESSIBILITY ACCESSIBLE FACILITIES REQUIRED TO BE IDENTIFIED BY 4.1 SHALL USE THE INTERNATIONAL SYMBOL OF ACCESSIBILITY. THE SYMBOL SHALL BE DISPLAYED AS SHOWN IN FIG. 43.
- 4.30.6 MOUNTING LOCATION AND HEIGHT INTERIOR SIGNAGE SHALL BE LOCATED ALONGSIDE THE DOOR ON THE LATCH SIDE AND SHALL BE MOUNTED AT A HEIGHT OF BETWEEN 54" AND 66" (1370mm AND 1675mm) ABOVE THE FINISHED FLOOR.



EXTERIOR HANDICAP SIGN  
N.T.S.



(a) PROPORTIONS  
(b) DISPLAY CONDITIONS  
FIG. 43

**INTERNATIONAL SYMBOL OF ACCESSIBILITY**

PUBLIC TELEPHONES REQUIRED TO BE ACCESSIBLE BY 4.1 SHALL COMPLY WITH 4.31.

**4.31 TELEPHONES.**

- 4.31.1 GENERAL
  - 4.31.1.1 CLEAR FLOOR OR GROUND SPACE A CLEAR FLOOR OR GROUND SPACE AT LEAST 30" BY 49" (760mm BY 1200mm) THAT ALLOWS EITHER A FORWARD OR PARALLEL APPROACH BY A PERSON USING A WHEELCHAIR SHALL BE PROVIDED AT TELEPHONES. THE CLEAR FLOOR OR GROUND SPACE SHALL COMPLY WITH 4.2.4. BASES, ENCLOSURES, AND FIXED SEATS SHALL NOT IMPED APPROACHES TO TELEPHONES BY PEOPLE WHO USE WHEELCHAIRS.
  - 4.31.1.2 MOUNTING HEIGHT THE HIGHEST OPERABLE PART OF THE TELEPHONE SHALL BE WITHIN THE REACH RANGES SPECIFIED IN 4.2.3 OR 4.2.6.
  - 4.31.1.3 PROTRUDING OBJECTS TELEPHONES SHALL COMPLY WITH 4.4.
  - 4.31.1.4 EQUIPMENT FOR HEARING IMPAIRED PEOPLE TELEPHONES SHALL BE EQUIPPED WITH A RECEIVER THAT GENERATES A MAGNETIC FIELD IN THE AREA OF THE RECEIVER CAP. VOLUME CONTROLS SHALL BE PROVIDED IN ACCORDANCE WITH 4.1.2.
  - 4.31.1.5 CONTROLS TELEPHONES SHALL HAVE PUSHBUTTON CONTROLS WHERE SERVICE FOR SUCH EQUIPMENT IS AVAILABLE.
  - 4.31.1.6 TELEPHONE BOOKS TELEPHONE BOOKS, IF PROVIDED, SHALL BE LOCATED IN A POSITION THAT COMPLIES WITH THE REACH RANGES SPECIFIED IN 4.2.3 AND 4.2.6.
  - 4.31.1.7 CORD LENGTH THE CORD FROM THE TELEPHONE TO THE HANDSET SHALL BE AT LEAST 29".

**4.32 SEATING, TABLES, AND WORK SURFACES.**

- 4.32.1 MINIMUM NUMBER FIXED OR BUILT-IN SEATING, TABLES, OR WORK SURFACES REQUIRED TO BE ACCESSIBLE BY 4.1 SHALL COMPLY WITH 4.32.
- 4.32.2 SEATING IF SEATING SPACES FOR PEOPLE IN WHEELCHAIRS ARE PROVIDED AT TABLES, COUNTERS, OR WORK SURFACES, CLEAR FLOOR SPACE COMPLYING WITH 4.2.4 SHALL BE PROVIDED. SUCH CLEAR FLOOR SPACE SHALL NOT OVERLAP KNEE SPACE BY MORE THAN 19" (485mm).
- 4.32.3 KNEE CLEARANCES IF SEATING FOR PEOPLE IN WHEELCHAIRS IS PROVIDED AT TABLES, COUNTERS, AND WORK SURFACES, KNEE SPACES AT LEAST 27" (685mm) HIGH, 30" (760mm) WIDE AND 19" (485mm) DEEP SHALL BE PROVIDED.
- 4.32.4 HEIGHT OF WORK SURFACES THE TOPS OF TABLES AND WORK SURFACES SHALL BE FROM 28" TO 34" (710mm TO 865mm) FROM THE FLOOR OR GROUND.

**4.33 ASSEMBLY AREAS.**

- 4.33.1 MINIMUM NUMBER ASSEMBLY AND ASSOCIATED AREAS REQUIRED TO BE ACCESSIBLE BY 4.1 SHALL COMPLY WITH 4.33.
- 4.33.2 SIZE OF WHEELCHAIR LOCATIONS EACH WHEELCHAIR LOCATION SHALL PROVIDE MINIMUM CLEAR GROUND OR FLOOR SPACES AS SHOWN IN FIG. 46.
- 4.33.3 PLACEMENT OF WHEELCHAIR LOCATIONS WHEELCHAIR AREAS SHALL BE AN INTEGRAL PART OF ANY FIXED SEATING PLAN AND SHALL BE DISPERSED THROUGHOUT THE SEATING AREA. THEY SHALL ADD ON TO ACCESSIBLE ROUTES THAT ALSO SERVE AS A MEANS OF EGRESS IN CASE OF EMERGENCY AND SHALL BE LOCATED TO PROVIDE LINES OF SIGHT COMPARABLE TO THOSE FOR ALL VIEWING AREAS.
- EXCEPTION: ACCESSIBLE VIEWING POSITIONS MAY BE CLUSTERED FOR BLEACHERS, BALCONIES, AND OTHER AREAS HAVING SIGHT LINES THAT REQUIRE SPACES OF GREATER THAN 5' PRESENT. EQUIVALENT ACCESSIBLE VIEWING POSITIONS MAY BE LOCATED ON LEVELS HAVING ACCESSIBLE EGRESS.
- 4.33.4 SURFACES THE GROUND OR FLOOR AT WHEELCHAIR LOCATIONS SHALL BE LEVEL AND COMPLY WITH 4.5.
- 4.33.5 ACCESS TO PERFORMING AREAS AN ACCESSIBLE ROUTE SHALL CONNECT WHEELCHAIR SEATING LOCATIONS WITH PERFORMING AREAS, INCLUDING STAGES, ARENA FLOORS, DRESSING ROOMS, LOCKER ROOMS, AND OTHER SPACES USED BY PERFORMERS.
- 4.33.6 PLACEMENT OF LISTENING SYSTEMS IF THE LISTENING SYSTEM PROVIDED SERVES INDIVIDUAL SEATED SEATS, THEN SUCH SEATS SHALL BE LOCATED WITHIN A 50' (15.24m) VIEWING DISTANCE STAGE OR PLAYING AREA AND SHALL HAVE A COMPLETE VIEW OF THE STAGE OR PLAYING AREA.
- 4.33.7 TYPES OF LISTENING SYSTEMS AUDIO LOOPS AND RADIO FREQUENCY SYSTEMS ARE TWO ACCEPTABLE TYPES OF LISTENING SYSTEMS.

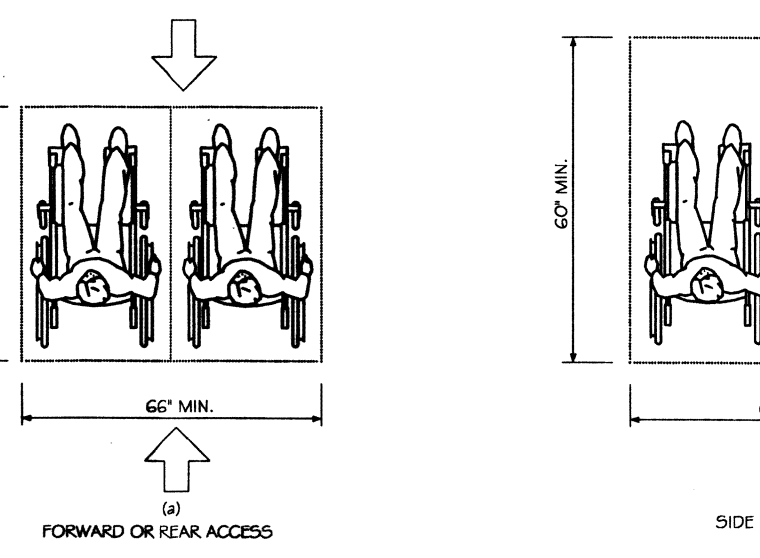
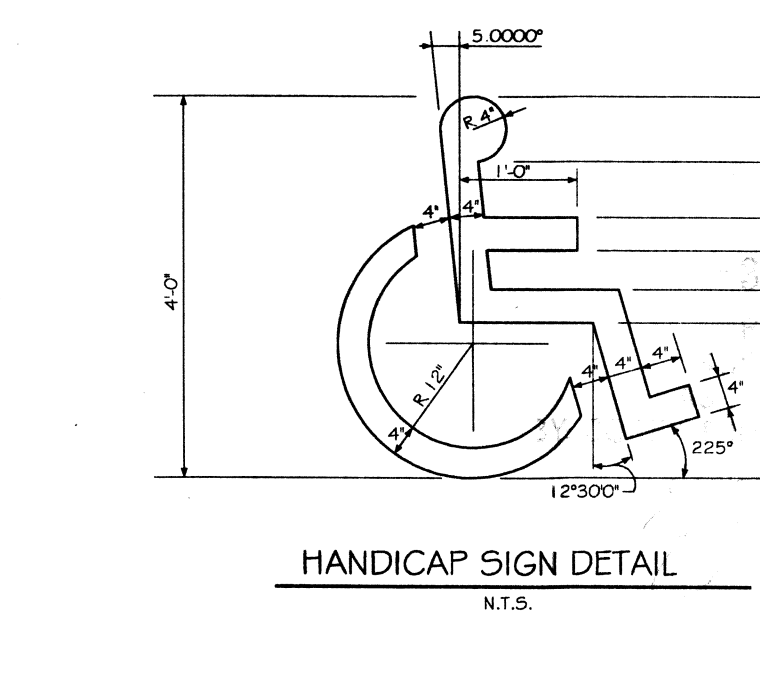
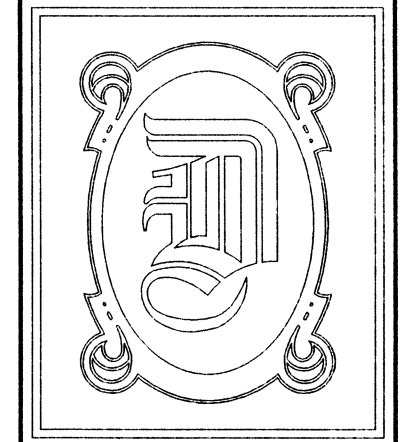


FIG. 46  
SPACE REQUIREMENTS FOR WHEELCHAIR SEATING SPACES IN SERIES  
N.T.S.



HANDICAP SIGN DETAIL  
N.T.S.



**DAMMON ENGINEERING, INC.**

CHIEF ENGINEER  
EMMETT  
DAMMON, P.E.

CHIEF ARCHITECT  
ROBERT  
WILTSE

554 OLD SPANISH TRAIL  
SLIDELL, LA. 70458  
OFFICE: 985-649-5832  
FAX: 985-641-5950

WEBSITE:  
WWW.DAMMONENGINEERING.COM

EMAIL:  
DAMMONENG@BELL SOUTH.NET

- ARCHITECTURE
- ENGINEERING
- STUDIES
- PLANNING
- INVESTIGATION
- EXPERT WITNESS

PAUL REES  
OFFICE BUILDING  
2275 8TH. ST.  
MANDEVILLE, LA  
70471

**HANDICAP REQUIREMENTS**

REV: Robert Wiltse

SCALE: AS NOTED  
JOB#: 2104  
DATE: 05-20-11  
SHEET 16

H-2

OF 20