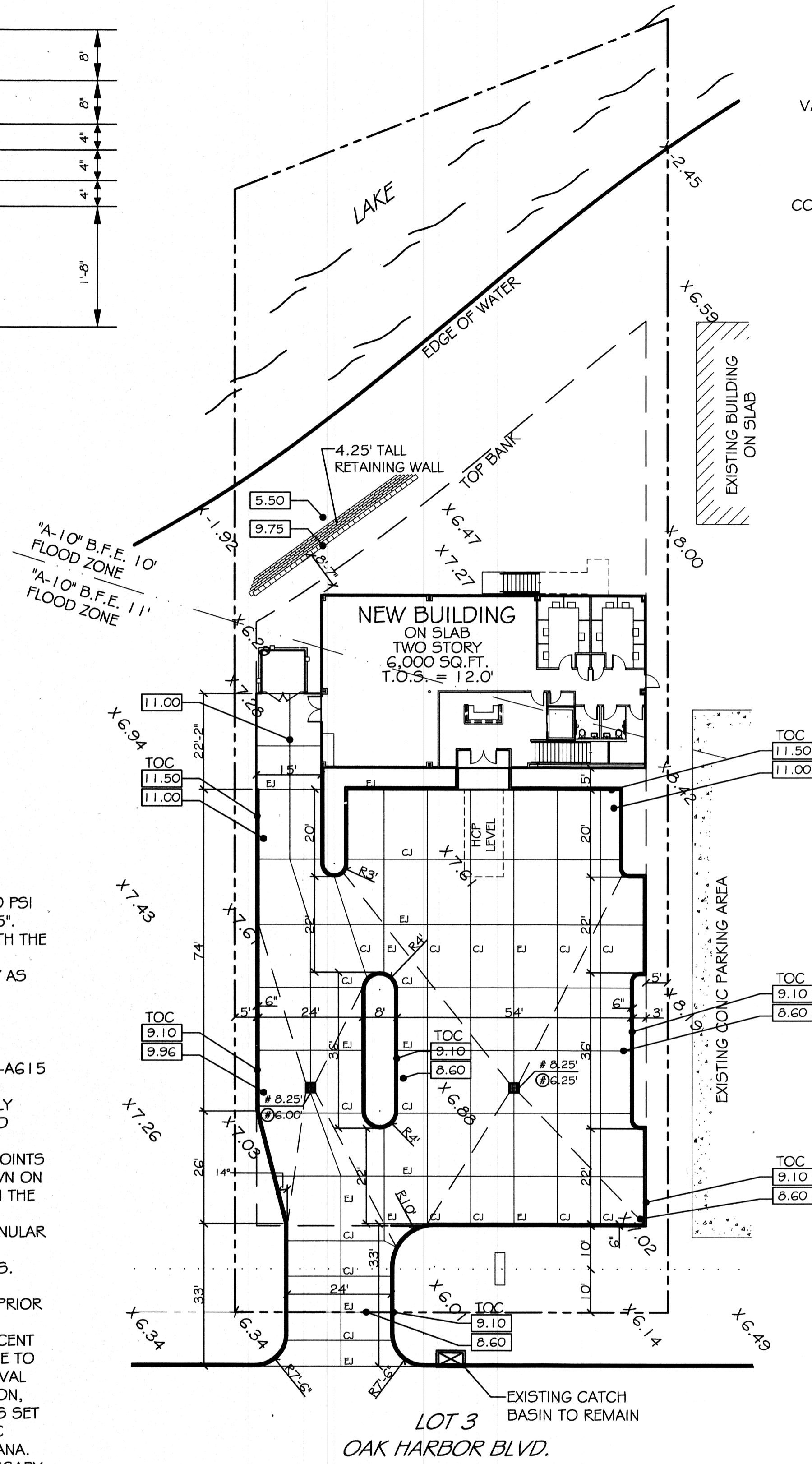


HANDICAP SYMBOL DETAIL
N. T. S.

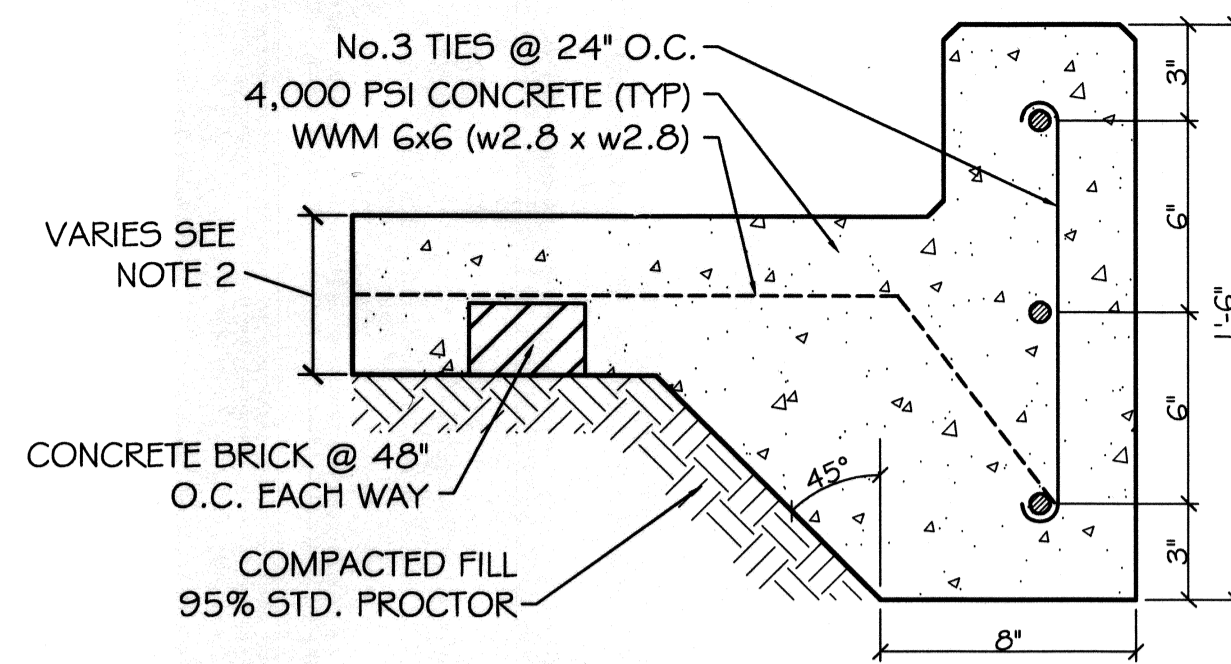
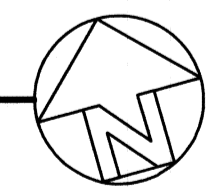
PAVING NOTES:

- 1) ALL NEW CONCRETE SHALL HAVE A MINIMUM COMPRESSIVE STRENGTH OF 4,000 PSI AT 28 DAYS AND A MINIMUM THICKNESS OF 5". CONCRETE MIX SHALL BE IN ACCORDANCE WITH THE LATEST REVISION OF ASTM C-150 TYPE 1.
- 2) CONCRETE PAVING THICKNESS SHALL VARY AS FOLLOWS:
 - a) APRONS = 7" THICKNESS
 - b) DRIVELANES = 6" THICKNESS
 - c) PARKING AREAS = 5" THICKNESS
- 3) ALL REINFORCING STEEL SHALL MEET ASTM-A6 15 (GRADE 60).
- 4) ALL REINFORCING STEEL SHALL BE SECURELY SUPPORTED TO PREVENT BOTH VERTICAL AND HORIZONTAL MOVEMENT DURING CONCRETE PLACEMENT. ALL CONTROL AND EXPANSION JOINTS SHALL BE LOCATED AND INSTALLED AS SHOWN ON THE PAVING PLAN AND IN ACCORDANCE WITH THE MANUFACTURER'S RECOMMENDATIONS.
- 5) ALL SUB GRADE FILL SHALL BE SELECT GRANULAR MATERIAL COMPACTED TO 95% STANDARD PROCTOR DENSITY IN A MAXIMUM OF 6" LIFTS.
- 6) CONTRACTOR SHALL CONTACT THEIR REGULATORY DEPARTMENT OF ENGINEERING PRIOR TO CONDUCTING ANY WORK.
- 7) ANY WORK WITHIN THE ROADWAY OR ADJACENT TO THE ROADWAY CAUSING AN INTERFERENCE TO VEHICULAR TRAFFIC REQUIRES PRIOR APPROVAL FROM THE CITY TRAFFIC ENGINEERING DIVISION, AND MUST CONFORM TO THE REQUIREMENTS SET FORTH BY THE UNIFORM MANUAL OF TRAFFIC CONTROL DEVICES OF THE STATE OF LOUISIANA. THE CONTRACTOR MUST FURNISH ALL NECESSARY TRAFFIC SIGNS AND/OR BARRICADES AND MAINTAIN THEM DURING CONSTRUCTION ACTIVITY.

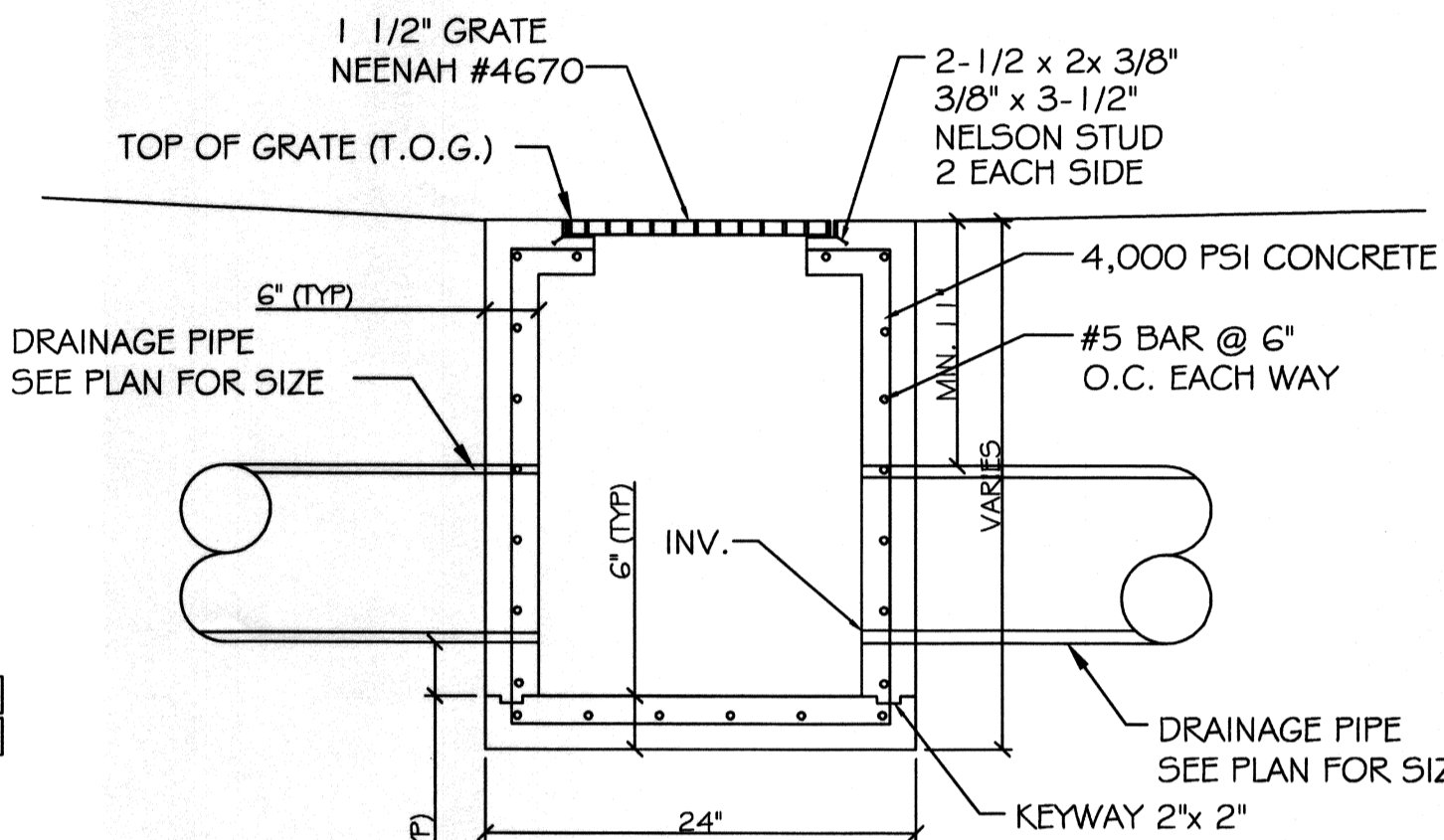


SITE PAVING PLAN

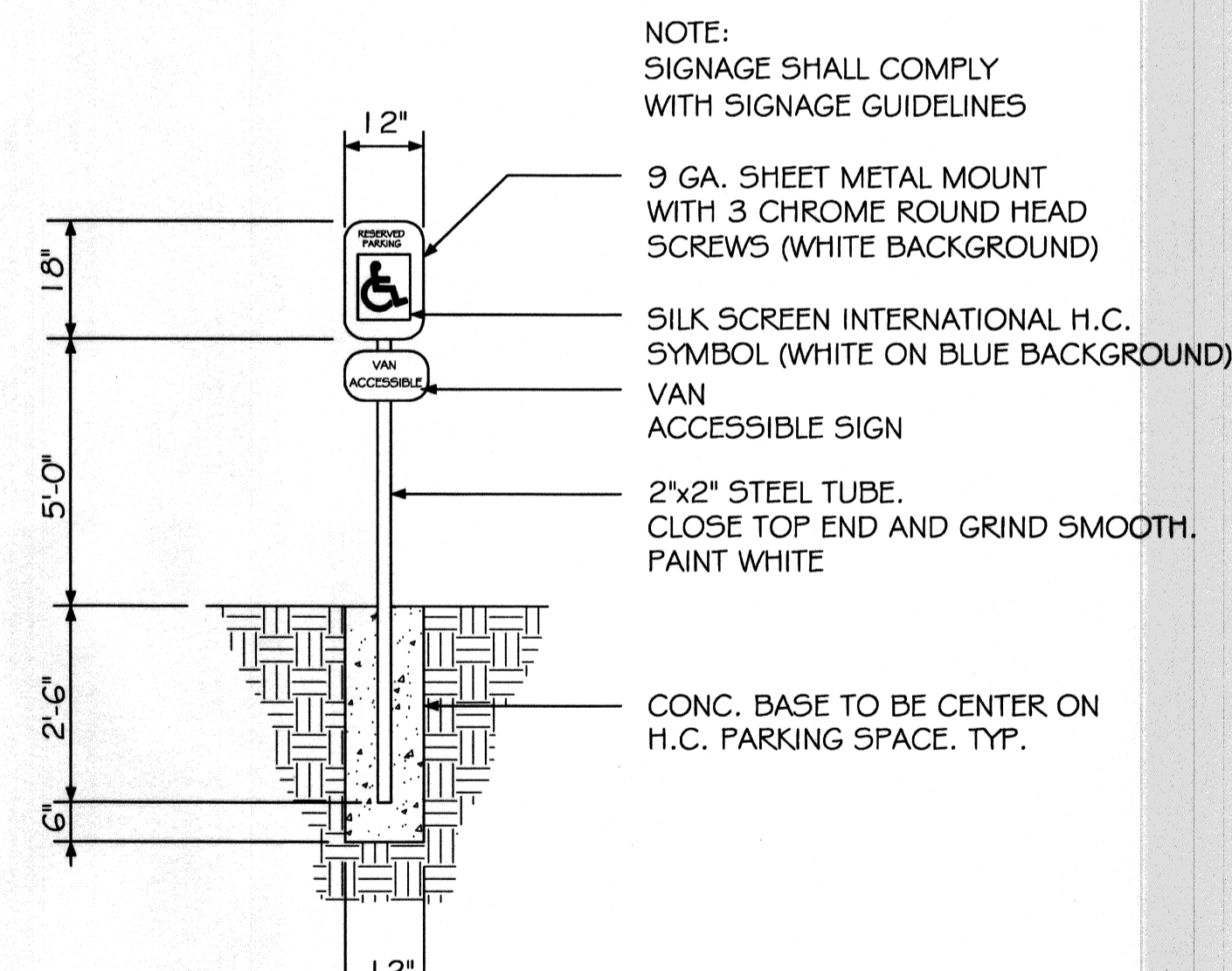
SCALE: 1"=20'-0"



TYPICAL CURB DETAIL
N. T. S.

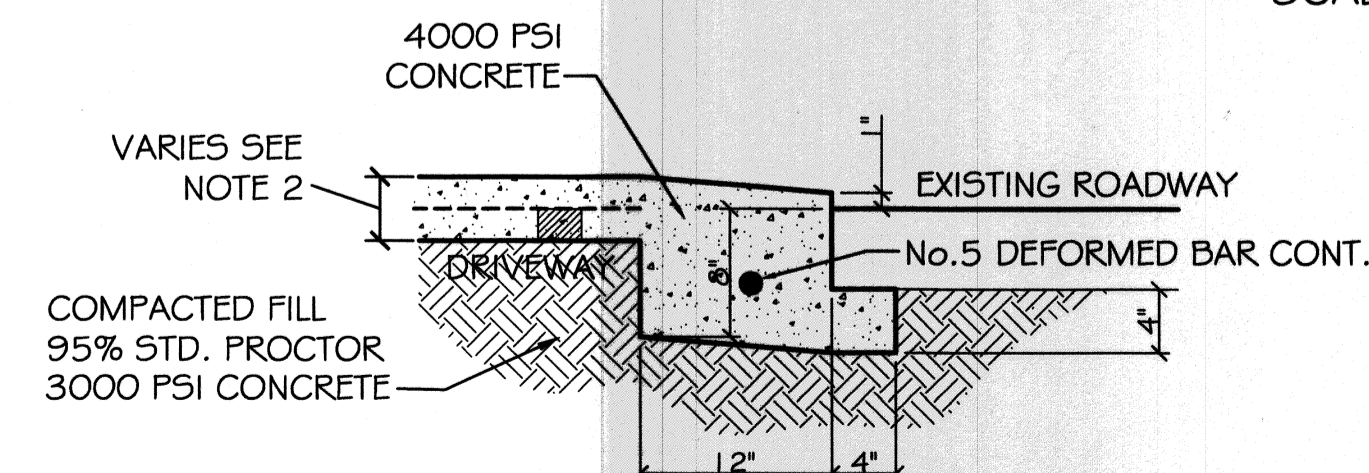


TYPICAL DROP INLET
N. T. S.



HANDICAP PARKING SIGN

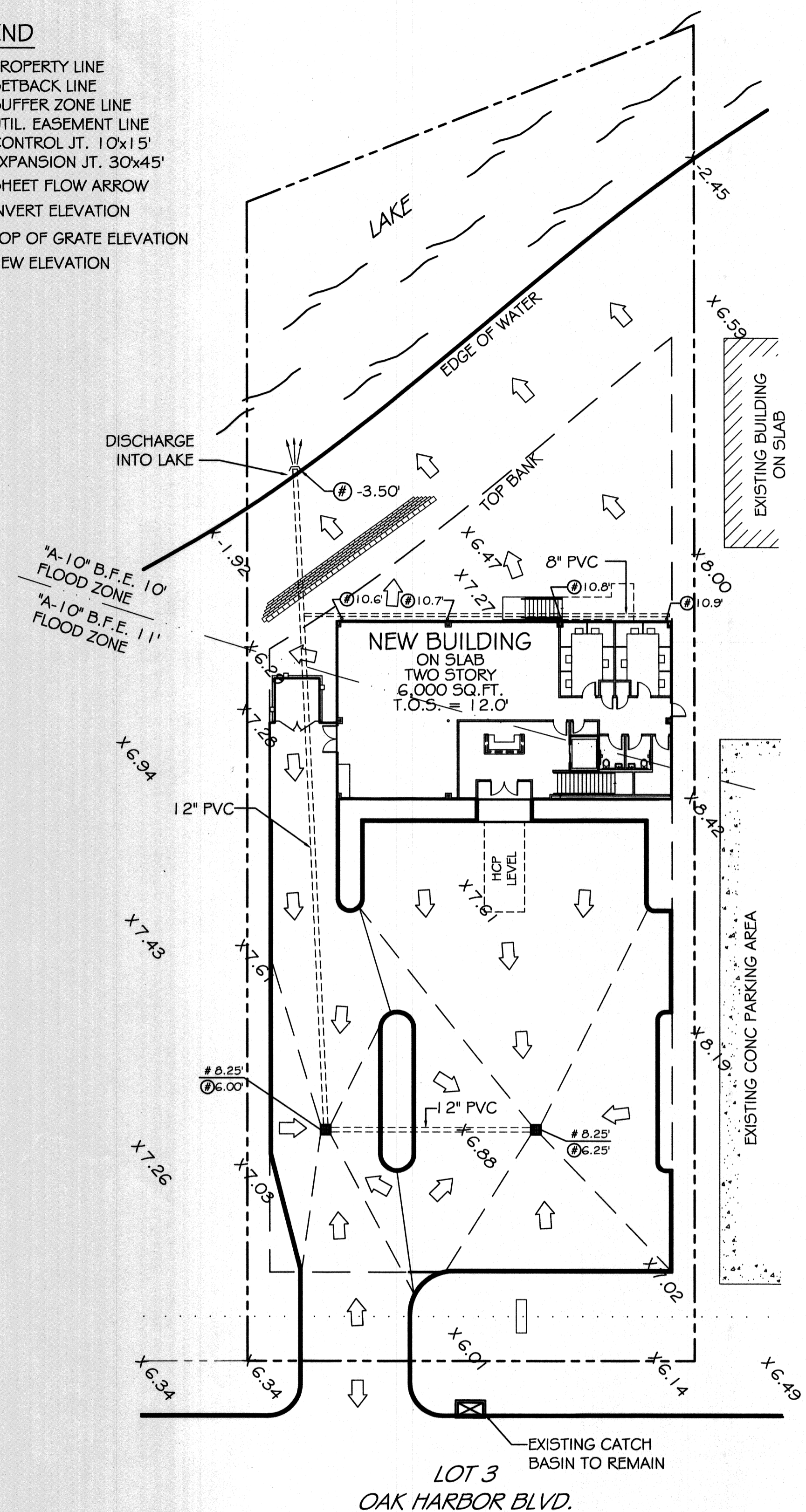
N. T. S.



DRIVEWAY SECTION
N. T. S.

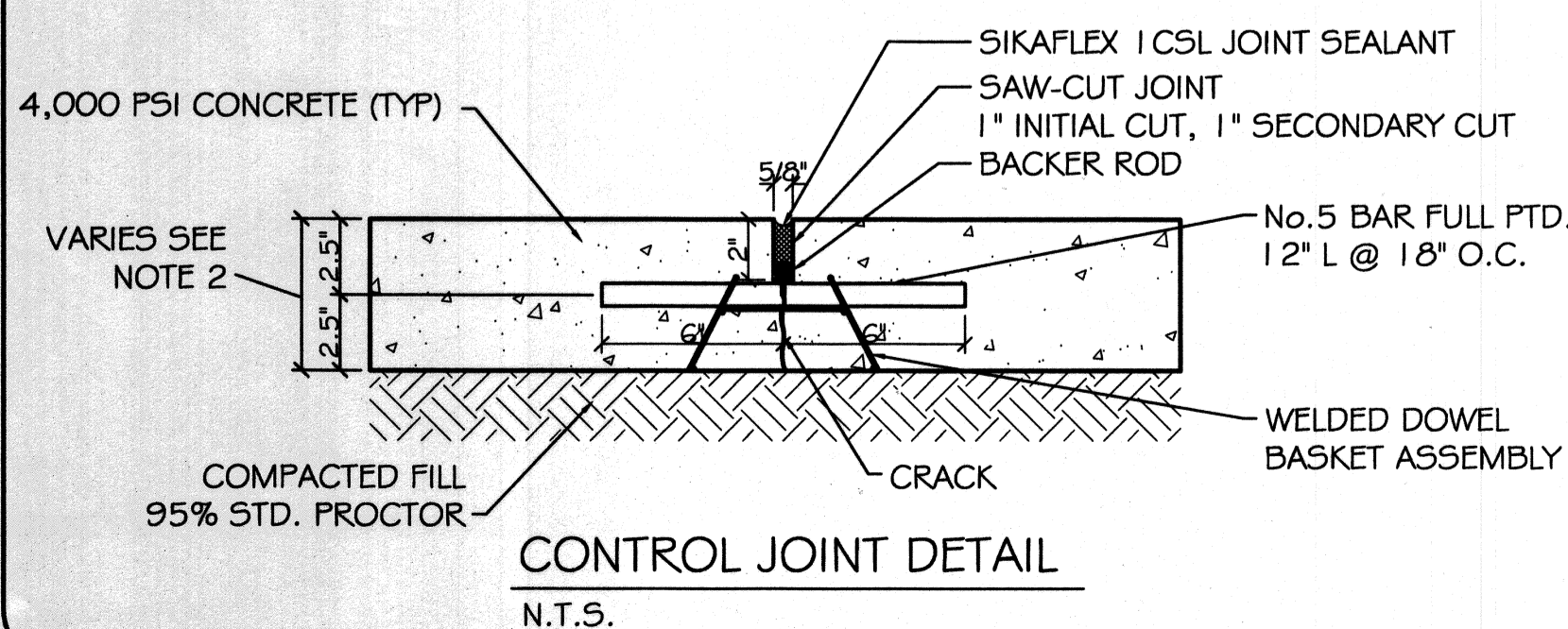
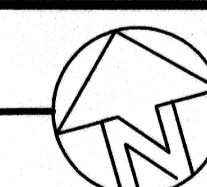
LEGEND

- PROPERTY LINE
- SETBACK LINE
- BUFFER ZONE LINE
- UTIL. EASEMENT LINE
- CONTROL JT. 10'x15'
- EXPANSION JT. 30'x45'
- SHEET FLOW ARROW
- ① 0.00 - INVERT ELEVATION
- # 0.00 - TOP OF GRATE ELEVATION
- 00.00 - NEW ELEVATION

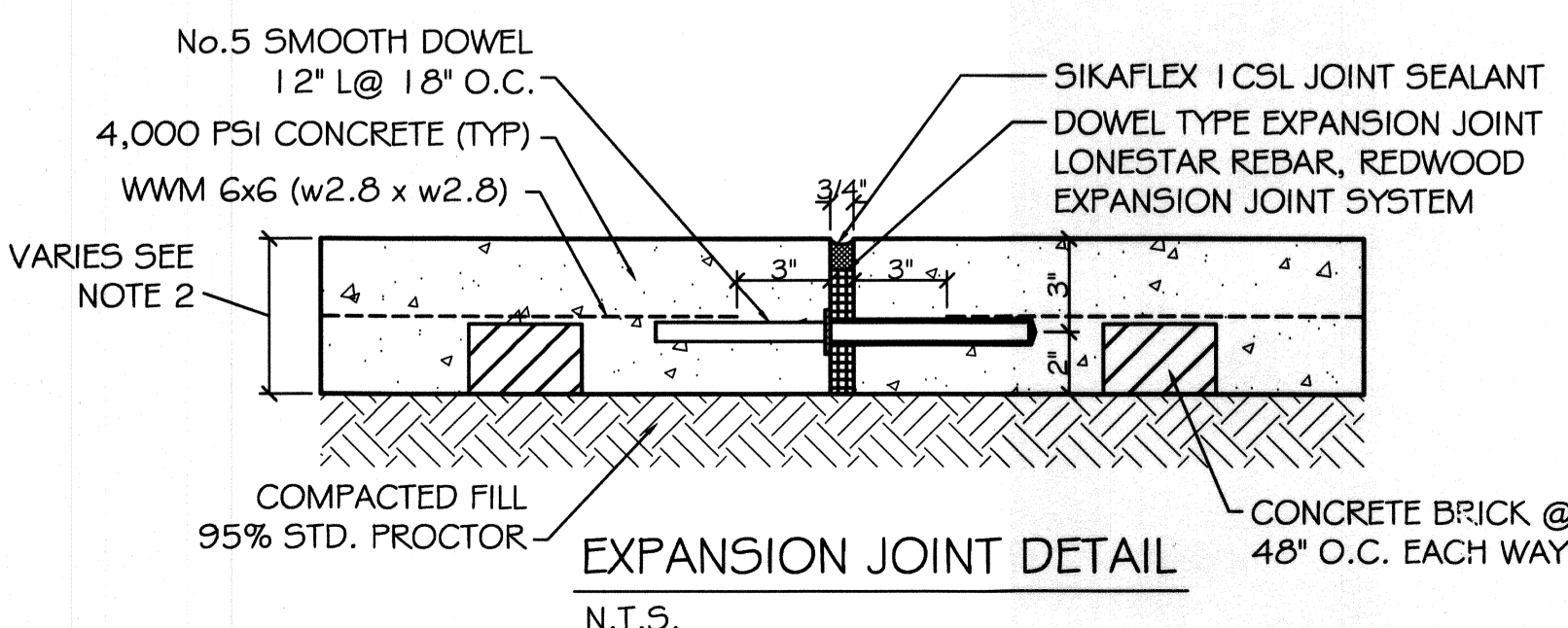


SITE DRAINAGE PLAN

SCALE: 1"=20'-0"



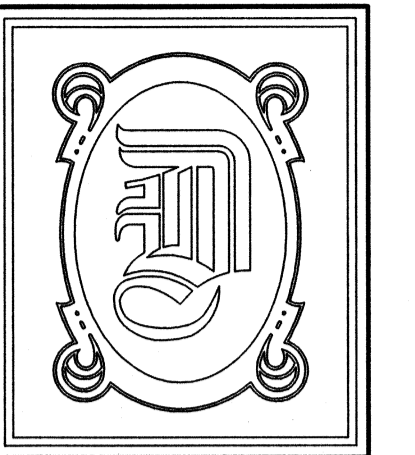
CONTROL JOINT DETAIL
N. T. S.



EXPANSION JOINT DETAIL
N. T. S.

DRAINAGE PLAN NOTES:

1. DRAIN PIPE & FITTINGS WITHIN PROPERTY LINE SHALL BE POLYVINYL CHLORIDE PLASTIC PIPE, MEETING CLASS 100 C-900 PVC.
2. ELEVATIONS SHOWN ARE M.S.L.
3. FIELD VERIFY ALL ELEVATIONS AND DRAINAGE SYSTEM PLACEMENT PRIOR TO START OF WORK.
4. THERE IS NO EVIDENCE OF EXISTING OFF-SITE FLOW CROSSING THE PROPERTY.



DAMMON ENGINEERING, INC.

CHIEF ENGINEER
EMMETT DAMMON, P.E.

CHIEF ARCHITECT
ROBERT WILTSE

554 OLD SPANISH TRAIL
SLIDELL, LA. 70458
OFFICE: 985-649-5832
FAX: 985-641-5950

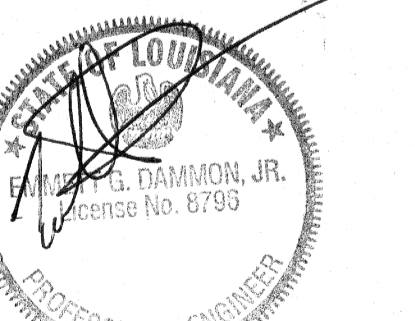
WEBSITE:
WWW.DAMMONENGINEERING.COM
EMAIL:
DAMMONENG@BELLSOUTH.NET

- ARCHITECTURE
- ENGINEERING
- STUDIES
- PLANNING
- INVESTIGATION
- EXPERT WITNESS

BROCK BEAUTY INC.

K.B. KAUFMANN
OAK HARBOR BLVD.
LOT 3
SLIDELL, LA
70458

PAVING AND DRAINAGE PLAN



REV:

SCALE: AS NOTED

JOB#: 2125

DATE: 12-21-11

SHEET 4

C-3

OF 18