

DAMMON
ENGINEERING, INC.

CHIEF ENGINEER
ENNETT
DAMMON, P.E.

CHIEF ARCHITECT
ROBERT
WILTSE

554 OLD SPANISH TRAIL
SLIDELL, LA, 70458
OFFICE: 985-649-5832
FAX: 985-641-5950

WWW.DAMMONENGINEERING.COM
EMAIL:
DAMMONENGIN@BELL.SOUTH.NET

ARCHITECTURE
ENGINEERING
STUDIES
PLANNING
INVESTIGATION
EXPERT WITNESSES

BROCK
BEAUTY INC.

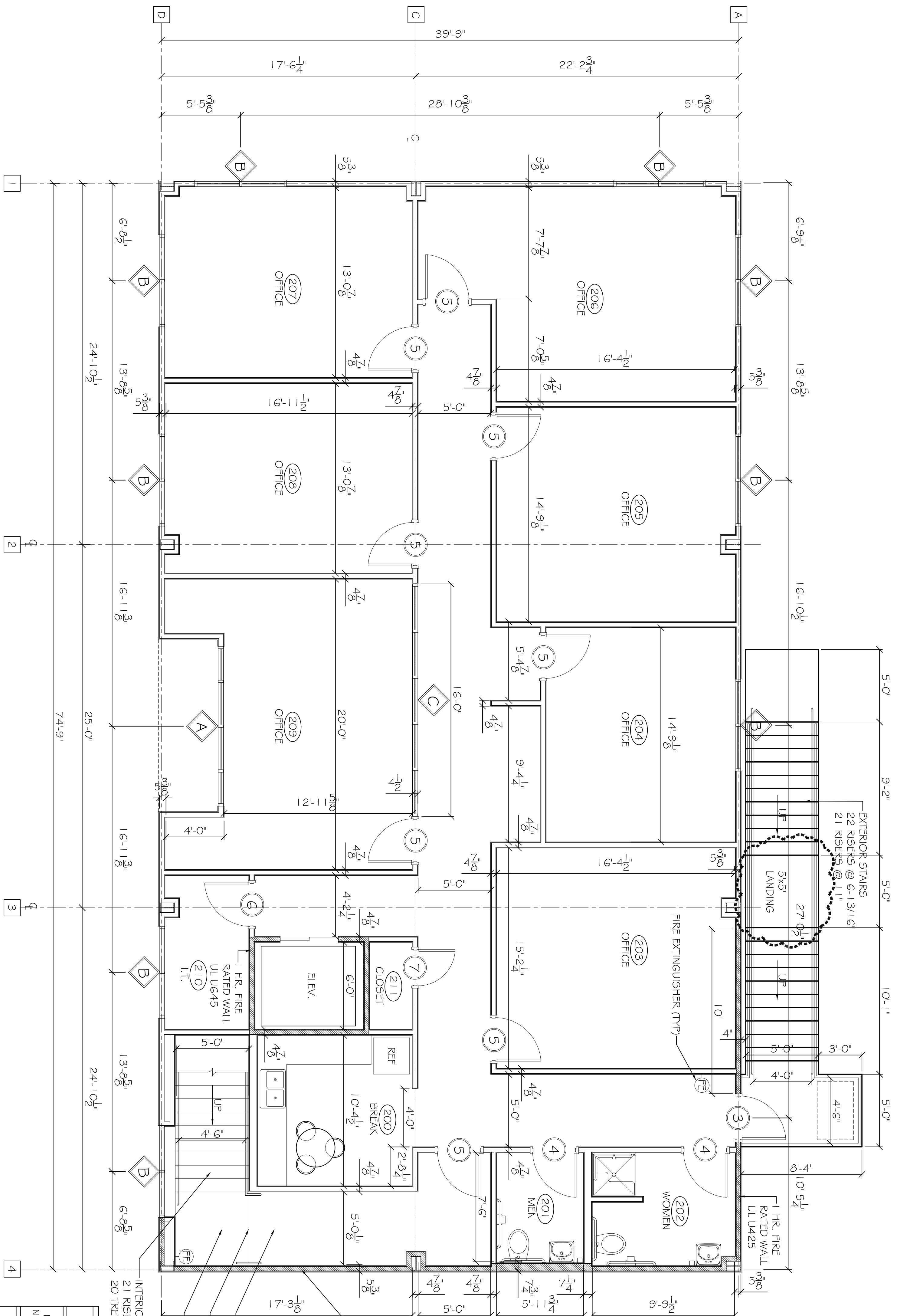
K.B. KAUFMANN
OAK HARBOR BLVD.
LOT 3
SLIDELL, LA
70458

SECOND
FLOOR PLAN

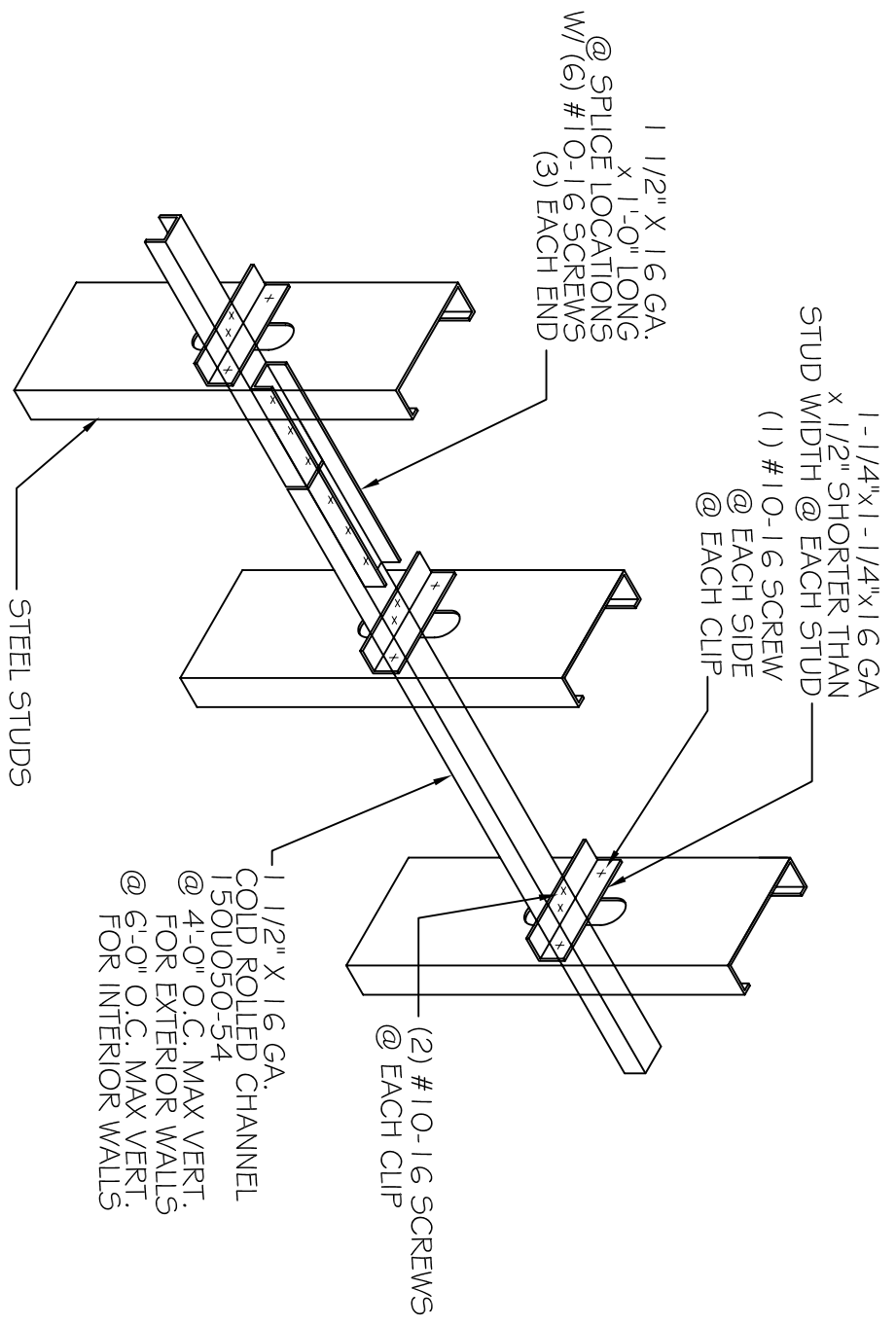
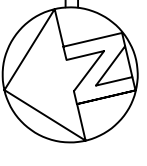
REV: 1-12-2012
RE: FM REVIEW OF STAIRCASE
SCALE: AS NOTED
JOB#: 2125
DATE: 12-21-11
SHEET 8

A-2

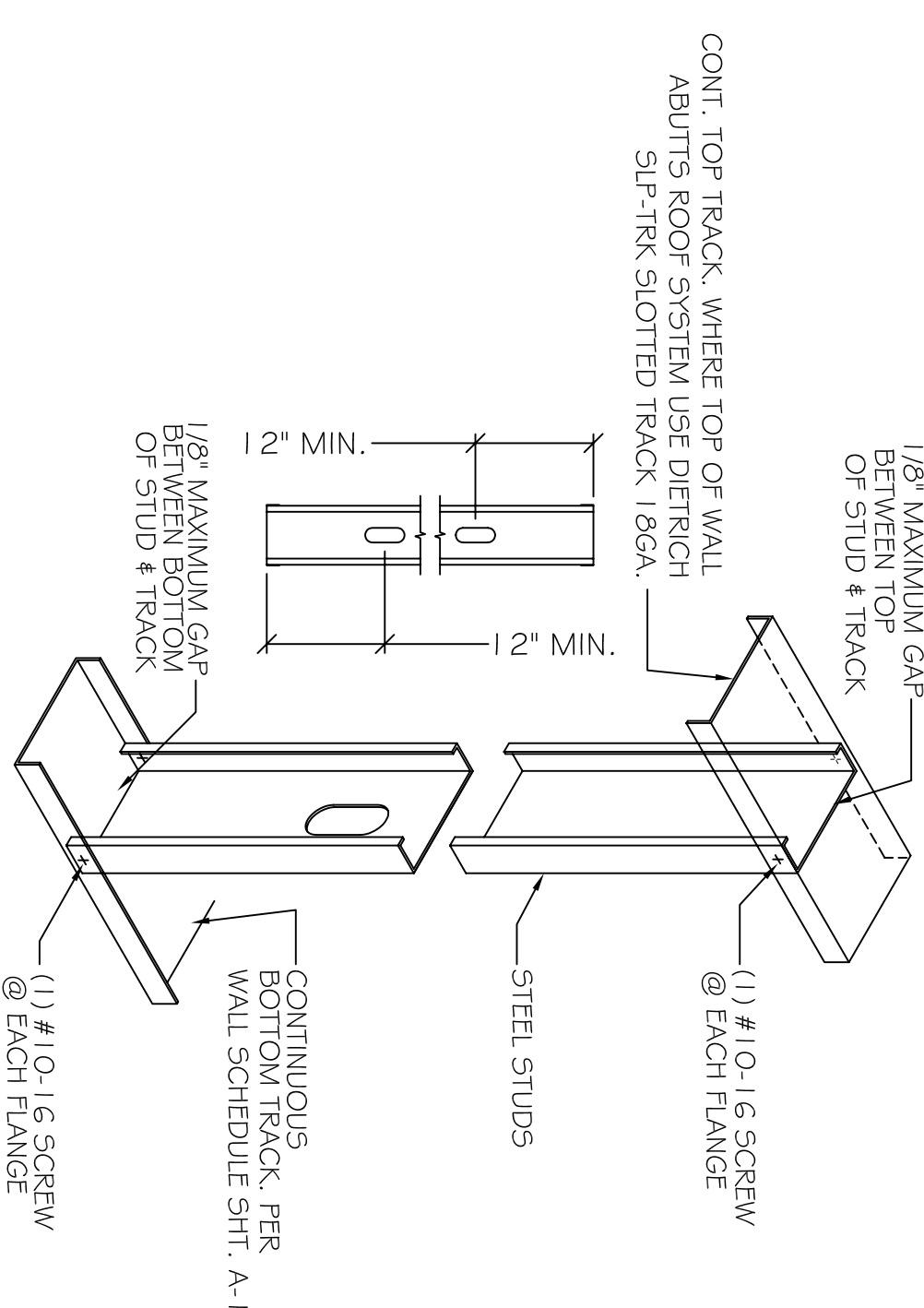
OF 18



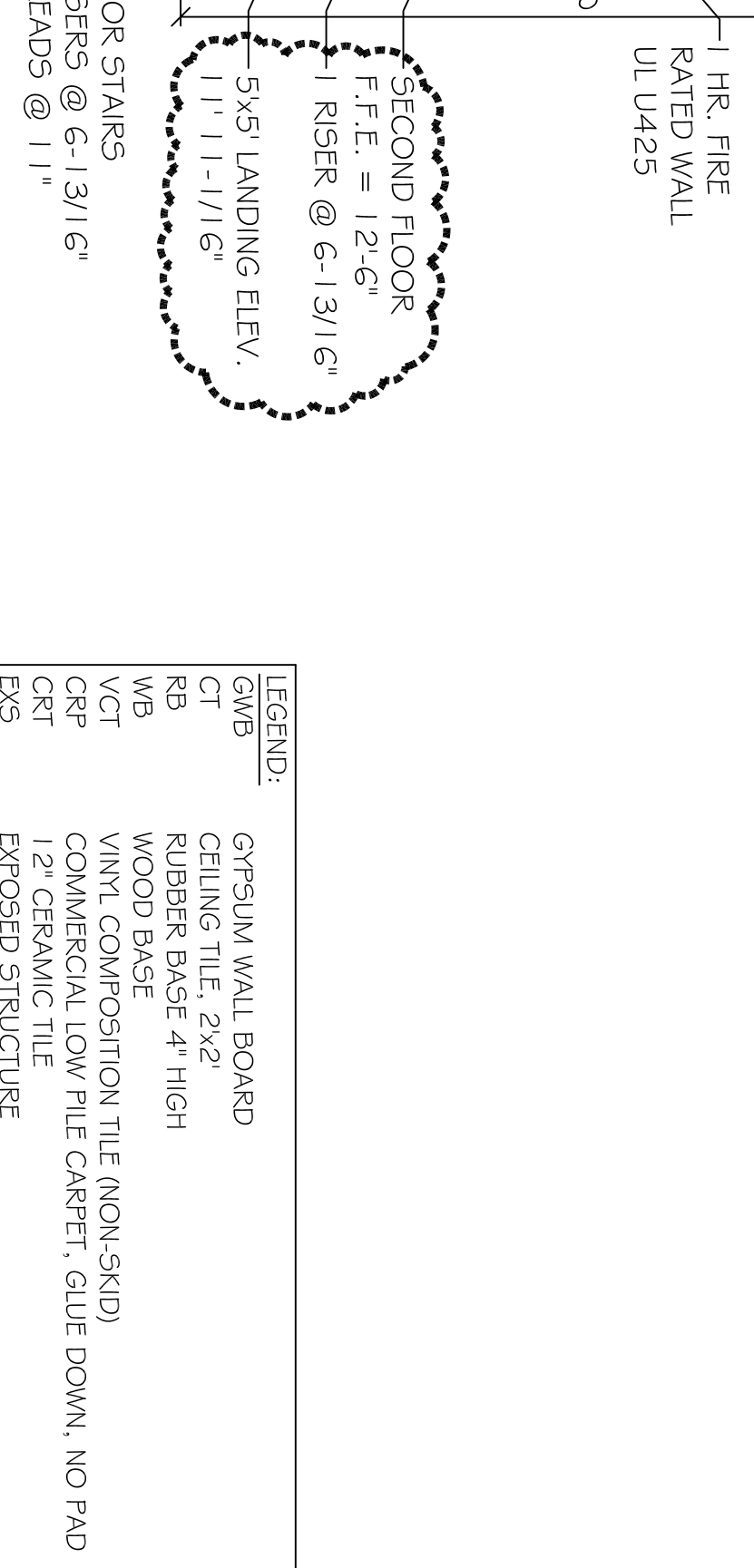
2ND FLOOR PLAN
SCALE: 1/4" = 1'-0"
3000 SF



HORZ. BRACING DETAIL
SCALE: N.T.S.



TRACK CONNECTION DETAIL
SCALE: N.T.S.



FINISH SCHEDULE

LEGEND:
 GWB GYPSUM WALL BOARD
 CT CEILING TILE, 2'x2'
 RB RUBBER BASE 2"x2"
 WB WOOD BASE
 VCT VINYL COMPOSITION TILE (NON-SKID)
 CRP COMMERCIAL LOW PILE CARPET, GUE DOWN, NO PAD
 CRT 12" CERAMIC TILE
 EXS EXPOSED STRUCTURE

FINISH SCHEDULE NOTES:
 [ALL FINISH MATERIALS TO BE SELECTED BY OWNER. VERIFY MANUFACTURER, STYLE AND COLOR WITH OWNER.