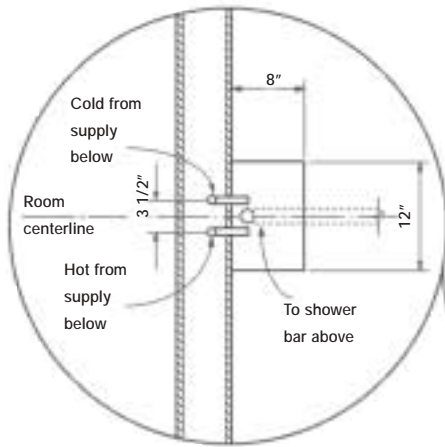


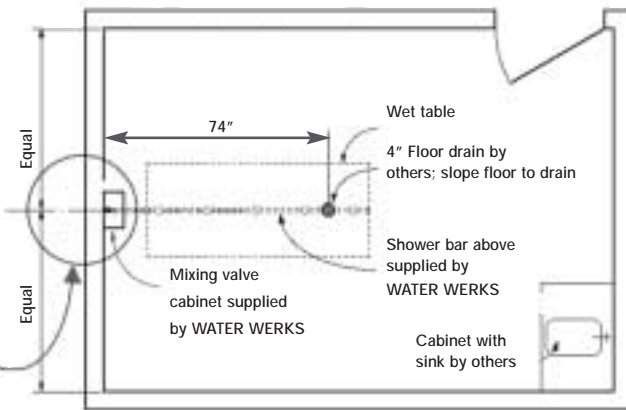
The Vichy shower is one of the most intriguing and effective treatments available for today's spa clientele. WATER WERKS Cascade Vichy Shower System gives the effect of a warm downpour on the body, one of the most relaxing and rejuvenating spa experiences.

Lying on a waterproof massage table, the Cascade's five shower heads rain down, providing a relaxing and therapeutic water massage. The built in hand shower makes thorough rinsing of spa products easy and convenient. With features like five self-cleaning shower heads, the most accurate thermostatic mixing valve available, and a durable, stainless steel construction, the Cascade will provide years of trouble free service with a timeless, elegant design.

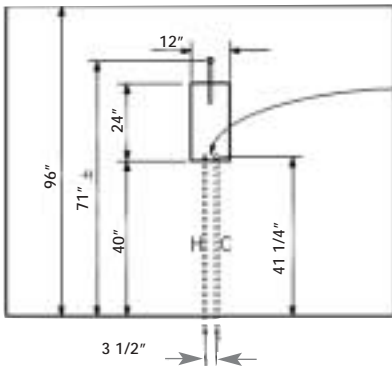
Plan Detail Of Mixing Valve Piping Rough-In



Typical Cascade Shower Room Plan

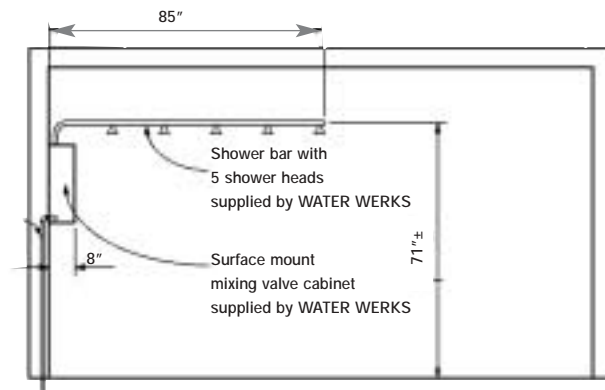


Mixing Valve Cabinet Rough-In Elevation



1/2" copper hot & cold supplies stubbed out of wall by others

Typical Cross Section of Shower System

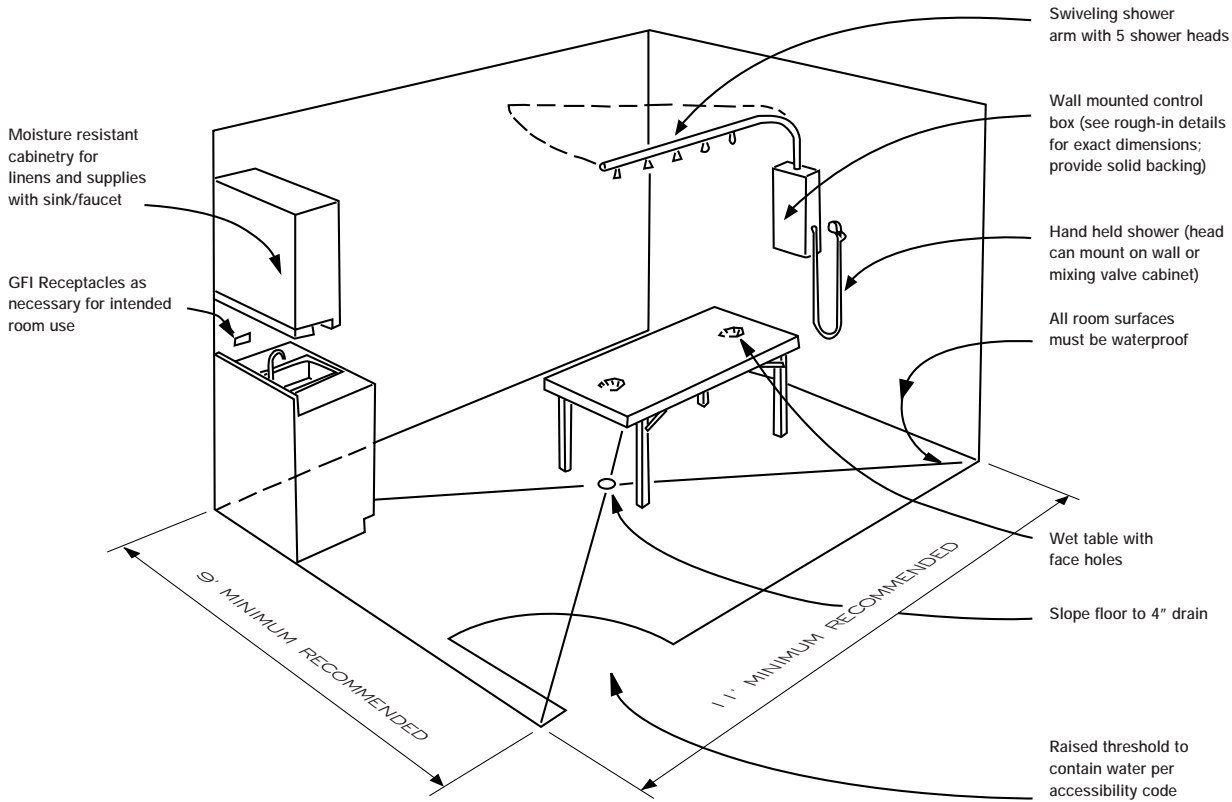


NOTES

1. Stable backing must be provided to accommodate forces exerted by use of device. No fasteners are included by WATER WERKS
2. Mixing valve cabinet is designed to receive water supply from bottom; If supply is from above, piping must be looped around to bottom of mixing valve cabinet.

3. Vent all plumbing as required by local code.
4. For easiest installation, reserve rough-in plumbing until cabinet assembly is on site.
5. Manufacturer reserves the right to alter details and/or dimensions without notice. Contact manufacturer for most recent version of drawings.

Typical Cascade Shower Room Layout



THE WATER WERKS 5 YEAR WARRANTY

WATER WERKS products are warranted to be free of defects in material and workmanship to the original domestic purchaser for five (5) years from the date of purchase as shown on the original invoice. If a defect is found, please contact WATER WERKS at the phone number below for instructions. Defective parts or components that are covered under this warranty must be returned to WATER WERKS insured and shipped pre-paid to the address shown below. WATER WERKS will, at its option, repair or replace the defective part or component. This warranty does not cover labor charges, damage caused by improper installation or modification. This warranty applies only to items that WATER WERKS manufactures.

Be sure to complete and return all warranty cards that come with your WATER WERKS equipment.

To obtain warranty service, contact WATER WERKS either through your dealer, or by calling WATER WERKS Customer Service Department at 952-884-9225. You may also write to us at WATER WERKS, Customer Service Department, 10740 Lyndale Avenue South, Suite 12W, Minneapolis, MN 55420. Please provide all pertinent information regarding your claim such as model type, purchase date, serial number, and type of problem.

There are no other express warranties on this product and ALL WARRANTIES OF MERCHANTABILITY AND WARRANTIES AS TO FITNESS FOR A PARTICULAR PURPOSE AND ANY OTHER IMPLIED WARRANTIES ARE EXPRESSLY DENIED. This warranty gives you specific legal rights, and you may also have other rights which vary from state to state.

The following specific items or components of WATER WERKS equipment come with their own manufacturers' warranties that vary depending on the item:

- The Setma Hydrotherapy Tub and Thalasso Tubs
- The mixing valve in the WATER WERKS Torrent, Monsoon, Cascade, Typhoon, Tsunami, Splash, Mirage and Scots Hose Showers
- The tub components in the WATER WERKS Aquarian and Zephyr Hydrotherapy Tubs
- WATER WERKS Aqua Top

Please refer to warranty cards enclosed with these products for details on the specific warranty terms and conditions for these items.