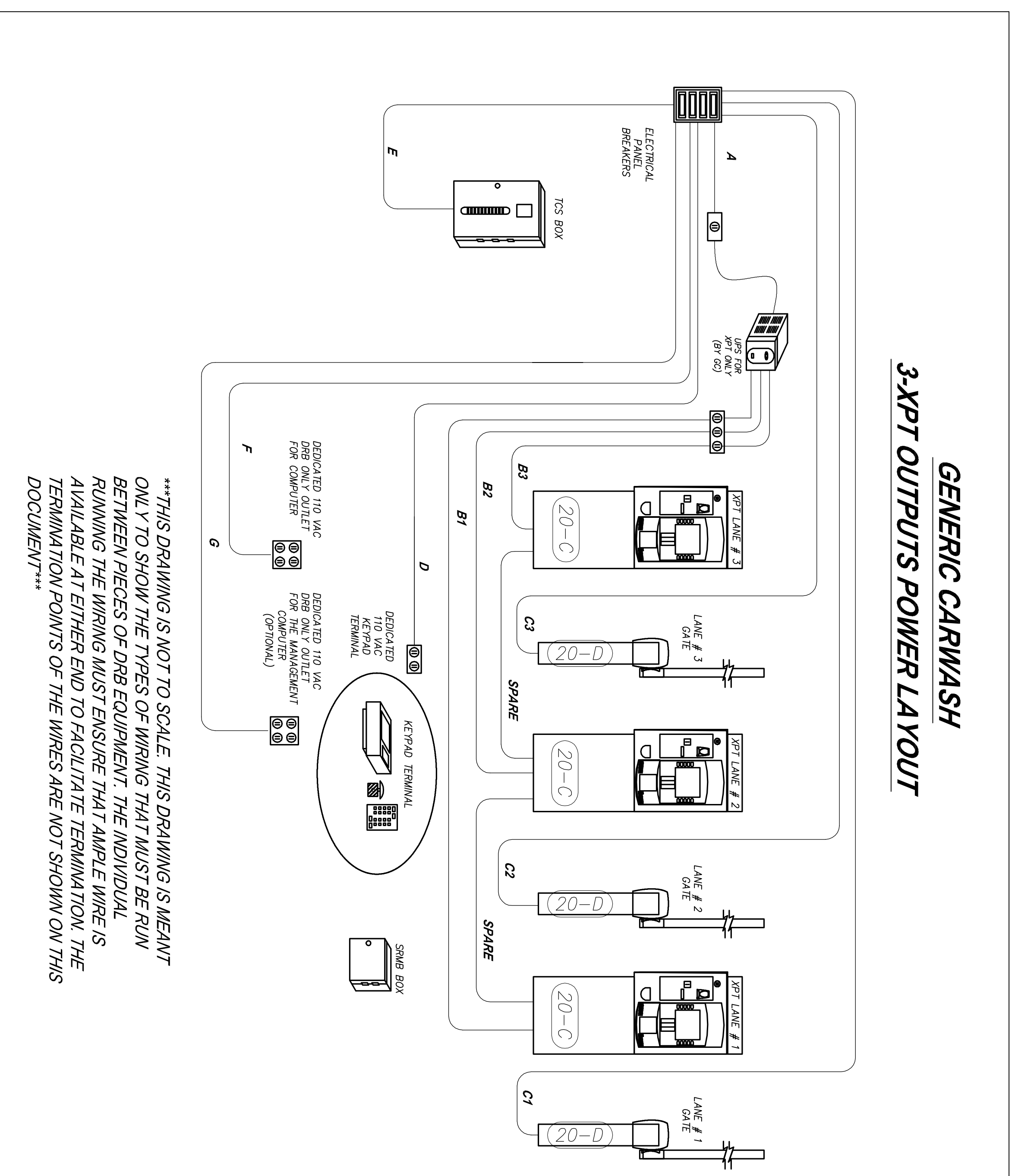
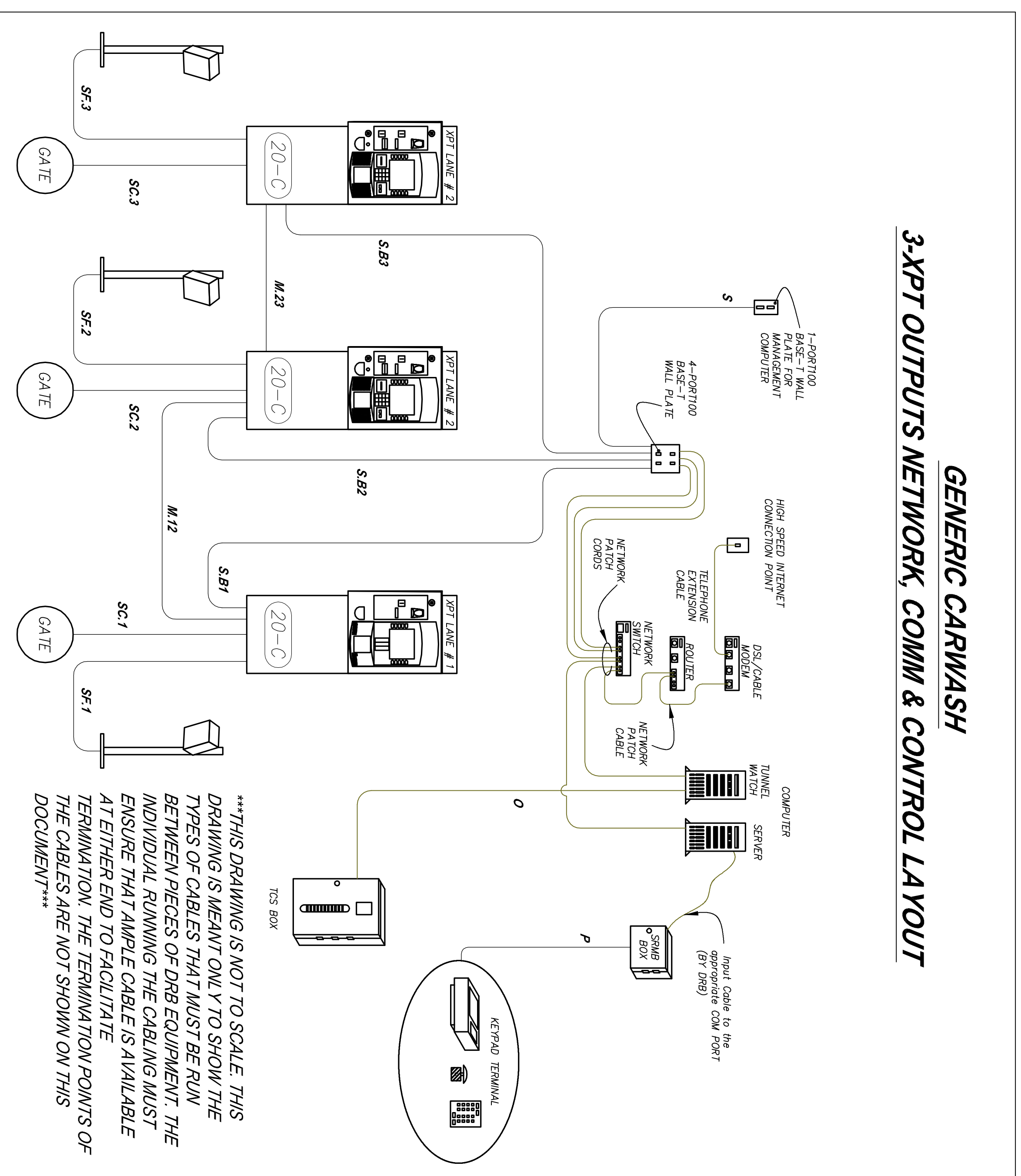


**GENERIC CARWASH
3-XPT OUTPUTS POWER LAYOUT**



THIS DRAWING IS NOT TO SCALE. THIS DRAWING IS MEANT ONLY TO SHOW THE TYPES OF WIRING THAT MUST BE RUN BETWEEN PIECES OF DRB EQUIPMENT. THE INDIVIDUAL RUNNING THE WIRING MUST ENSURE THAT AMPLE WIRE IS AVAILABLE AT EITHER END TO FACILITATE TERMINATION. THE TERMINATION POINTS OF THE WIRES ARE NOT SHOWN ON THIS DOCUMENT

**GENERIC CARWASH
3-XPT OUTPUTS NETWORK, COMM & CONTROL LAYOUT**



THIS DRAWING IS NOT TO SCALE. THIS DRAWING IS MEANT ONLY TO SHOW THE TYPES OF CABLES THAT MUST BE RUN BETWEEN PIECES OF DRB EQUIPMENT. THE INDIVIDUAL RUNNING THE CABLING MUST ENSURE THAT AMPLE CABLE IS AVAILABLE AT EITHER END TO FACILITATE TERMINATION. THE TERMINATION POINTS OF THE CABLES ARE NOT SHOWN ON THIS DOCUMENT

DISCLAIMER
ALTHOUGH BUILDING CODES HAVE BEEN CONSIDERED IN DEVELOPING THIS DRAWING, VERIFICATION OF SITE SPECIFIC CONDITIONS AND COMPLIANCE WITH FEDERAL, STATE AND LOCAL BUILDING CODES IS THE EXCLUSIVE RESPONSIBILITY OF THE CUSTOMER AND/OR ARCHITECT AND ENGINEER. THESE DRAWINGS REFLECT REQUIREMENTS FOR SONNY'S FURNISHED EQUIPMENT ONLY UNLESS OTHERWISE NOTED. PLEASE REFER TO OTHER MANUFACTURERS, IF ANY, FOR THEIR EQUIPMENT REQUIREMENTS.

CONFIDENTIAL WARNING:
THIS SHEET CONTAINS AND CONSTITUTES CONFIDENTIAL INFORMATION, IMAGES AND TRADE SECRETS OF SONNY'S ENTERPRISES INC. ANY UNAUTHORIZED USE OR DISCLOSURE OF ANY OR PORTION THEREOF, IS STRICTLY PROHIBITED. THIS WORK IS THE EXCLUSIVE PROPERTY OF SONNY'S ENTERPRISES INC. ALL RIGHTS RESERVED.

CWP-06370-B11-RAINFOREST-HATT.

SCALE: N.T.S. LOCATION: LA

Sheet Rev.
G.5 -+-