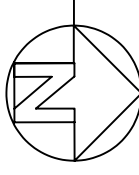


GENERAL FOUNDATION NOTES

1. THE CONCRETE MIX SHALL HAVE A MINIMUM COMPRESSIVE STRENGTH OF 3,000 PSI AT 28 DAYS. CONCRETE MIX SHALL BE IN ACCORDANCE WITH ACI-318.
2. ALL CONVENTIONAL REINFORCING STEEL SHALL MEET ASTM-A615 (GRADE 60).
3. ONE LAYER OF POLYETHYLENE VAPOR BARRIERS SHALL BE PLACED UNDER ALL CONCRETE. VAPOR RETARDER TO BE 1.5 MIL. STRENGTH: ASTM E 1745 CLASS A. PERMEANCE LESS THAN 0.1 PERMS. EQUAL TO STEGO INDUSTRIES STEGO WRAP. ECOSHIELD E 1.5 MIL BY FLO-OR KONBAR 1.5 BY FLATIRON FILMS. PROVIDE APPROPRIATE ACCESSORIES FOR A COMPLETE SYSTEM.
4. ALL REINFORCING STEEL AND MESH SHALL BE SECURELY SUPPORTED TO PREVENT BOTH VERTICAL AND HORIZONTAL MOVEMENT DURING CONCRETE PLACEMENT.
5. THE CONTRACTOR SHALL VERIFY ALL DROPS, OFFSETS, DIMENSIONS AND CONFIGURATIONS. CONTRACTOR MUST BE RESPONSIBLE FOR SAME.
6. GRADE BEAM SIZES MAY VARY BY -5%, +20%.
7. ALL SUB GRADE FILL SHALL BE SELECT GRANULAR MATERIAL, COMPACTED TO 95% STANDARD PROCTOR DENSITY IN A MAXIMUM OF 6" LIFTS.
8. A MINIMUM OF 6" CONCRETE SHALL BE MAINTAINED THROUGHOUT THE SLAB.
9. ALL RUNOFF WATER MUST BE CARRIED AWAY FROM THE SLAB TO PREVENT SATURATION OF THE SUB-BASE.
10. ALL TREES WITHIN CLOSE PROXIMITY SHALL BE REMOVED TO PREVENT THE ROOTS FROM EXTENDING UNDER THE SLAB. PROVIDE AND MAINTAIN IMMEDIATE SITE DRAINAGE BEFORE, DURING, AND AFTER CONSTRUCTION. PROVIDE GRADING, SWELLS, AND SUMP PUMPS AS MAY BE REQUIRED TO IMMEDIATELY DRAIN ALL RAINWATER FROM THE CONSTRUCTION AREA. FOOTING BOTTOMS TO BE OBSERVED AND CONCRETE PLACED AS QUICKLY AS POSSIBLE TO AVOID EXPOSURE OF THE FOOTING BOTTOMS TO WETTING AND DRYING. SURFACE RUNOFF WATER SHOULD BE DRAINED AWAY FROM THE EXCAVATIONS AND NOT BE ALLOWED TO POND PRIOR OR AFTER CONCRETE PLACEMENT. IF IT IS REQUIRED THAT A FOOTING EXCAVATIONS BE LEFT OPEN FOR MORE THAN ONE DAY, THEY SHOULD BE PROTECTED TO REDUCE EVAPORATION OR ENTRY OF MOISTURE.
11. NEW SPREAD CONCRETE FOOTINGS AND CONTINUOUS FOOTINGS, BEARING ON COMPACTED STRUCTURAL FILL AT LEAST 2 FEET BELOW FINISHED GRADE, SHOULD BE DESIGNED FOR MAXIMUM NET ALLOWABLE BEARING PRESSURES OF 1,200 PSF AND 2,000 PSF, RESPECTIVELY, BASED ON DEAD LOADS AND DESIGN LIVE LOADS.
13. FOUNDATION SETTLEMENTS SHOULD NOT EXCEED 1/4 INCH. DIFFERENTIAL SETTLEMENT IS ESTIMATED TO BE LESS THAN 1 INCH.
14. TREAT SOIL BELOW SLAB FOR TERMITES.

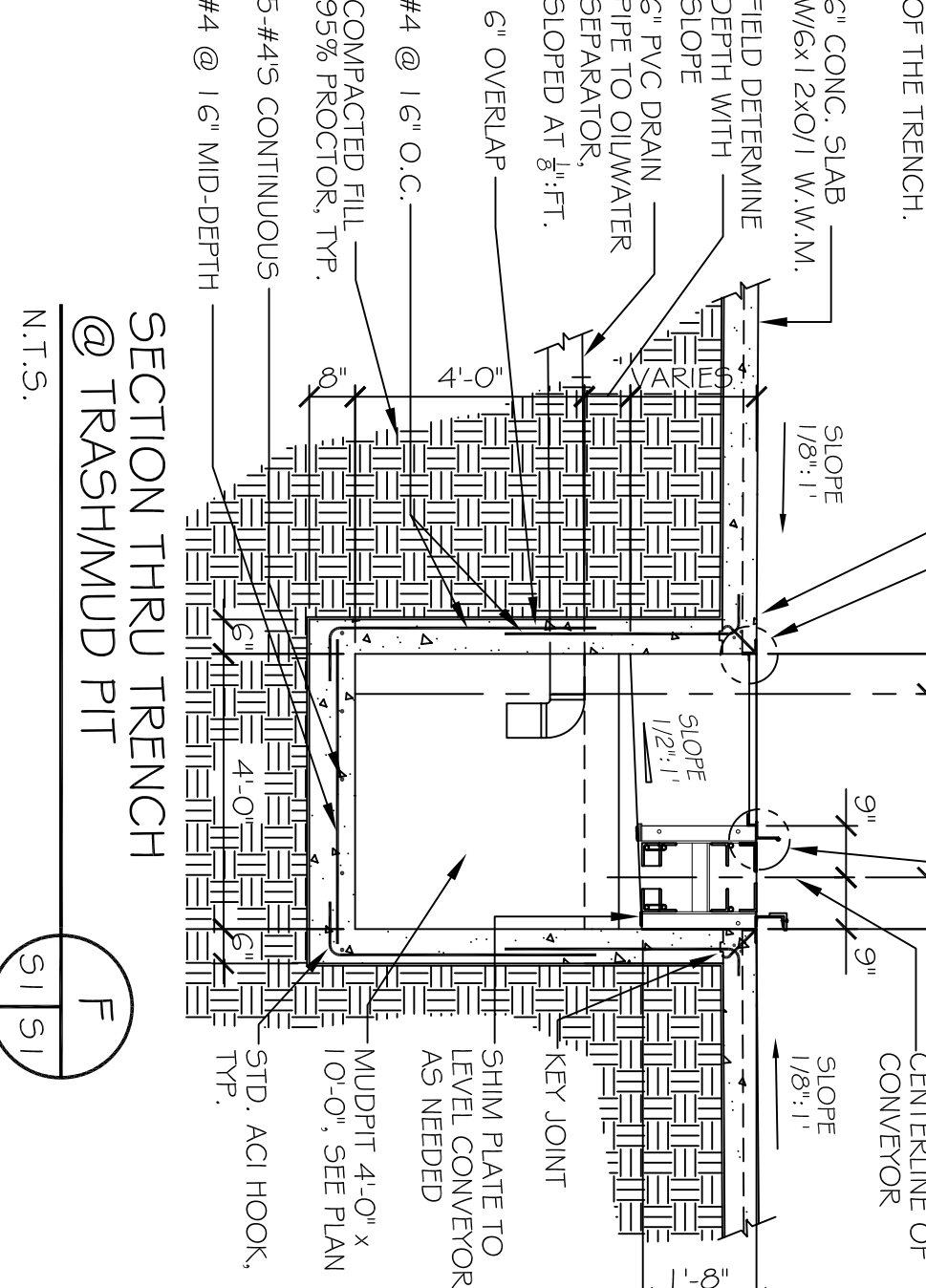
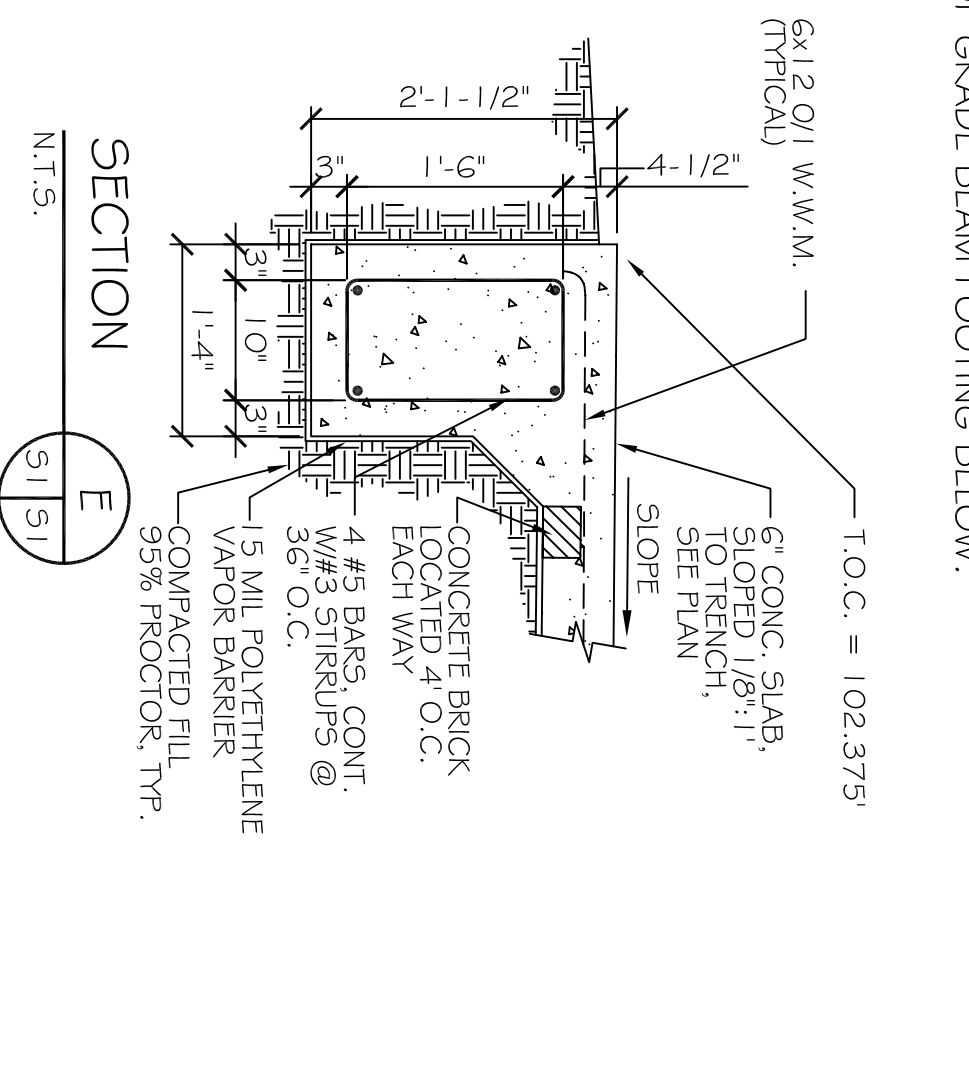
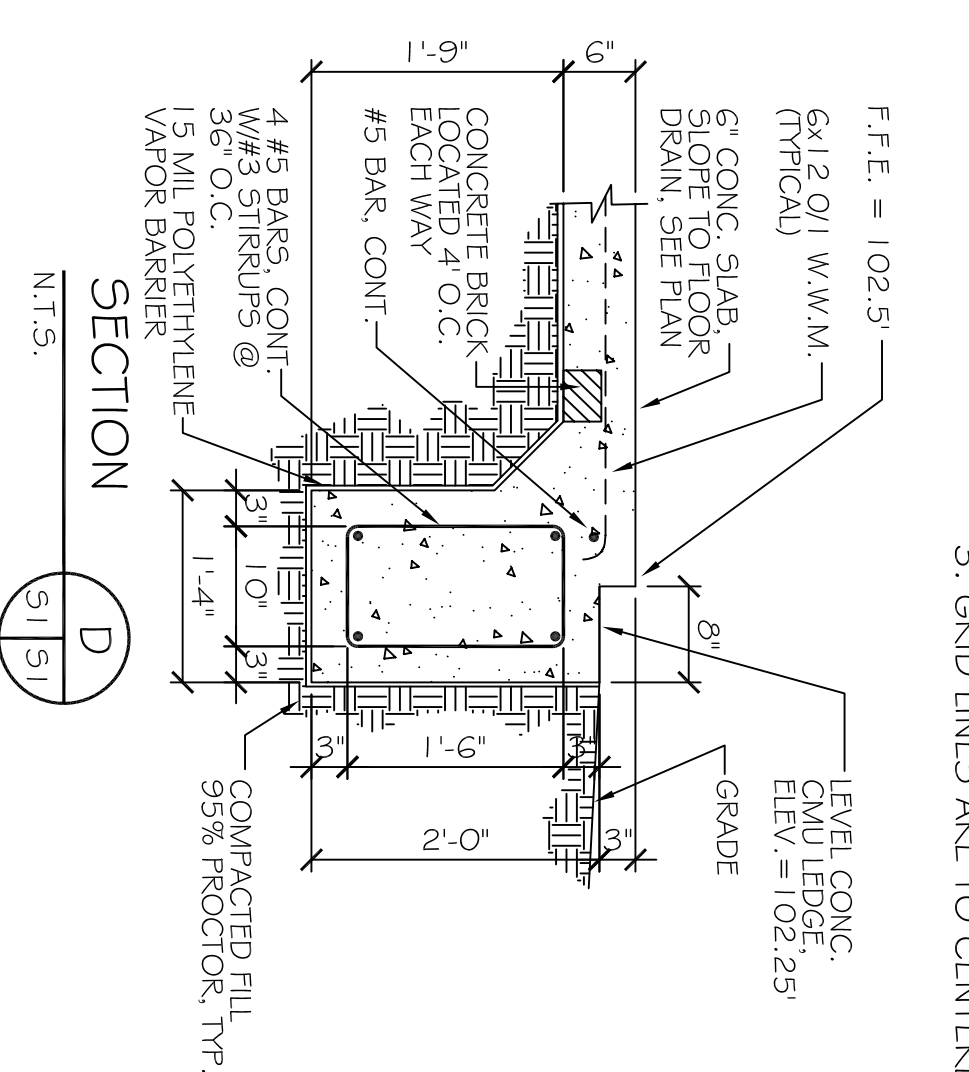
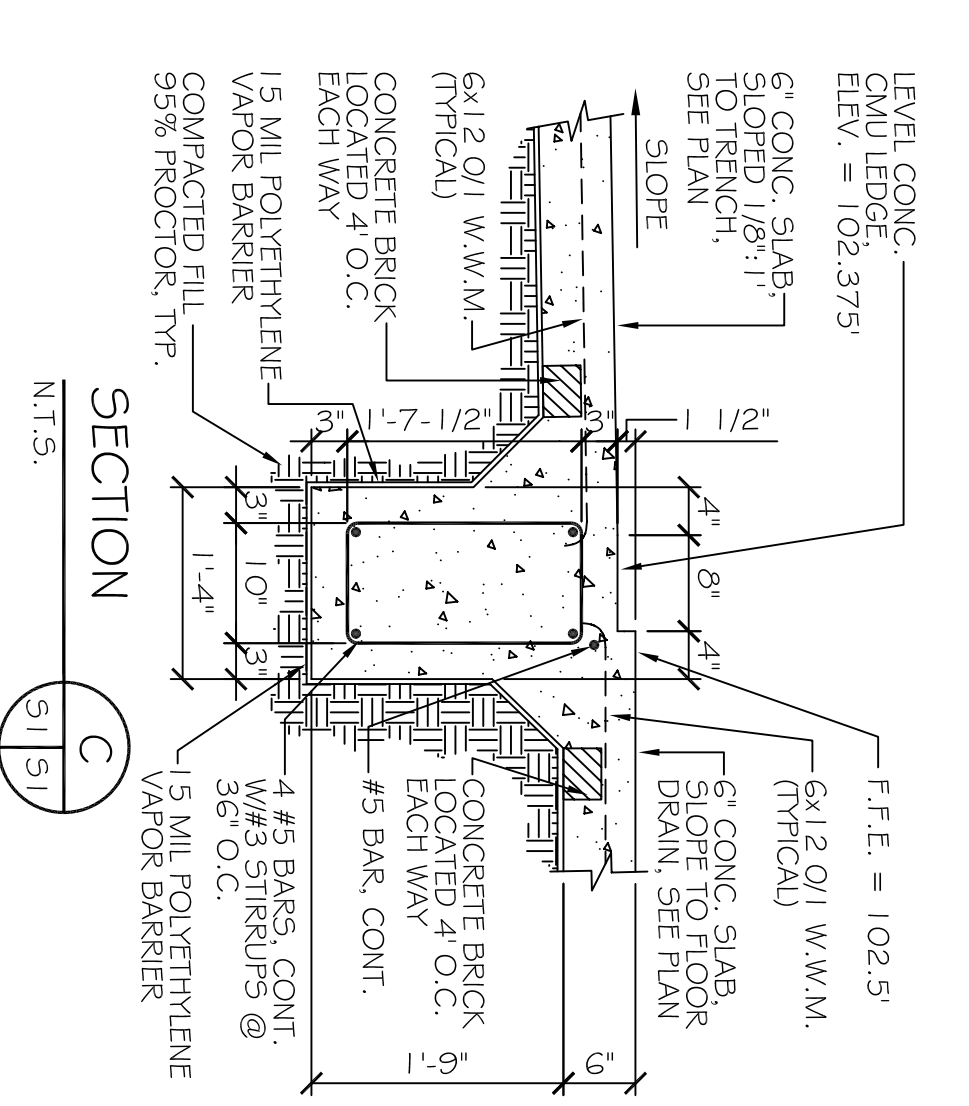
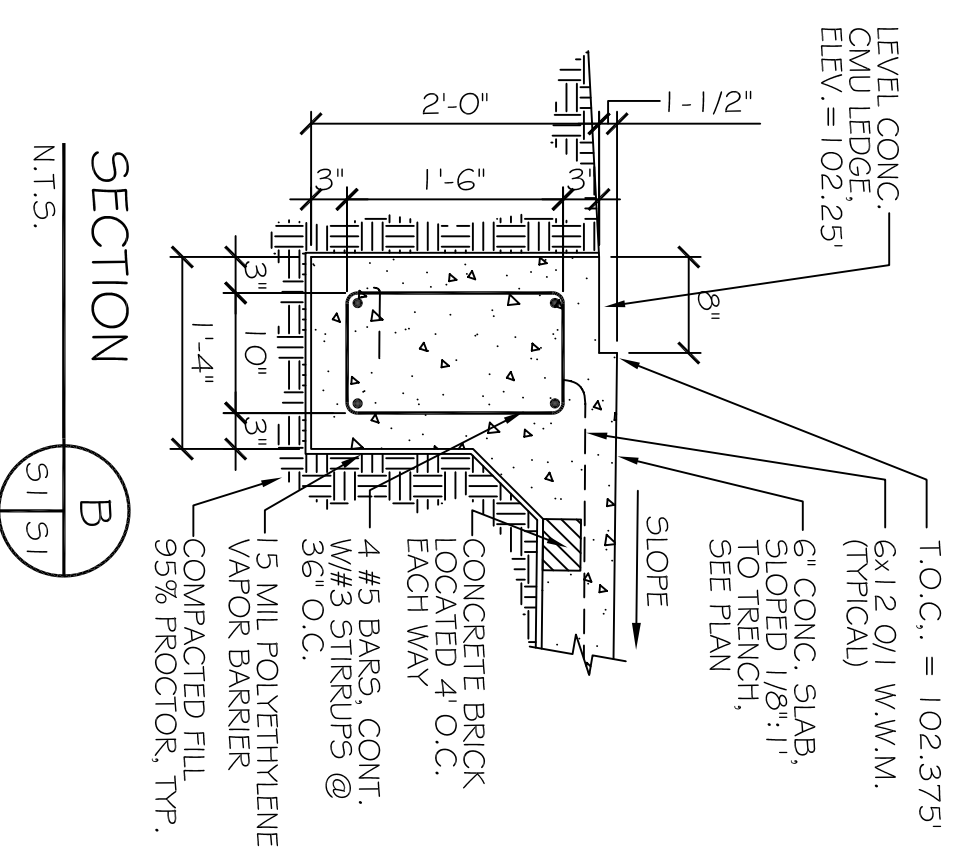
FOUNDATION PLAN



SCALE: 3/16"=1'-0"

SPECIAL FOUNDATION NOTES

1. HATCHED AREA INDICATES CONTINUOUS 8" WIDE "RECESSED" LEVEL TOP OF SLAB FOR CMU WALL BASE. ELEVATION AS SHOWN. BEGIN SLOPE OF CONCRETE SLAB TO TRENCH DRAIN BEYOND THE 8" LEVEL STRIP AS SHOWN ON PLANS.
2. LEVEL LANDING AT MECHANICAL ROOM DOOR. ELEVATION MAX. 1/2" BELOW T.O.S.
3. GRID LINES ARE TO CENTERLINE OF GRADE BEAM FOOTING BELOW.



- NOTES:**
- 1) COORDINATE WITH EQUIPMENT MANUFACTURER/VENDORS DRAWINGS AND PROVIDE \ EQUIPMENT ELECTRICAL, CONDUIT, WIRING, AND PLUMBING REQUIREMENTS PRIOR TO COMMENCING ANY WORK.
 - 2) VERIFY DIMENSIONS FOR ALL PIT, TRENCHES, DRAINS, & ANY OTHER CONCRETE PENETRATIONS WITH EQUIPMENT MANUFACTURER/VENDORS DRAWINGS, AS WELL, PRIOR TO COMMENCING ANY WORK.

CARWASH FOUNDATION PLAN & DETAILS

SHEET No: 08 OF 14

51

REVISIONS		DATE
#	DESCRIPTION	

RAINFOREST CARWASH #2
6485 U.S. HWY. 49

HATTESBURG, MISSISSIPPI 39401

JOB No: 2212 DATE: 10-21-2014

DRAWN BY: JTL CHECKED BY: CKD

DAMMON ENGINEERING, INC.
Architects & Engineers

CHIEF ENGINEER: BRIAN MISTICH, P.E.
554 OLD SPANISH TRAIL
SLIDELL, LA 70458

dammonengineering.com
dammoneng@bellsouth.net
PHONE: 985-649-5832
FAX: 985-641-5950