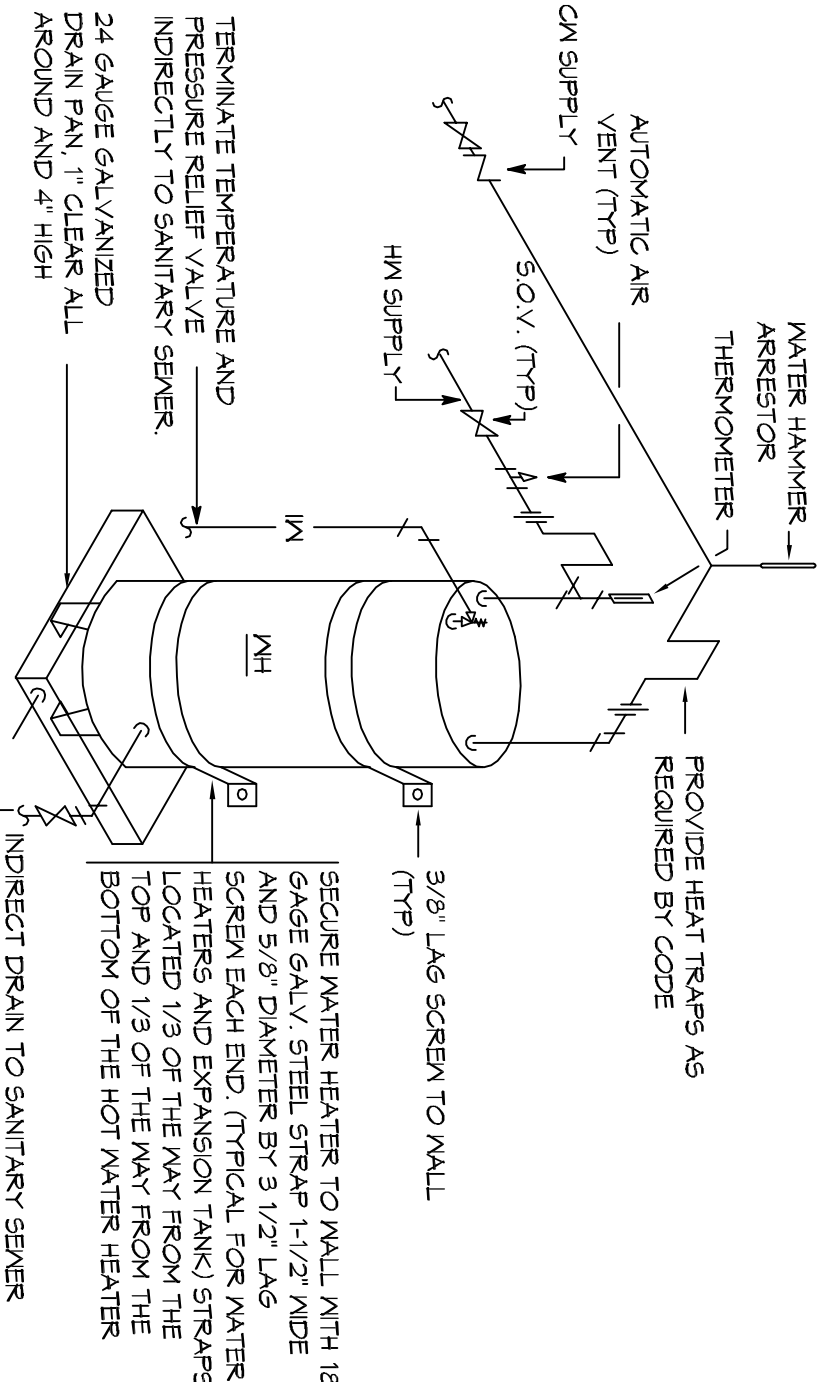
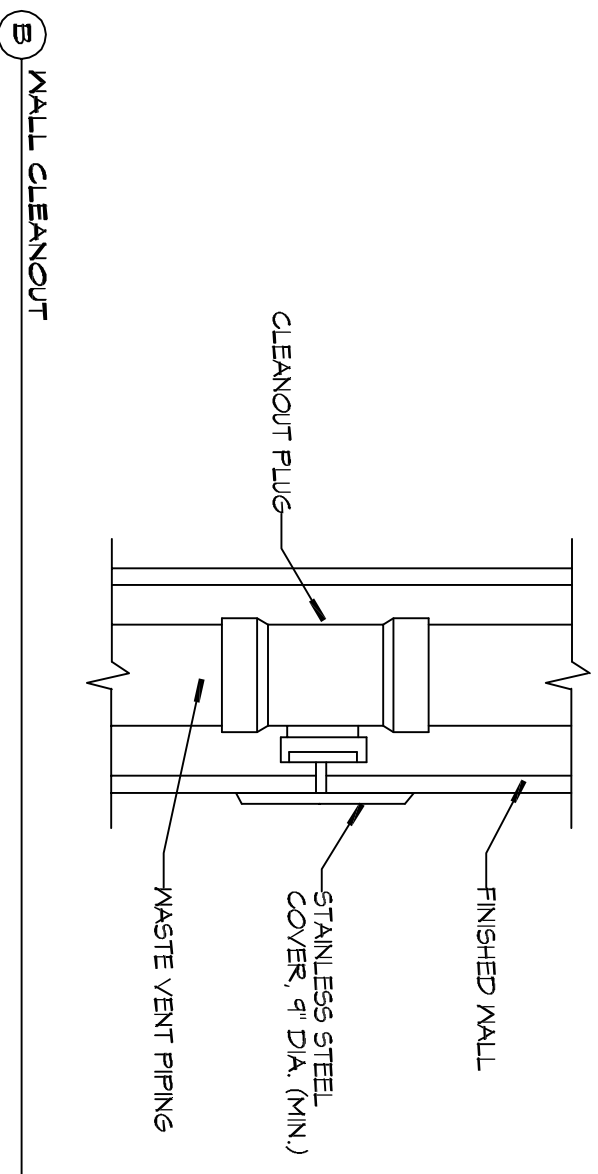


1 PLUMBING PLAN
SCALE: 1/8" = 1'-0"

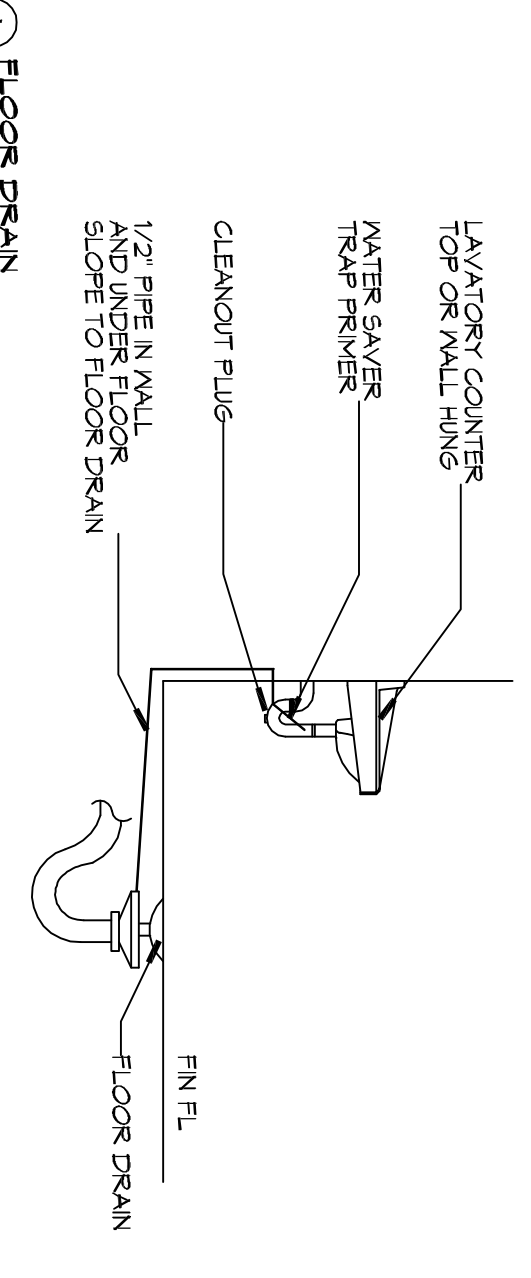


- NOTES:**
1. WATER TIGHT PAN WITH 1" DRAIN SHALL BE PROVIDED UNDER WATER HEATER. DRAIN DIRECTLY OUTSIDE.
 2. WATER HEATER TEMPERATURE TO BE SET AT 140° F. PROVIDE TEMPERING VALVE (BET @ 10°F) FOR ALL HAND SINKS.

4 DETAIL
SCALE: NTS



B WALL CLEANOUT



A FLOOR DRAIN

2 TYPICAL DETAILS
SCALE: NTS

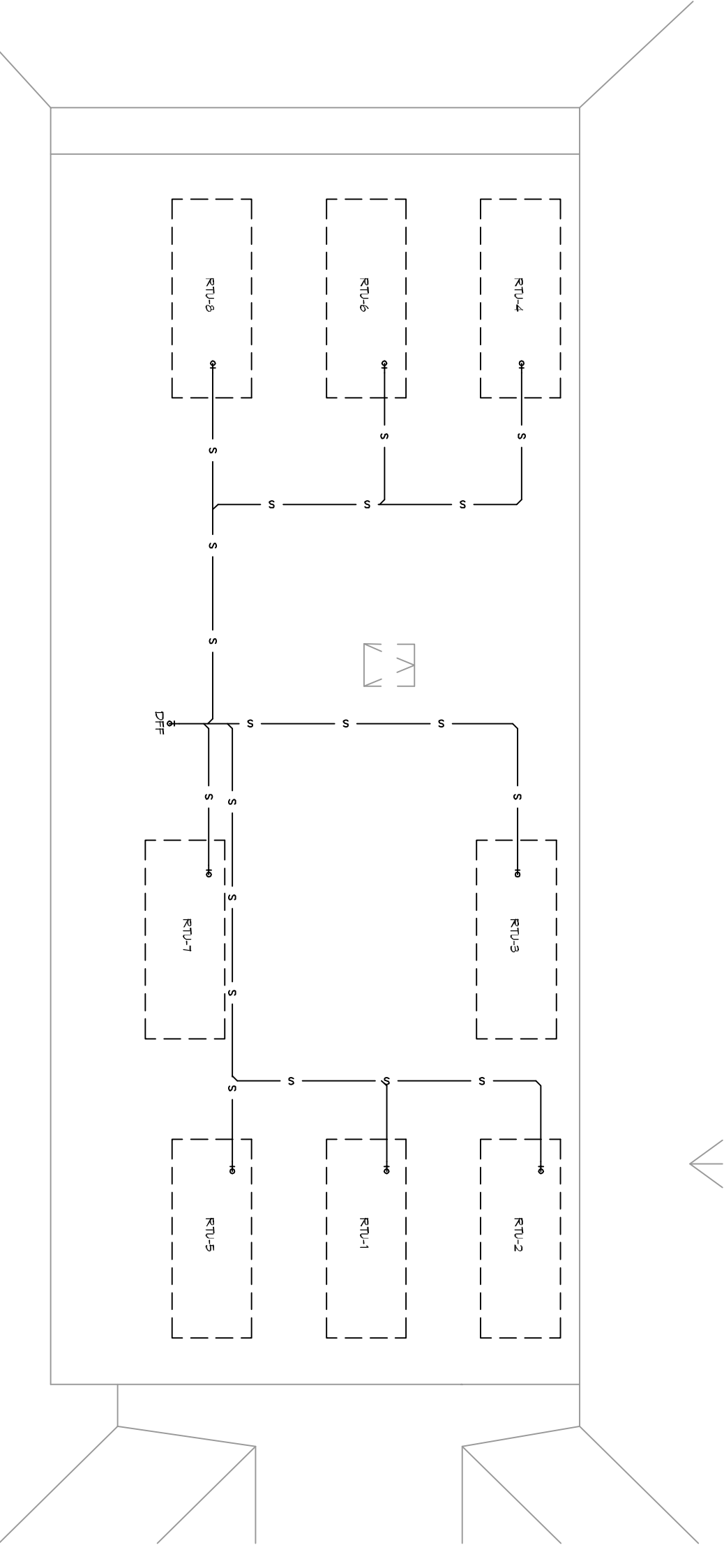
SYMBOL	DESCRIPTION
—S—	SANITARY SEWER
—V—	VENT PIPE
-D-D	FLOOR DRAIN
-C-C	LINE CLEAN OUT
-W-C	WALL CLEAN OUT

GENERAL PLUMBING NOTES

1. SEE VENDOR DRAWINGS.
2. PUMPING LINES SHOWN ARE DRAWN DIAGNOSTIC IN NATURE AND REPAIRING WORK SHOULD BE DONE ON THE CONTRACTOR'S RESPONSIBILITY. FIELD VERIFICATION OF ALL ACTUAL CONDITIONS.
3. PROVIDE ALL LABOR, MATERIAL, TRANSPORTATION, SUPERVISION, CLEANUP SERVICES, AND EQUIPMENT FOR A COMPLETE OPERATING SYSTEM. THE SYSTEM SHALL INCLUDE HOT AND COLD WATER PIPING, VALVES, SUPPORTS WITHOUT ANY RESTRICTIONS TO VOLUME, CUT AND PATCH AS REQUIRED TO INSTALL PIPES.
4. ALL WORK AND MATERIAL SHALL CONFORM STRICTLY TO THE LATEST LOCAL CITY, PARISH, STATE AND NATIONAL GOVERNMENT CODES, MUST MEET THE STATE PLUMBING CODE 2015 REQUIREMENTS.
5. CONTRACTOR IS TO FIELD VERIFY ALL EXISTING UTILITY LOCATIONS, ETC. CONTRACTOR SHALL PAY NECESSARY FEES FOR THE UTILITIES CONNECTIONS.
6. CONTRACTOR IS RESPONSIBLE TO VERIFY THE EXISTING INVERTS AND SET NEW INVERTS OF SEWERAGE AND DRAINAGE PIPES.
7. SEWERAGE LINES 3-INCH AND SMALLER SHALL BE SLOPED 1/4" PER FOOT AND LINES 4-INCH AND LARGER SHALL BE 1/8" PER FOOT.
8. TEST ALL PIPING AT REQUIRED PRESSURE.
9. ALL PIPING SHALL BE CLOSELY COORDINATED WITH STRUCTURAL, MECHANICAL SYSTEMS AND ELECTRICAL SYSTEMS TO INSURE NO TRADES WILL CONFLICT WITH EACH OTHER.
10. DO NOT SCALE DRAWINGS. SEE ARCHITECTURAL DRAWINGS FOR EXACT LOCATIONS OF DOORS, WINDOWS, WALLS, FITURES, ETC.
11. ALL WATER MAINS AND PIPING NOT SHOWN FOR CLARITY. ALL LOCATIONS FIELD VERIFIED.
12. DOMESTIC HOT AND COLD WATER PIPING AND FITTINGS UNDER SLABS SHALL BE ASTM B88 COPPER WATER TUBE, TYPE K, SOFT ANNEALED. NO JOINTS SHALL BE ALLOWED UNDER THE SLAB.
13. DOMESTIC WATER PIPING AND FITTINGS ABOVE THE SLAB SHALL BE ASTM B88 COPPER WATERPIPE, TYPE L. HAND DRAWN WITH COPPERED TYPE (B88) ASTM B92, ALLOY BRASS 90-10 (90-10) SOLDER.
14. SOL. WASTE VENT PIPING AND FITTINGS ABOVE THE SLAB SHALL BE SERVICE MEDIUM (S-M) WITH BELL AND SPOUT END AND ONE END WITH SPOUT END. ALL WASTE VENT PIPING SHALL BE DWV PIPES AND FITTINGS WHERE PERMITTED BY CODE.
15. ALL WATER PIPING AND FITTINGS ABOVE THE FLOOR SHALL BE INSULATED WITH 1/2" THICK FIBERGLASS INSULATION AND JACKET.
16. ALL ELECTRICAL, MECHANICAL AND PLUMBING PENETRATIONS THROUGH FIRE PARTITIONS SHALL BE FIRE CALLED. PENETRATIONS THROUGH RATED CONSTRUCTION SHALL BE SEALED WITH A MATERIAL CAPABLE OF PREVENTING THE PASSAGE OF FLAMES AND HOT GASES WHEN TESTED IN ACCORDANCE WITH ASTM E814.
17. SEE ROOF PLAN FOR PLUMBING ROOF PENETRATIONS. ROUTE VENT PIPES IN ATTIC AS NECESSARY.
18. ALL VENTS THROUGH ROOF (VTR) SHALL BE LOCATED A MINIMUM OF 10'-0" FROM ANY MECHANICAL OR NATURAL AIR INTAKE.

PLUMBING ABBREVIATIONS

WCO	WALL CLEAN OUT	EM	EMERGENCY BITE WASH STATION
F2O	FLOOR CLEAN OUT	FD	STATION
VTR	VENT THROUGH ROOF	UR	URINAL DRAIN
TD	TELEPHONE DRAIN	EDF	ELECTRIC DRINKING FOUNTAIN
MC	MATERIAL CLOSET	RTU	DOWN TO FIRST FLOOR
LWH	LAVATORY IN COUNTER	TRP	TO ROOF TRIP UNIT
LVA	LAVATORY IN COUNTER - ACCESSIBLE	DFP	DOWN TO FIRST FLOOR
SNK	SINK	WF	WATER FOUNTAIN
			WATER SCHEDULE



3 PLUMBING ROOF PIT PLAN
SCALE: NTS

DAMMON ENGINEERING, INC.
LOUISIANA & MISSISSIPPI

Chief Engineer: Brian Misch, PE
554 Old Spanish Trail
Stidell, LA 70458
www.dammonengineering.com
info@dammonengineering.com
PH: 985.649.5832

REVISIONS	DATE
# DESCRIPTION	

JAYMON Z
2001 GAUSE BLVD E
SLIDELL, LA 70461

JOB No.: 2360 DATE: 09-19-2018
DRAWN BY: [Signature] CHECKED BY: [Signature]

DRAWING NUMBER:
P101

SHEET TITLE:
PLUMBING PLAN AND PLUMBING RISER DIAGRAM

SHEET NO.: 11 OF 17