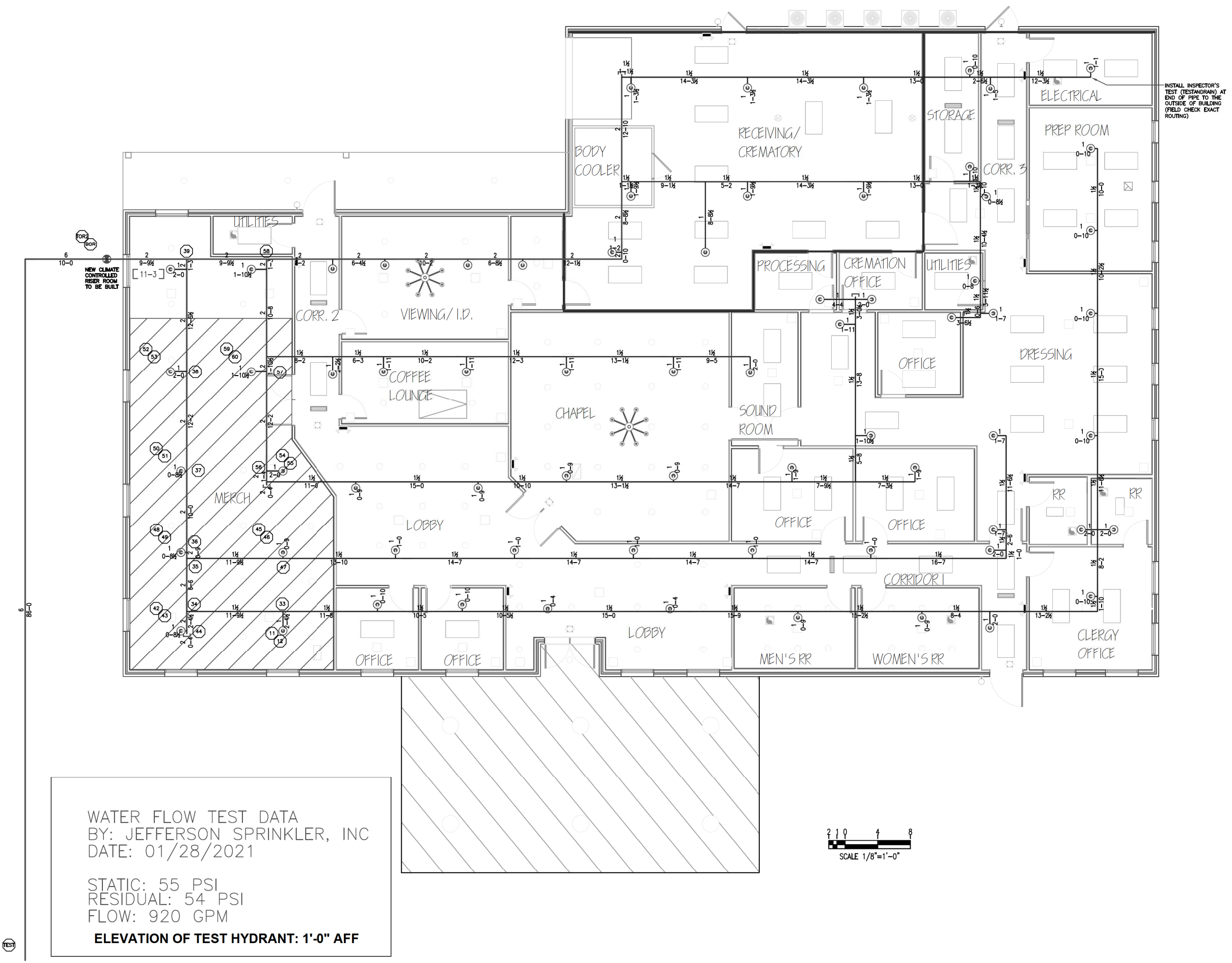


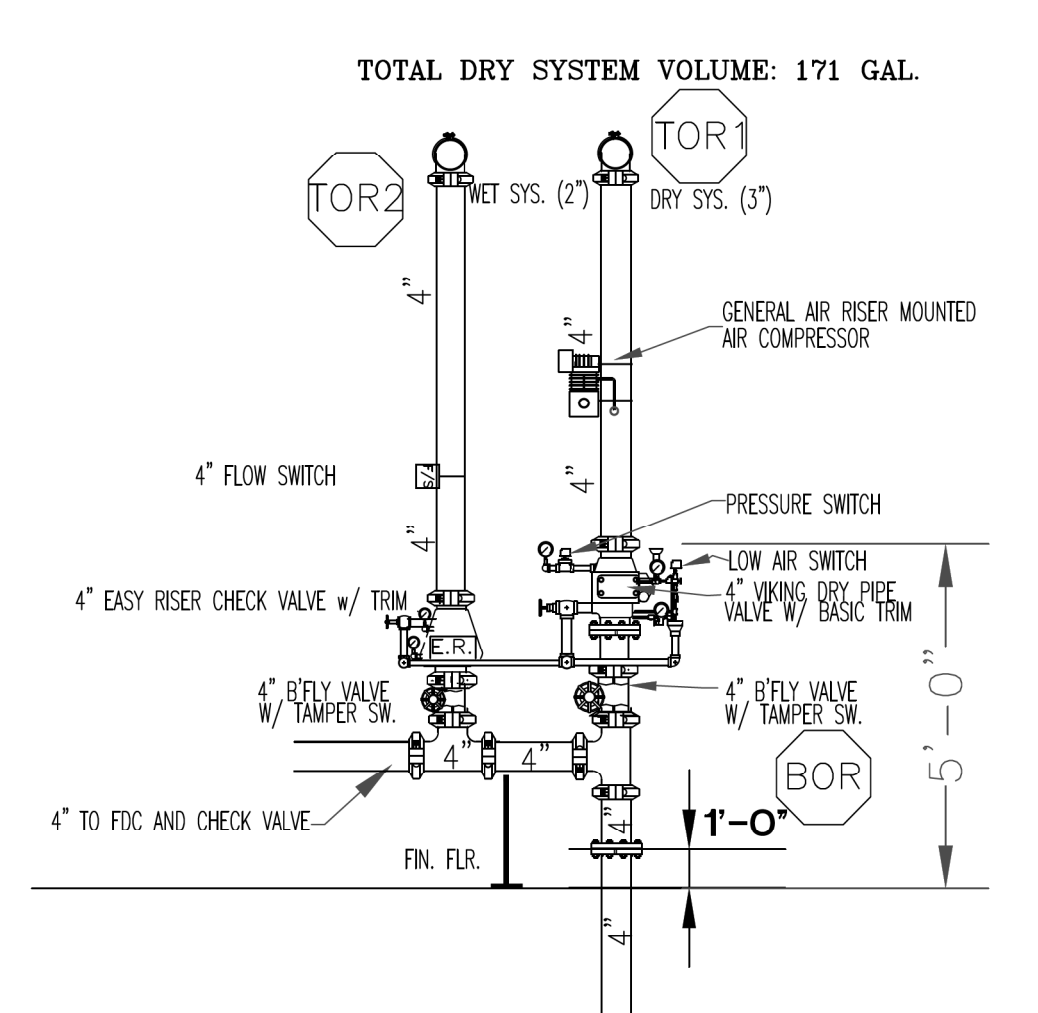
CALC. 2 - CROWN ROOF GROUP 2 (RECEIVED)
 REPORT: 0.25 GPM/FT AREA 1300 SF
 MAX. ELEV. 17'-0" REDUCION 405
 SLOPE 0.25 IN/10' INCREASE 35
 AREA REQ: 900 SF AREA CALC: 900 SF
 REQUIRES: 321 GPM @ 40 PSI @ 800'



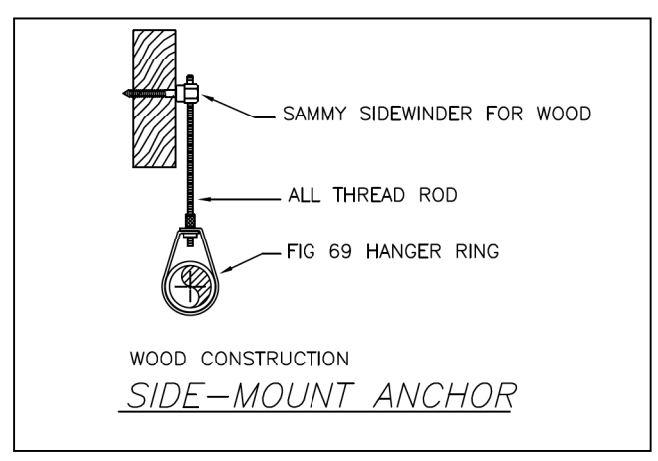
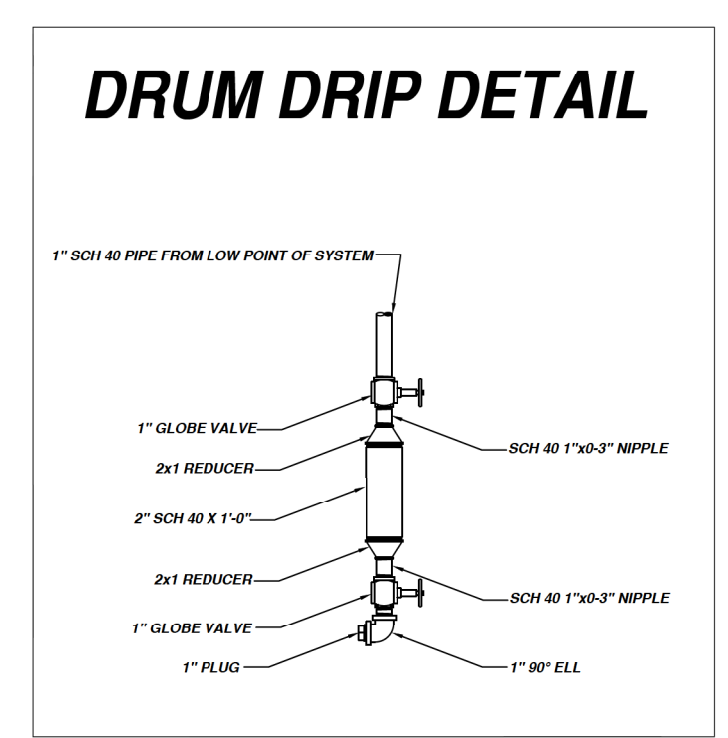
WATER FLOW TEST DATA
 BY: JEFFERSON SPRINKLER, INC
 DATE: 01/28/2021
 STATIC: 55 PSI
 RESIDUAL: 54 PSI
 FLOW: 920 GPM
 ELEVATION OF TEST HYDRANT: 1'-0" AFF

DOWNMAN RD

MAIN FLOOR FIRE SPRINKLER PIPING PLAN



SYSTEM RISER DETAIL
 NOT TO SCALE

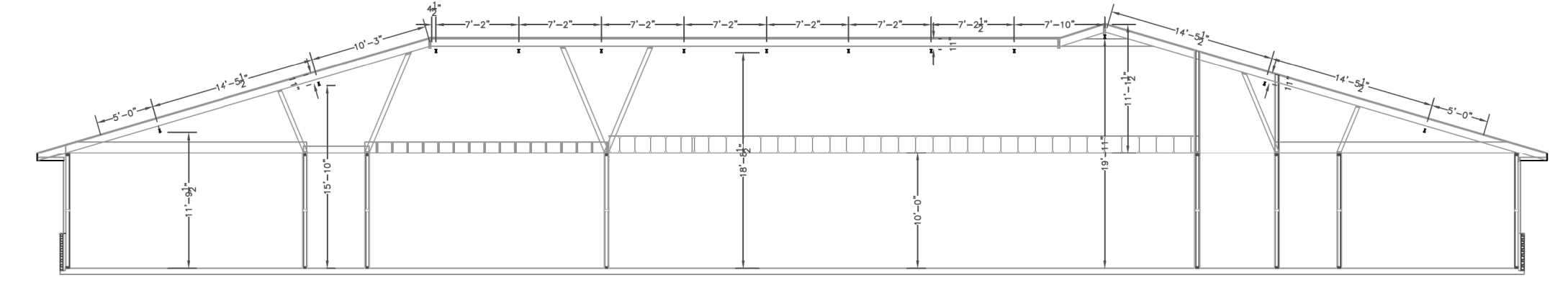


DAMMON ENGINEERING, INC

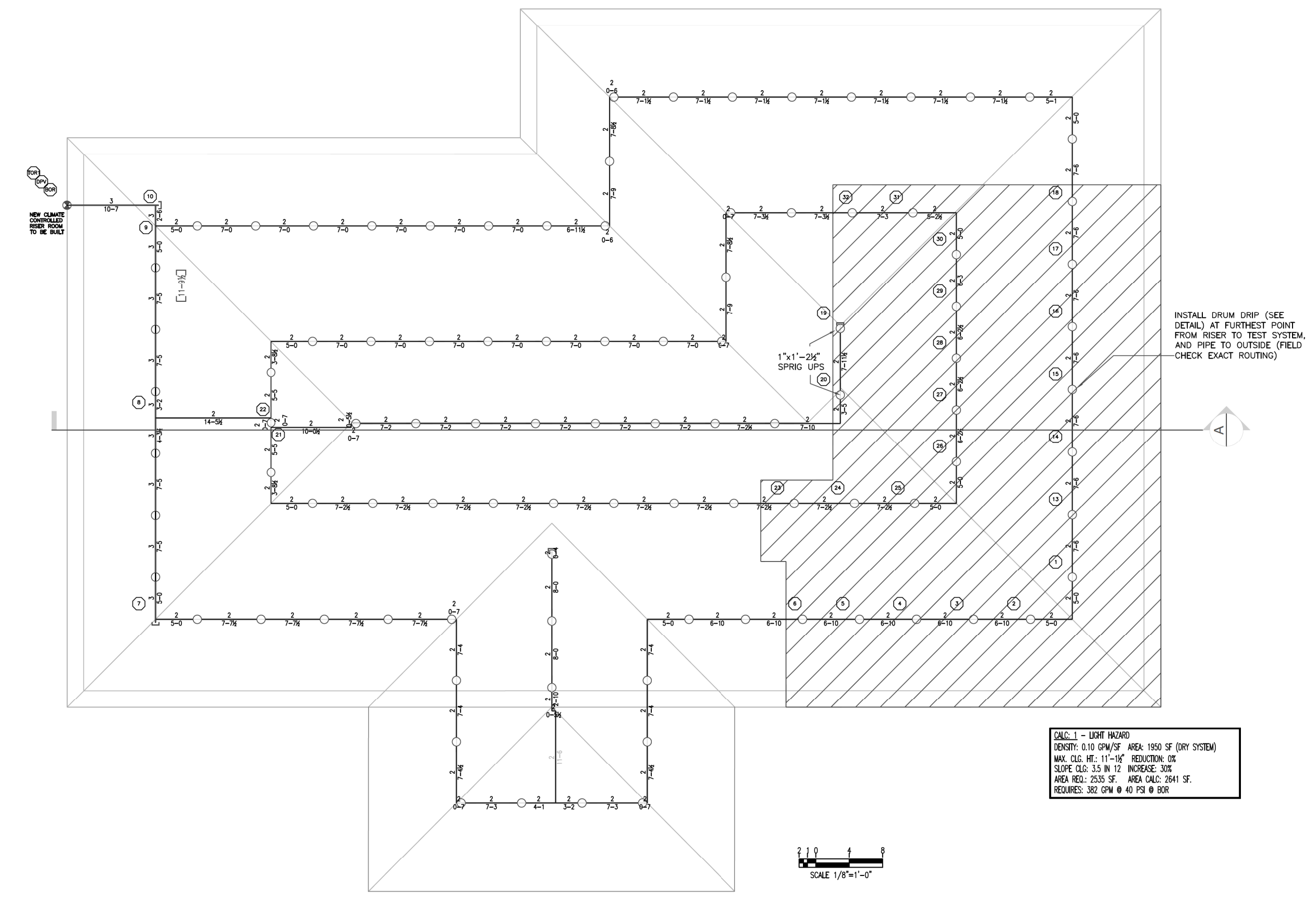
Date: 06-16-2021
 Reviewed: x
 ReSubmitt: x
 Rejected:
 Other:

Correction or comments made on the shop drawings during this review do not relieve the contractor from compliance with requirements of the drawings and specifications. This check is only for review of the general conformance with the design concept of the project and general compliance with the information given in the contract documents. This contractor is responsible for: confirming and correlating all quantities and dimensions; selecting fabrication processes and techniques of construction; coordinating his or her work with that of all other trades and performing all in a safe and satisfactory manner.

Submittal item:
 Comments:



SECTION A



ATTIC FIRE SPRINKLER PIPING PLAN

CALC. 1 - LOFT BRIDGE
 REPORT: 0.15 GPM/FT AREA 1800 SF (DRY SYSTEM)
 MAX. ELEV. 17'-0" REDUCION 125
 SLOPE 0.15 IN/10' INCREASE 30
 AREA REQ: 2335 SF AREA CALC: 2541 SF
 REQUIRES: 302 GPM @ 40 PSI @ 800'

JEFFERSON SPRINKLER, INC.
 "Fire Protection Specialist"
 1903 Hancock St. Gretna, La. 70053
 Phone 504-393-7699 Fax 504-387-0216

- General Notes
- All Pipe Locations are to be Field Measured Prior to Fabrication and Installation by Sprinkler Contractor.
 - All Dimensions Shown are Center to Center.
 - High Temperature Heads are to be Field Located Where Required.
 - All Pipes and Hangers are to be Installed per NFPA #13.
 - Hangers are to be U.L. Listed and F.M. Approved.

Symbol	Description	Number of Sprinklers	
		Total This Sheet	Total This Job
○	Hydraulic Reference Points		
[+]	Elev. Below Top of Steel	68 WK3021 QR PEND K5.6 1/2" NPT 175F BRASS (SEMI RECESSED)	
[+]	Elev. Above Finished Floor	96 WK3001 QR UPRIGHT K5.6 1/2" NPT 200F BRASS	
+ (00-20-0)	Elev. of Top of Steel		
⊙	Ceiling Height		
○	Denotes Hanger Location		
○	Rise up or down		

Drawing Title		
FIRE SPRINKLER PLANS		
Contract No.	16228	Date:
Drawn By	B. MICKLER	
Scale	AS NOTED	
Date	04/22/2021	
Approval By	LASPM	

Job:	
BOYD FUNERAL HOME	
4800 DOWNMAN RD	
NEW ORLEANS, LA 70126	
Contractor:	
K B KAUFMANN & CO INC	
3173 E TERRACE AVE	
SLIDELL, LA 70458	

SHEET 1 OF 1