

**TABLE S107.7 - UPLIFT CONNECTIONS - 143 MPH WINDS EXP "C"**  
NFCM 2015 TABLE 9.2

CONNECTION	FRAMING SPACING (INCHES)	ROOF SPAN (FEET)	UPLIFT	LATERAL	SHEAR	NUMBER OF 8d COMMON NAILS OR 10d BOX NAILS IN EACH END OF 1-1/4"x20 GAGE STRAP
ROOF ASSEMBLY TO WALL ASSEMBLY	16" OC	16	407	292	152R	4
WALL ASSEMBLY TO FOUNDATION	16" OC	16	224	219	436	4

**TABLE S107.8 - SILL OR BOTTOM PLATE TO FOUNDATION CONNECTIONS RESISTING UPLIFT LOADS - 143 MPH WIND EXP "C"**  
NFCM 2015 TABLE 9.2C

BOTTOM PLATE TO FOUNDATION ANCHOR BOLT CONNECTION RESISTING	FOUNDATION SUPPORTING	MAXIMUM ANCHOR BOLT SPACING (INCHES)
UPLIFT LOADS	1 - 3 STORIES	8" END ZONES 25 INCHES ON CENTER 30 INCHES ON CENTER

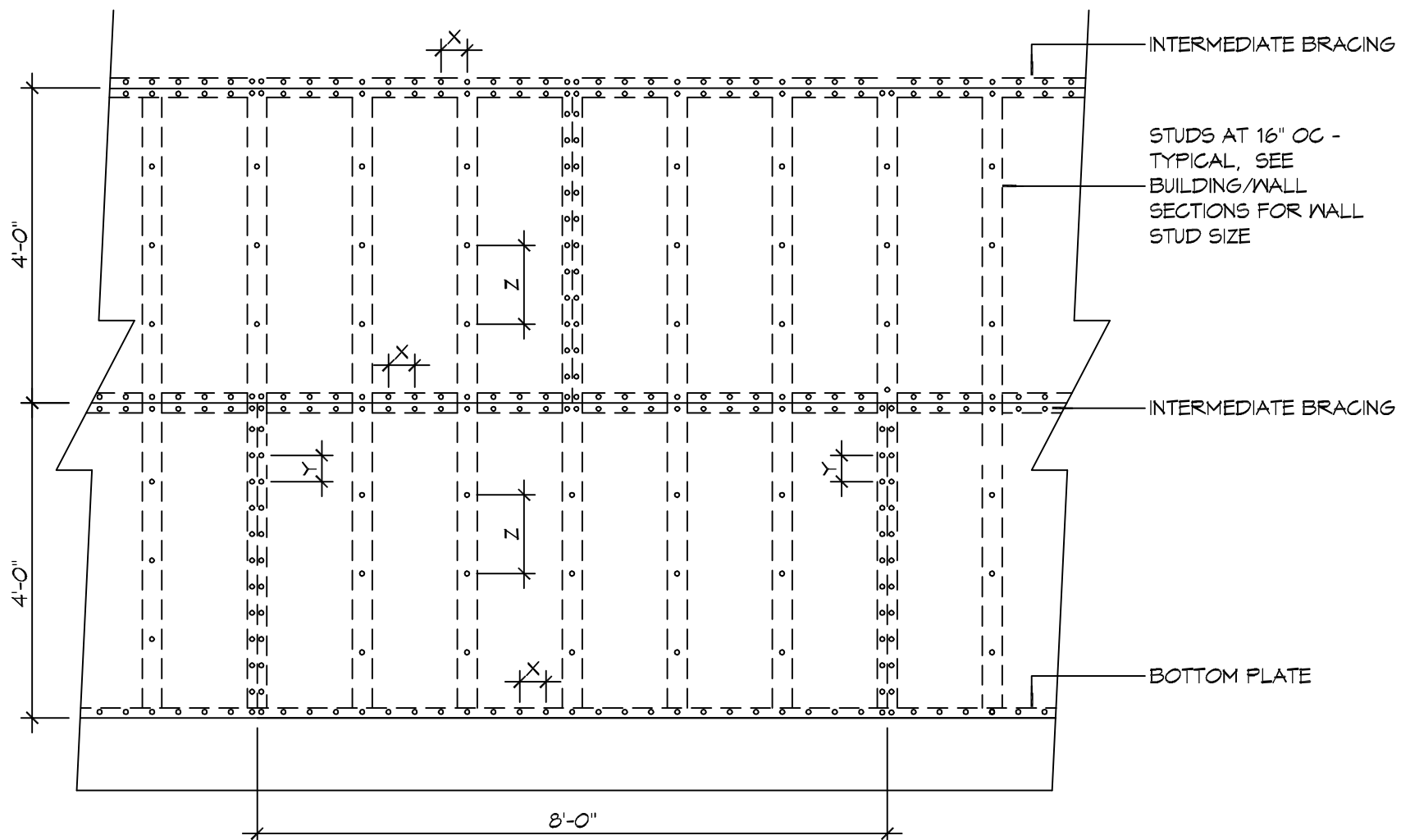
NOTE: A MINIMUM OF ONE ANCHOR BOLT SHALL BE PROVIDED WITHIN 6 TO 12 INCHES OF EACH END OF EACH PLATE

**TABLE S107.9 - SILL OR BOTTOM PLATE TO FOUNDATION CONNECTIONS RESISTING SHEAR LOADS - 143 MPH WIND EXP "C"**  
NFCM 2015 TABLE 9.2B

BOTTOM PLATE TO FOUNDATION ANCHOR BOLT CONNECTION RESISTING	FOUNDATION SUPPORTING	MAXIMUM ANCHOR BOLT SPACING (INCHES)
UPLIFT LOADS	4 STORY	5/8" Ø ANCHOR BOLTS 48 INCHES ON CENTER W/3X3X1/4" WASHER

**TABLE S107.10 - FULL HEIGHT STUD REQUIREMENT FOR HEADERS OR WINDOW SILL PLATES IN EXTERIOR WALLS EXPOSURE "C"**  
NFCM 2015 TABLE 9.23C

HEADER SPAN (FEET)	WALL SPACING (INCHES)		
	12" O.C.	16" O.C.	24" O.C.
2	1	1	1
4	2	2	1
6	3	3	2
8	4	3	2

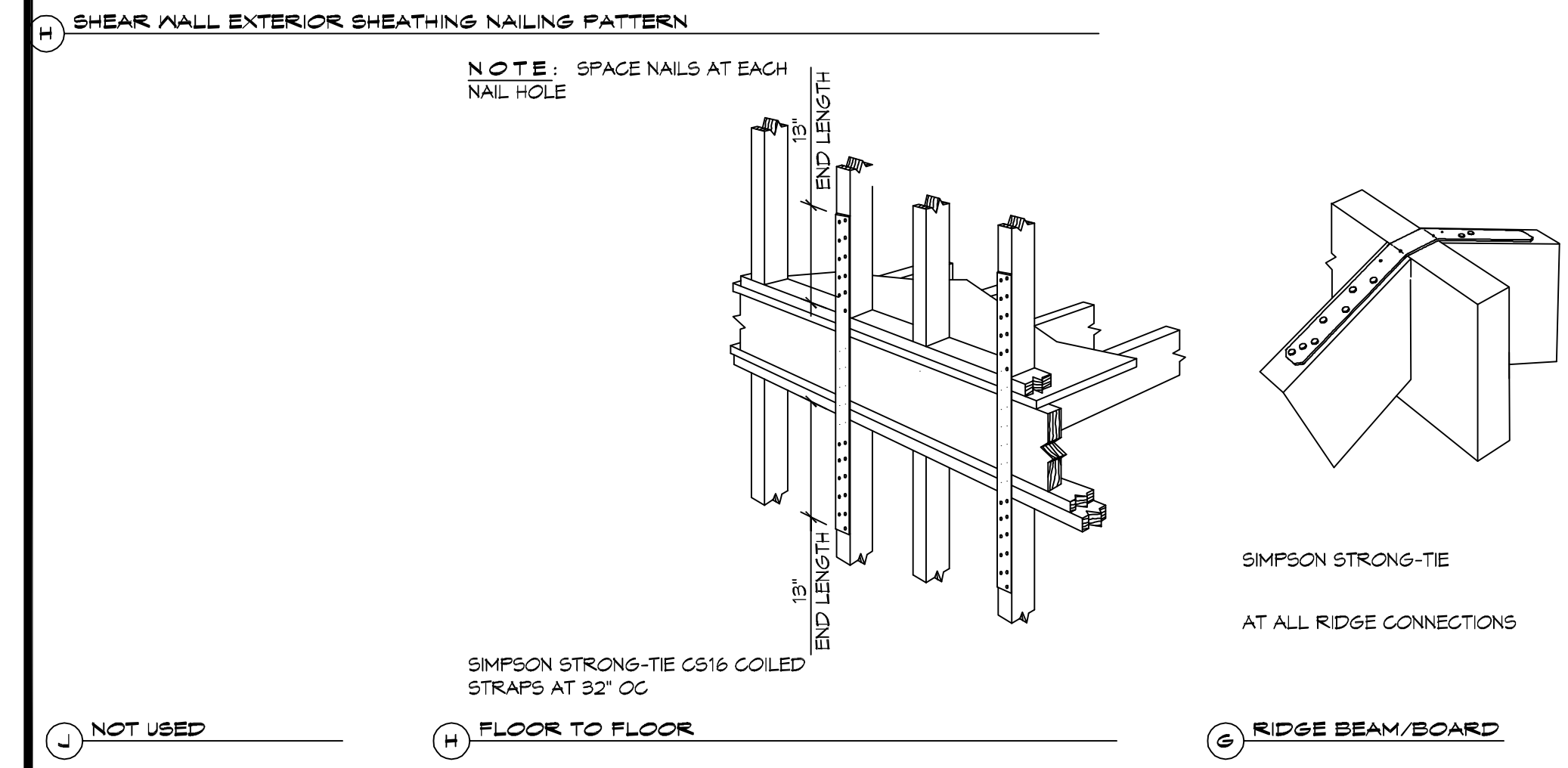


**NAIL SPACING**  
X = 4" OC  
Y = 4" OC  
Z = 12" OC

X = PLATE EDGE NAIL SPACING  
Y = LONG EDGE NAIL SPACING  
Z = FIELD NAIL SPACING

**INTERIOR SHEATHING**  
1/2" PLYWOOD EACH FACE STAGGERED 48" OC. W/8d NAILS @ 4" O.C. FASTENING @ PANEL EDGES @ 12" O.C. FASTENING @ INTERMEDIATE MEMBERS.

**EXTERIOR SHEATHING**  
5/8" DENSGLASS SHEATHING EXTERIOR FACE STAGGERED 48" O.C. FASTENING @ PANEL EDGES @ 10x1" TEK SCREWS @ 12" O.C. FASTENING @ INTERMEDIATE MEMBERS



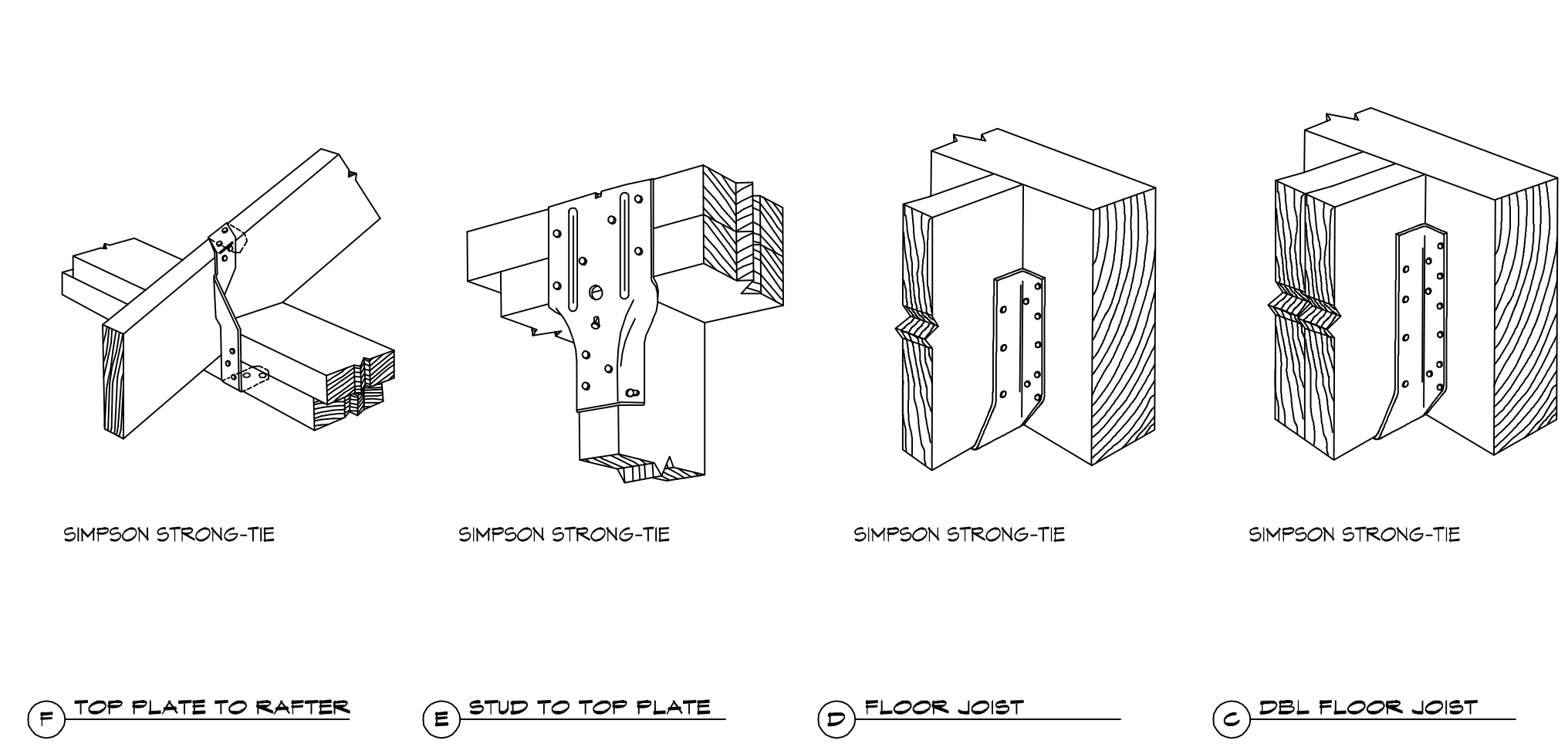
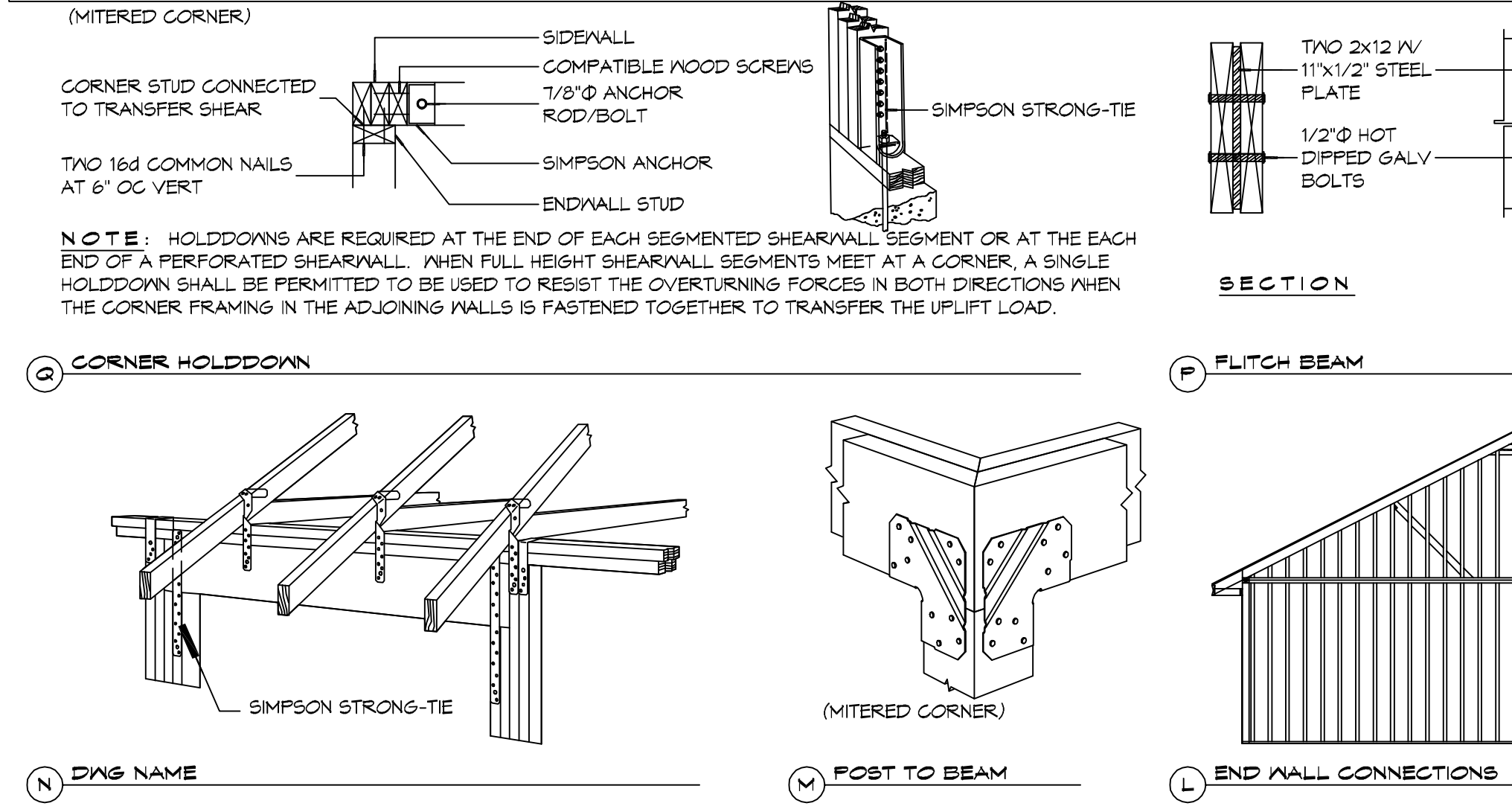
**TYPICAL CONNECTION DETAILS**  
SCALE: NTS

**TABLE S107.5 - JACK STUD REQ - INT LOADBEARING WALLS**

HEADER SUPPORTING	HEADER SPAN (FT)	ROOF SPAN (FEET)											
		12 FEET				24 FEET				36 FEET			
		3"	4.5"	5"	6.5"	3"	4.5"	5"	6.5"	3"	4.5"	5"	6"
ONE FLOOR ONLY (CENTER BEARING)	2	1	1	1	1	1	1	1	1	1	1	1	1
	4	1	1	1	1	1	1	1	1	1	1	1	1
	6	1	1	1	1	1	1	1	1	2	1	1	1
	8	1	1	1	1	2	1	1	1	2	2	2	1
	10	1	1	1	1	2	2	1	1	3	2	2	2
	12	1	1	1	1	2	2	2	1	3	2	2	2
	14	2	1	1	1	3	2	2	2	4	3	3	2
	16	2	2	1	1	3	2	2	2	4	3	3	2
	2	1	1	1	1	1	1	1	1	2	1	1	1
	4	1	1	1	1	2	1	1	1	3	2	2	2
	6	2	1	1	1	3	2	2	2	4	3	2	2
	8	2	2	1	1	3	2	2	2	5	3	3	3
	10	2	2	2	1	4	3	3	2	6	4	4	3
	12	3	2	2	2	5	3	3	3	7	5	4	4
	14	3	2	2	2	6	4	4	3	8	5	5	4
	16	4	3	2	2	6	4	4	3	9	6	6	5

**TABLE S107.6 - JACK STUD REQ - EXTERIOR LOADBEARING WALLS**  
NFCM 2015 TABLE 9.22F

	ROOF LIVE LOAD 20 PSF				ROOF LIVE LOAD 30 PSF			
	3"	4.5"	5"	6.5"	3"	4.5"	5"	6.5"
ROOF AND CEILING	2	1	1	1	1	1	1	1
	4	1	1	1	1	1	1	1
	6	2	1	1	1	2	1	1
	8	2	2	2	1	2	2	1
	10	3	2	2	2	3	2	2
	12	3	2	2	2	3	2	2
	14	4	3	2	2	4	3	2
	16	4	3	3	2	4	3	2
ROOF, CEILING, AND ONE CENTER BEARING FLOOR	2	1	1	1	1	1	1	1
	4	2	1	1	1	2	1	1
	6	2	2	2	1	3	2	2
	8	3	2	2	2	3	2	2
	10	4	3	2	2	4	3	2
	12	4	3	3	2	5	3	3
	14	5	4	3	3	5	4	3
	16	6	4	4	3	6	4	3



**TYPICAL CONNECTION DETAILS**  
SCALE: NTS

**TABLE S107.3 - NAILING SCHEDULE**  
NFCM 2015 TABLE 3.1

DESCRIPTION	NUMBER OF COMMON NAILS	NUMBER OF BOX NAILS	SPACING
HEADER TO HEADER (FACE NAILED)	16d	16d	16" OC EDGES

**TABLE S107.4 - BUILDING ENVELOPE REQUIREMENTS**

ROOFS	OPAQUE ELEMENTS	INSULATION MIN. R-VALUE
METAL BUILDING	INSULATION ENTIRELY ABOVE DECK	U-0.048 R-20.0 C.I.
ATTIC AND OTHER	METAL BUILDING	U-0.065 R-19
MASS	STEEL-FRAMED	U-0.027 R-38
METAL BUILDING	WOOD-FRAMED AND OTHER	U-0.151 R-5.7 C.I.
STEEL-FRAMED	MASS	U-0.113 R-13.0
WOOD-FRAMED AND OTHER	STEEL JOIST	U-0.124 R-13.0
MASS	WOOD FRAMED AND OTHER	U-0.089 R-13.0
STEEL JOIST	UN-HEATED	U-0.107 R6-3 C.I.
WOOD FRAMED AND OTHER	SWINGING	U-0.052 R-19.0
UN-HEATED	NON-SWINGING	U-0.051 R-19.0
SWINGING		F-0.730 NR
NON-SWINGING		U-0.700 NR
		U-1.450 NR

**ROOF UNDERLAYMENT NOTES**

- FOR ROOF SLOPES FROM TWO UNITS VERTICAL IN 12 UNITS HORIZONTAL (17-PERCENT SLOPE), UP TO FOUR UNITS VERTICAL IN 12 UNITS HORIZONTAL (33-PERCENT SLOPE), UNDERLAYMENT SHALL BE TWO LAYERS APPLIED IN THE FOLLOWING MANNER:
  - APPLY A 14 INCH STRIP OF UNDERLAYMENT FELT PARALLEL WITH AND STARTING AT THE EAVES, FASTENED SUFFICIENTLY TO HOLD IN PLACE.
  - STARTING AT THE EAVE, APPLY 36 INCH WIDE SHEETS OF UNDERLAYMENT, OVERLAPPING SUCCESSIVE SHEETS 14 INCHES, AND FASTENED SUFFICIENTLY TO HOLD IN PLACE.
- FOR ROOF SLOPES OF FOUR UNITS VERTICAL IN 12 UNITS HORIZONTAL (33-PERCENT SLOPE) OR GREATER, UNDERLAYMENT SHALL BE ONE LAYER APPLIED IN THE FOLLOWING MANNER:
  - UNDERLAYMENT SHALL BE APPLIED SINGLE FASHION, PARALLEL TO AND STARTING FROM THE EAVE AND LAPPED 2 INCHES, FASTENED SUFFICIENTLY TO HOLD IN PLACE. END LAPS SHALL BE OFFSET BY 6 FEET.

**ROOF APPLICATION & FASTENING NOTES**

- INSTALL ROOF PER MANUFACTURERS RECOMMENDATIONS FOR 130MPH WIND SPEED.

**GENERAL UPLIFT CONNECTION NOTES**

**ROOF ASSEMBLY TO WALL ASSEMBLY:**  
UPLIFT CONNECTIONS SHALL BE FROM RAFTER OR TRUSS TO WALL STUD. WHEN RAFTERS OR TRUSSES ARE NOT LOCATED DIRECTLY ABOVE STUDS, RAFTERS SHALL BE ATTACHED TO THE WALL PLATE AND THE WALL TOP PLATE SHALL BE ATTACHED TO THE WALL STUD WITH UPLIFT CONNECTIONS.

**WALL ASSEMBLY TO WALL ASSEMBLY:**  
STORY TO STORY UPLIFT CONNECTIONS FROM UPPER STORY WALL STUD TO LOWER STORY WALL STUD. WHEN UPPER STORY WALL STUDS ARE NOT LOCATED DIRECTLY ABOVE LOWER WALL STUDS, THE STUDS SHALL BE ATTACHED TO A COMMON MEMBER IN THE FLOOR ASSEMBLY BY UPLIFT CONNECTIONS.

**WALL ASSEMBLY TO FOUNDATION:**  
FIRST FLOOR WALL STUDS SHALL BE CONNECTED TO THE FOUNDATION, SILL PLATE, OR BOTTOM PLATE. A MINIMUM OF A 1-1/4" x 20 GA. ASTM A653 GRADE 33 STEEL STRAP SHALL BE NAILED TO THE WALL STUDS AND HAVE A MINIMUM EMBEDMENT OF 1 INCHES IN CONCRETE FOUNDATIONS AND SLABS-ON-GRADE, 15 INCHES IN MASONRY BLOCK FOUNDATIONS, OR BE LAPPED UNDER THE BOTTOM PLATE. 3 INCH SQUARE WASHERS SHALL BE USED ON THE ANCHOR BOLTS AND ANCHOR BOLT SPACINGS SHALL NOT EXCEED THE REQUIREMENTS. STEEL STRAPS EMBEDDED IN OR IN CONTACT WITH SLAB-ON-GRADE OR MASONRY BLOCK FOUNDATIONS SHALL BE HOT-DIPPED GALV. AFTER FABRICATION, OR MANUF. FROM G185 OR Z450 GALV. STL.

**TABLE S107.1 - ROOF SHEATHING OR CLADDING REQUIREMENT - WIND LOAD EXP "C"**

SHEATHING LOCATION	RAFTER / TRUSS SPACING	MAX. NAIL SPACING FOR 8d COMMON NAILS OR 10d BOX NAILS (INCHES OC)	
		E	F
INTERIOR ZONE	12" OC	6	12
	16" OC	6	12
	24" OC	6	6
PERIMETER EDGE ZONE	12" OC	6	6
	16" OC	4	4
	24" OC	3	3

130 MPH WIND - EXPOSURE 'C' - TYPICAL  
E = NAIL SPACING AT PANEL EDGES, INCHES.  
F = NAIL SPACING AT INTERMEDIATE SUPPORTS IN THE PANEL FIELD, INCHES.

**REVISIONS**

#	DESCRIPTION	DATE

**NEA FURNISH HOME**

**BOYER FAMILIOME**

4800 DOWNMAN ROAD  
NEW ORLEANS, LA

JOB No: 2896 DATE: 10-15-2020  
DRAWN BY: DD/KJK CHECKED BY: BAK

SHEET TITLE:  
TYPICAL CONNECTION  
DETAILS, SCHEDULES, AND  
NOTES

DRAWING NUMBER:  
**A105**

SHEET No: 10 of # 21

**DAMMON ENGINEERING, INC.**  
LOUISIANA & MISSISSIPPI

Chief Engineer: Brian Mutsch, PE  
554 Old Spanish Trail  
Slidell, LA 70498  
www.dammonengineering.com  
info@dammonengineering.com  
PH: 985.646.5832