

**THE SAENGER  
THEATRE RENEWAL  
PROJECT**

142 North Rampart Street  
New Orleans, LA

**Client**  
Saenger Theatre Redevelopment Company  
200 West Loop South, Suite  
1040 Houston TX 77027

**Architect**  
**MARTINEZ+JOHNSON**  
ARCHITECTURE

1412 Eye St., NW  
Washington, DC 20005  
202.333.4480

**Structural Engineer**  
Shawn J. Franke, P.E.  
549heimer Road San  
Antonio TX 78232  
210.979.7900

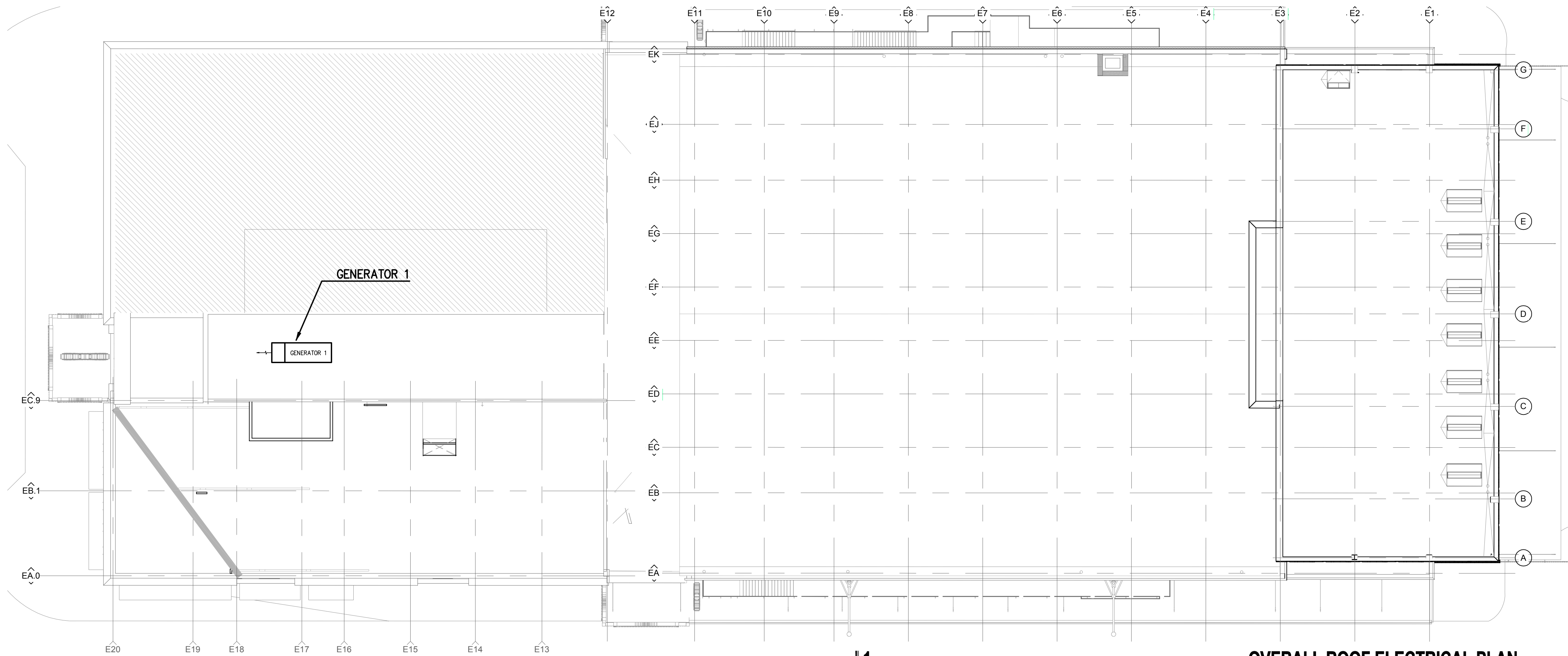
**Theatre Consultant**  
Schuler Shook  
123 Third Street North #210  
Minneapolis, MN 55401  
612.333.5650

**Acoustical Engineer**  
Akustiks  
93 North Main Street South  
Norwalk, CT 06584  
202.299.1904

**MEP Engineer**  
JBA Consulting Engineers, Inc.  
3525 N. Causeway Blvd. Suite  
500 Metairie, LA 70002  
504.830.0139

**Civil Engineer**  
Linfield, Hunter, & Junius, Inc.  
3608 18th Street Suite 200  
Metairie, LA 70002  
504.833.3300

**Architectural Historian**  
EHT Traceries, Inc.  
1121 Fifth Street NW  
Washington, DC 20001  
202.393.1199



1

FN: 090394\_E050.DWG

**OVERALL ROOF ELECTRICAL PLAN**

SCALE: 1/16" = 1'-0"

THESE DRAWINGS, SPECIFICATIONS, AND OTHER DOCUMENTS, COLLECTIVELY, THE "DOCUMENTS", INCLUDING WITHOUT LIMITATION ELECTRONIC VERSIONS THEREOF AND THE IDEAS, DESIGNS, AND ARRANGEMENTS REPRESENTED THEREBY, ARE AND SHALL REMAIN THE PROPERTY OF MARTINEZ & JOHNSON ARCHITECTURE PC, AS DEFINED BY APPLICABLE CONTRACTUAL AGREEMENTS ("THE AGREEMENTS") AND AS PROTECTED BY THE COPYRIGHT STATUTES OF THE UNITED STATES. USE OF THE DOCUMENTS SHALL BE STRICTLY LIMITED TO THE PROJECT FOR WHICH THEY WERE PREPARED AND DEVELOPED ("THE PROJECT") FOR THE TERMS OF THE AGREEMENTS. NO PART OF THE DOCUMENTS SHALL BE COPIED, DISCLOSED TO OTHERS, OR USED IN CONNECTION WITH ANY OTHER WORK OR PROJECT, OR BY ANY OTHER PERSONS FOR ANY PURPOSES, OTHER THAN THE COMPLETION OF THE PROJECT, WITHOUT THE SPECIFIC WRITTEN AUTHORIZATION OF MARTINEZ & JOHNSON ARCHITECTURE PC. THE DOWNLOADING, OPENING, OR VIEWING OF ELECTRONIC VERSIONS OF THE DOCUMENTS OR VISUAL CONTACT WITH ANY PRINTED FORM THEREOF SHALL CONSTITUTE CONCLUSIVE EVIDENCE OF ACCEPTANCE OF THESE RESTRICTIONS.

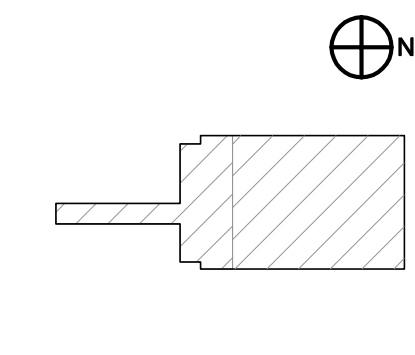
7502

DATE:	No.:	ISSUE:
02.19.10	1	PERMIT SET
04.02.10	2	GMP CONTRACT SET

DATE:	No.:	REVISION:
11.11.10		CONTRACT SET

SHEET TITLE:  
**OVERALL ROOF LEVEL -  
ELECTRICAL PLAN**

**E0.50**



09.0394

ISSUED FOR PERMIT

© 2010 M+J

P:\09.0394 Saenger\Theatre\DRAWINGS\ELECTRICAL\090394\_E050.dwg, 11/19/2010 02:29:29 PM, dhjgna