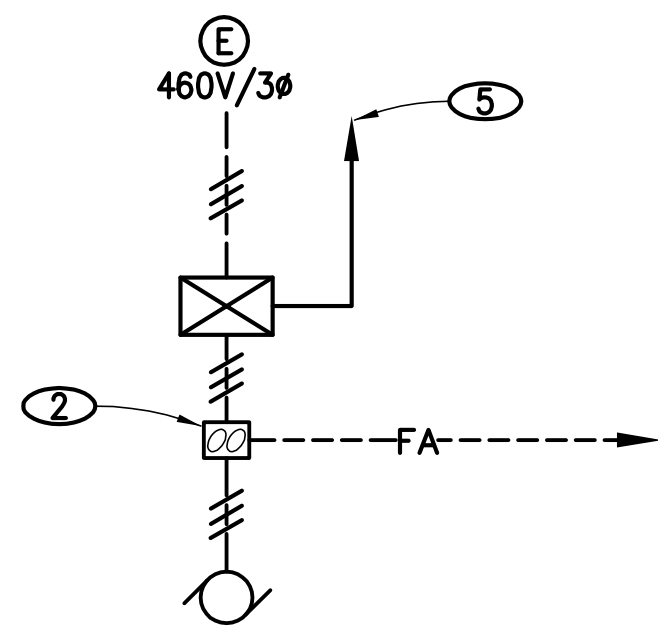
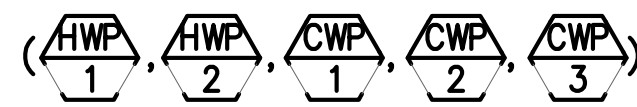
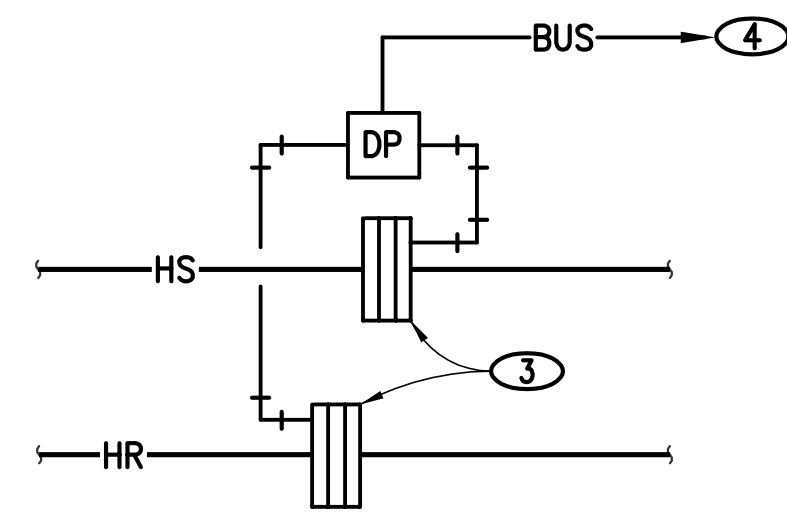


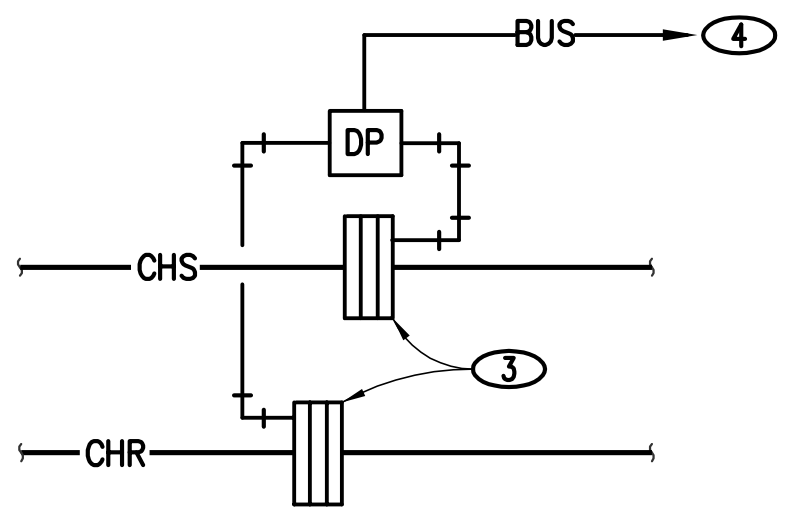
HYDRONIC CIRCULATING PUMP CONTROL



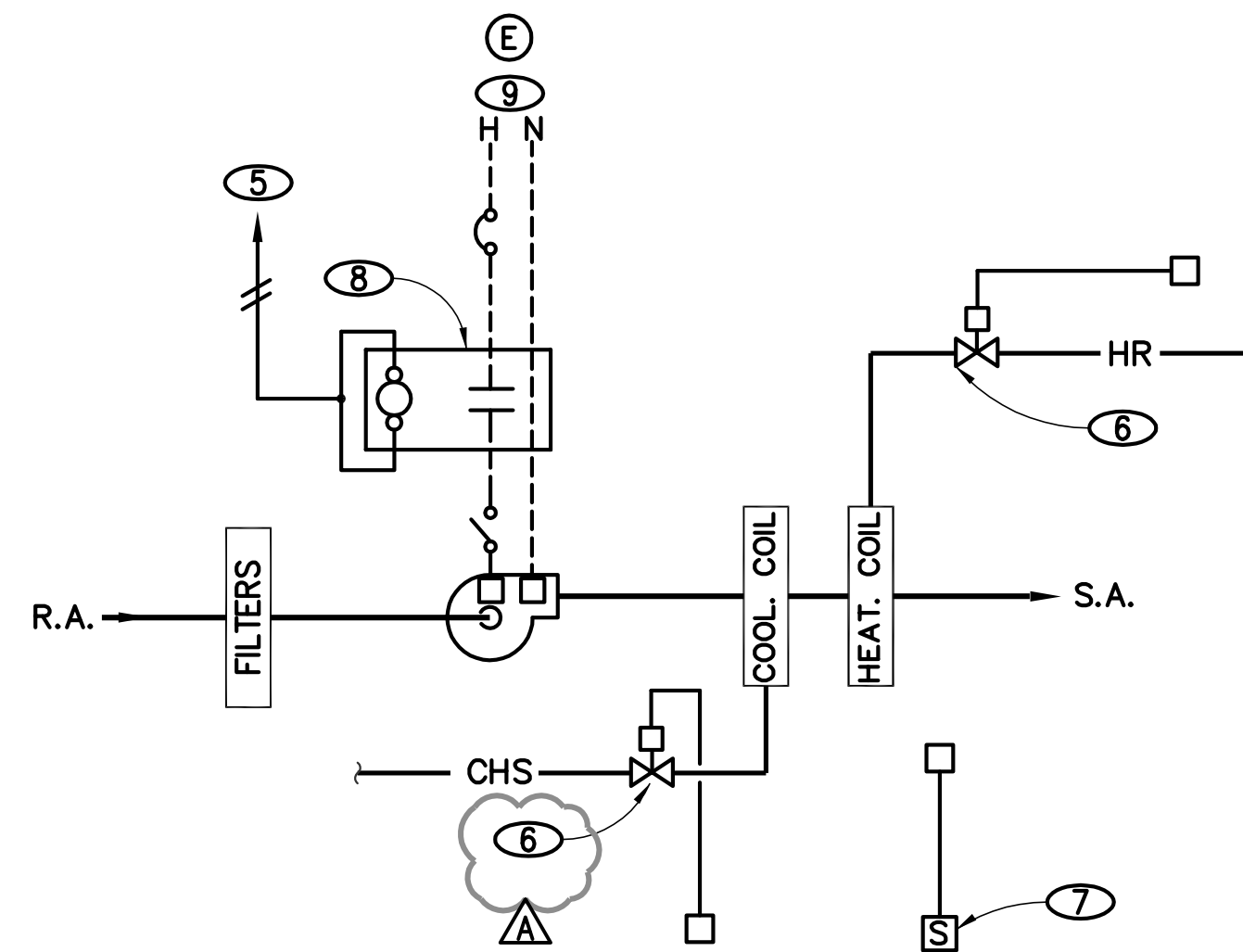
EXHAUST FAN



**HOT WATER SYSTEM
DIFFERENTIAL PRESSURE**



**CHILLED WATER SYSTEM
DIFFERENTIAL PRESSURE**



TYP. FAN COIL UNIT



NOTES

- ① SPEED CONTROL SIGNAL VIA EMCS.
- ② CURRENT STATUS SWITCH CALIBRATE TO ANNUNCIATE HEAD END UNDER ANY FAULT CONDITION (BROKEN FAN BELT, ETC.).
- ③ LOCATE AT HYDRAULICALLY MOST REMOTE POINT OF THE SYSTEM.
- ④ EXTEND DEDICATED COMMUNICATION TRUNK TO SECONDARY PUMP CONTROLS.
- ⑤ START/STOP VIA EMCS.
- ⑥ 2-WAY CONTROL VALVE. SELECT FOR MAX. 5 PSIG WPD AT SCHEDULED FLOW & 50 PSIG SHUT-OFF.
- ⑦ SPACE SENSOR WITH PLUG-IN PORT-SEE PLANS FOR LOCATION.
- ⑧ SPST RELAY FOR ATC/EMCS INTERFACE (START/STOP). VERIFY EXACT INTERFACE REQMENTS. WITH ATC/EMCS SUPPLIER PRIOR TO BEGINNING WORK.
- ⑨ VERIFY VOLTAGE WITH SCHEDULE.

**THE SAENGER
THEATRE RENEWAL
PROJECT**

142 North Rampart Street
New Orleans, LA

Client
Saenger Theatre Redevelopment Company
200 West Loop South, Suite
1040 Houston TX 77027

Architect
MARTINEZ+JOHNSON
ARCHITECTURE

1412 Eye St., NW
Washington, DC 20005
202.333.4480

Structural Engineer
Shawn J. Franke, P.E.
549 Heimer Road, San
Antonio TX 78232
210.979.7900

Theatre Consultant
Schuler Shook
123 Third Street North #210
Minneapolis, MN 55401
612.333.5550

Acoustical Engineer
Akustiks
93 North Main Street South
Norwalk, CT 06584
202.299.1904

MEP Engineer
JBA Consulting Engineers, Inc.
3525 N. Causeway Blvd. Suite
500 Metairie, LA 70002
504.830.0139

Civil Engineer
Linfield, Hunter, & Junius, Inc.
3608 18th Street Suite 200
Metairie, LA 70002
504.833.5300

Architectural Historian
EHT Traceries, Inc.
1121 Fifth Street NW
Washington, DC 20001
202.393.1199

THESE DRAWINGS, SPECIFICATIONS, AND OTHER DOCUMENTS, COLLECTIVELY, THE "DOCUMENTS", INCLUDING WITHOUT LIMITATION ELECTRONIC VERSIONS THEREOF AND THE IDEAS, DESIGNS, AND ARRANGEMENTS REPRESENTED THEREIN, ARE AND SHALL REMAIN THE PROPERTY OF MARTINEZ & JOHNSON ARCHITECTURE PC, AS DEFINED BY APPLICABLE CONTRACTUAL AGREEMENTS ("THE AGREEMENTS"), AND AS PROTECTED BY THE COPYRIGHT STATUTES OF THE UNITED STATES. USE OF THE DOCUMENTS SHALL BE STRICTLY LIMITED TO THE PROJECT FOR WHICH THEY WERE PREPARED AND DEVELOPED ("THE PROJECT") FOR THE TERMS OF THE AGREEMENTS. NO PART OF THE DOCUMENTS SHALL BE COPIED, DISCLOSED TO OTHERS, OR USED IN CONNECTION WITH ANY OTHER WORK OR PROJECT, OR BY ANY OTHER PERSONS FOR ANY PURPOSES, OTHER THAN THE COMPLETION OF THE PROJECT, WITHOUT THE SPECIFIC WRITTEN AUTHORIZATION OF MARTINEZ & JOHNSON ARCHITECTURE PC. THE DOWNLOADING, OPENING, OR VIEWING OF ELECTRONIC VERSIONS OF THE DOCUMENTS OR VISUAL CONTACT WITH ANY PRINTED FORM THEREOF SHALL CONSTITUTE CONCLUSIVE EVIDENCE OF ACCEPTANCE OF THESE RESTRICTIONS.

7502

DATE:	No.:	ISSUE:
02.19.10	1	PERMIT SET
04.02.10	2	GMP CONTRACT SET

DATE:	No.:	REVISION:
11.11.10		CONTRACT SET

SHEET TITLE:
WIRING DIAGRAMS

RE-NUMBERED SHEET

AUTO. TEMPERATURE CONTROL/ EMCS WIRING DIAGRAMS

NO SCALE

1
MO.11