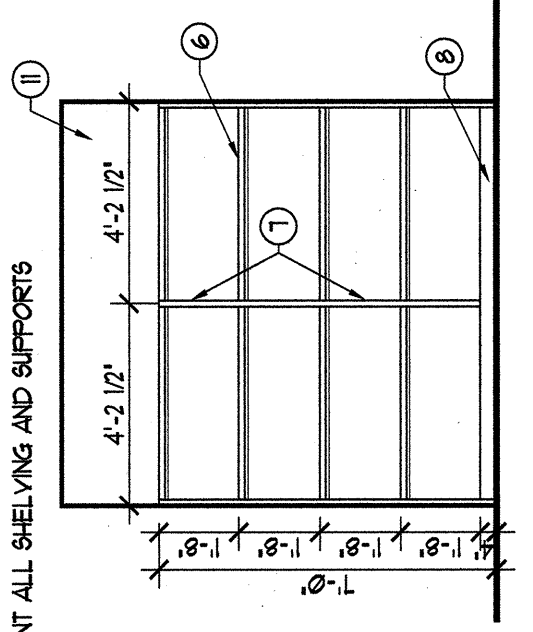


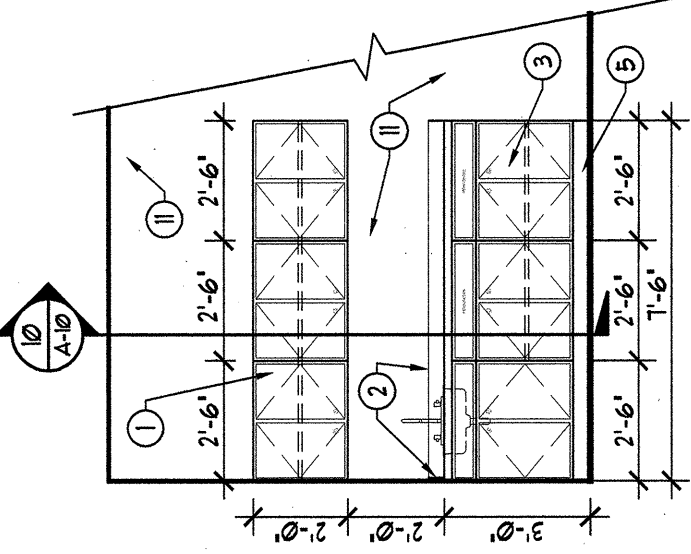


**KEY NOTES**

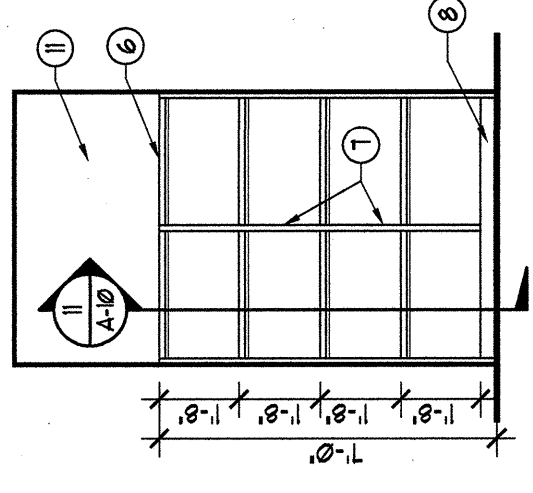
- 1 PLASTIC LAMINATE STOCK WALL CABINET WITH DOOR, ADJUSTABLE SHELF, & LOCKS.
- 2 PLASTIC LAMINATE COUNTERTOP, APRON, & 4" BACK SPLASH, RETURN SPLASH AT ENDS AGAINST WALLS.
- 3 PLASTIC LAMINATE STOCK BASE CABINET WITH DOOR, DRAWER, ADJUSTABLE SHELF, & LOCKS.
- 4 BASE CABINET WITH DRAWERS & LOCKS.
- 5 4" BASE (PLASTIC LAMINATE).
- 6 PAINTED 3/4" A-B PLYWOOD SHELVING AND 1 X 2 EDGE SUPPORT CONT. ENTIRE PERIMETER (TYP.)
- 7 PAINTED 2 X 2 VERTICAL SUPPORTS CUT INTO PLYWOOD SHELVING.
- 8 4" WOOD BASE (TYP.)
- 9 PROVIDE BLOCKING IN WALL AS REQUIRED.
- 10 CONTINUOUS 2 X 4 BLOCKING FOR SUPPORT.
- 11 PAINTED GYPSUM BOARD.
- 12 TOILET OR URINAL PARTITION.
- 13 CERAMIC TILE WAINSCOT.
- 14 PLASTIC LAMINATE STOCK TOWER CABINET WITH DOOR, ADJUSTABLE SHELVES, & LOCKS.
- 15 PLASTIC LAMINATE COUNTERTOP WITH 29" CLEAR TO FRONT SKIRT AND MAX. COUNTER HEIGHT OF 34".
- 16 2" X 2" X 1/4" STEEL ANGLE SUPPORT AT COUNTER EDGE. SECURE INTO WALL EACH END.



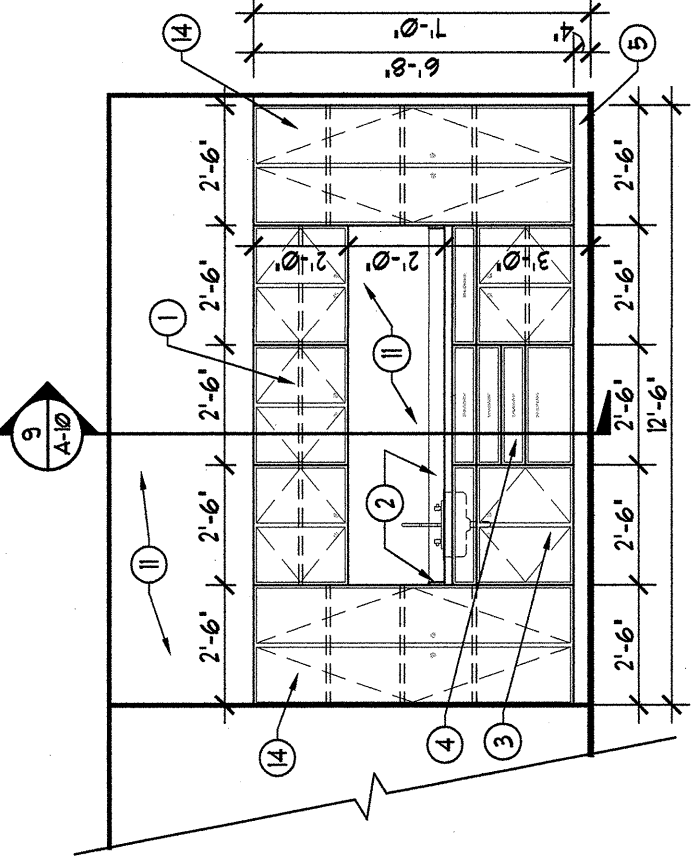
3 STORAGE RM. #103  
SCALE: 1/4" = 1'-0"



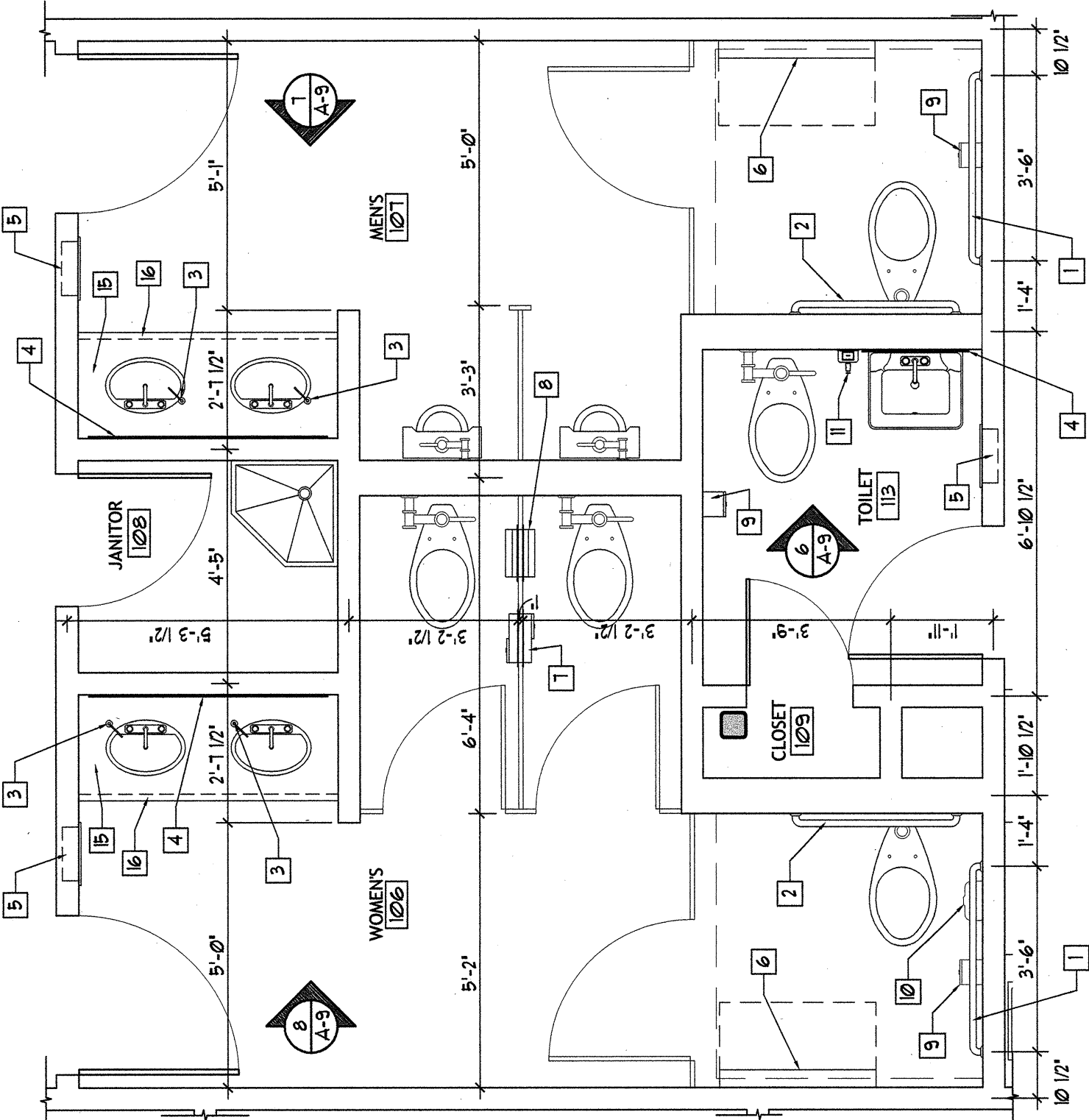
5 STAFF RM. #112  
SCALE: 1/4" = 1'-0"



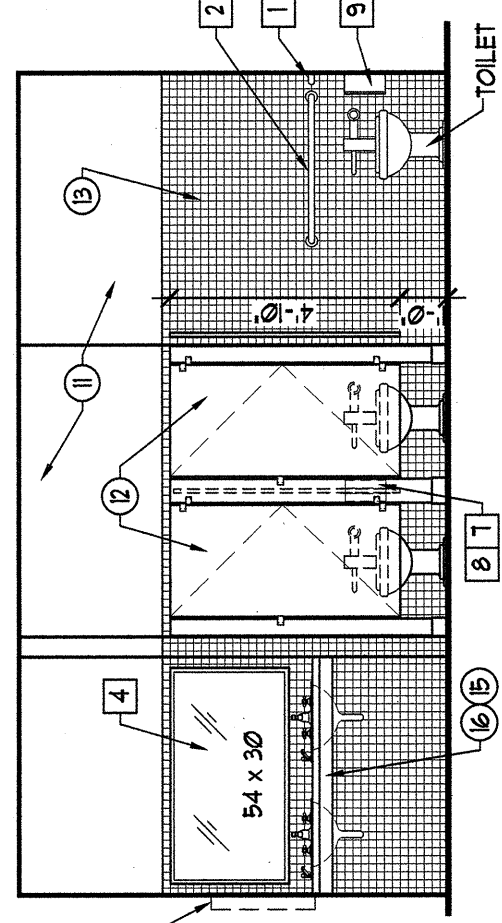
2 SUPPLY RM. #111  
SCALE: 1/4" = 1'-0"



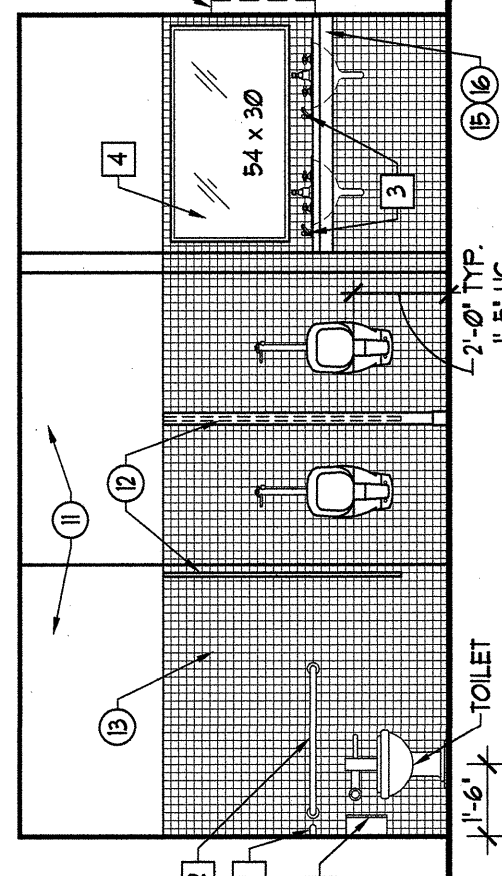
4 MEETING AREA RM. #101  
SCALE: 1/4" = 1'-0"



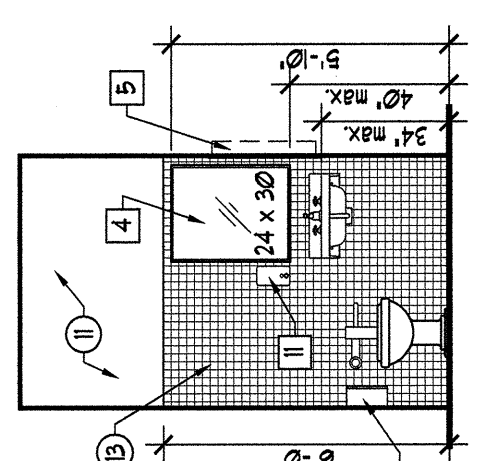
1 ENLARGED PLAN  
SCALE: 3/8" = 1'-0"



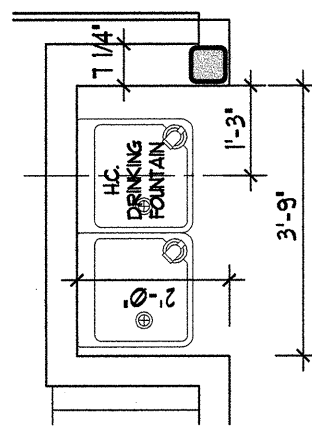
8 WOMEN'S TOILET RM. #106  
SCALE: 1/4" = 1'-0"



7 MEN'S TOILET RM. #107  
SCALE: 1/4" = 1'-0"



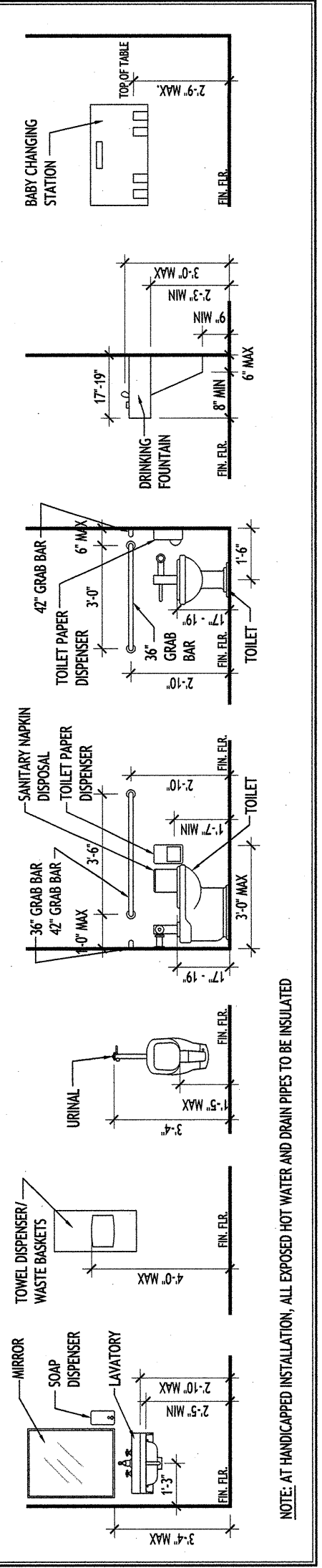
6 TOILET RM. #113  
SCALE: 1/4" = 1'-0"



12 ENLARGED PLAN  
SCALE: 3/8" = 1'-0"

| TOILET ACCESSORIES SCHEDULE                   |   |
|---|---|
| EQUIPMENT/ACCESSORIES                         | MODEL NUMBERS                                 |
| 1 42" GRAB BAR - 1 1/2" DIAMETER              | BRADLEY MODEL 812                             |
| 2 36" GRAB BAR - 1 1/2" DIAMETER              | BRADLEY MODEL 812                             |
| 3 LAVATORY MOUNTED SOAP DISPENSER             | BRADLEY MODEL 6324                            |
| 4 FRAMELESS MIRROR (SEE ELEV. FOR DIMENSIONS) | BRADLEY MODEL 141                             |
| 5 TOWEL DISPENSER/WASTE RECEPTACLE            | BRADLEY MODEL 2291 (RECEIVED)                 |
| 6 BABY CHANGING STATION                       | BOBRICK MODEL KB 100-00                       |
| 7 TOILET TISSUE DISPENSER                     | BRADLEY MODEL 5422 (SERVES 2 COMPARTMENTS)    |
| 8 SANITARY NAPKIN DISPOSAL                    | BRADLEY MODEL 4711-15 (SERVES 2 COMPARTMENTS) |
| 9 TOILET TISSUE DISPENSER                     | BRADLEY MODEL 5402                            |
| 10 SANITARY NAPKIN DISPOSAL                   | BRADLEY MODEL 4711-15                         |
| 11 SOAP DISPENSER                             | BRADLEY MODEL 6562                            |

**ACCESSORY/FIXTURE MOUNTING HEIGHTS**



NOTE: AT HANDICAPPED INSTALLATION, ALL EXPOSED HOT WATER AND DRAIN PIPES TO BE INSULATED