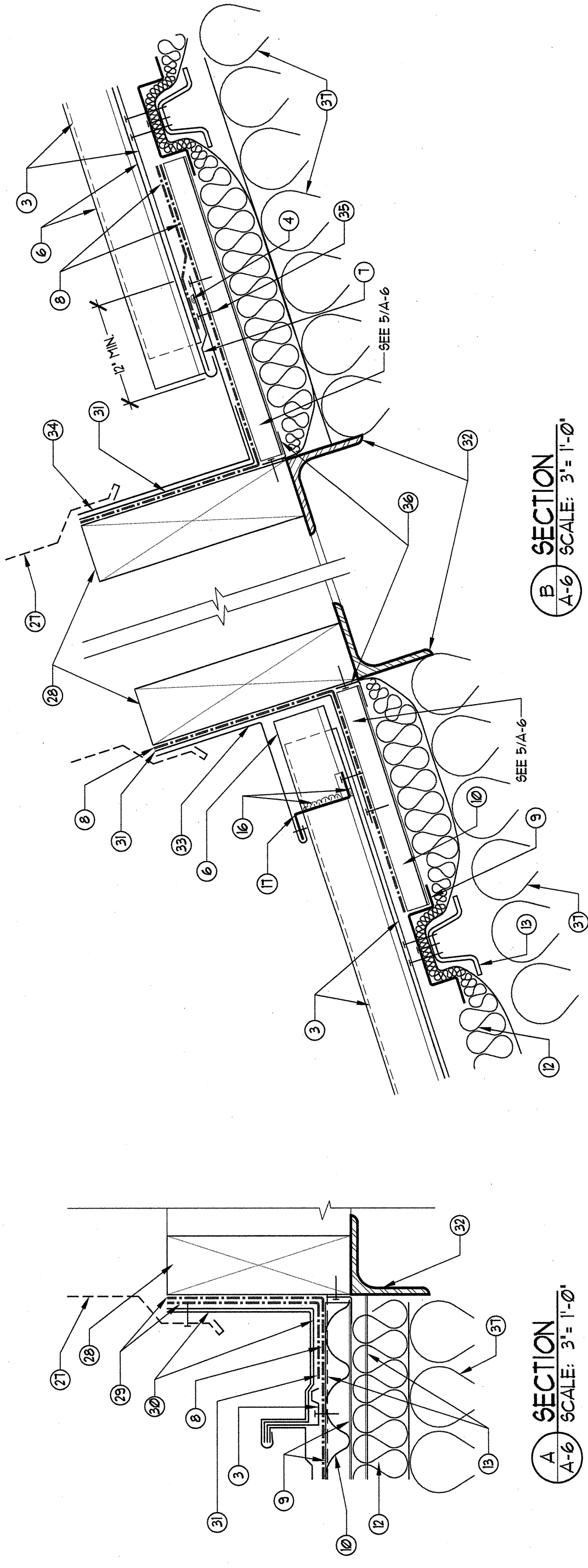


1 VALLEY DETAIL  
A-6 SCALE: 3" = 1'-0"

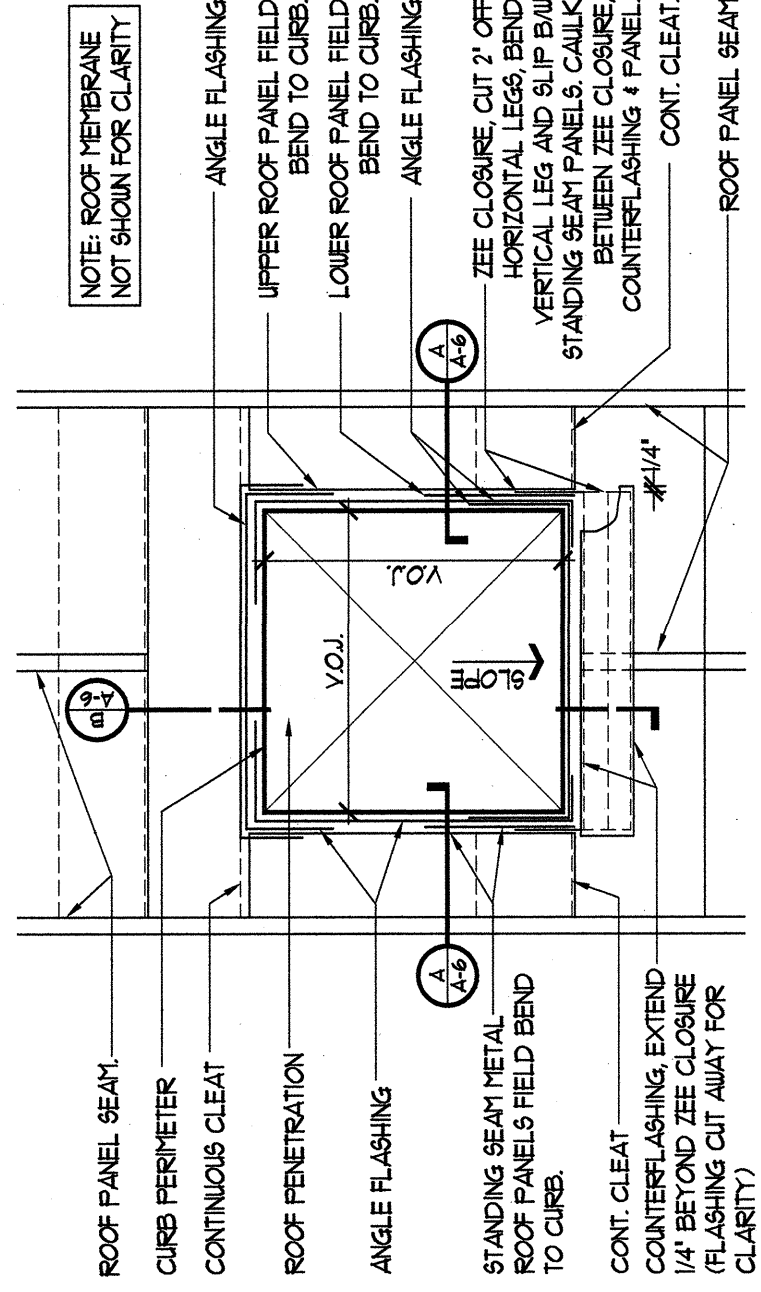
2 RIDGE DETAIL  
A-6 SCALE: 3" = 1'-0"

3 STACK DETAIL  
A-6 SCALE: 3" = 1'-0"



4 DECK REINFORCING DETAIL  
A-6 SCALE: 3/4" = 1'-0"

5 SECTION  
A-6 SCALE: 3" = 1'-0"



5 DECK REINFORCING DETAIL  
A-6 SCALE: 3/4" = 1'-0"

4 ROOF PENETRATION PLAN VIEW  
A-6 scale: N.T.S.

- KEY NOTES**
- 1 FIELD CUT PANEL SEAM AND FORTY PANEL AROUND CLEAT OF VALLEY FLASHING. DO NOT RUN CAULK IN OR UNDER CLEAT OF VALLEY FLASHING.
  - 2 FLAT SHEET VALLEY SUB-FLASHING, RUN RIDGE TO EAVE FULL WIDTH OF 9" DECK
  - 3 CONTINUOUS RIB SECURED WITH 2 FASTENERS PER HAT CHANNEL.
  - 4 CONTINUOUS CAULK
  - 5 PREFINISHED VALLEY FLASHING.
  - 6 STANDING SEAM METAL ROOF PANEL.
  - 7 CONTINUOUS CLEAT WITH FASTENERS AT 20" O.C. MAX.
  - 8 SELF-ADHERING ROOF MEMBRANE
  - 9 7/8" (16 GA.) WIDE TOP HAT CHANNEL SECURED TO HAT CHANNEL.
  - 10 1/2" (24 GA.) CORRUGATED 9" DECK WIDTH AS PER ROOF MFR RECOMMENDATIONS.
  - 11 SELF-ADHERING ROOF MEMBRANE, RUN RIDGE TO EAVE FULL WIDTH OF 9" DECK.
  - 12 VINYL FACED 3" BATT INSULATION.
  - 13 1 1/2" (16 GA.) HAT CHANNEL SPACED AS REQUIRED TO MEET ROOF WIND UPLIFT SPECIFICATIONS.
  - 14 RIDGE CAP, 4" END LAPS WITH CONTINUOUS CAULK AT LAPS, POP RIVET TO ZEE CLOSURE 40" O.C.
  - 15 SUB-FLASHING, 4" END LAPS WITH CONTINUOUS CAULK AT LAPS SECURED WITH FASTENERS AT 20" O.C. MAX.
  - 16 CONTINUOUS BEAD OF CAULK B/W ROOF PANEL AND ZEE-CLOSURE.
  - 17 ZEE-CLOSURE, FIELD CUT TO FIT B/W PANEL SEAMS, SECURE TO STRUCTURE W/ 2 FASTENERS PER ZEE.
  - 18 HAT CHANNEL, BEYOND.
  - 19 STEEL ROOF FRAMING PER STRUCTURAL.
  - 20 EXTEND AS REQUIRED (MAINTAIN MIN. HEIGHT AS RECOMMENDED BY BOOT MFR)
  - 21 PIPE PENETRATION OF 4" OR LESS, SEE MECH. DIAGS. (COORDINATE AS REQUIRED)
  - 22 RUBBER BOOT, SIZE AND TYPE TO MATCH PIPE DIAMETER AND FUNCTION. VERIFY ON JOB FOR EXACT FIT.
  - 23 SET RUBBER BOOT INTO CONT. BEAD OF CAULK AND SECURE WITH FASTENERS AS SPECIFIED BY BOOT MFR. CAULK FASTENER HEADS.
  - 24 CUT PANEL 1" SMALLER THAN PENETRATION, BACK CUT TABS, FOLD UP AROUND PENETRATION AND CAULK.
  - 25 PAINT TO MATCH ROOF PANEL.
  - 26 CINCH STRAP
  - 27 VERIFY OPENING DIMENSIONS WITH ACTUAL EQUIPMENT TO BE INSTALLED PRIOR TO PROCEEDING. COORDINATE WITH MECH. & ELEC.
  - 28 2" X CURB MATERIAL (TREATED) SECURED TO STRUCTURE.
  - 29 UPSAP PERIMETER WITH SELF-ADHERING ROOFING MEMBRANE AND ANGLE FLASHING.
  - 30 STANDING SEAM ROOF PANELS FIELD FORTY TO CURB, BACK CUT VERTICAL LEG AS REQUIRED.
  - 31 ANGLE FLASHING
  - 32 ROOF OPENING REINFORCING STRUCTURE (TYP. ALL SIDES) SIZE TO SUPPORT EQUIPMENT LOAD AND TO MEET ROOF WIND PERFORMANCE REQUIREMENTS.
  - 33 COUNTERFLASHING, 4" END LAPS WITH CONTINUOUS CAULK AT LAPS POP RIVET TO ZEE CLOSURE 40" O.C.
  - 34 FLASHING SECURED TO 9" DECK W/ FASTENERS AT 20" O.C. MAX.
  - 35 PLACE A DAB OF CAULK AT FASTENERS LOCATIONS. DRIVE FASTENERS & CAULK FASTENER HEAD.
  - 36 SUPPORT ANGLES SECURED TO CURB.
  - 37 6" UNFACED BATT INSULATION HELD WITH CHICKEN WIRE SECURED TO RAFTER BOTTOMS.