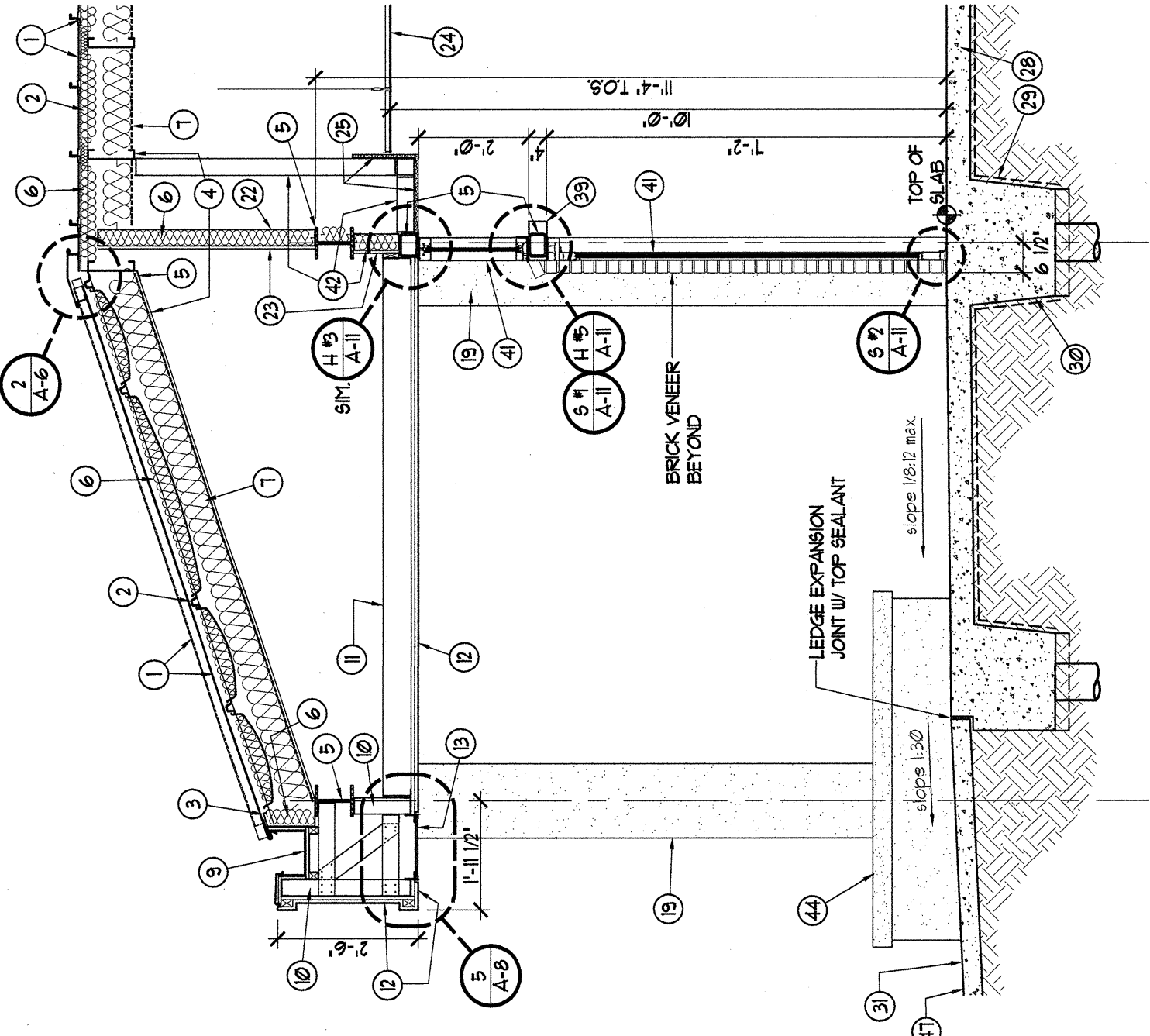
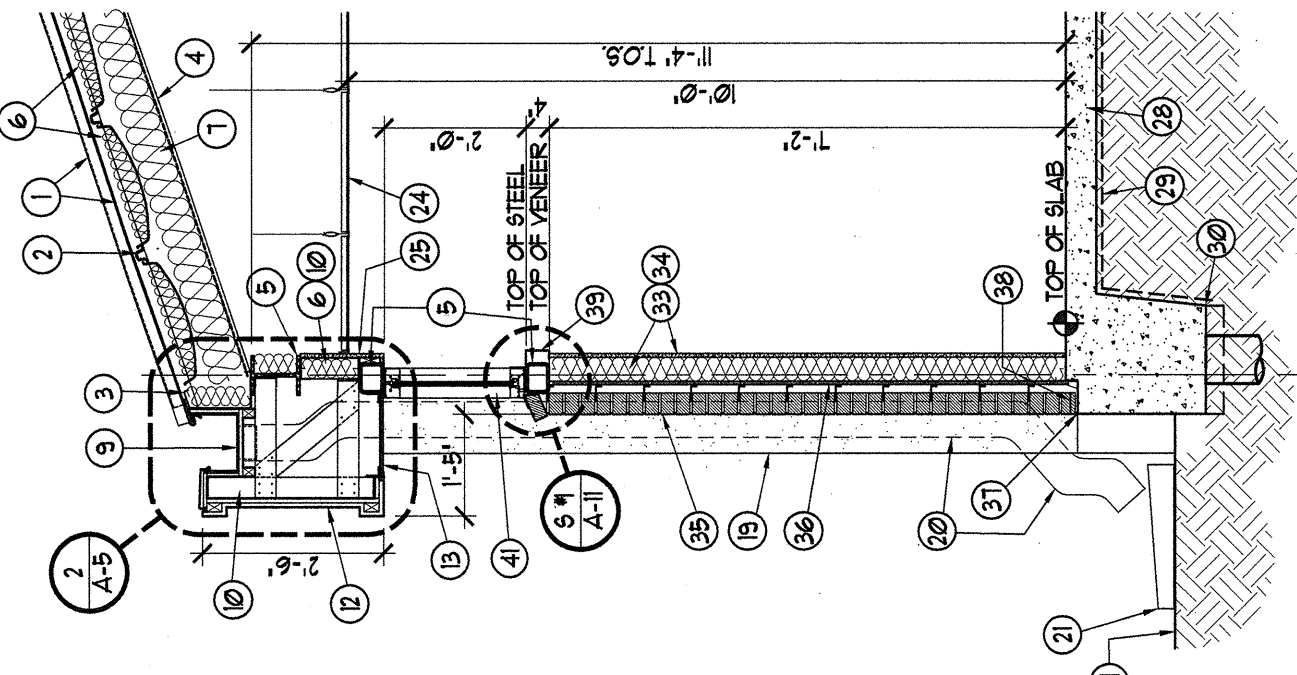


5 SOFFIT DETAIL
SCALE: 1/2" = 1'-0"

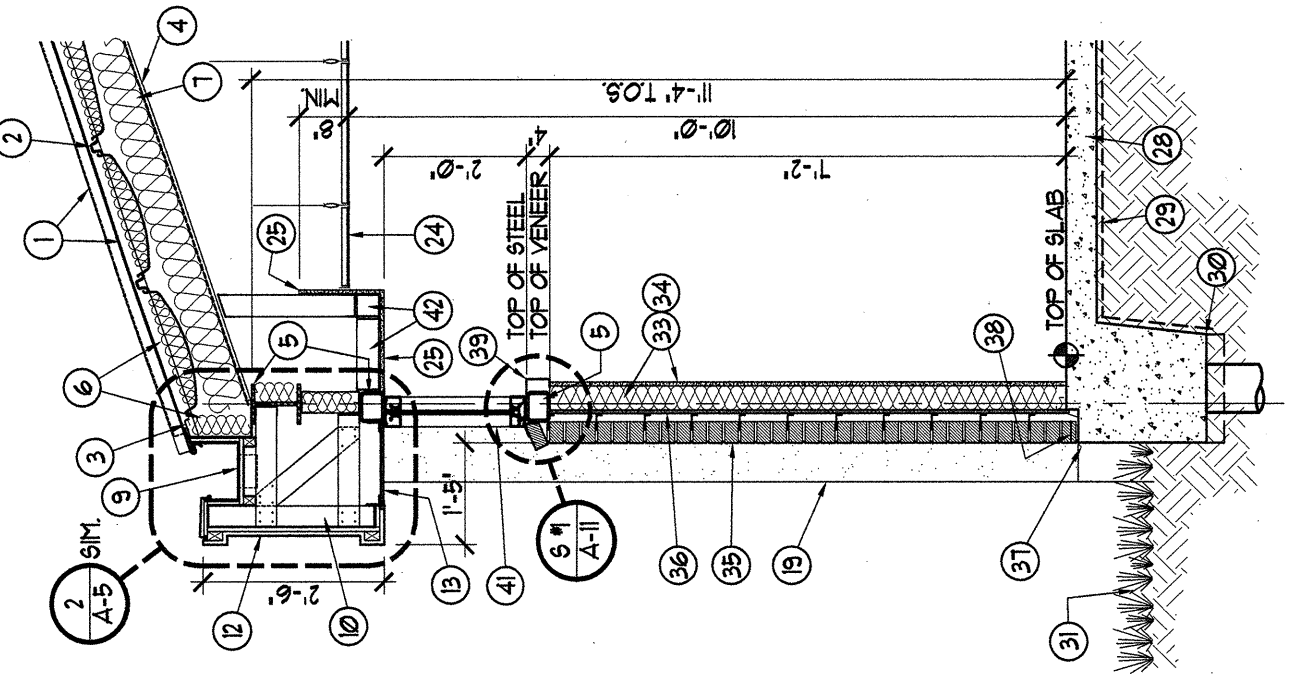
- KEY NOTES:**
- STANDING SEAM METAL ROOF PANEL SECURED TO CONTINUOUS RIB.
 - 1/2" (16 GA) HAT CHANNELS AT SPACED AS REQ'D TO MEET ROOF PERFORMANCE SPECIFICATIONS.
 - CONTINUOUS (16 GA) EAVE STRUT.
 - 2" x 10" STRUCTURAL STD RAFTERS AT 24" OC, SEE STRUCTURAL DRAWINGS.
 - METAL STRUCTURE MEMBER SEE STRUCTURAL DRAWINGS.
 - 3/4" VINYL FACED BATT INSULATION BETWEEN ROOF RAFTERS.
 - WIRE SUPPORTED 6" UNFACED BATT INSULATION BETWEEN ROOF RAFTERS.
 - KNEE WALL PER STRUCTURAL.
 - FORMED ONE PIECE 24 GA TYPE 304 STAINLESS STEEL GUTTER, SEE SHEET A-5.
 - 3/4" (16 GA) STUD FRAMING AT 16" OC.
 - 6" (16 GA) STUD FRAMING AT 16" OC.
 - PAINTED 3/4" PLASTER ON SELF-RUNNING MTL LATH OVER STUCCO WRAP ON 3/4" EXTERIOR GRADE CDX FL WOOD.
 - PREFINISHED METAL SOFFIT PANEL, SEE CEILING PLAN FOR LAYOUT.
 - SOFFIT ANGLE TRIM, SEE 2/A-5.
 - PT WOOD BLOCKING AS REQUIRED.
 - PLASTER CORNER KEY, SEE 2/A-5.
 - CONTINUOUS ANGLE, SEE 2/A-5.
 - PAINTED PLASTER COLUMN, SEE A-13.
 - 6" x 24 GA TYPE 304 STAINLESS STEEL DOWNSPOUT SECTION OF DOWNSPOUT CONCEALED BY PLASTER COLUMN IS SHOWN HIDDEN, SEE A-13.
 - CONCRETE SPLASH BLOCK.
 - 3/4" (20 GA) METAL STUDS AT 16" OC, UP TO ROOF ASSEMBLY.
 - 3/4" EXTERIOR SHEATHING.
 - LATH-ON ACACRITICAL CEILING SYSTEM.
 - PAINTED 3/4" GYPSUM BOARD.
 - 4" CARPET BASE.
 - PROVIDE BLOCKING FOR OTHER PROVIDED WALL MOUNTED EQUIPMENT.
 - CONCRETE SLAB PER STRUCTURAL.
 - VAPOR BARRIER.
 - SEE FOUNDATION DETAILS FOR FOOTING SIZES AND REINFORCING.
 - VERIFY GRADE CONDITION ON SITE PLAN.
 - LIGHT FIXTURES, SEE CEILING PLAN AND ELECTRICAL DRAWINGS.
 - 3/4" PAINTED GYPSUM BOARD ON 4" (16 GA) STUDS AT 16" OC.
 - PROVIDE 3/4" FACED BATT INSULATION BETWEEN STUDS.
 - PROVIDE RAY SET ANCHORS AT 12" OC, TOP AND BOTTOM OF FRAMING.
 - BRICK VENEER WITH TIES AT 16" OC, VERT. 4" HORIZ. (TYP).
 - WATER PROOFING MEMBRANE LIQUID APPLIED OVER 3/4" EXTERIOR SHEATHING.
 - THRU WALL FLASHING, RETURN 6" UP ON EXTERIOR SHEATHING.
 - 3/4" CLEAR PVC WEEP TUBES AT 32" OC.
 - 4" HIGH CONTINUOUS ALUMINUM WALL TRIM.
 - ALUMINUM AND GLASS WINDOWS PER OPENING SCHEDULE.
 - EXTERIOR ALUMINUM STOREFRONT SYSTEM, ANCHOR TO PERMETER STRUCTURE & REQUIRED TO MEET SPECIFIED PERFORMANCE REQUIREMENTS.
 - 3/4" (16 GA) METAL STUDS AT 16" OC.
 - 6" (16 GA) CONTINUOUS METAL STD.
 - BUILT-IN PLANTER, 3/4" PAINTED PLASTER ON 8" CHIL.
 - SUSPENDED ALUMINUM WALKWAY COVER, SEE SHEET A-3.
 - STEEL 1" PLATE BRACKET TO ANCHOR ALUMINUM WALKWAY TO STRUCTURE, ALSO SEE SHEET A-3.
 - SEE PAVEMENT PLAN FOR SIDEWALK DETAILS.
 - 6" DEEP GUTTER BEAM.



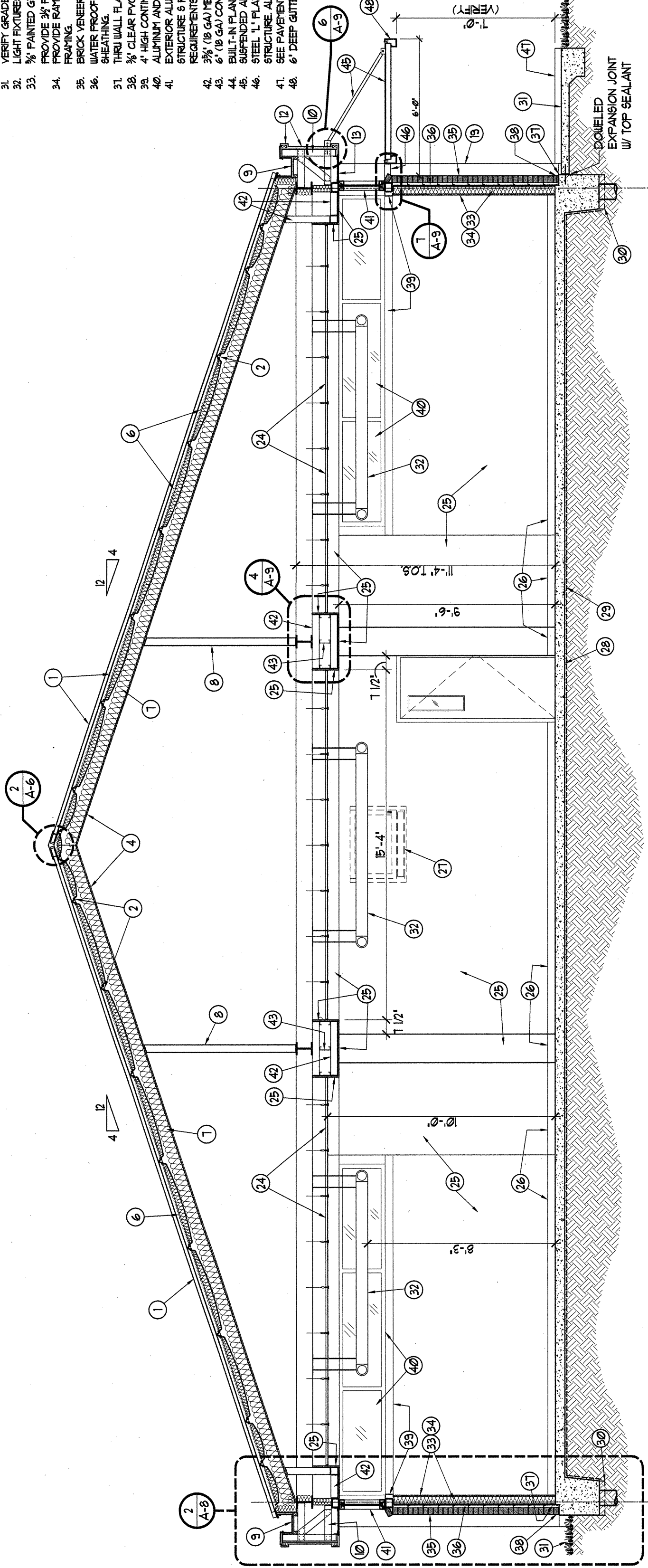
4 COVERED ENTRY SECTION
SCALE: 3/8" = 1'-0"



3 WALL SECTION
SCALE: 3/8" = 1'-0"



2 WALL SECTION
SCALE: 3/8" = 1'-0"



1 BUILDING SECTION
SCALE: 1/4" = 1'-0"