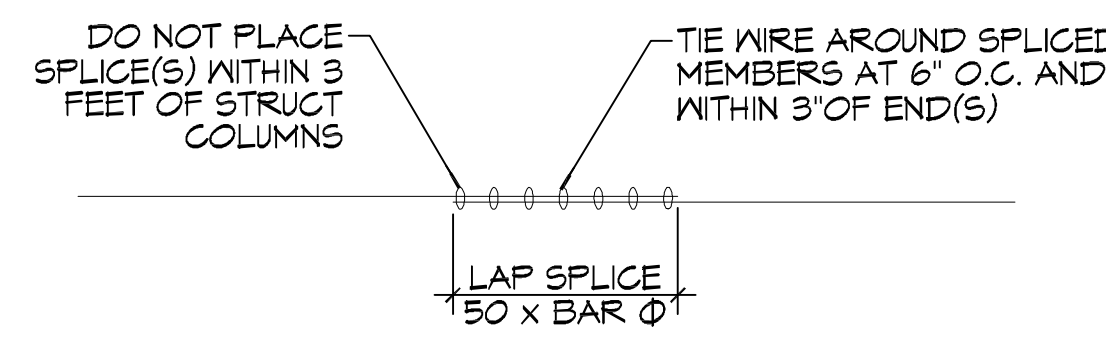


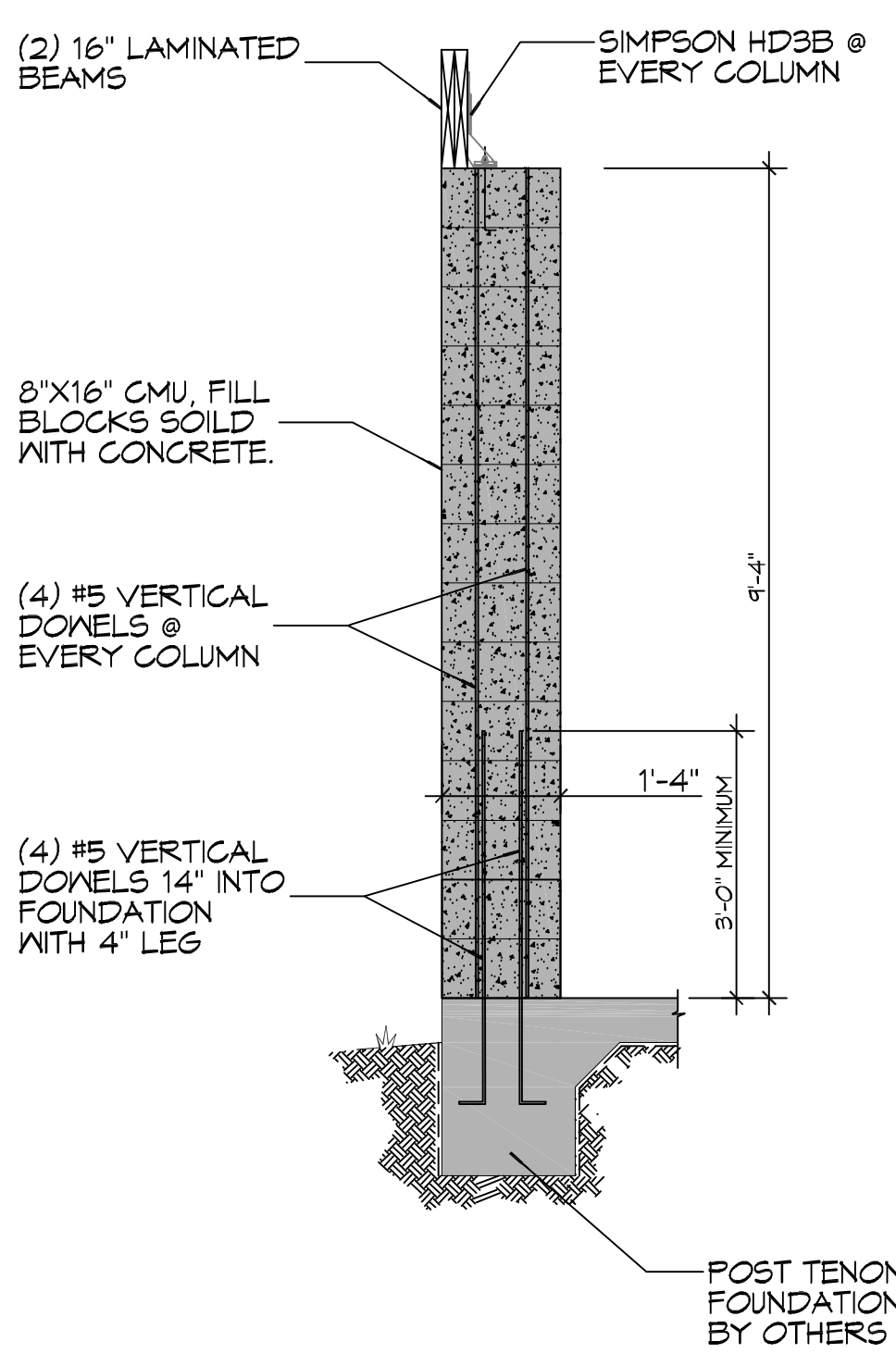
**1 FIRST LEVEL**  
SCALE: 1/4" = 1'-0"



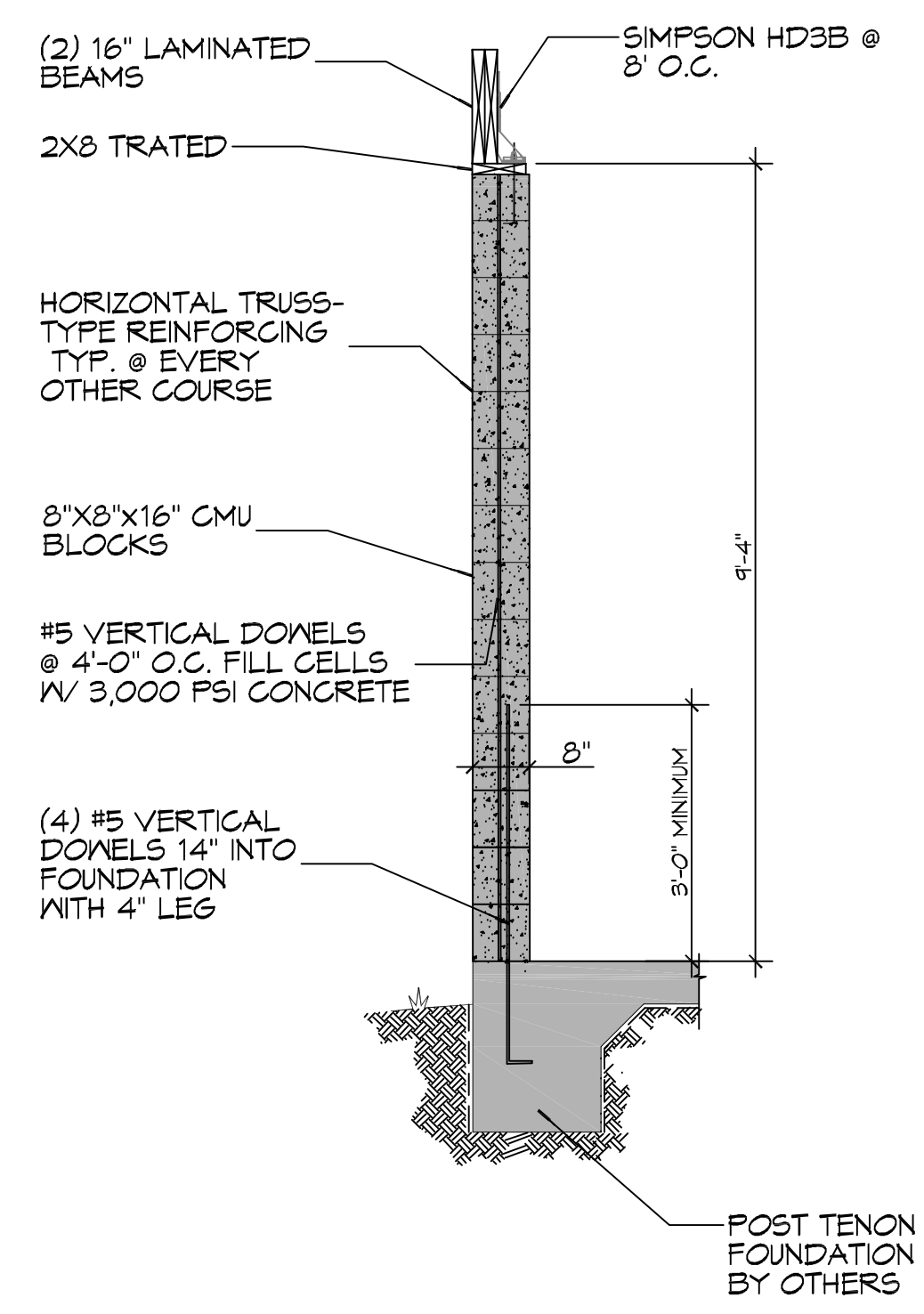
**1 DETAIL**  
SCALE: 1/2" = 1'-0"

CMU LINTEL SCHEDULE			
WIDTH (W)	CLEAR SPAN	DEPTH (D)	HORZ. REINF.
8" TYP AT ALL CMU WALLS	UP TO 3'-4"	8"	(1) #6 BOTTOM
	UP TO 6'-4"	16"	(1) #6 T&B
	UP TO 14'-0"	24"	(2) #6 T&B

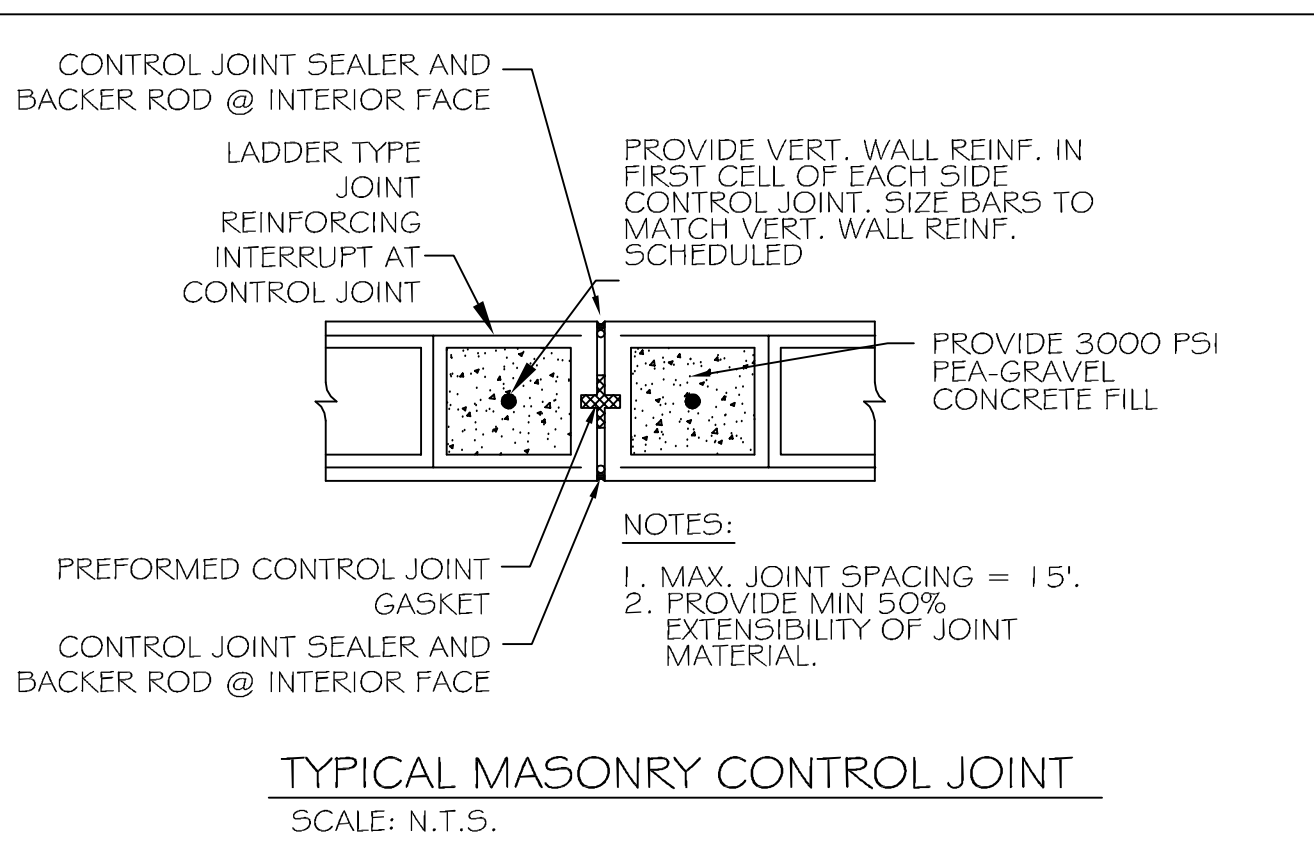
PROVIDE 3000 PSI PEA-GRAVEL CONCRETE FILL FOR ALL LINTELS.



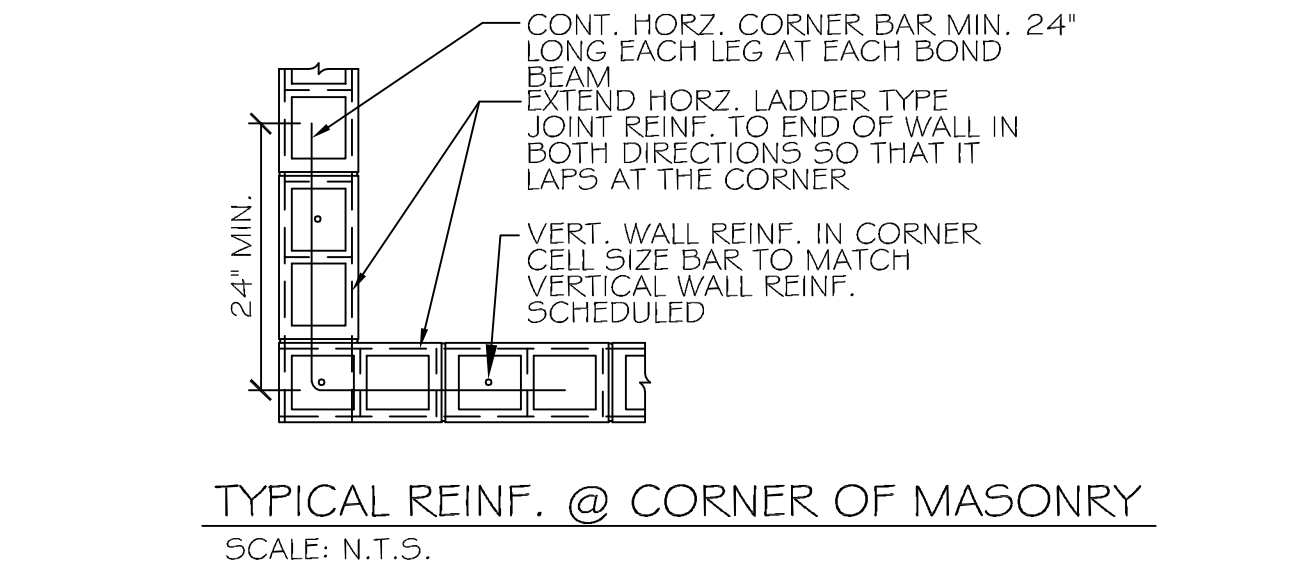
**A SECTION**  
SCALE: 1/2" = 1'-0"



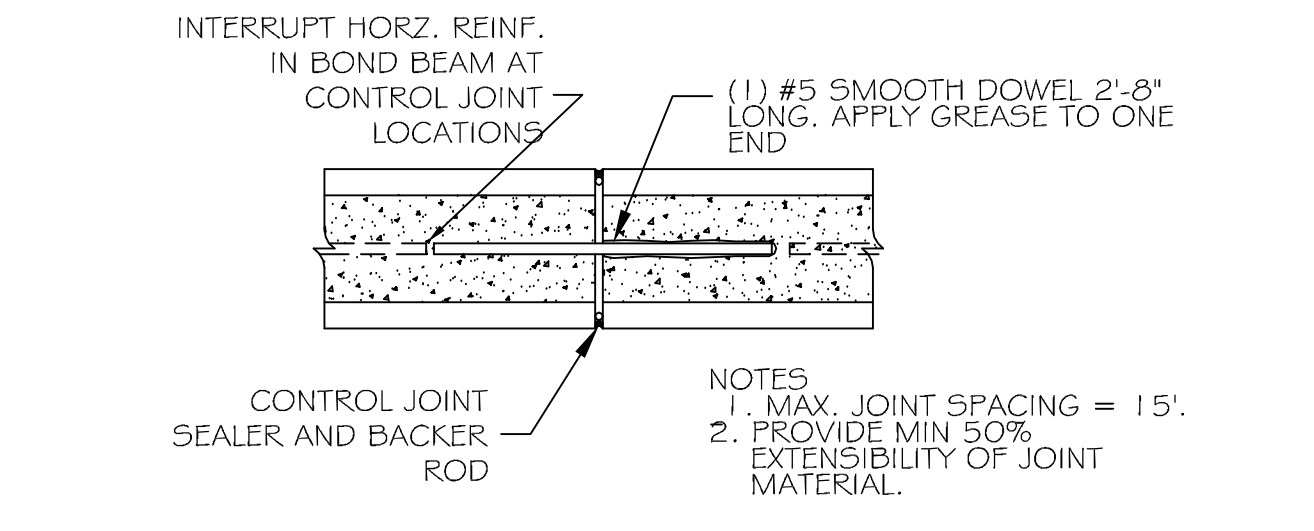
**B SECTION**  
SCALE: 1/2" = 1'-0"



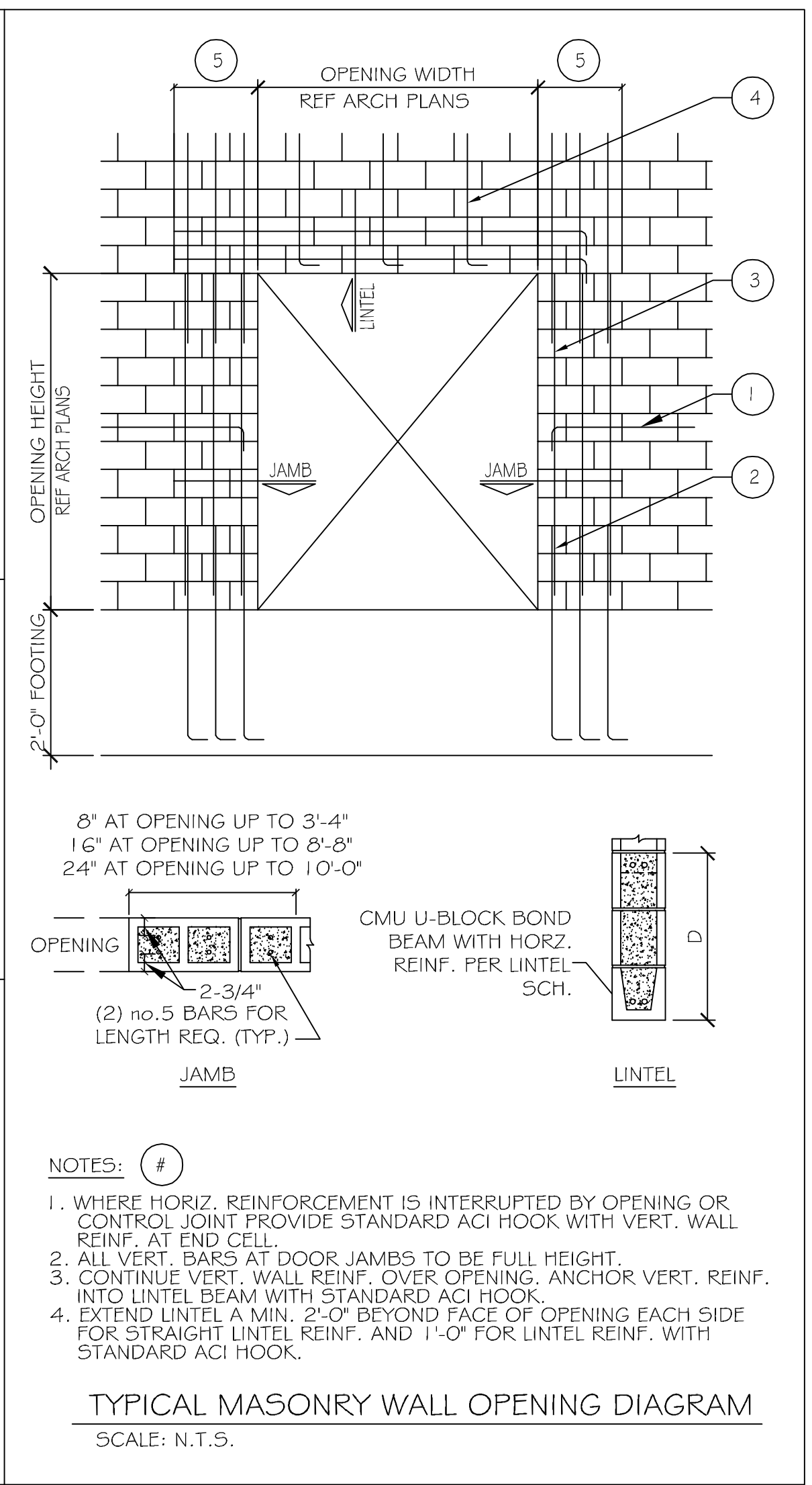
**TYPICAL MASONRY CONTROL JOINT**  
SCALE: N.T.S.



**TYPICAL REINF. @ CORNER OF MASONRY**  
SCALE: N.T.S.



**CONTROL JOINT @ BOND BEAM**  
SCALE: N.T.S.



**TYPICAL MASONRY WALL OPENING DIAGRAM**  
SCALE: N.T.S.

**DESIGN CRITERIA:**

THE CONSTRUCTION FOR SAID RESIDENCE, WHERE BASIC WIND SPEED IS 130 MILES PER HOUR, WIND EXPOSURE ZONE C, IS DESIGNED IN ACCORDANCE WITH: AMERICAN FOREST AND PAPER ASSOCIATION (AF&PA) WOOD FRAME CONSTRUCTION MANUAL FOR ONE AND TWO FAMILY DWELLINGS (WFCM) 2001 EDITION AS WELL AS THE INTERNATIONAL RESIDENTIAL CODE (IRC) 2015 EDITION

**DAMMON ENGINEERING, INC.**  
LOUISIANA & MISSISSIPPI

#	DESCRIPTION	DATE

SEAL:

**STRUCTURAL DWGS**  
**KENNY & MICHELLE KOENIGLO**  
425 CARROLL ST.  
MANDEVILLE, LA

SHEET TITLE:  
**FIRST LEVEL**

DRAWING NUMBER:  
**S101**



