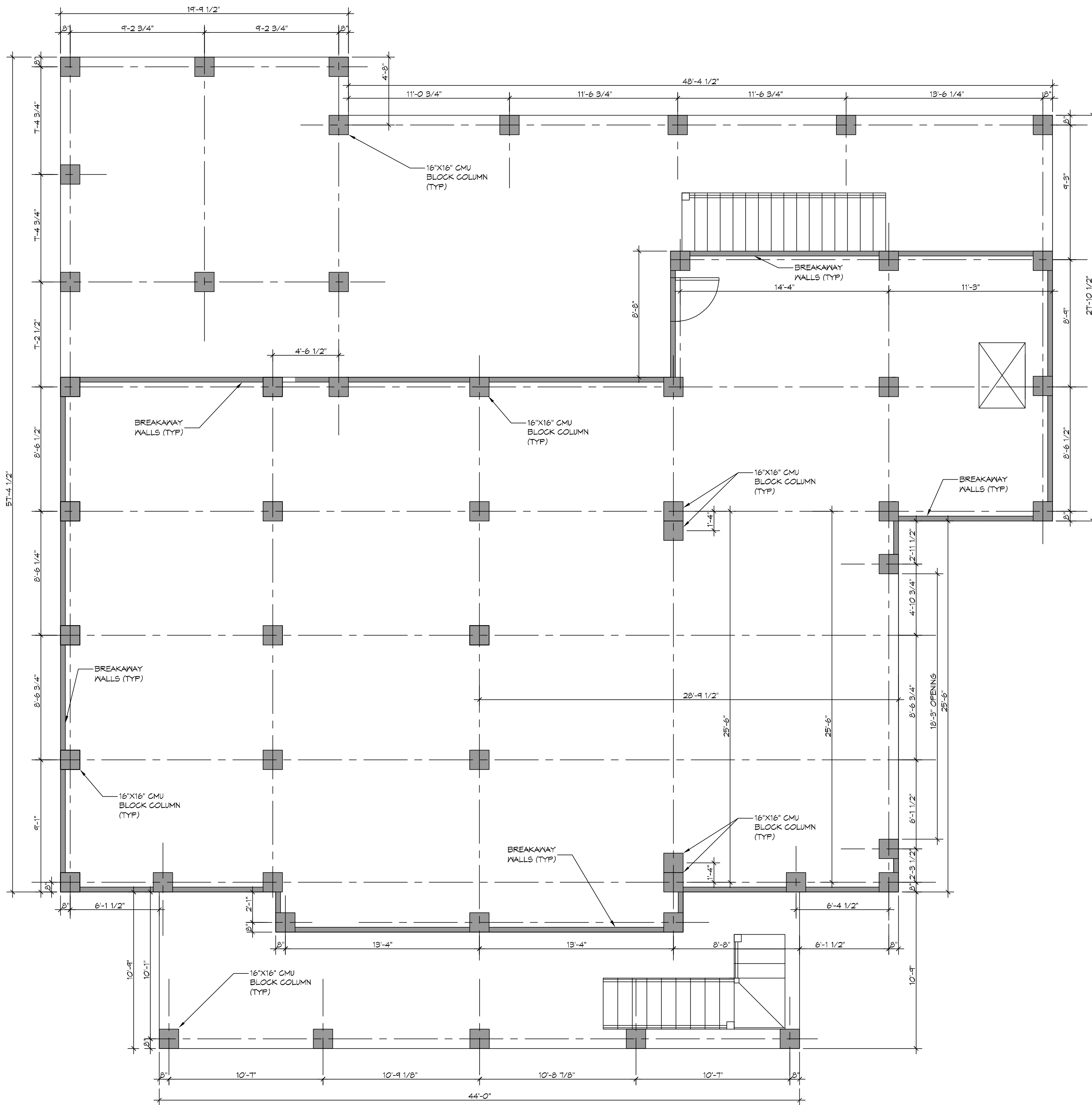


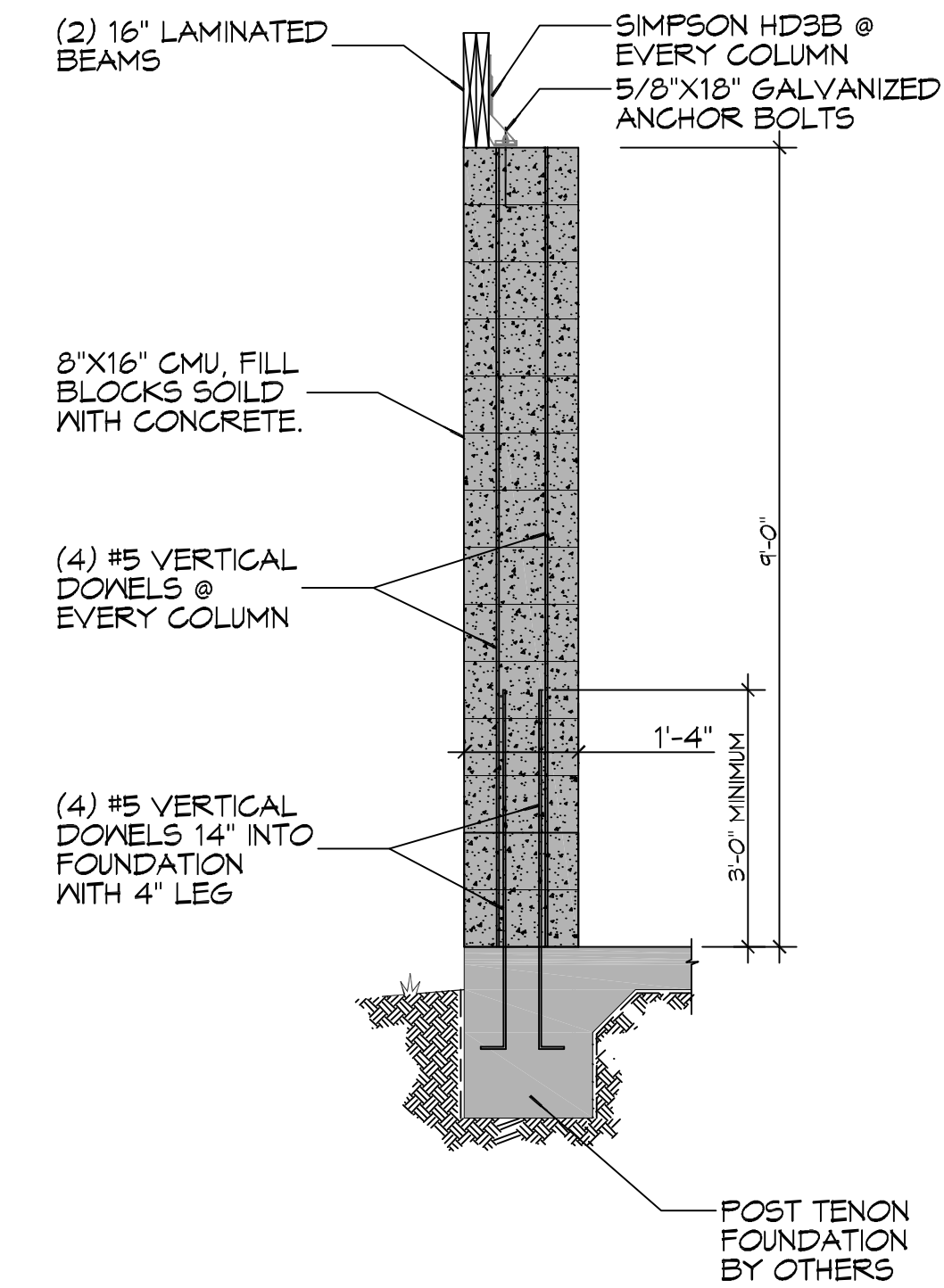
FILE NAME: J:\Locations of Structural Columns\Area 481 Drawn 481.dwg Date: 12/04/2014 10:54:00 AM



2 FIRST LEVEL COLUMN LAYOUT AND WALLS
SCALE: 1/4" = 1'-0"

DESIGN CRITERIA:

THE CONSTRUCTION FOR SAID RESIDENCE, WHERE BASIC WIND SPEED IS 130 MILES PER HOUR, WIND EXPOSURE ZONE C, IS DESIGNED IN ACCORDANCE WITH: AMERICAN FOREST AND PAPER ASSOCIATION (AF&PA) WOOD FRAME CONSTRUCTION MANUAL FOR ONE AND TWO FAMILY DWELLINGS (AF&PA) 2001 EDITION AS WELL AS THE INTERNATIONAL RESIDENTIAL CODE (IRC) 2015 EDITION



TYPICAL COLUMN SECTION
SCALE: N.T.S.

Figure 13. Typical wood-framed breakaway wall construction (prescriptive method)

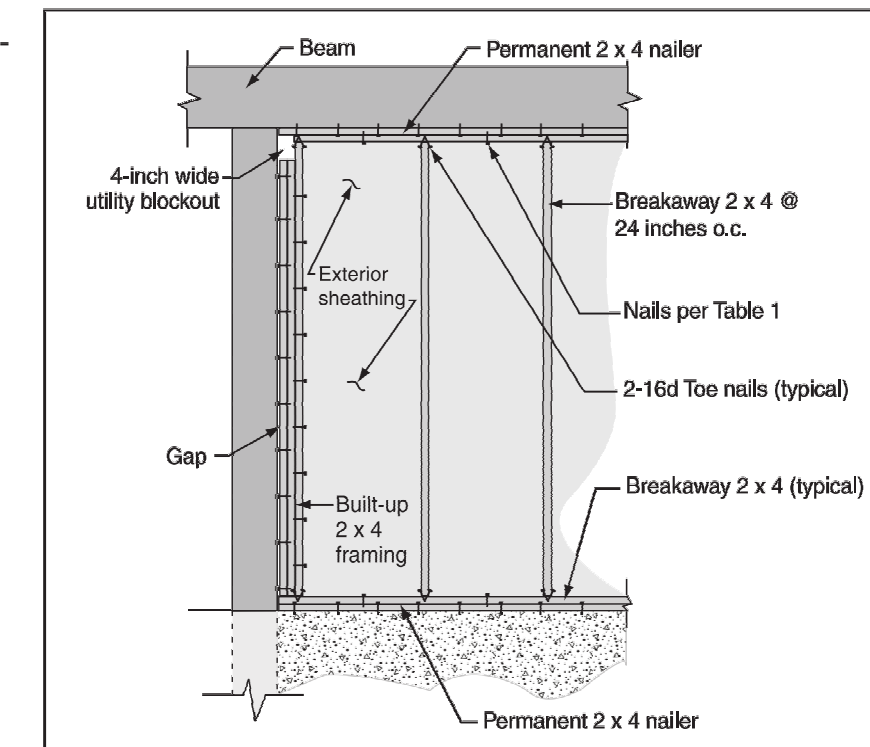


Table 1a. Total required number of galvanized common nails (divided equally between top and bottom) for wood-framed breakaway wall configurations with 8-foot pile spacing

Breakaway Wall Height (feet)	6		7		8		9	
Nail Size	8d	10d	8d	10d	8d	10d	8d	10d
Nails Required	18	12	22	14	24	16	28	18

Table 1b. Total required number of galvanized common nails (divided equally between top and bottom and evenly spaced) for wood-framed breakaway wall configurations with 10-foot pile spacing

Breakaway Wall Height (feet)	6		7		8		9	
Nail Size	8d	10d	8d	10d	8d	10d	8d	10d
Nails Required	24	16	28	18	32	20	34	24

Table 1c. Total required number of galvanized common nails (divided equally between top and bottom and evenly spaced) for wood-framed breakaway wall configurations with 12-foot pile spacing

Breakaway Wall Height (feet)	6		7		8		9	
Nail Size	8d	10d	8d	10d	8d	10d	8d	10d
Nails Required	28	18	32	22	38	24	42	28

BREAKAWAY WALL
SCALE: N.T.S.

DAMMON
ENGINEERING, INC.
LOUISIANA & MISSISSIPPI
www.dammonengineering.com
info@dammonengineering.com
Chief Engineer: Brian Mitchell, PE
554 Old Spanish Trail
Slidell, LA 70688
PH: 985.649.5832

#	DESCRIPTION	DATE

SEAL:

STRUCTURAL DWS
**SARAY & KATHLEEN
SARAY & KATHLEEN
SARAY & KATHLEEN**
451 E. CHASE
MONTEVILLE, LA
JOB NO: 12-04-2014
DRAWN BY: BAK
DATE: 12-04-2014
CHECKED BY: CKD

SHEET TITLE:
FIRST LEVEL COLUMN
LAYOUT AND WALLS

DRAWING NUMBER:
S102