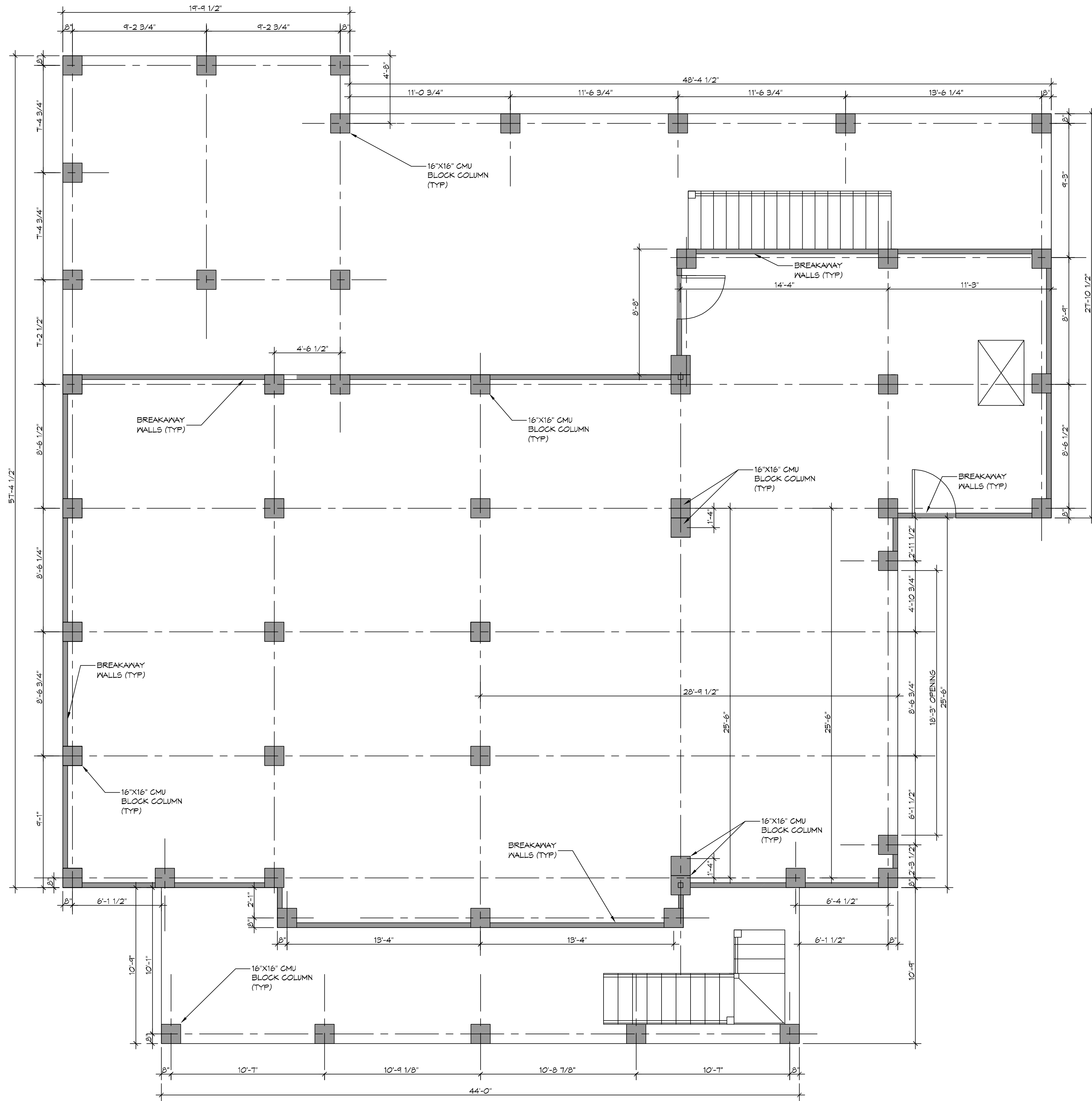


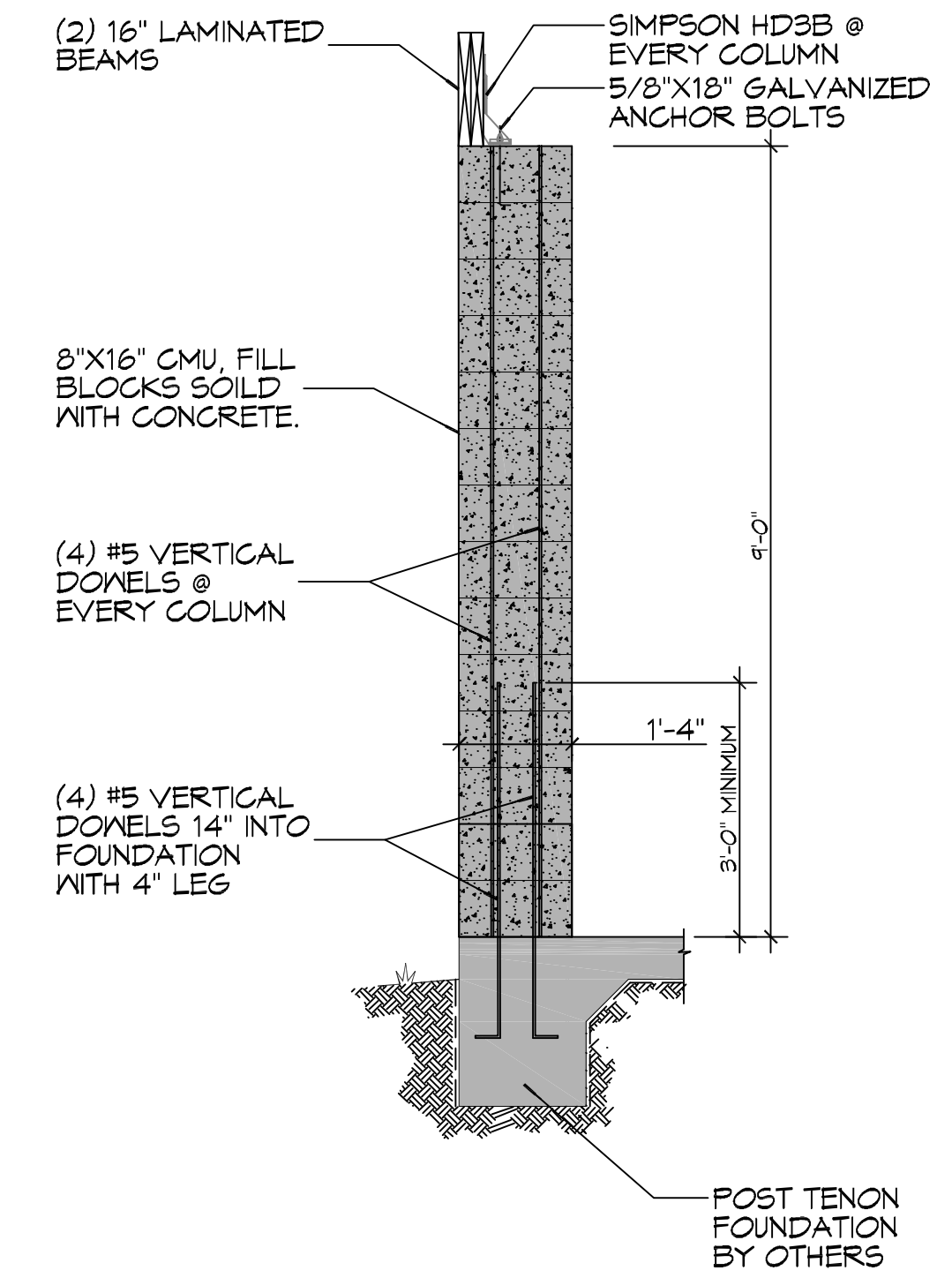
FILE NAME: A:_Foundations & Structural\04\0403 - Dry Area\01.dwg Date: 12/26/2019 10:58:00 AM



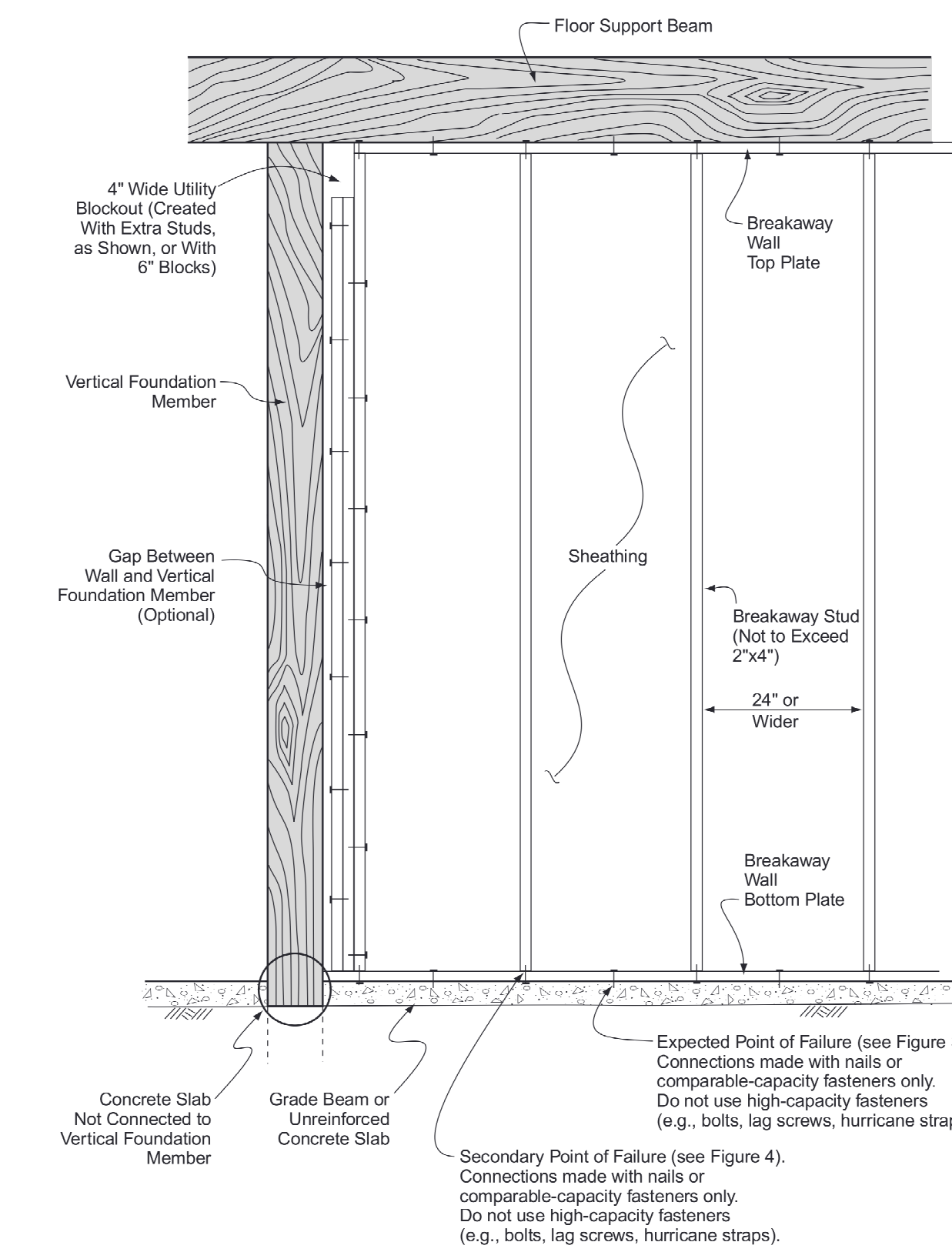
2 FIRST LEVEL COLUMN LAYOUT AND WALLS
SCALE: 1/4" = 1'-0"

DESIGN CRITERIA:

THE CONSTRUCTION FOR SAID RESIDENCE, WHERE BASIC WIND SPEED IS 130 MILES PER HOUR, WIND EXPOSURE ZONE C, IS DESIGNED IN ACCORDANCE WITH: AMERICAN FOREST AND PAPER ASSOCIATION (AF&PA) WOOD FRAME CONSTRUCTION MANUAL FOR ONE AND TWO FAMILY DWELLINGS (AF&PA) 2001 EDITION AS WELL AS THE INTERNATIONAL RESIDENTIAL CODE (IRC) 2015 EDITION



TYPICAL COLUMN SECTION
SCALE: N.T.S.



BREAKAWAY WALL
SCALE: N.T.S.

DAMMON ENGINEERING, INC.
LOUISIANA & MISSISSIPPI
www.dammonengineering.com
info@dammonengineering.com
Chief Engineer: Brian Mitchel, PE
554 Old Spanish Trail
Slidell, LA 70668
PH: 985.649.5532

#	DESCRIPTION	DATE



STRUCTURAL DWS
SARVEL & KATHLEEN
451 E. CHASE
MANDEVILLE, LA
JOB NO: 2403 DATE: 12-26-2019
DRAWN BY: BAK
CHECKED BY: CKD

SHEET TITLE:
FIRST LEVEL COLUMN LAYOUT AND WALLS

DRAWING NUMBER:

S102