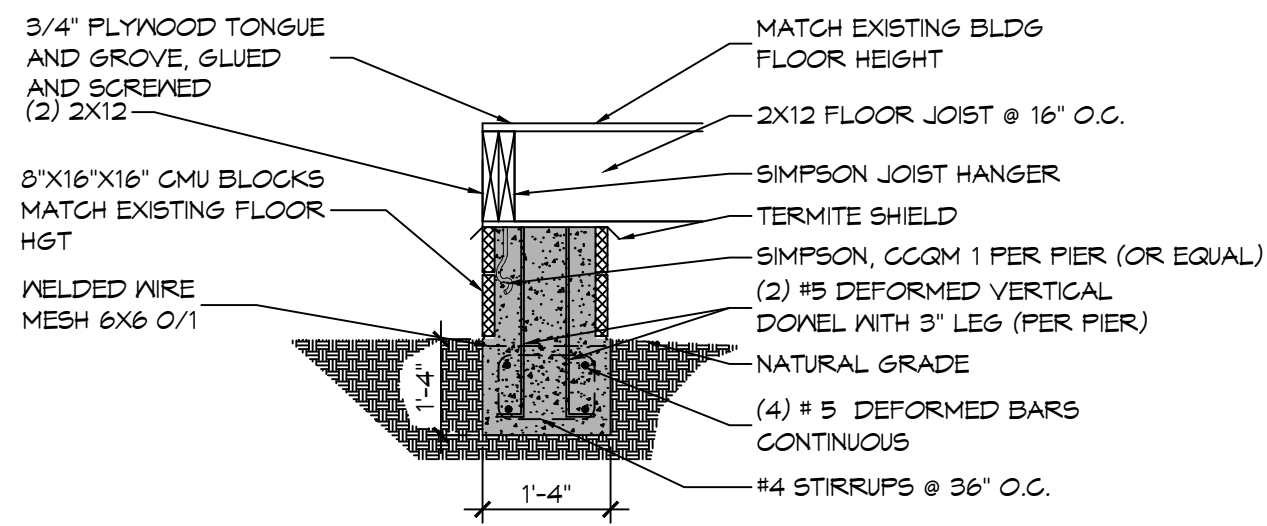
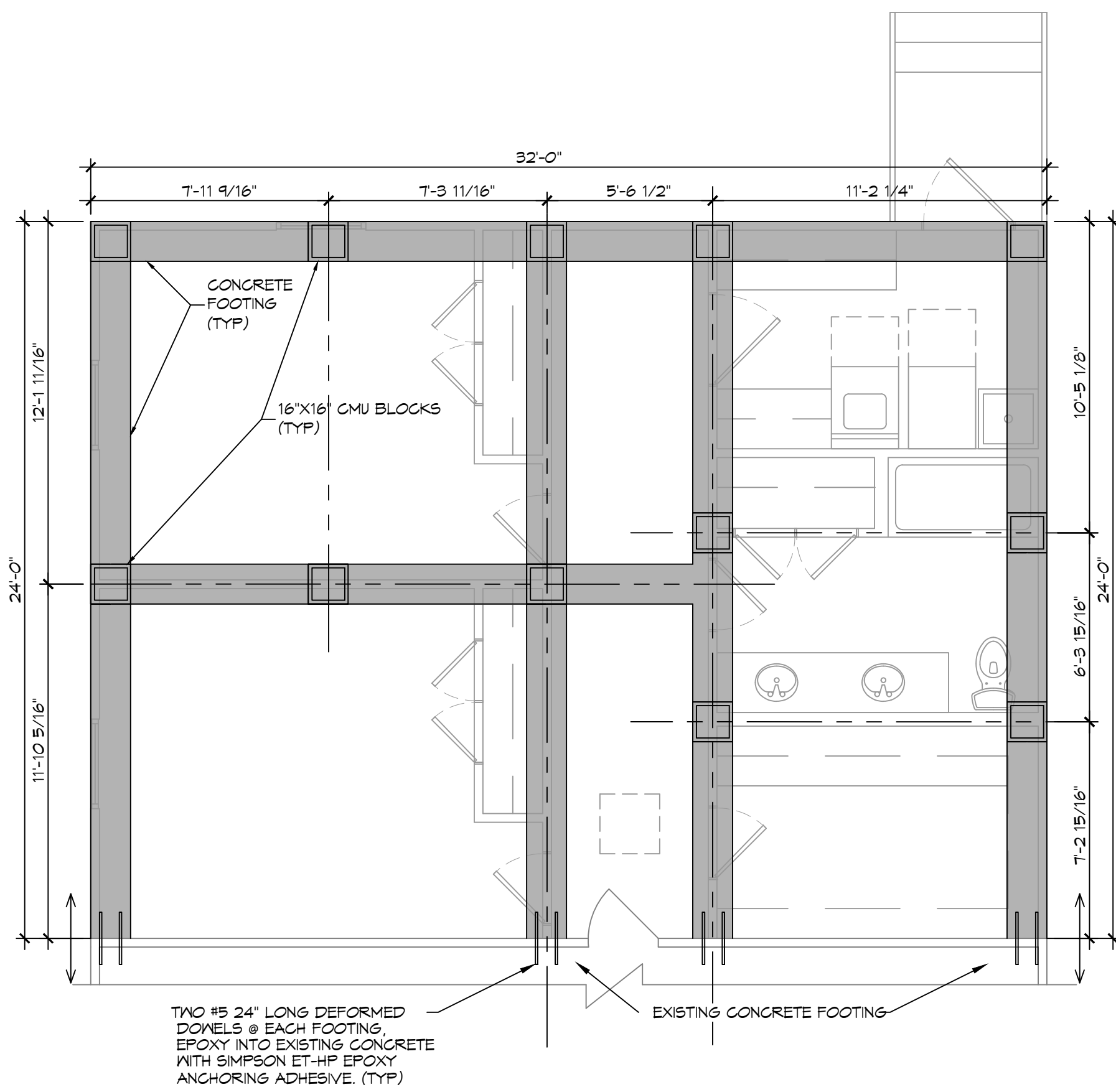


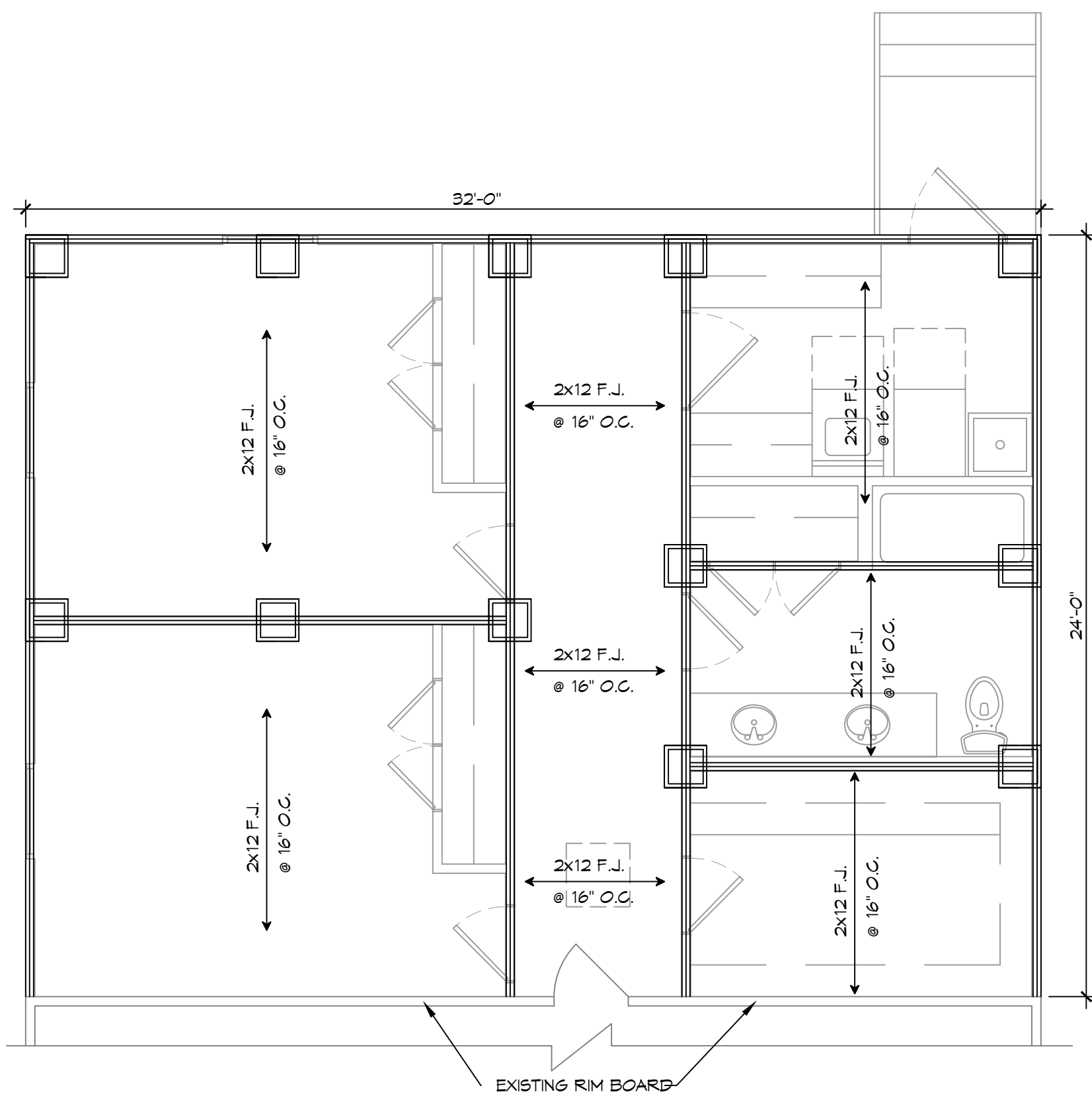
**REBAR SPLICE**  
SCALE: 1/2" = 1'-0"



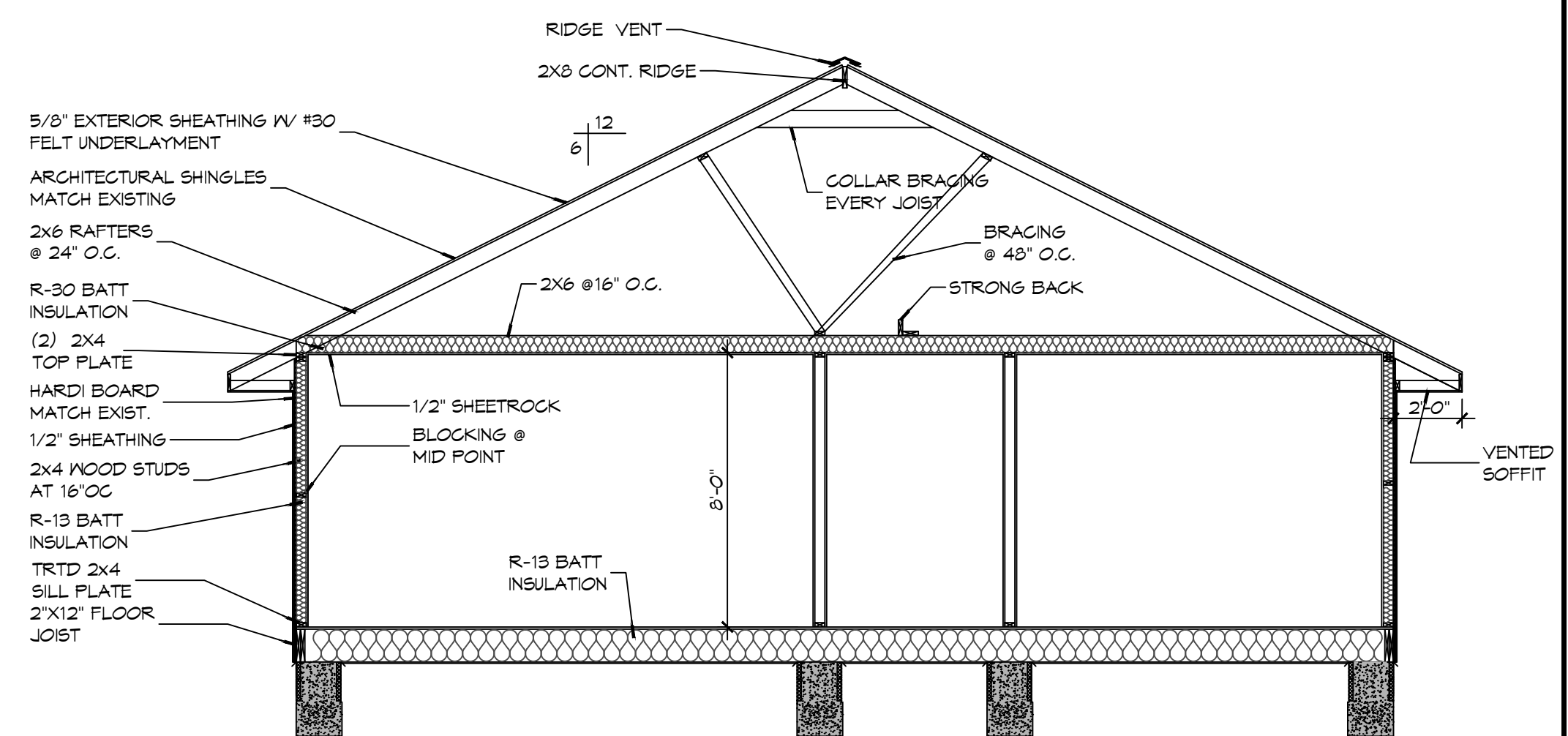
**FOUNDATION SECTION**  
SCALE: 1/2" = 1'-0"



**2 FOUNDATION PLAN**  
SCALE: 1/4" = 1'-0"



**3 FLOOR JOIST PLAN**  
SCALE: 1/2" = 1'-0"



**4 TYPICAL SECTION**  
SCALE: 1/2" = 1'-0"

**GENERAL FOUNDATION NOTES**

1. ALL DIMENSIONS ARE EDGE OF CONCRETE (EOC) TO EDGE OF CONCRETE (EOC) UNLESS NOTED OTHERWISE.
2. VERIFY ALL PLUMBING ROUGH-IN LOCATIONS AND DOUBLE UP ON FLOOR JOIST IN THOSE AREAS.
3. CONCRETE MIX SHALL HAVE A MINIMUM COMPRESSIVE STRENGTH OF 4000 PSI AT 28 DAYS. CONCRETE MIX SHALL BE IN ACCORDANCE WITH ACI-318.
4. ALL CONVENTIONAL REINFORCING STEEL SHALL MEET ASTM-A615 (GRADE 60).
5. ONE LAYER OF POLYETHYLENE VAPOR BARRIER SHALL BE PLACED UNDER ALL CONCRETE. VAPOR RETARDER TO BE MINIMUM 10 MIL THICKNESS; ASTM E 1745 CLASS A, PERMEANCE LESS THAN 0.01 PERMS, EQUAL TO STEGO INDUSTRIES STEGO WRAP, ECOSHIELD-E 15 MIL BY EPRO, OR IRONBAR 15 BY FLATIRON FILMS. PROVIDE APPROPRIATE ACCESSORIES FOR A COMPLETE SYSTEM.
6. ALL REINFORCING STEEL AND MESH SHALL BE SECURELY SUPPORTED TO PREVENT BOTH VERTICAL AND HORIZONTAL MOVEMENT DURING CONCRETE PLACEMENT.
7. THE CONTRACTOR SHALL VERIFY ALL DROPS, OFFSETS, BRICK LEDGES, DIMENSIONS AND CONFIGURATIONS.
8. GRADE BEAM DIMENSIONS MAY VARY BY -5%, +20%.
9. FILL, AS A MINIMUM QUALITY, SHALL BE 40% CLAY AND 60% SANDY MIXTURE, PLACED IN 6" LIFTS AND COMPACTED TO A MINIMUM OF 95% STANDARD PROCTOR. FOOTINGS ARE DESIGNED TO USE SOIL WITH A BEARING PRESSURE OF 2000 LBS. PER SQUARE FOOT OR MORE. IT IS RECOMMENDED THAT THE OWNER VERIFY ALLOWABLE SOIL BEARING PRESSURE CAPACITY BY CONTRACTING THE SERVICES OF A SOILS ENGINEERING COMPANY.
10. ALL SOIL BELOW SLAB SHALL RECEIVE TERMITE TREATMENT.

**DAMMON ENGINEERING, INC.**  
LOUISIANA & MISSISSIPPI

4941 TUPELO  
SLIDELL, LA 70461  
DATE: 05-20-2024  
JOB No: BAY  
DRAWN BY: CSD  
CHECKED BY: BAY

www.dammonengineering.com  
info@dammon.com  
PH: 985.649.5832

NO.	DESCRIPTION	DATE



RESIDENTIAL ADDITION  
SANDRAMORTON  
WILLIAMS

SHEET TITLE:  
FOUNDATION PLAN, FLOOR  
FRAMING PLAN AND  
SECTION

DRAWING NUMBER:  
**S101**

SHEET No: 2 of 7