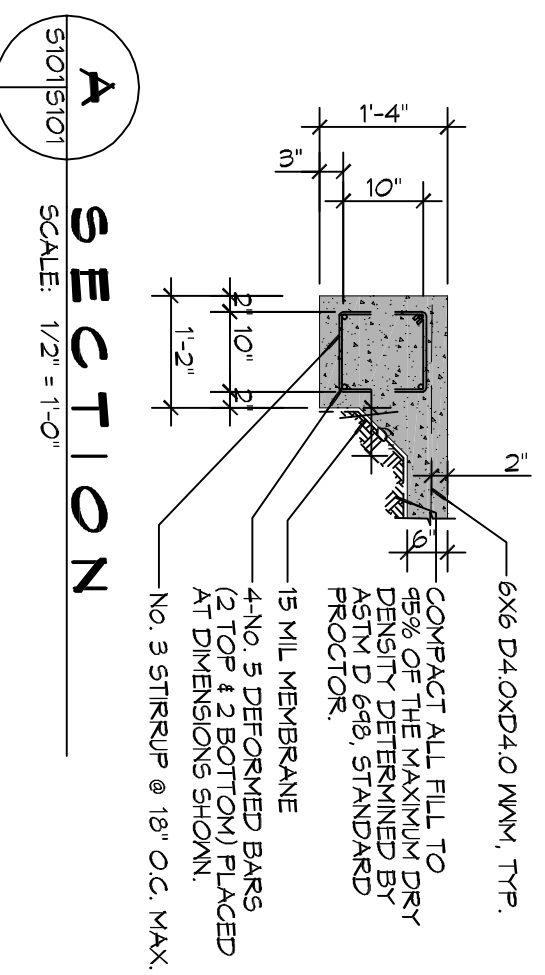
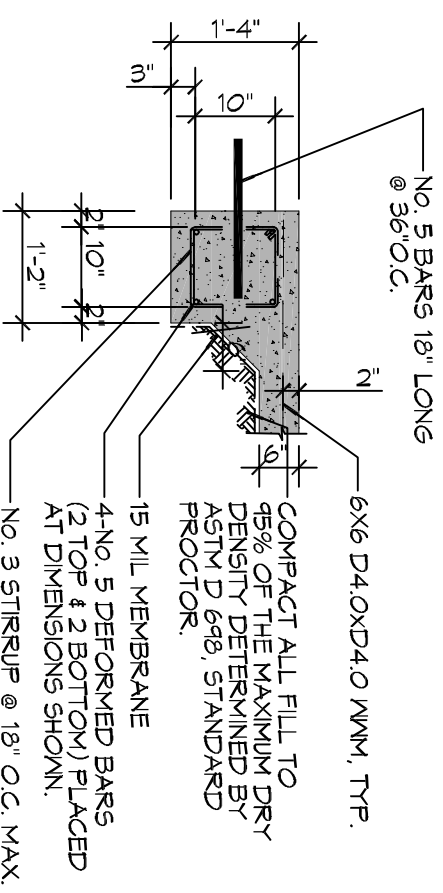


FOUNDATION PLAN
SCALE: 1/2" = 1'-0"

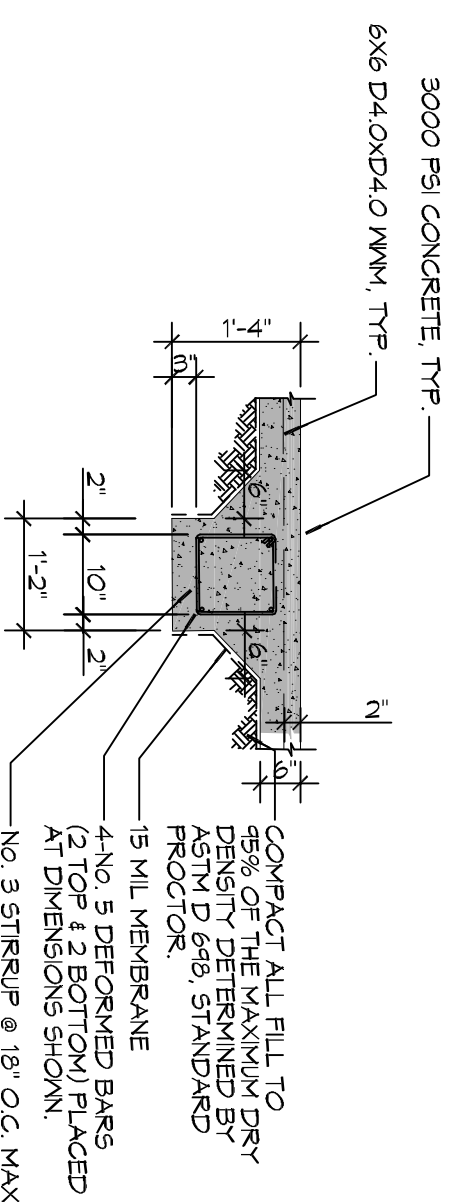
FOUNDATION



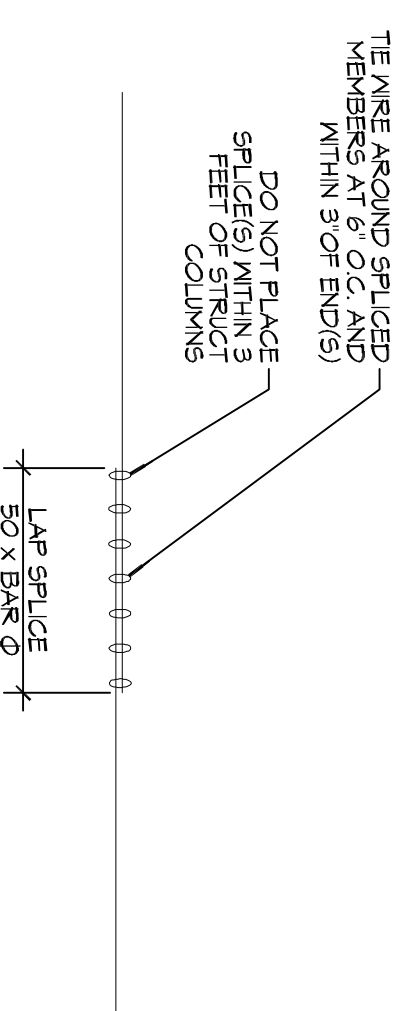
A SECTION
SCALE: 1/2" = 1'-0"



B SECTION
SCALE: 1/2" = 1'-0"



C SECTION
SCALE: 1/2" = 1'-0"



2 DETAIL
SCALE: 1/2" = 1'-0"

FOUNDATION NOTES

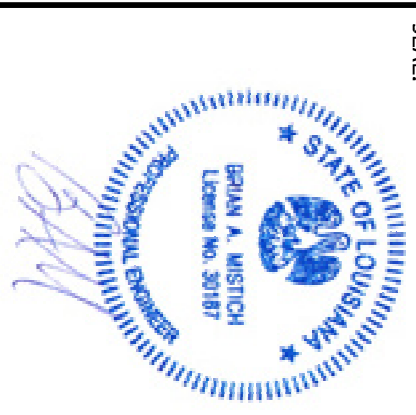
1. ALL DIMENSIONS ARE EDGE OF CONCRETE (EOC) TO EDGE OF CONCRETE (EOC) UNLESS NOTED OTHERWISE.
2. VERIFY ALL PLUMBING ROUGH-IN LOCATIONS ON ARCHITECTURAL DWGS.
3. CONCRETE MIX SHALL HAVE A MINIMUM COMPRESSIVE STRENGTH OF 3000 PSI IN 28 DAYS. CONCRETE MIX SHALL BE IN ACCORDANCE WITH ACI 318.
4. ALL CONVENTIONAL REINFORCING STEEL SHALL MEET ASTM-A615 (GRADE 60).
5. ONE LAYER OF POLYETHYLENE VAPOUR BARRIER SHALL BE PLACED UNDER ALL CONCRETE. VAPOUR RETARDER TO BE MINIMUM 10 MIL THICKNESS, ASTM E 1745 CLASS A. PERMEANCE LESS THAN 0.01 PERMS, EQUAL TO STENO INDUSTRIES STENO WEAPE. ECOSHIELD-15 MIL BY FRNO. OR ROUNBAR 15 BY FLATIRON FILMS. PROVIDE APPROPRIATE ACCESSORIES FOR A COMPLETE SYSTEM.
6. ALL REINFORCING STEEL AND WESH SHALL BE SECURELY SUPPORTED TO PREVENT BOTH VERTICAL AND HORIZONTAL MOVEMENT DURING CONCRETE PLACEMENT.
7. THE CONTRACTOR SHALL VERIFY ALL DEPTHS, OFFSETS, BRACK LEGGES, RESPONSIBLE FOR SAME.
8. GRADE BEAM DIMENSIONS MAY VARY BY 5%, 200K.
9. ALL SOIL BELOW SLAB SHALL RECEIVE TERSITE TREATMENT.



554 Old Spanish Trail
Slidell, LA 70458
PH: 985.649.5832

www.dammonengineering.com
info@dammonengineering.com
Fax: 985.641.5950

REVISIONS		DATE
#	DESCRIPTION	



SHEET TITLE: **FOUNDATION PLAN**
 DRAWING NUMBER: **S101**
 JOB No: 2251 DATE: 10-13-16
 DRAWN BY: CKD CHECKED BY: BAM
 619 BANNERWOOD DRIVE
 GRETN, LOUISIANA

SHEET No: **S101**
 1 of 1