

FILE NAME: S:\1 - Foundation of Beaujeu Bayou\1 - Piling\1 - Piling Plan.dwg  
 PLOT DATE: 8/11/2021 11:29:44 AM  
 PLOT SCALE: 1/4" = 1'-0"

**PILING NOTES**

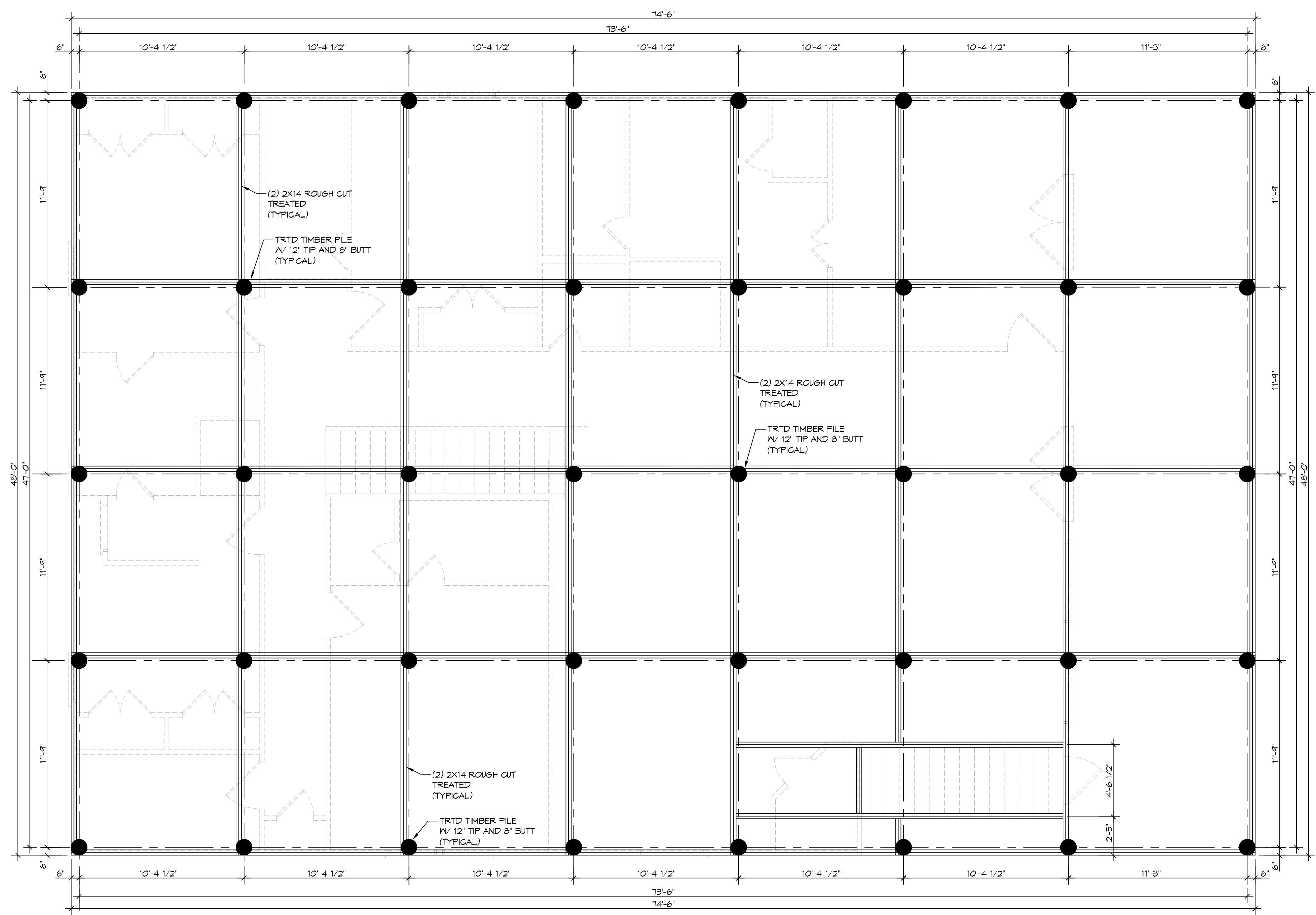
1. PILES ARE TO BE 50 FT. IN LENGTH WITH A 8" TIP AND 12" BUTT. DRIVEN TO REFUSAL.
2. ALL PILES SHALL BE PRESSURE-TREATED ROUND TIMBER PILES CONFORMING TO ASTM D25.
3. DESIGN LOAD = 5 TONS PER PILE.
4. NO FIELD SUPERVISION OR INSPECTION PROVIDED UNDER THIS SEAL UNLESS OTHERWISE NOTED.
5. PILE LAYOUT MAY BE MODIFIED DUE TO ACTUAL DRIVING CONDITIONS. ENGINEER TO BE NOTIFIED ON ANY MODIFICATION.
6. A PILE BLOW COUNT LOG OF ALL PILES IS TO BE SUBMITTED TO THE ENGINEER OF RECORD. FAILURE TO SUBMIT SAID LOG WILL RELEASE THE ENGINEER OF ALL RESPONSIBILITY.
7. CONTRACTOR IS RESPONSIBLE FOR THE COMPARISON & VERIFICATION OF PILE LAYOUT DIMENSIONS WITH MOST RECENT ARCHITECTURAL DRAWINGS, ASSURING THAT PILES DO FALL WITHIN LIMITS OF THE DESIGN.
8. USE DROP HAMMER OR SINGLE ACTING AIR HAMMER DELIVERING 1,500 FT-LBS OF ENERGY PER BLOW. RAM WEIGHT OF DROP HAMMER SHALL NOT EXCEED 3,500 TO 3,000 LBS AND THE DROP SHOULD NOT EXCEED 3 FT. AT MINIMUM OF 25 BLOWS PER FOOT. IF THE DROP EXCEEDS 3 FT. CONTACT ENGINEER FOR INSTRUCTIONS.
9. BRACE ALL PILING AS NEEDED FOR SWAYING.

**GENERAL NOTES**

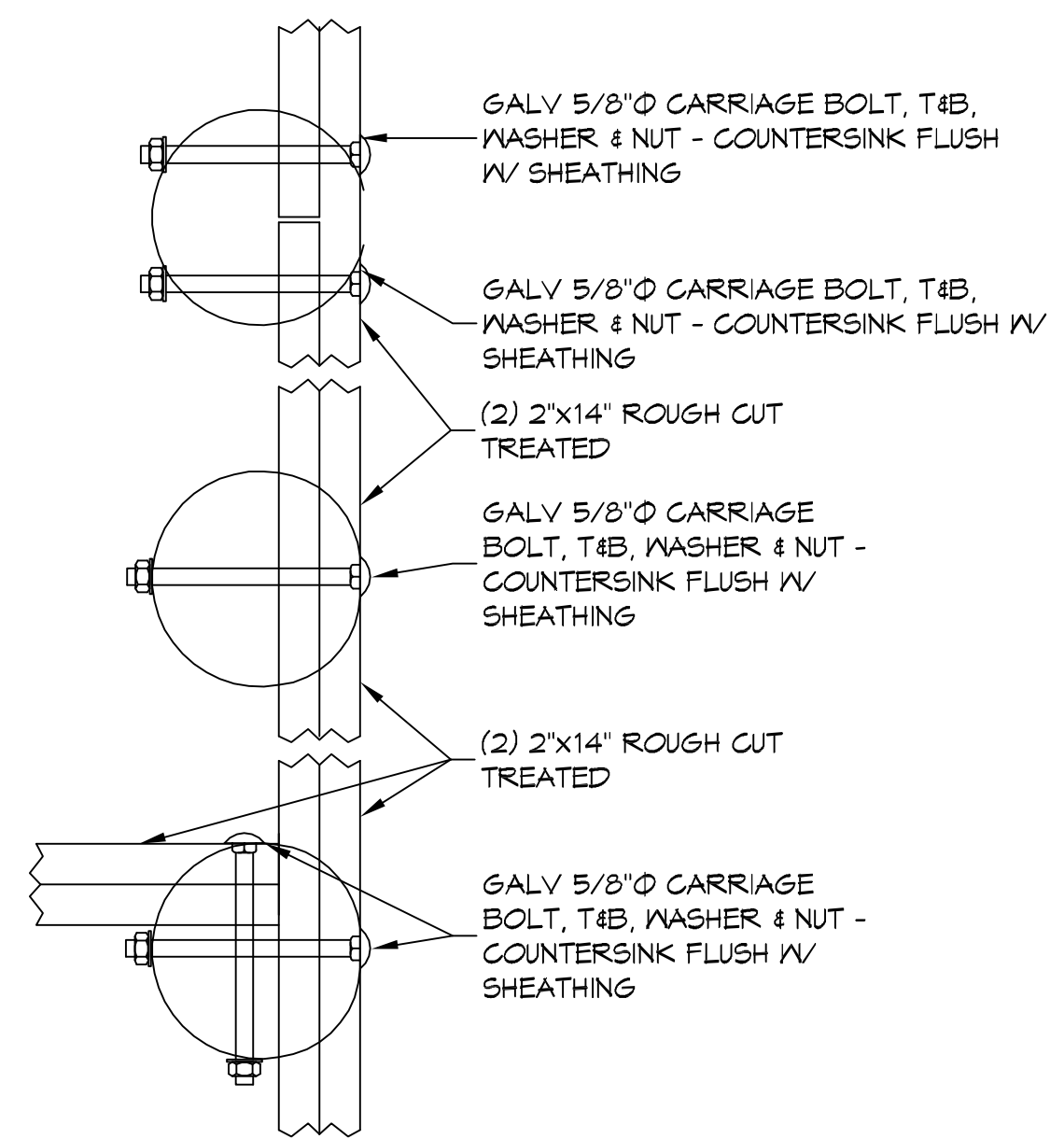
1. ALL LUMBER SHALL BE PRESSURE TREATED WITH A RETENTION OF .4 PER C.F.
2. ALL FASTENERS SHALL BE HOT DIPPED GALVANIZED (HDG) PER ASTM A153.
3. ALL CONNECTORS SHALL BE HDG PER ASTM A653, CLASS G185 SHEET WITH 1.85 OZ/SF ZINC COATING.

**DAMMON**  
**ENGINEERING, INC.**  
 LOUISIANA & MISSISSIPPI  
 www.dammonengineering.com  
 info@dammonengineering.com  
 PH: 985.649.5523

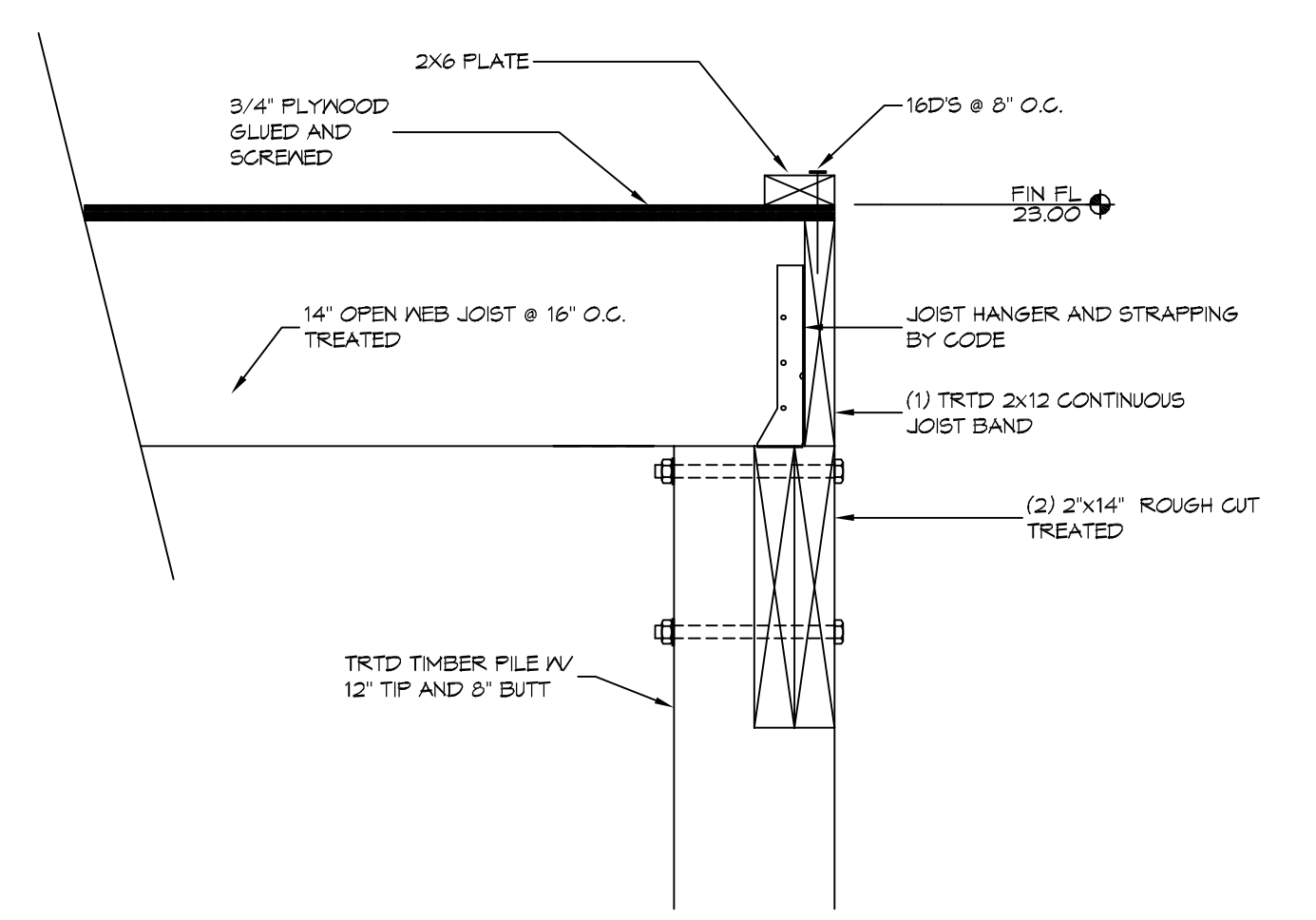
Chief Engineer: Brian Mestich, PE  
 556 Old Spanish Trail  
 Slidell, LA 70458



**1 PILING PLAN**  
SCALE: 1/4" = 1'-0"

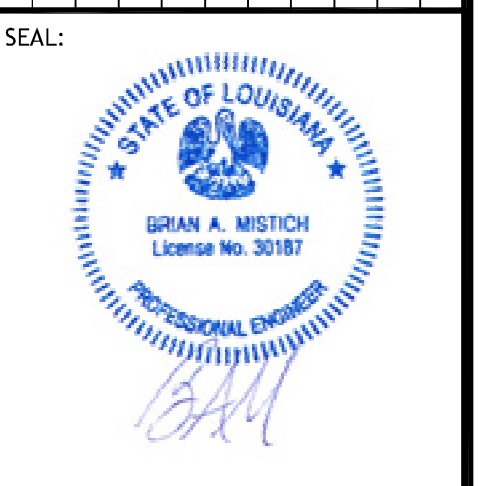


**DETAIL**  
SCALE: 1-1/2" = 1'-0" PERIMETER BAND



**DETAIL**  
SCALE: 1-1/2" = 1'-0" PERIMETER JOIST BAND

| REVISIONS | DATE | DESCRIPTION |
|-----------|------|-------------|
|           |      |             |
|           |      |             |
|           |      |             |
|           |      |             |



**STRUCTURAL DWGS**  
**ERIK MOLLERBERG**  
 2131 FT. BEAUREGARD BLVD  
 ST. BERNARD PARISH, LOUISIANA 70095  
 JOB No: 2021 DATE: 05-11-2021  
 DRAWN BY: CAD CHECKED BY:

SHEET TITLE:  
**PILING PLAN**

DRAWING NUMBER:  
**S101**  
 SHEET No: 1 of 3