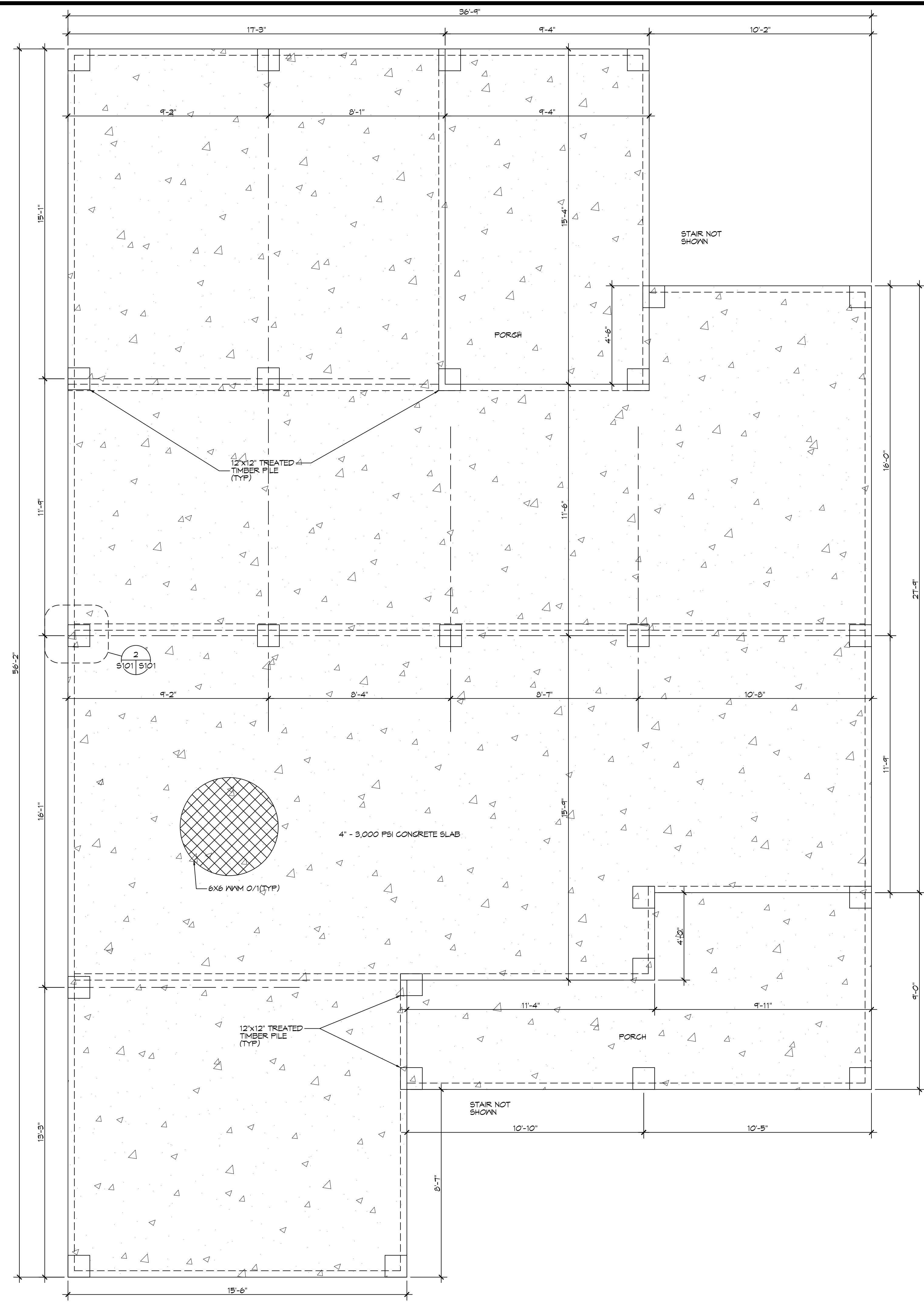


FILE NAME: C:\Users\jacob\OneDrive\Documents\Projects\1101\1101.dwg  
 PLOT DATE: 10/25/2023 11:21:14 AM  
 PLOT SCALE: 3/8" = 1'-0"



**1** **TIMBER PILE PLAN**  
SCALE: 3/8" = 1'-0"

**PILING NOTES**

1. ALL TIMBER PILES SHALL BE PRESSURE-TREATED SQUARE TIMBER PILES CONFORMING TO ASTM D25.
2. DESIGN LOAD = 5 TONS PER PILE.
3. NO FIELD SUPERVISION OR INSPECTION PROVIDED UNDER THIS SEAL UNLESS OTHERWISE NOTED.
4. TIMBER PILE LAYOUT MAY BE MODIFIED DUE TO ACTUAL DRIVING CONDITIONS. ENGINEER TO BE NOTIFIED ON ANY MODIFICATION.
5. A PILE BLOW COUNT LOG OF ALL PILES IS TO BE SUBMITTED TO THE ENGINEER OF RECORD. FAILURE TO SUBMIT SAID LOG WILL RELEASE THE ENGINEER OF ALL RESPONSIBILITY.
6. CONTRACTOR IS RESPONSIBLE FOR THE COMPARISON & VERIFICATION OF PILE LAYOUT DIMENSIONS WITH MOST RECENT ARCHITECTURAL DRAWINGS, ASSURING THAT PILES DO FALL WITHIN LIMITS OF THE DESIGN.
7. BRACE ALL PILING AS NEEDED FOR SWAYING.
8. FIELD VERIFY DIMENSIONS AGAINST THE ARCHITECTURAL DRAWINGS.
9. WRAP ALL PILING AT BASE LINE.

**GENERAL NOTES**

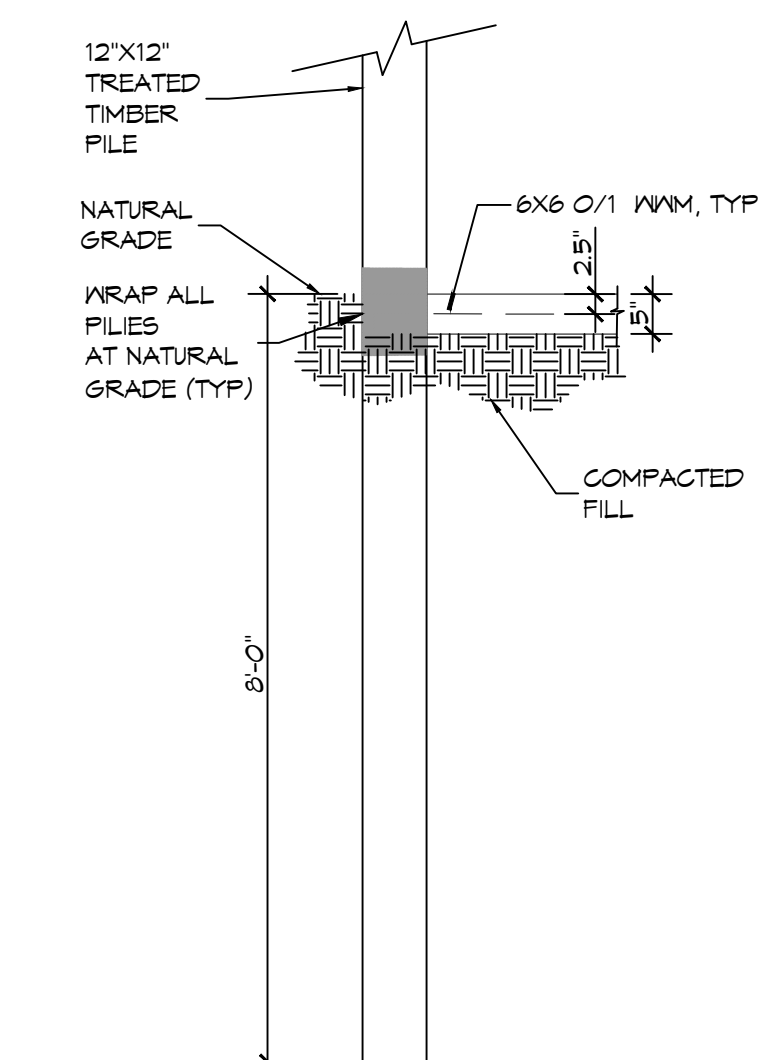
1. ALL LUMBER SHALL BE PRESSURE TREATED WITH A RETENTION OF .4 PER C.F.
2. ALL FASTENERS SHALL BE HOT DIPPED GALVANIZED (HDG) PER ASTM A153.
3. ALL CONNECTORS SHALL BE HDG PER ASTM A653, CLASS G105 SHEET WITH 1.05 OZ/SF ZINC COATING.

**GENERAL FOUNDATION NOTES**

1. ALL DIMENSIONS ARE EDGE OF CONCRETE (EOC) TO EDGE OF CONCRETE (EOC) UNLESS NOTED OTHERWISE.
2. VERIFY ALL PLUMBING ROUGH-IN LOCATIONS ON ARCHITECTURAL DWGS.
3. CONCRETE MIX SHALL HAVE A MINIMUM COMPRESSIVE STRENGTH OF 4000 PSI AT 28 DAYS. CONCRETE MIX SHALL BE IN ACCORDANCE WITH ACI-318.
4. ALL CONVENTIONAL REINFORCING STEEL SHALL MEET ASTM-A615 (GRADE 60).
5. ONE LAYER OF POLYETHYLENE VAPOR BARRIER SHALL BE PLACED UNDER ALL CONCRETE. VAPOR RETARDER TO BE MINIMUM 10 MIL THICKNESS; ASTM E 1745 CLASS A, PERMEANCE LESS THAN 0.01 PERMS, EQUAL TO STEGO INDUSTRIES STEGO WRAP, EGOSHIELD-E 15 MIL BY EPRO, OR IRONBAR 15 BY FLATIRON FILMS. PROVIDE APPROPRIATE ACCESSORIES FOR A COMPLETE SYSTEM.
6. ALL MESH SHALL BE SECURELY SUPPORTED TO PREVENT BOTH VERTICAL AND HORIZONTAL MOVEMENT DURING CONCRETE PLACEMENT.
7. THE CONTRACTOR SHALL VERIFY ALL DROPS, OFFSETS, BRICK LEDGES, DIMENSIONS AND CONFIGURATIONS. CONTRACTOR MUST BE RESPONSIBLE FOR SAME. SEE ARCHITECTURAL DRAWINGS.
8. ALL TREES WITHIN CLOSE PROXIMITY SHALL BE REMOVED TO PREVENT THE ROOTS FROM EXTENDING UNDER THE SLAB.
9. FILL, AS A MINIMUM QUALITY, SHALL BE 40% CLAY AND 60% SANDY MIXTURE, PLACED IN 6" LIFTS AND COMPACTED TO A MINIMUM OF 95% STANDARD PROCTOR. FOOTINGS ARE DESIGNED TO USE SOIL WITH A BEARING CAPACITY OF 2000 LBS. PER SQUARE FOOT OR MORE. IT IS RECOMMENDED THAT THE OWNER VERIFY ALLOWABLE SOIL BEARING CAPACITY BY CONTRACTING THE SERVICES OF A SOILS ENGINEERING COMPANY.
10. ALL RUNOFF WATER MUST BE CARRIED AWAY FROM THE SLAB TO PREVENT SATURATION OF THE SUB-BASE FOREVER.
11. ALL SOIL BELOW SLAB SHALL RECEIVE TERMITE TREATMENT.

**DAMMON ENGINEERING, INC.**  
 LOUISIANA & MISSISSIPPI  
 www.dammonengineering.com  
 info@dammonengineering.com  
 PH: 985.649.9832  
 Chief Engineer: Brian Mistich, PE  
 554 Old Spanish Trail  
 Slidell, LA 70458

#	DESCRIPTION	DATE



**2** **DETAIL**  
SCALE: 1/2" = 1'-0"

**FRED RICHARDSON**  
 FOUNDATION  
 SHEET TITLE:  
 TIMBER PILE &  
 FOUNDATION PLAN  
 DRAWING NUMBER:  
**S101**  
 SHEET No: 1 of 1

DATE: 10-25-2023  
 DRAWN BY: BAW  
 CHECKED BY: CKD