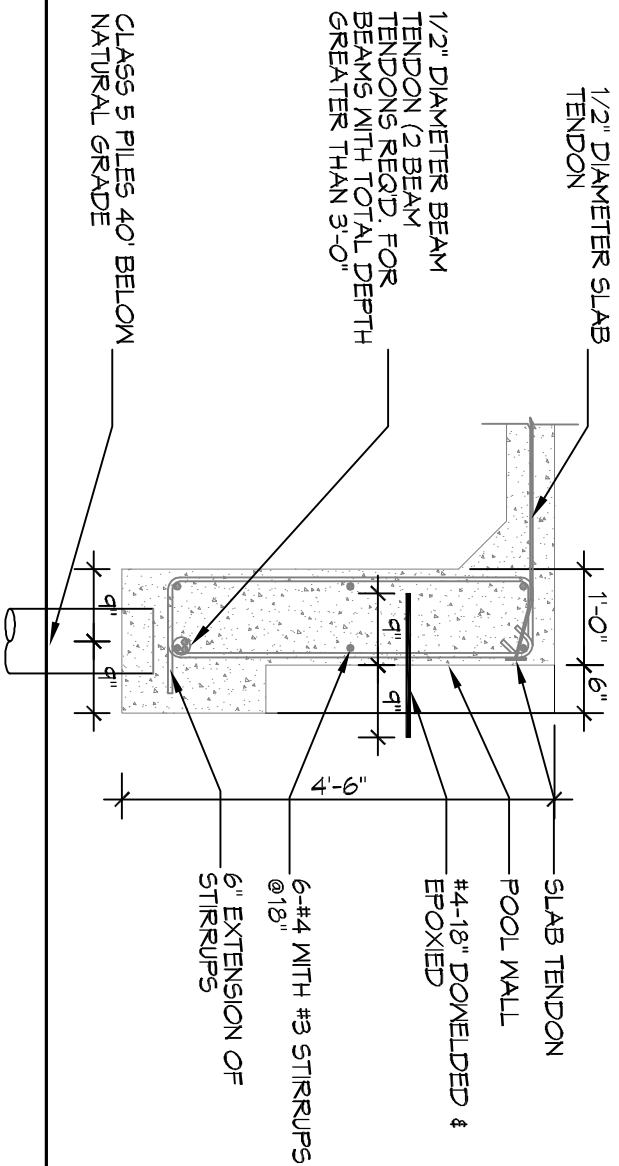
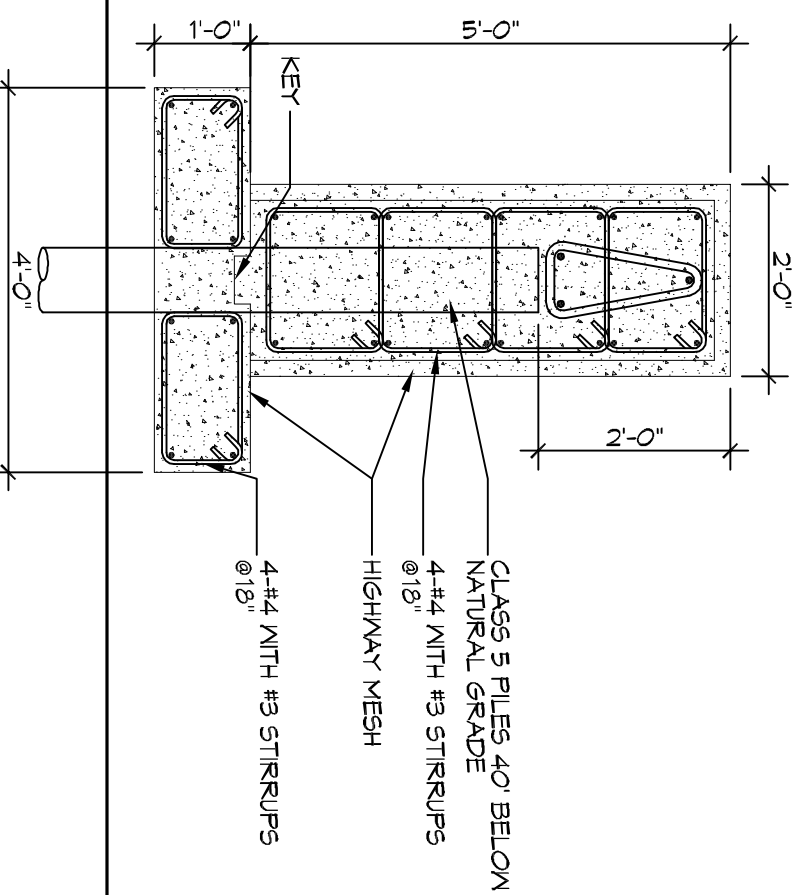


C
SECTION
SCALE: 1/2" = 1'-0"



B
SECTION
SCALE: 1/2" = 1'-0"



A
SECTION
SCALE: 1/2" = 1'-0"



NEW ADDITION FOUNDATION	
GARY MARTINEZ	
LOT 144, CLIPPER ESTATES SLIDELL, LA	
JOB #:	2019
DATE:	06/12/2019
DRAWN BY:	CKD/JAW
CHECKED BY:	BAM



DAMMON
ENGINEERING, INC.
554 Old Spanish Trail Slidell, LA 70458 (985) 649-5832

CHIEF ENGINEER: BRIAN A. MISTICH, P.E.
554 OLD SPANISH TRAIL
SLIDELL, LA 70458

dammonengineering.com
info@dammonengineering.com
PHONE: 985-649-5832

S102