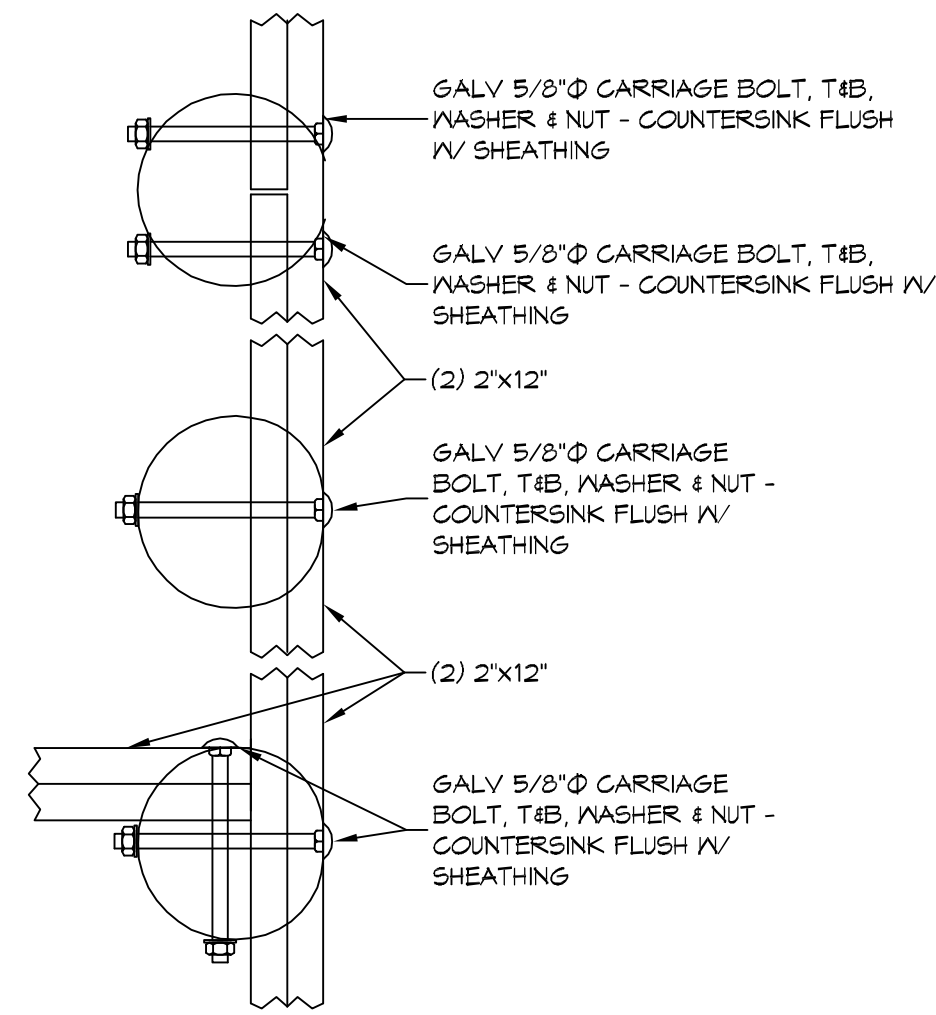
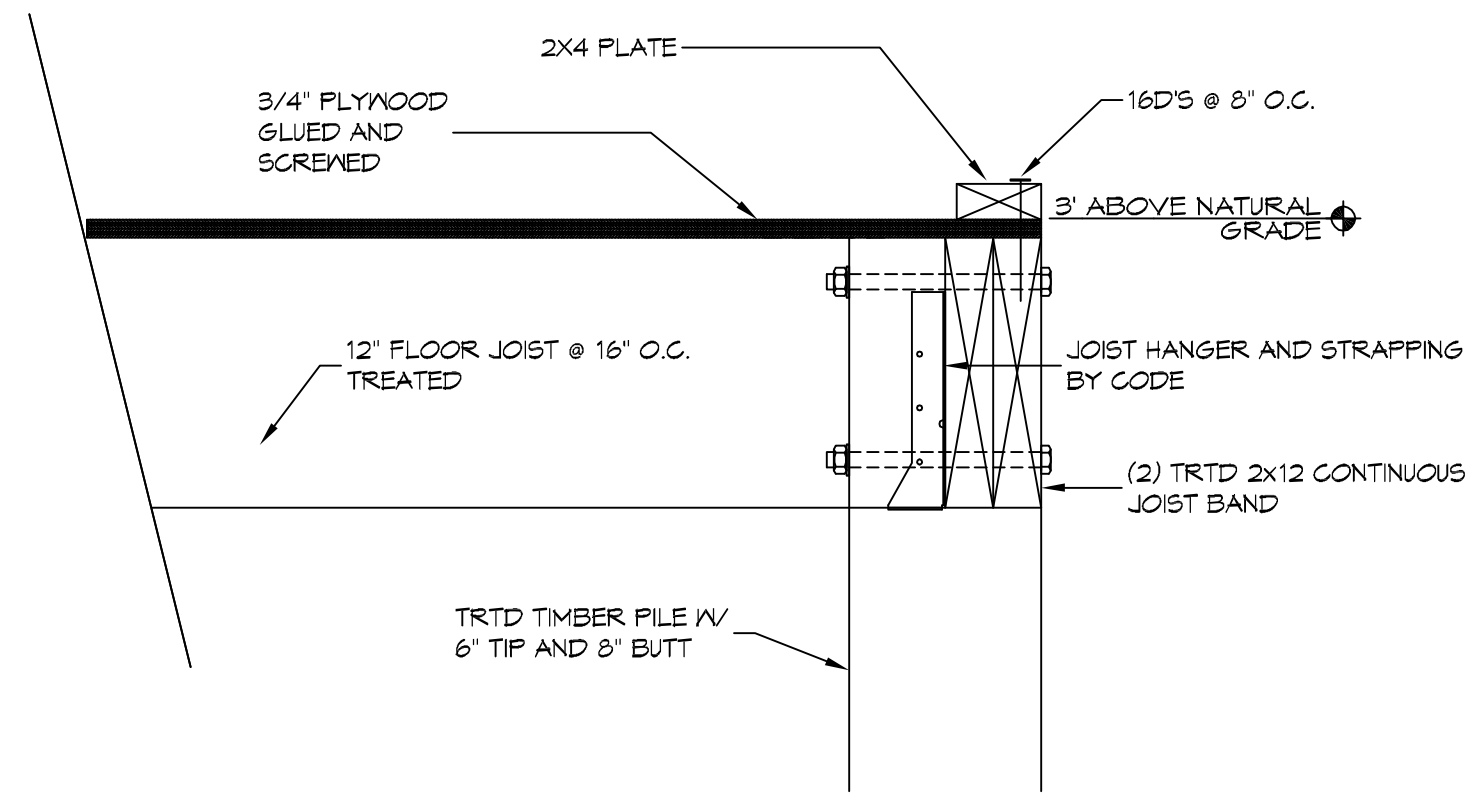


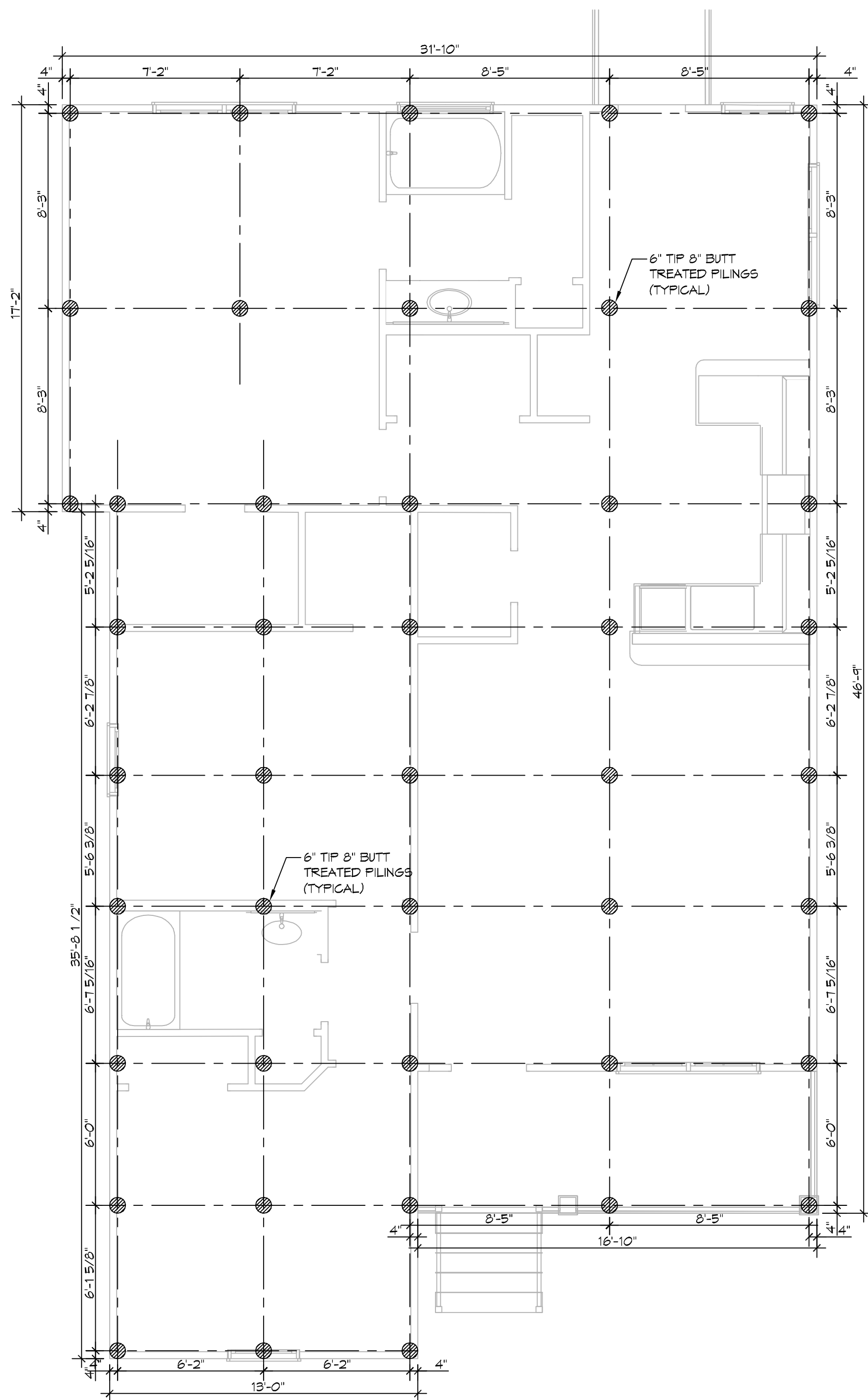
FILE NAME: J:\1 - Foundation of St. Bernard Church 13 - Army Support Center Drawing\101 - Piling Drawing.rvt DATE: 8/1/2021 12:24:25 PM



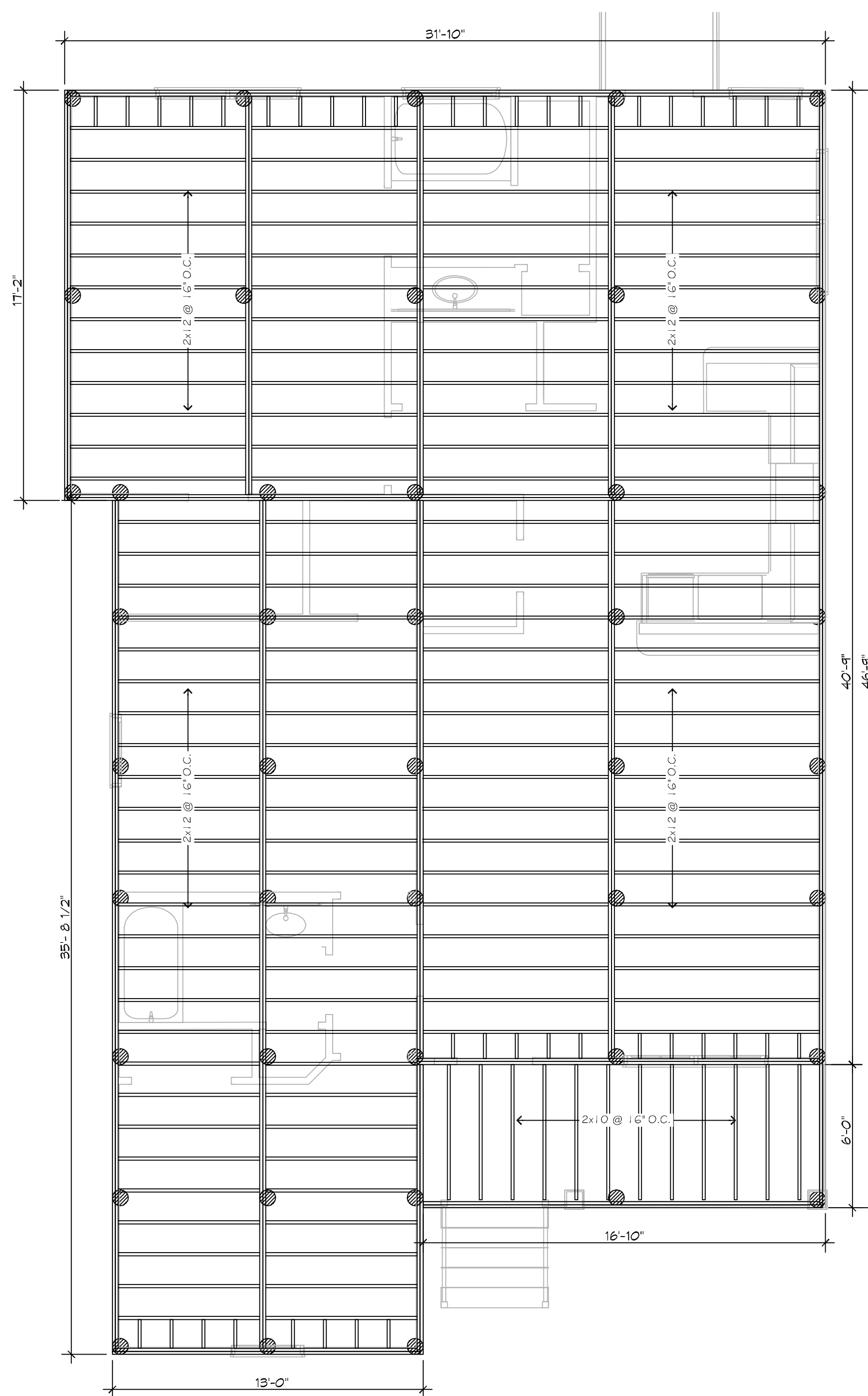
DETAIL
SCALE: 1-1/2" = 1'-0"
PERIMETER JOIST BAND PLAN VIEW



DETAIL
SCALE: 1-1/2" = 1'-0"
PERIMETER JOIST BAND SECTION



1 PILING PLAN
SCALE: 1/4" = 1'-0"



2 FLOOR JOIST PLAN
SCALE: 1/4" = 1'-0"

PILING NOTES

1. PILES ARE TO BE TREATED, PILES ARE TO BE 30 FT. IN LENGTH WITH A 6 INCH TIP AND 8\"/>
- 2. DESIGN LOAD = 5 TONS PER PILE OR TO REFUSAL.
- 3. NO FIELD SUPERVISION OR INSPECTION PROVIDED UNDER THIS SEAL UNLESS OTHERWISE NOTED.
- 4. PILE LAYOUT MAY BE MODIFIED DUE TO ACTUAL DRIVING CONDITIONS. ENGINEER TO BE NOTIFIED ON ANY MODIFICATION.
- 5. THIS PILE SUPPORTED FOUNDATION IS DESIGNED TO MEET THE GENERAL SOIL CONDITIONS OF THE AREA OF WORK. THE CONTRACTOR OR OWNER IS ADVISED THAT A SOIL ANALYSIS SHOULD BE MADE TO CONFIRM THE DESIGN.
- 6. A PILE BLOW COUNT LOG OF ALL PILES IS TO BE SUBMITTED TO THE ENGINEER OF RECORD. FAILURE TO SUBMIT SAID LOG WILL RELEASE THE ENGINEER OF ALL RESPONSIBILITY.
- 7. CONTRACTOR IS RESPONSIBLE FOR THE COMPARISON & VERIFICATION OF PILE LAYOUT DIMENSIONS WITH MOST RECENT ARCHITECTURAL DRAWINGS, ASSURING THAT PILES DO FALL WITHIN LIMITS OF THE DESIGN.
- 8. FILL, AS A MINIMUM QUALITY, SHALL BE 40% CLAY AND 60% SANDY MIXTURE, PLACED IN 6\"/>
- 9. ALL SOIL BELOW SLAB SHALL RECEIVE TERMITE TREATMENT.

GENERAL NOTES

1. ALL LUMBER SHALL BE PRESSURE TREATED WITH A RETENTION OF .4 PER C.F.
2. ALL FASTENERS SHALL BE HOT DIPPED GALVANIZED (HDG) PER ASTM A153.
3. ALL CONNECTORS SHALL BE HDG PER ASTM A653, CLASS G185 SHEET WITH 1.85 OZ/SF ZINC COATING.

DESIGN CRITERIA

THE CONSTRUCTION FOR SAID RESIDENCE, WHERE BASIC WIND SPEED IS 130 MILES PER HOUR, WIND EXPOSURE ZONE C, IS DESIGNED IN ACCORDANCE WITH: AMERICAN FOREST AND PAPER ASSOCIATION (AF&PA) WOOD FRAME CONSTRUCTION MANUAL FOR ONE AND TWO FAMILY DWELLINGS (MFCM) 2001 EDITION AS WELL AS THE INTERNATIONAL RESIDENTIAL CODE (IRC) 2015 EDITION

DAMMON
ENGINEERING, INC.
LOUISIANA & MISSISSIPPI

www.dammonengineering.com
info@dammonengineering.com
Chief Engineer: Brian Mistich, PE
554 Old Spanish Trail
Slidell, LA 70668
PH: 985.640.5832

REVISIONS	DATE	DESCRIPTION



STRUCTURAL DINGS
CONSTRUCTION

LOT 194, BARRE STREET
SLIDELL, LA 70461
JOB NO: 2021 DATE: 07-01-2021
DRAWN BY: CKD CHECKED BY: CKD

SHEET TITLE:
PILING & FLOOR JOIST
PLAN

DRAWING NUMBER:
S101